



US00D373782S

United States Patent [19] Shelton

[11] Patent Number: **Des. 373,782**

[45] Date of Patent: ****Sep. 17, 1996**

[54] **SUNGLASS CLIP MECHANISM**
[75] Inventor: **Robert Shelton**, Princeton, Mass.

[73] Assignee: **International Polarizer, Inc.**,
Marlborough, Mass.

[**] Term: **14 Years**

[21] Appl. No.: **22,216**

[22] Filed: **May 2, 1994**

[52] U.S. Cl. **D16/332; D16/900; D16/334**

[58] Field of Search **D16/101, 309,
D16/311, 314, 330, 335, 336, 339, 900;
351/48, 58, 59, 111, 119, 121, 123, 157,
158, 208**

[56] **References Cited**

U.S. PATENT DOCUMENTS

D. 194,994	4/1963	Ruano	D16/900
D. 301,250	5/1989	Stephens	D16/900
D. 336,308	6/1993	Shelton	D16/900
D. 350,359	9/1994	Friedman	D16/900
2,953,968	9/1960	Hoffmaster	351/48

3,010,364	11/1961	Lindblom	351/48
3,575,497	4/1971	Leblanc	351/48
3,876,295	4/1975	Loughner	351/48

Primary Examiner—Prabhakar G. Deshmukh
Assistant Examiner—R. Barkai
Attorney, Agent, or Firm—Tatsuya Ikeda

[57] **CLAIM**

The ornamental design for a sunglass clip mechanism, as shown and described.

DESCRIPTION

FIG. 1 is a right front perspective view of a sunglass clip mechanism showing my new design, the broken line showing of the lenses is for illustrative purposes only and forms no part of the claimed design;
FIG. 2 is a top elevational view thereof;
FIG. 3 is a right side elevational view thereof;
FIG. 4 is a left side elevational view thereof;
FIG. 5 is a front elevational view thereof;
FIG. 6 is a back elevational view thereof; and,
FIG. 7 is a bottom elevation view thereof.

1 Claim, 7 Drawing Sheets

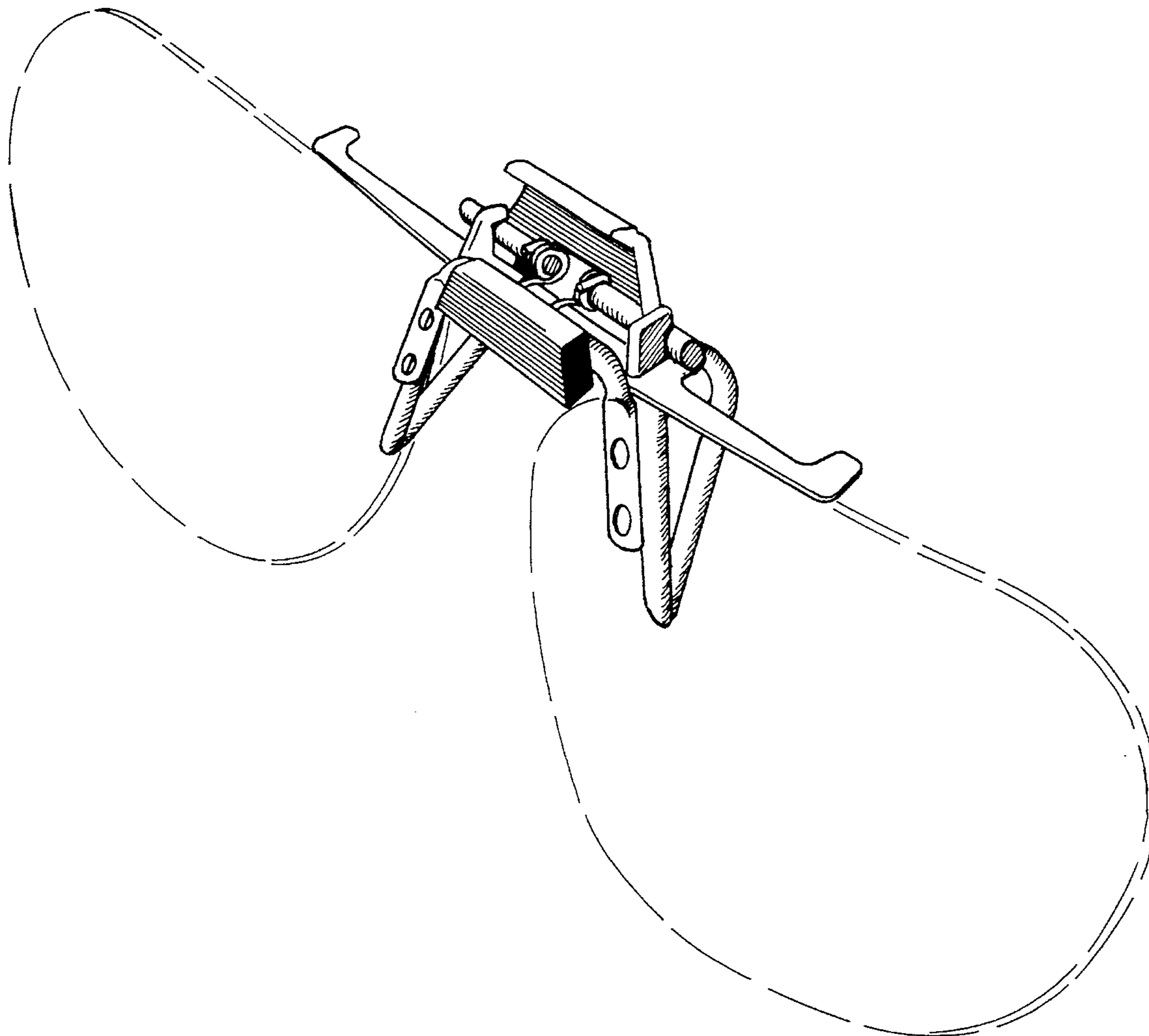


FIG. 1

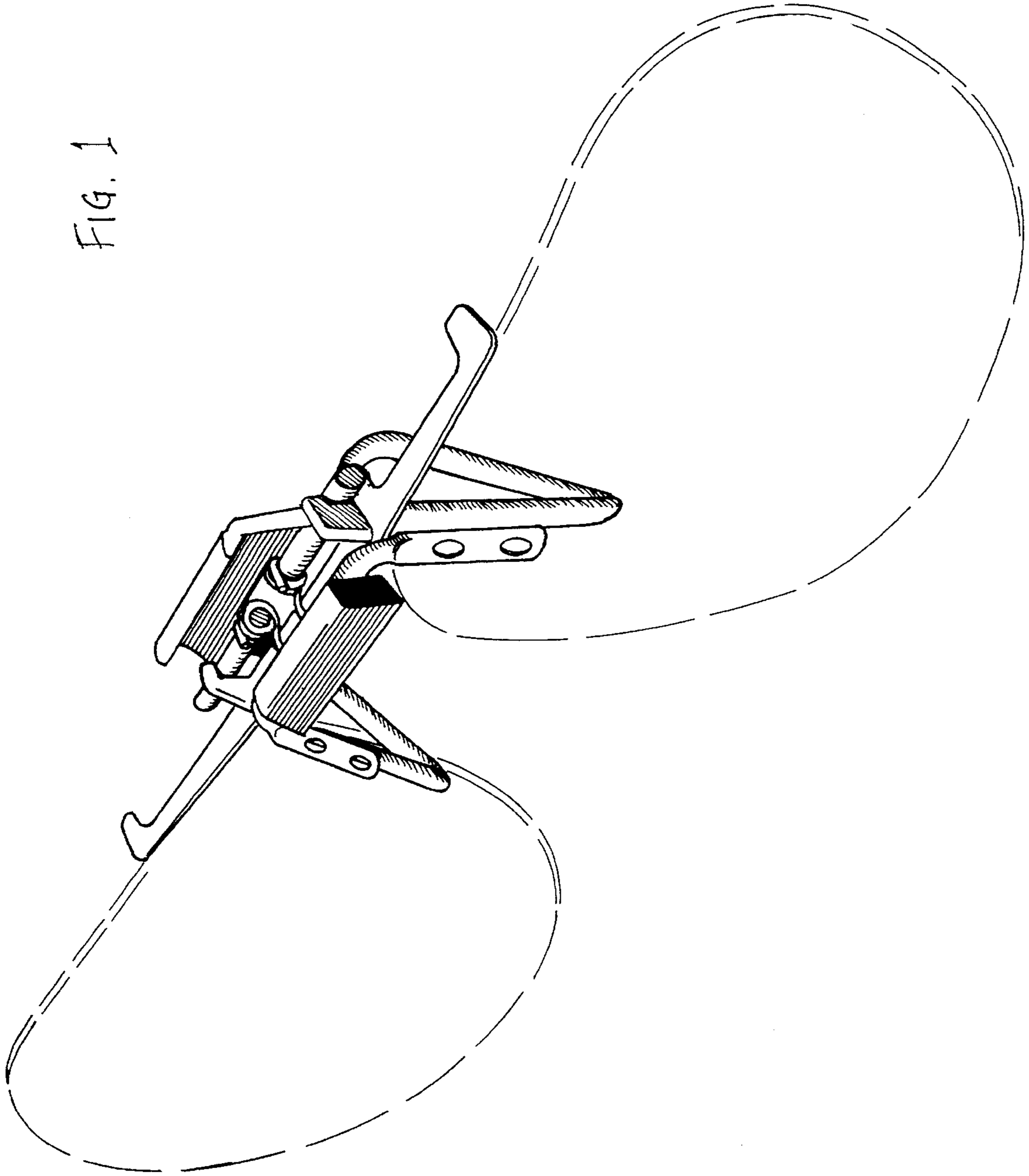


FIG 2

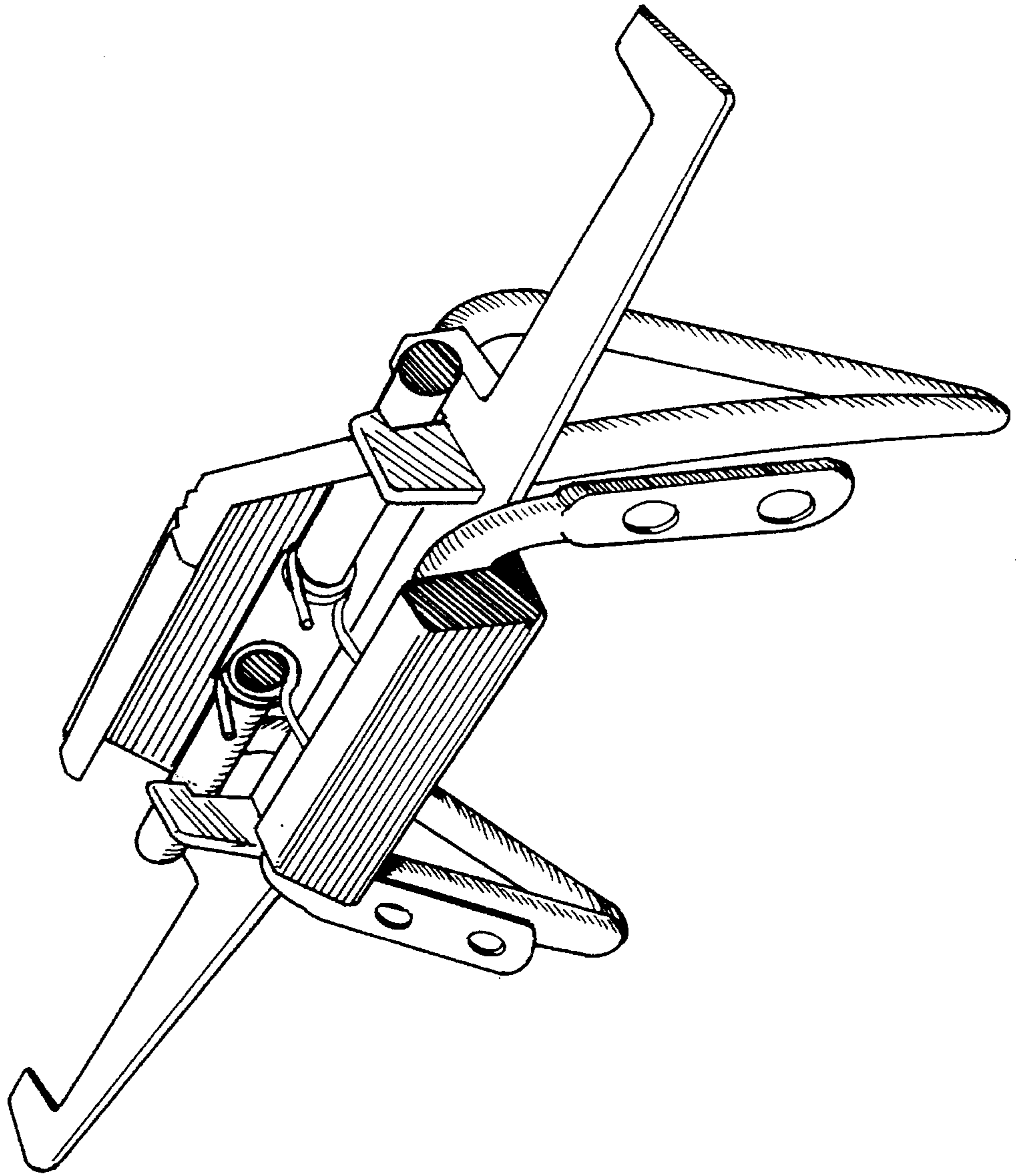


FIG. 3

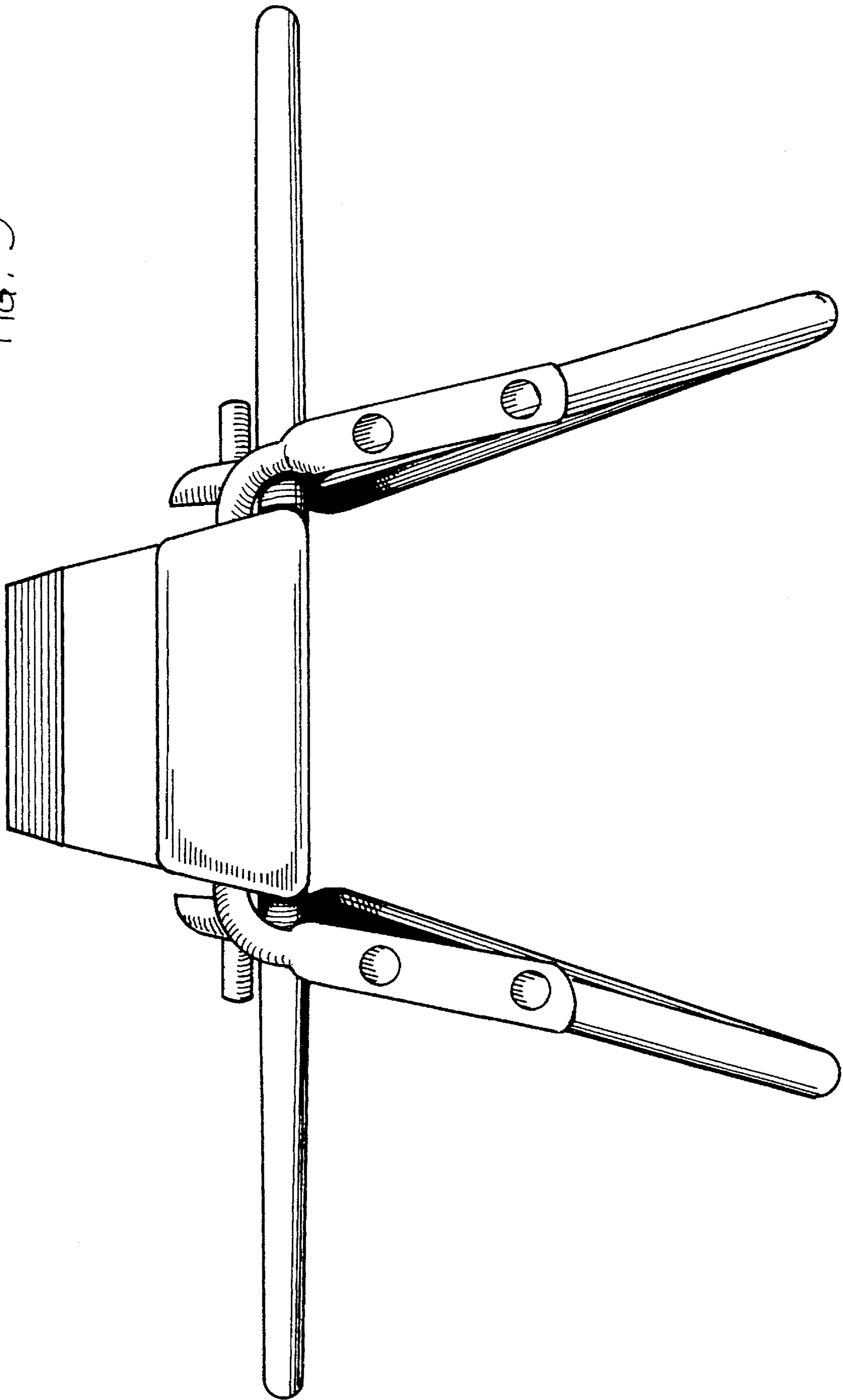


FIG 4

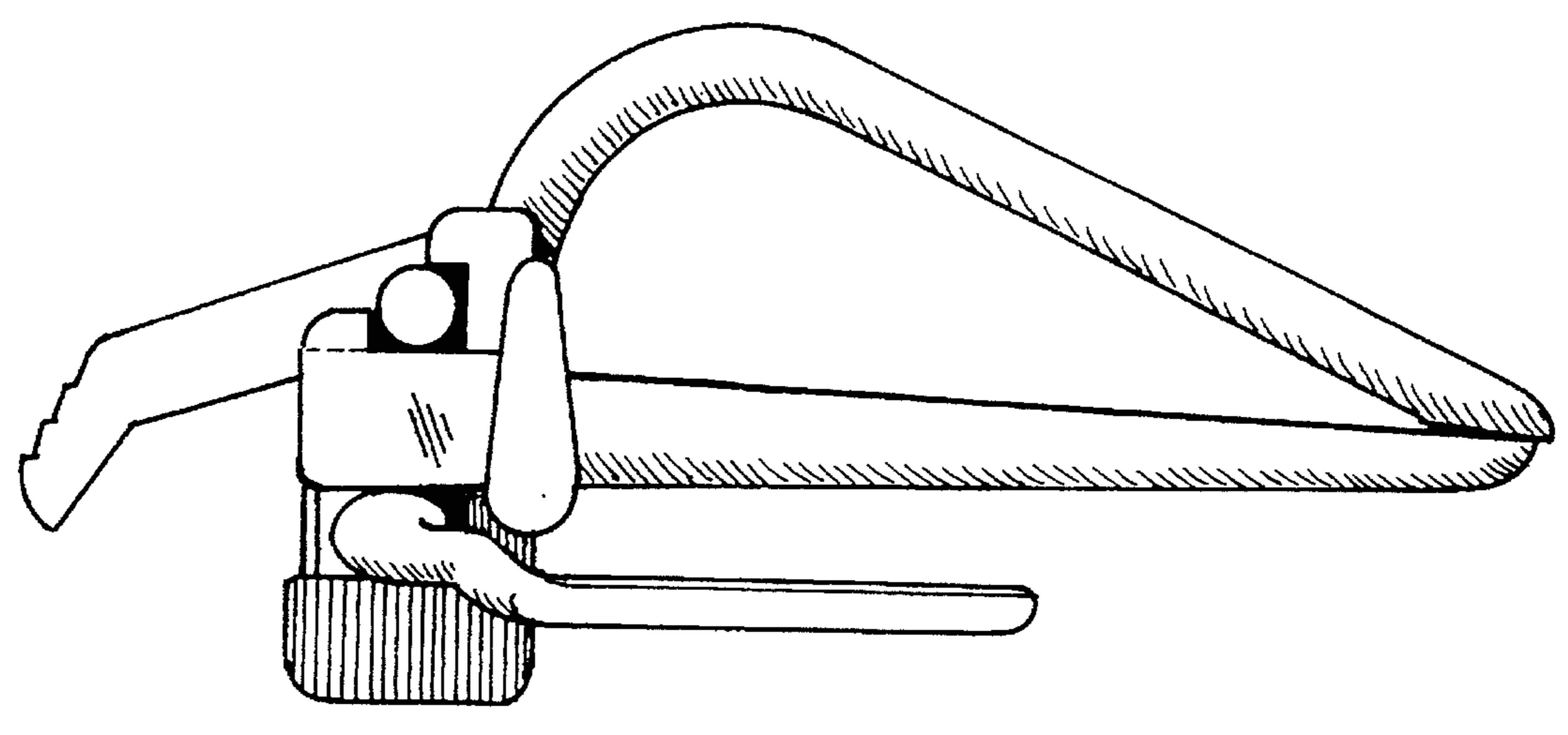


FIG. 5

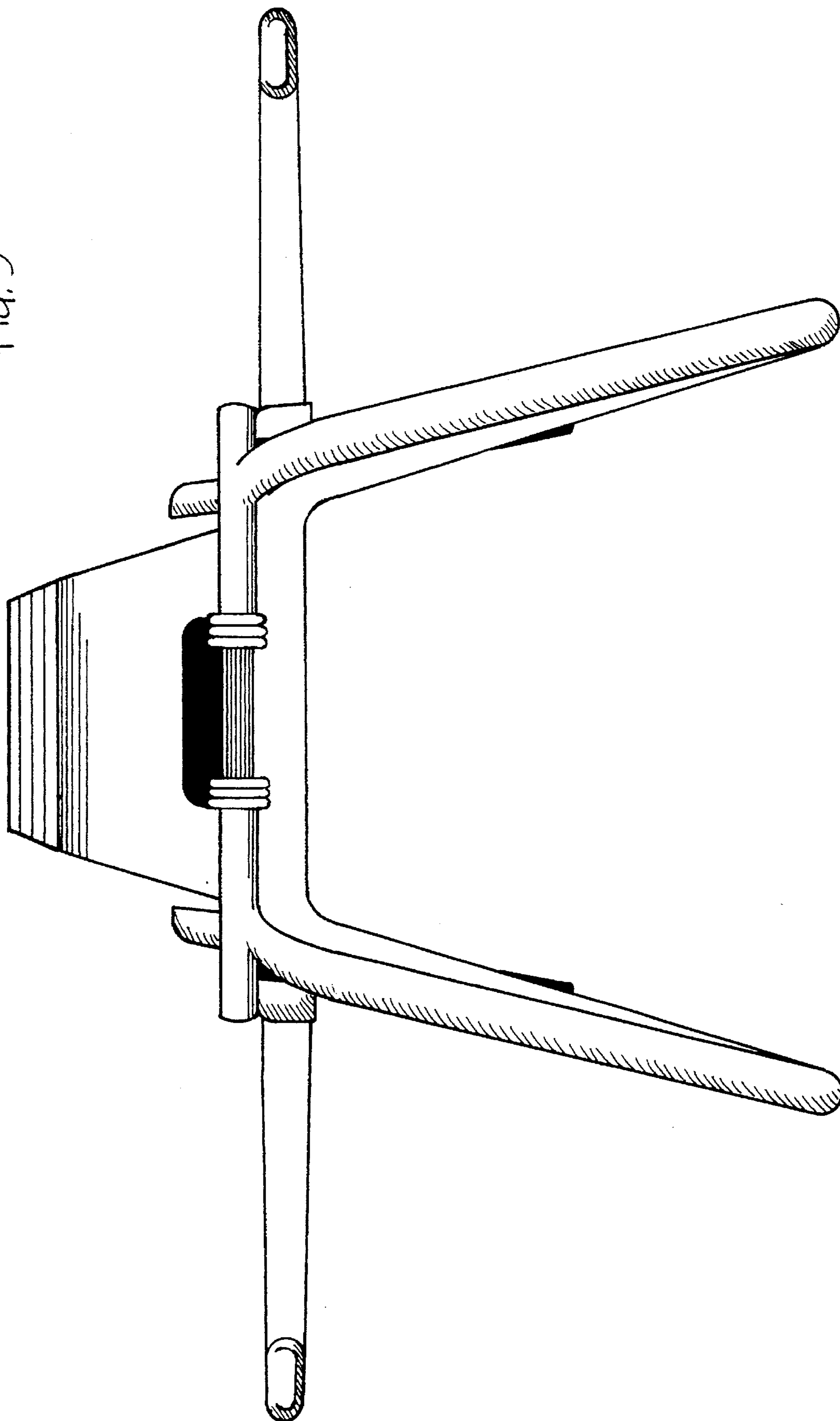


FIG. 6

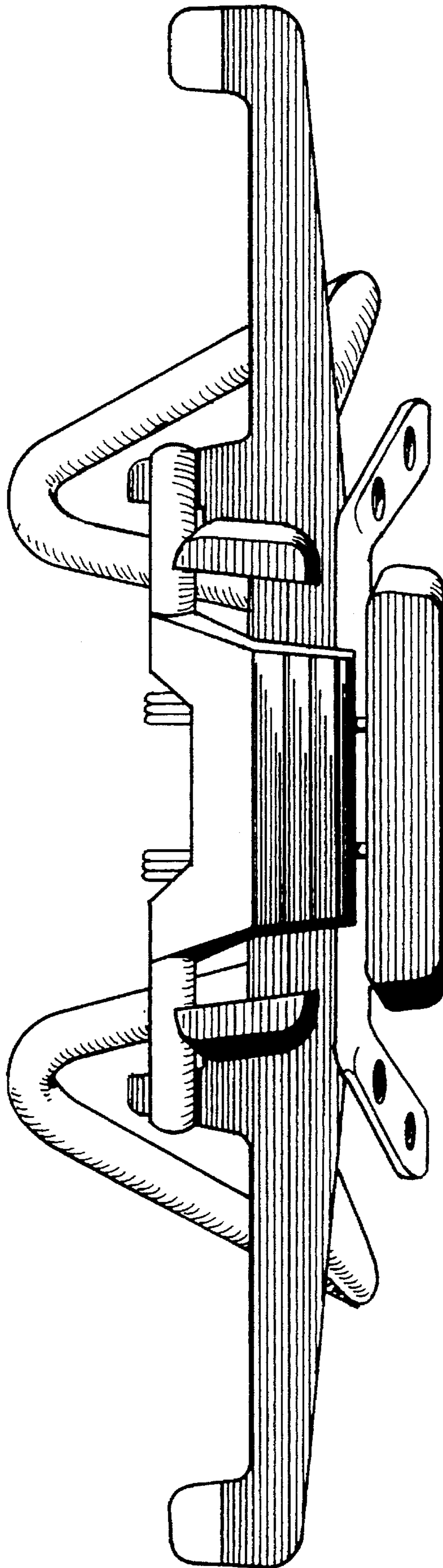


FIG. 7

