



US00D373778S

# United States Patent [19]

Fasciano et al.

[11] Patent Number: **Des. 373,778**

[45] Date of Patent: **\*\*Sep. 17, 1996**

[54] **COMBINED FRONT PANEL DISPLAY AND ASSOCIATED INPUT UNIT FOR A VIDEO CAMERA**

4,959,729 9/1990 Fukuda et al. .... 348/341  
5,189,520 2/1993 Okayasu et al. .... 348/376

### FOREIGN PATENT DOCUMENTS

[75] Inventors: **Peter Fasciano**, Natick; **Jim McKain**, Andover, both of Mass.

60-10898 1/1985 Japan ..... 345/172

[73] Assignee: **Avid Technology, Inc.**, Tewksbury, Mass.

*Primary Examiner*—Prabhakar G. Deshmukh  
*Assistant Examiner*—Adir Aronovich  
*Attorney, Agent, or Firm*—Wolf, Greenfield & Sacks, P.C.

[\*\*] Term: **14 Years**

### [57] CLAIM

[21] Appl. No.: **37,244**

The ornamental design for a combined front panel display and associated input unit for a video camera, as shown and described.

[22] Filed: **Apr. 7, 1995**

[52] U.S. Cl. .... **D16/219**; D14/113

### DESCRIPTION

[58] Field of Search ..... D14/113, 124-129;  
D16/208, 219, 220; 345/168, 172, 173;  
348/341, 373-376

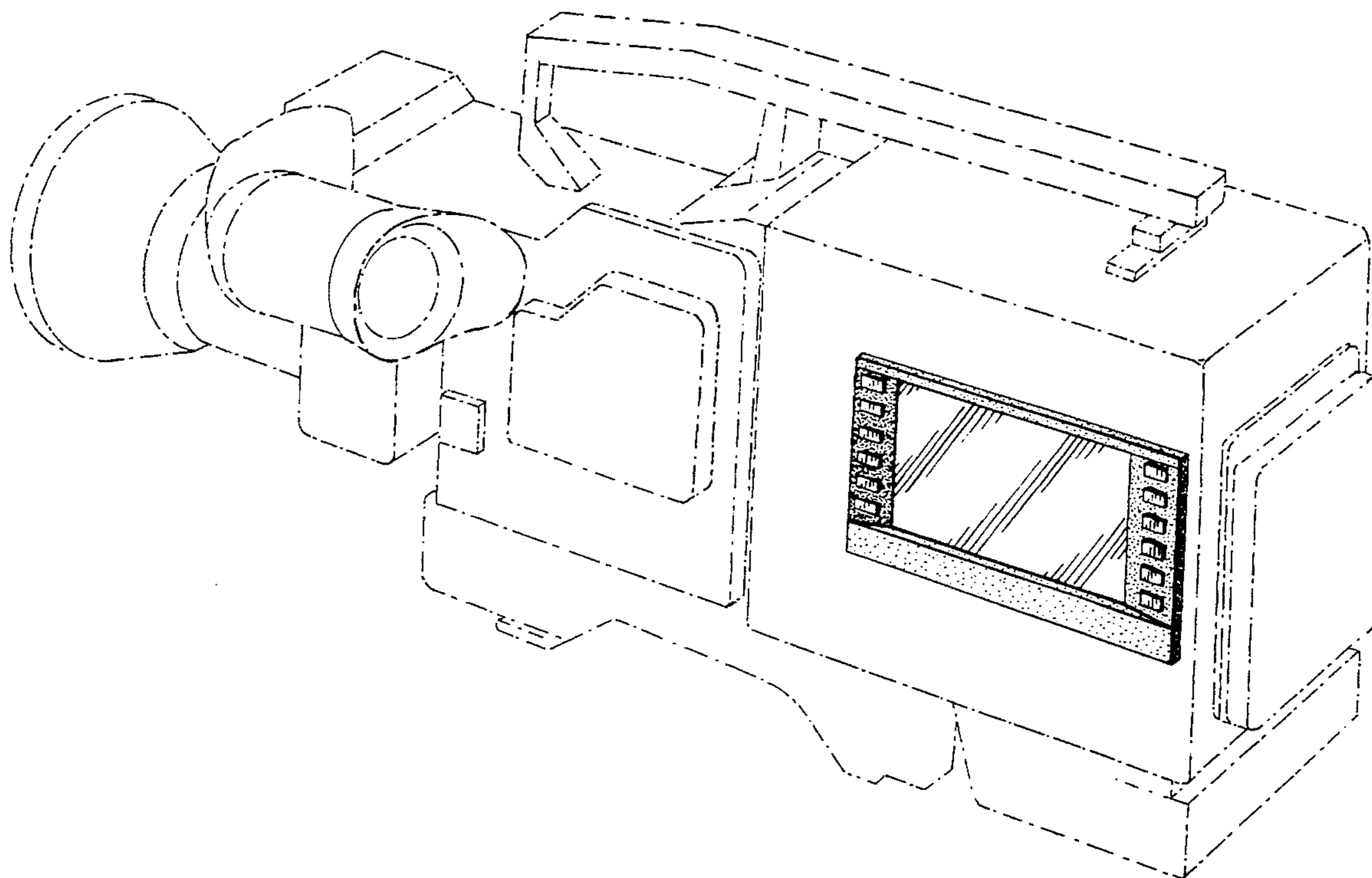
FIG. 1 is a perspective view of a combined front panel display and associated input unit for a video camera; FIG. 2 is an enlarged front elevational view thereof; FIG. 3 is a perspective view of a second embodiment of the combined front panel display an associated input unit for a video camera; and, FIG. 4 is an enlarged front elevational view thereof. The broken line showing of a video camera is for illustrative purposes only and forms no part of the claimed design.

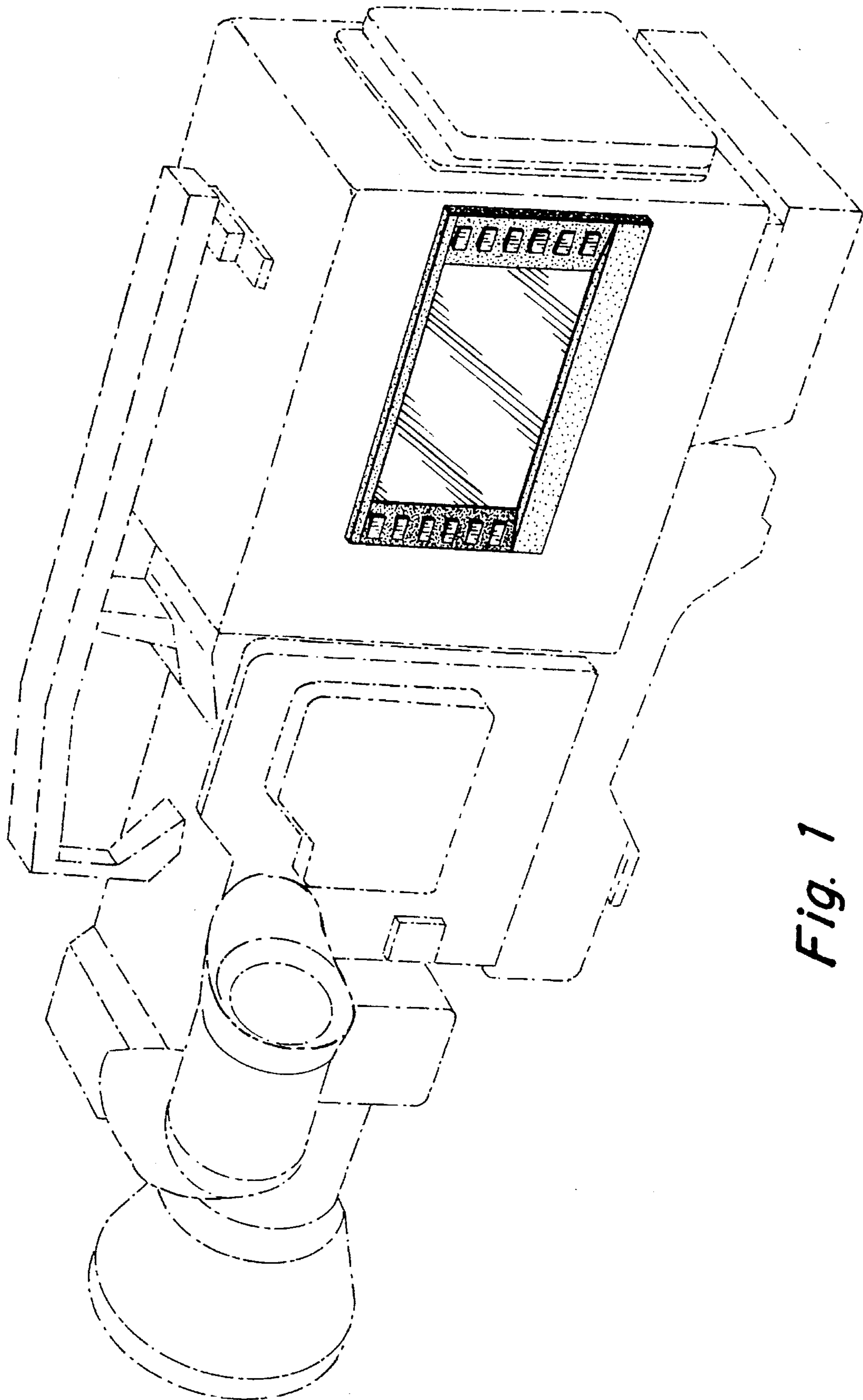
### [56] References Cited

#### U.S. PATENT DOCUMENTS

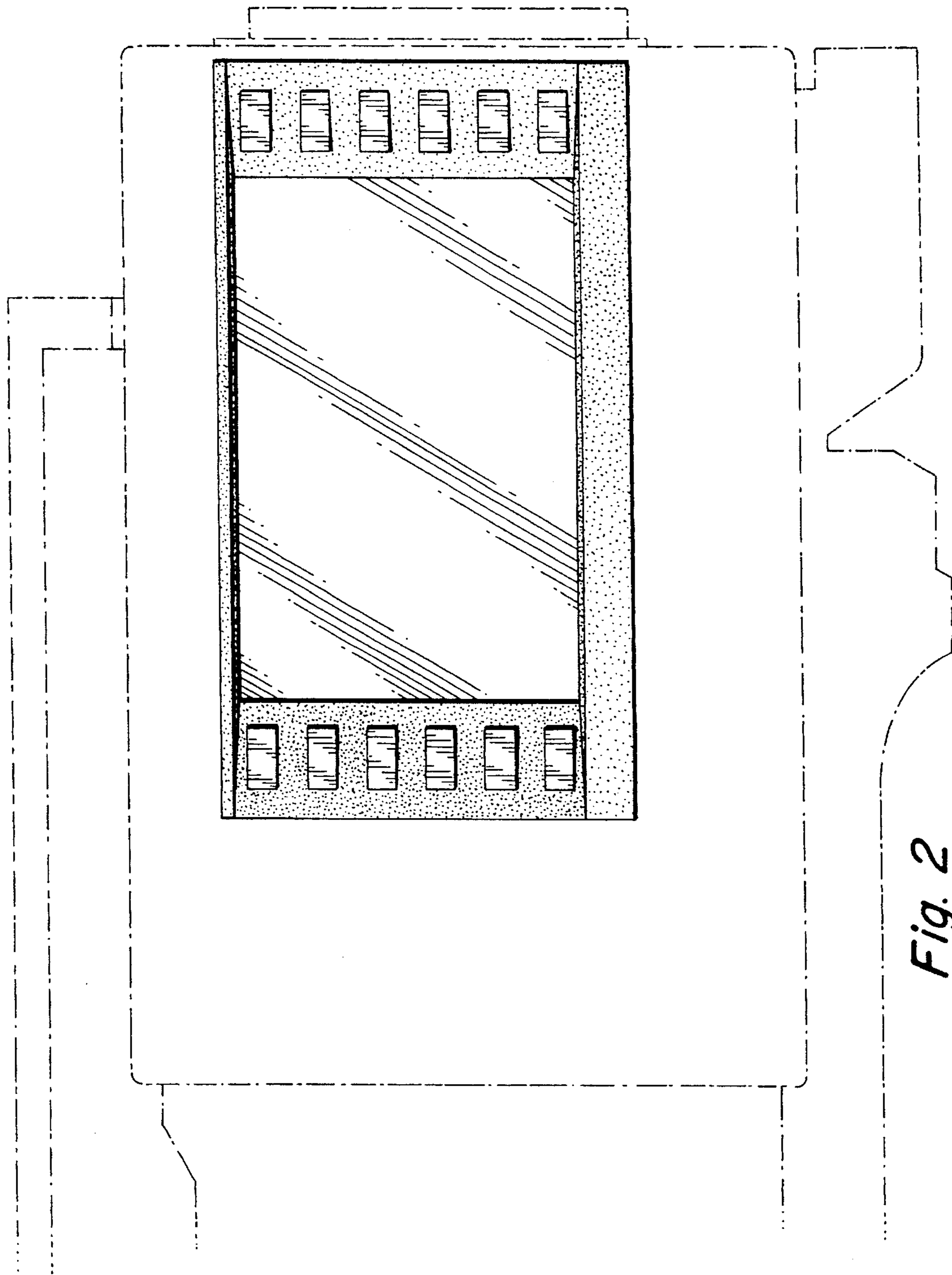
D. 124,324 12/1940 Mihalyi ..... D16/200  
D. 332,460 1/1993 Mohri ..... D16/219  
D. 345,350 3/1994 Germany et al. .... D14/113  
D. 363,467 10/1995 Takahashi ..... D14/113  
4,937,676 6/1990 Finelli et al. .... 348/375

**1 Claim, 4 Drawing Sheets**

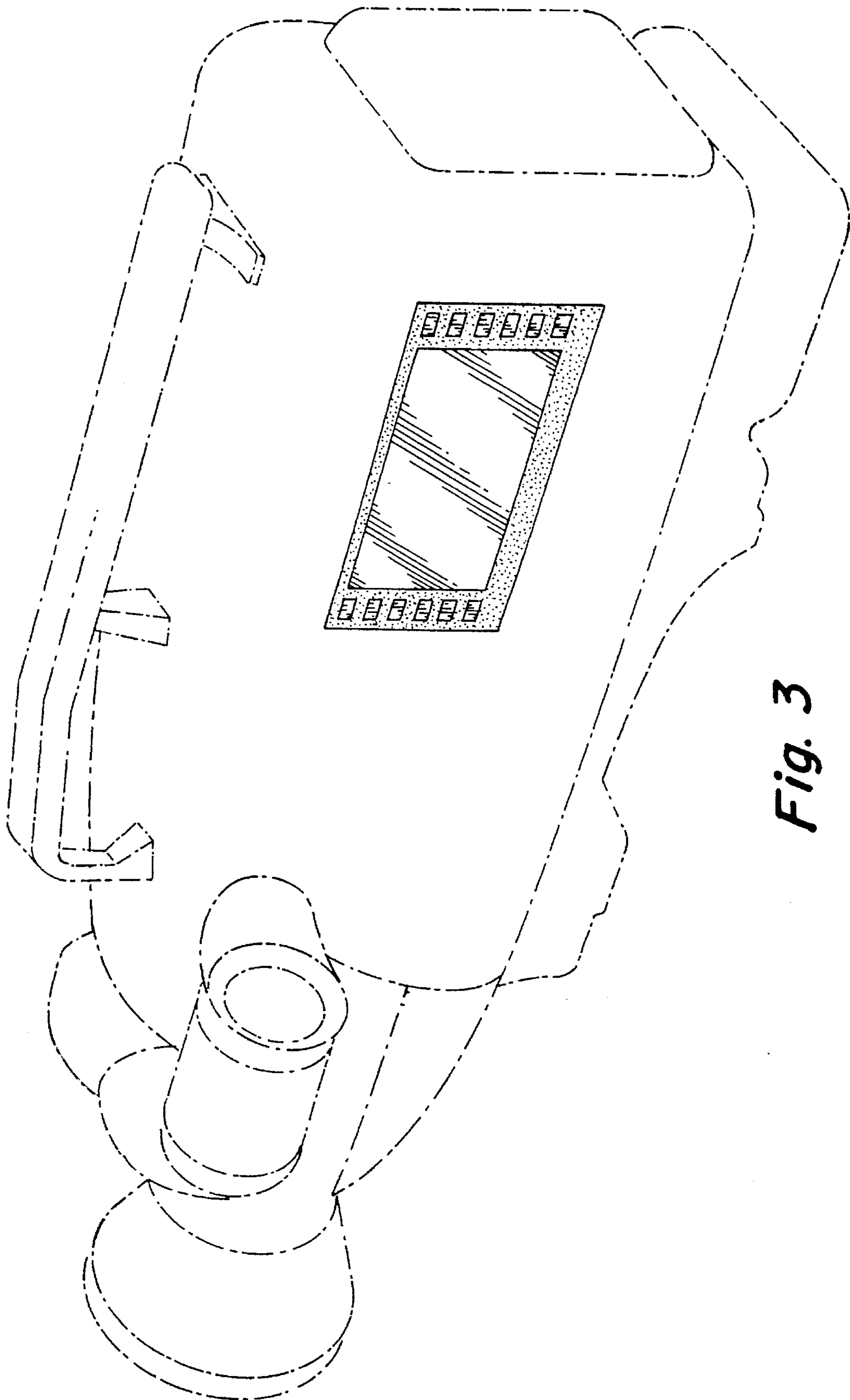




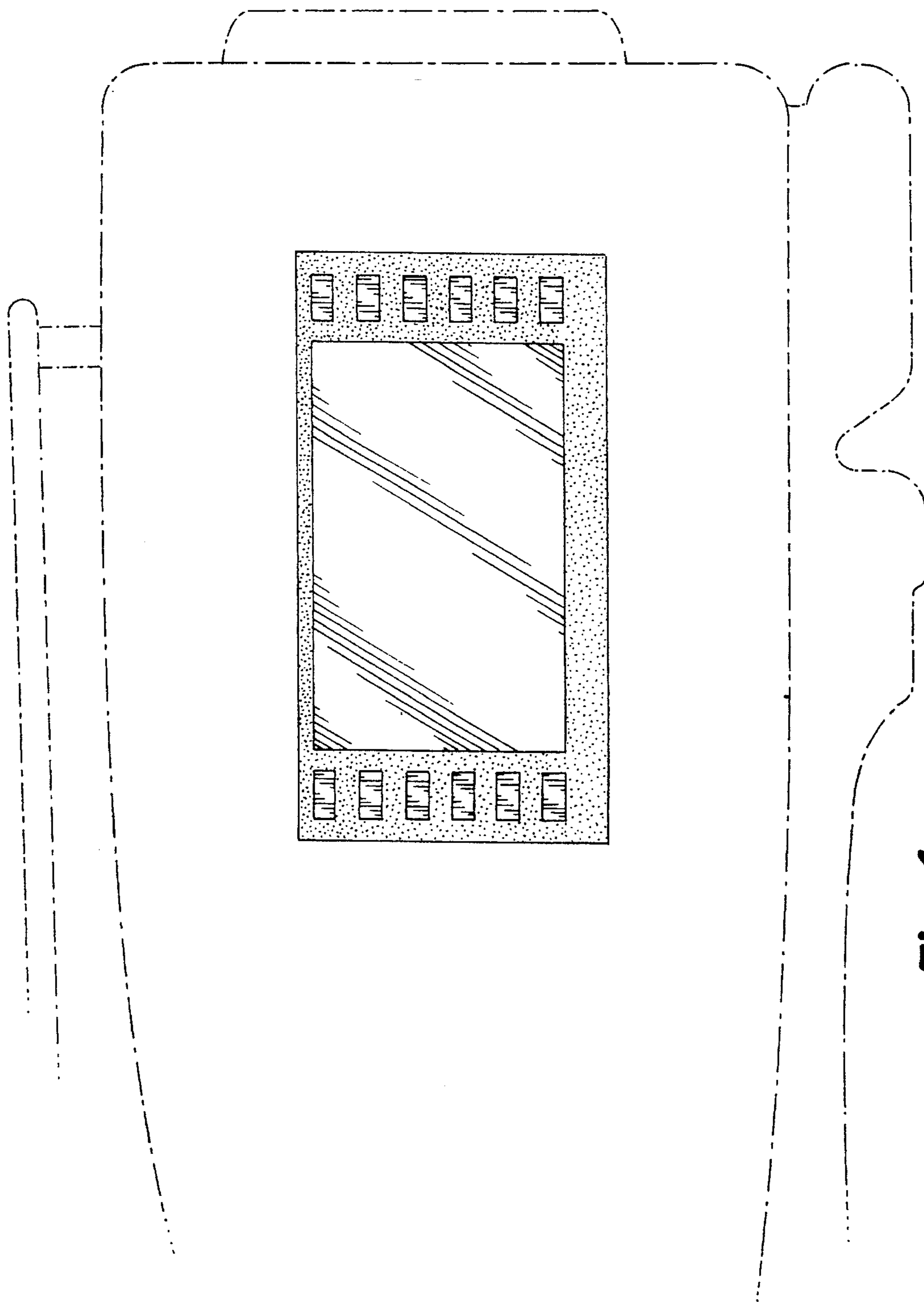
*Fig. 1*



*Fig. 2*



*Fig. 3*



*Fig. 4*