



US00D373777S

United States Patent [19]

Carey

[11] Patent Number: Des. 373,777

[45] Date of Patent: **Sep. 17, 1996

[54] WATERBED WAVE GENERATOR

[76] Inventor: Kirk Carey, 513 Front Rd. N.,
Amherstburg, ONT, Canada, N9V 2V6

[**] Term: 14 Years

[21] Appl. No.: 37,775

[22] Filed: Apr. 20, 1995

[52] U.S. Cl. D15/147

[58] Field of Search D15/147; 5/108,
5/451, 916

[56] References Cited

U.S. PATENT DOCUMENTS

4,088,124	5/1978	Korner et al.	5/451
4,141,096	2/1979	Hale et al.	5/451 X
4,231,126	11/1980	Hurkett	5/451
4,639,959	2/1987	Roca	5/451

Primary Examiner—Antoine Duval Davis

Attorney, Agent, or Firm—Harold H. Dutton, Jr.; W. Charles
L. Jamison; Diane F. Liebman

[57] CLAIM

The ornamental design for a waterbed wave generator, as shown.

DESCRIPTION

FIG. 1 is a front view of a waterbed wave generator showing my new design;

FIG. 2 is a rear view thereof;

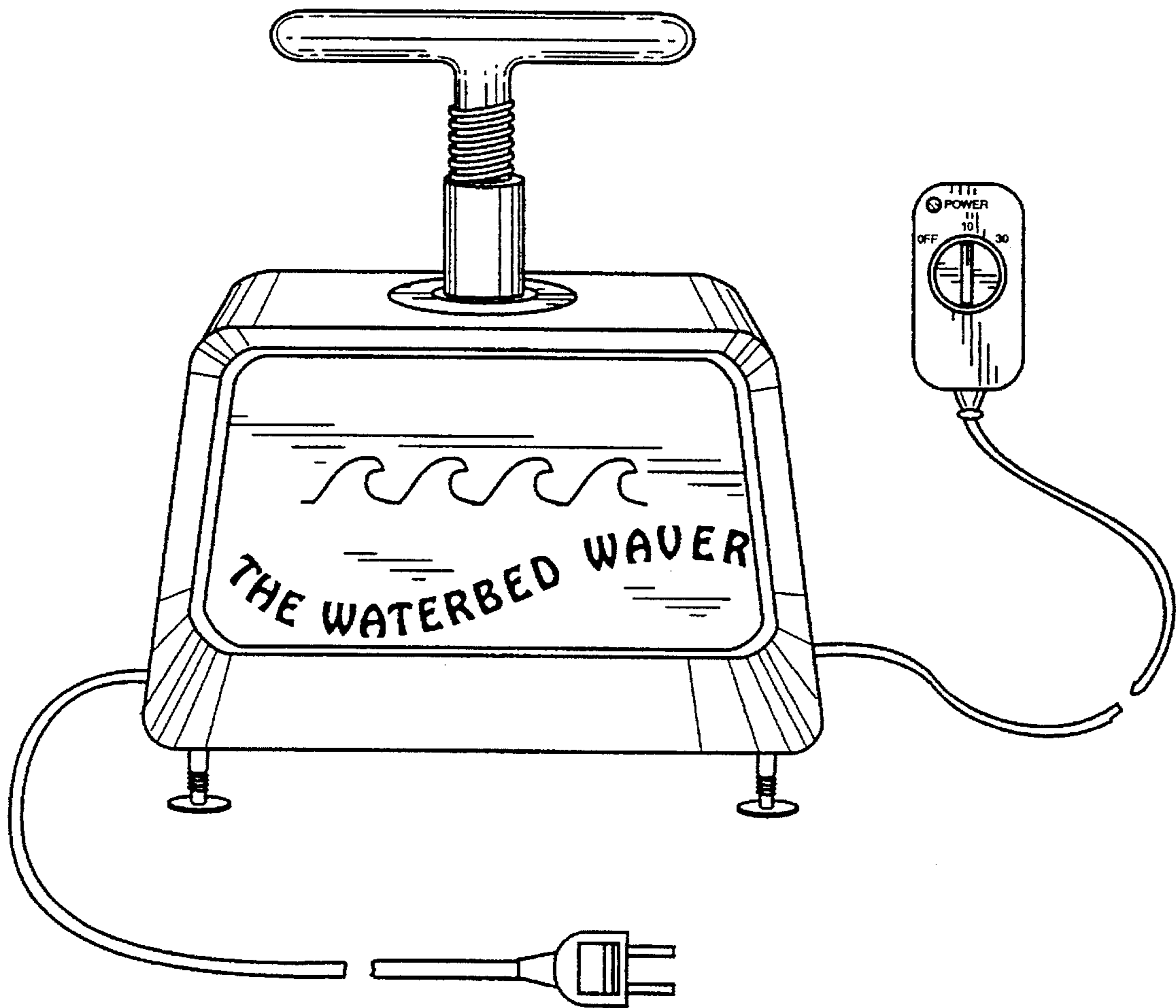
FIG. 3 is a top view thereof;

FIG. 4 is a bottom view thereof;

FIG. 5 is a left side view thereof; and,

FIG. 6 is a right side view thereof.

1 Claim, 3 Drawing Sheets



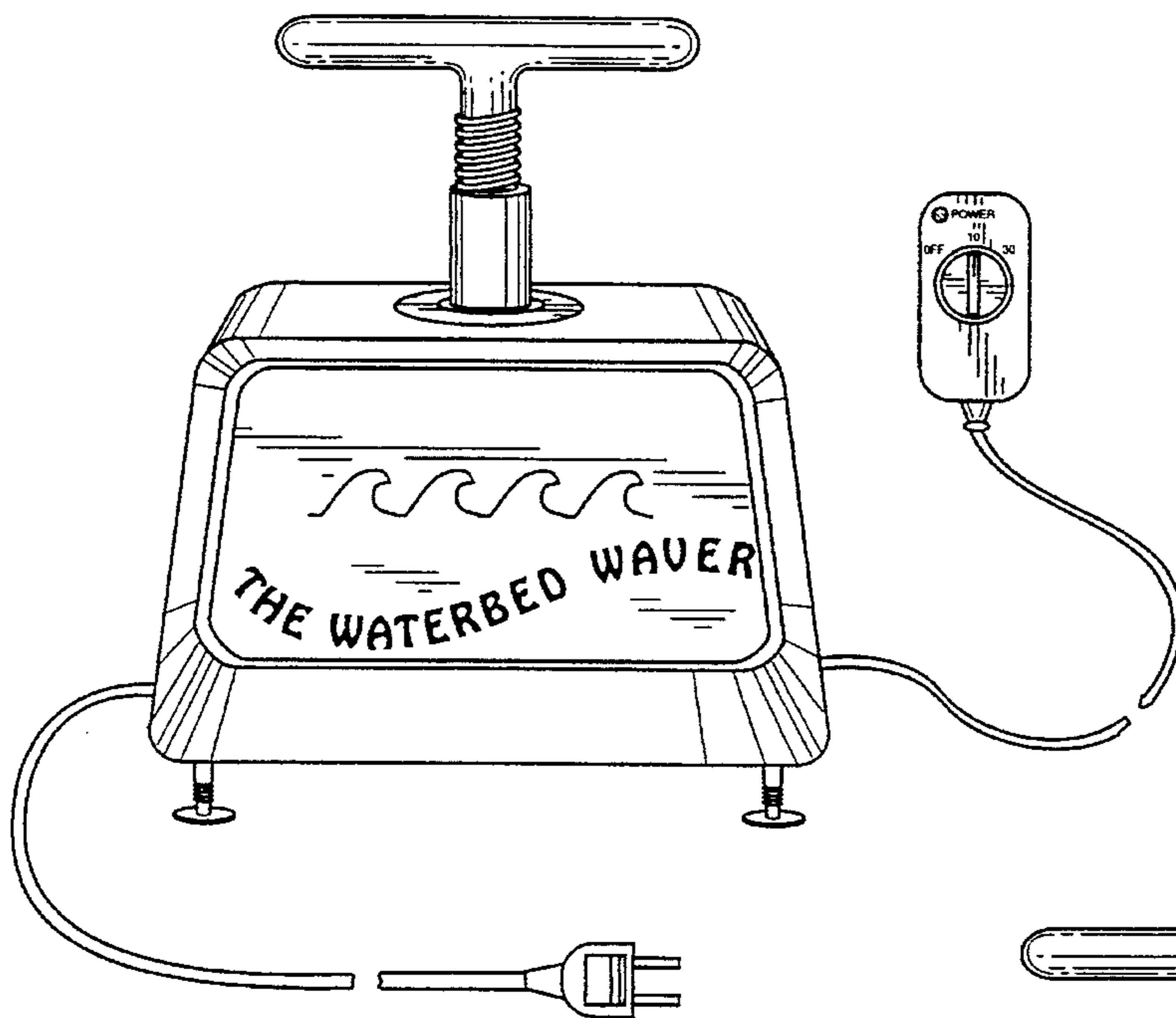
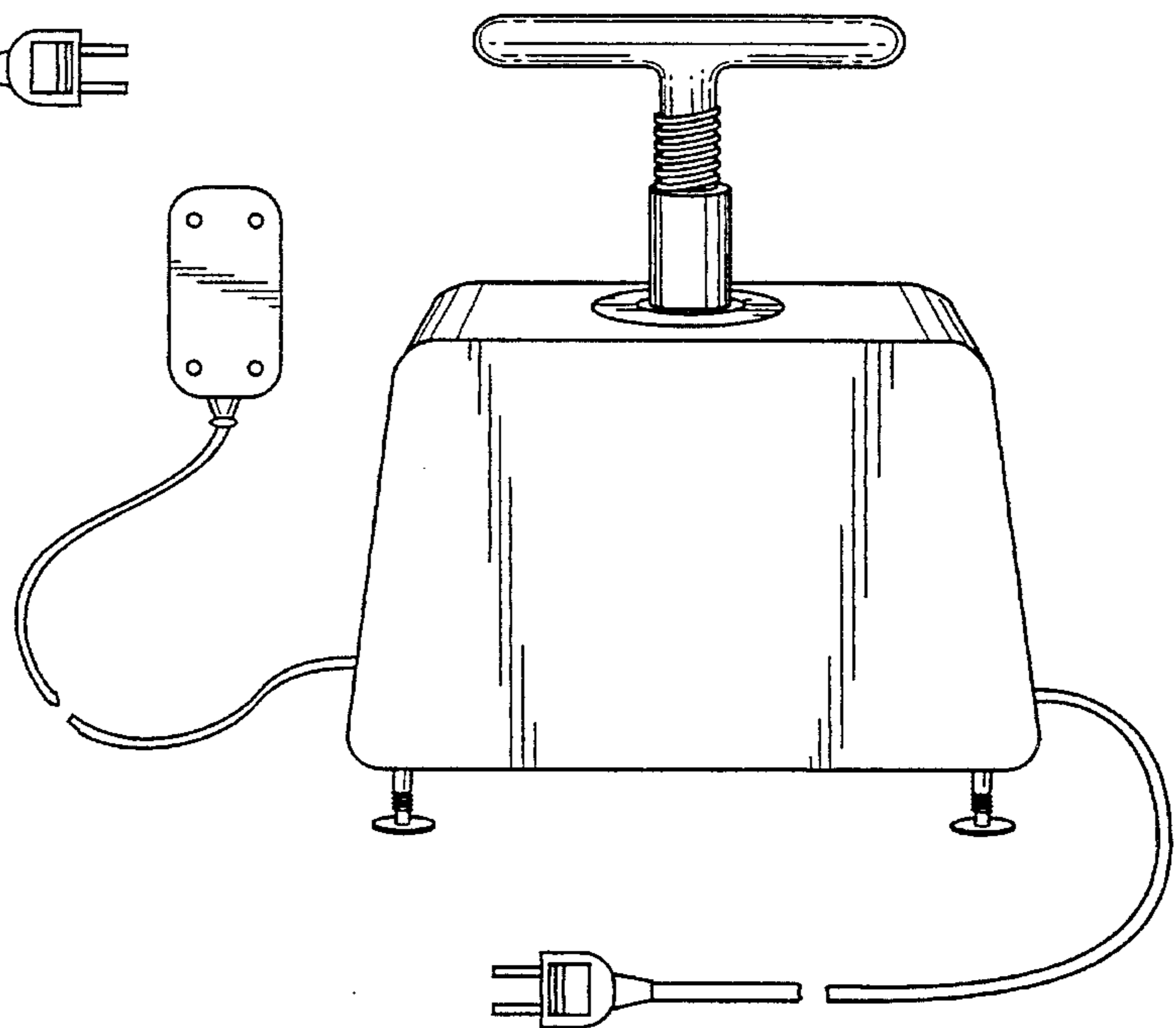


FIG. 1

FIG. 2



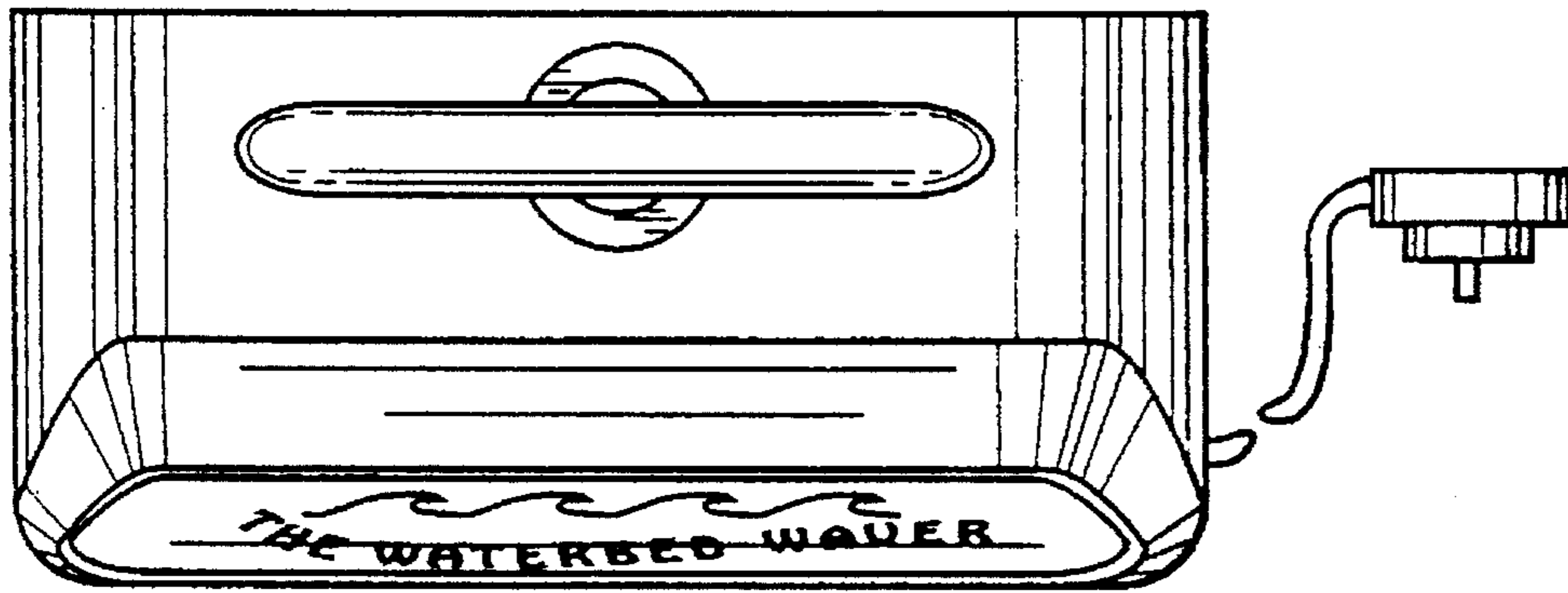
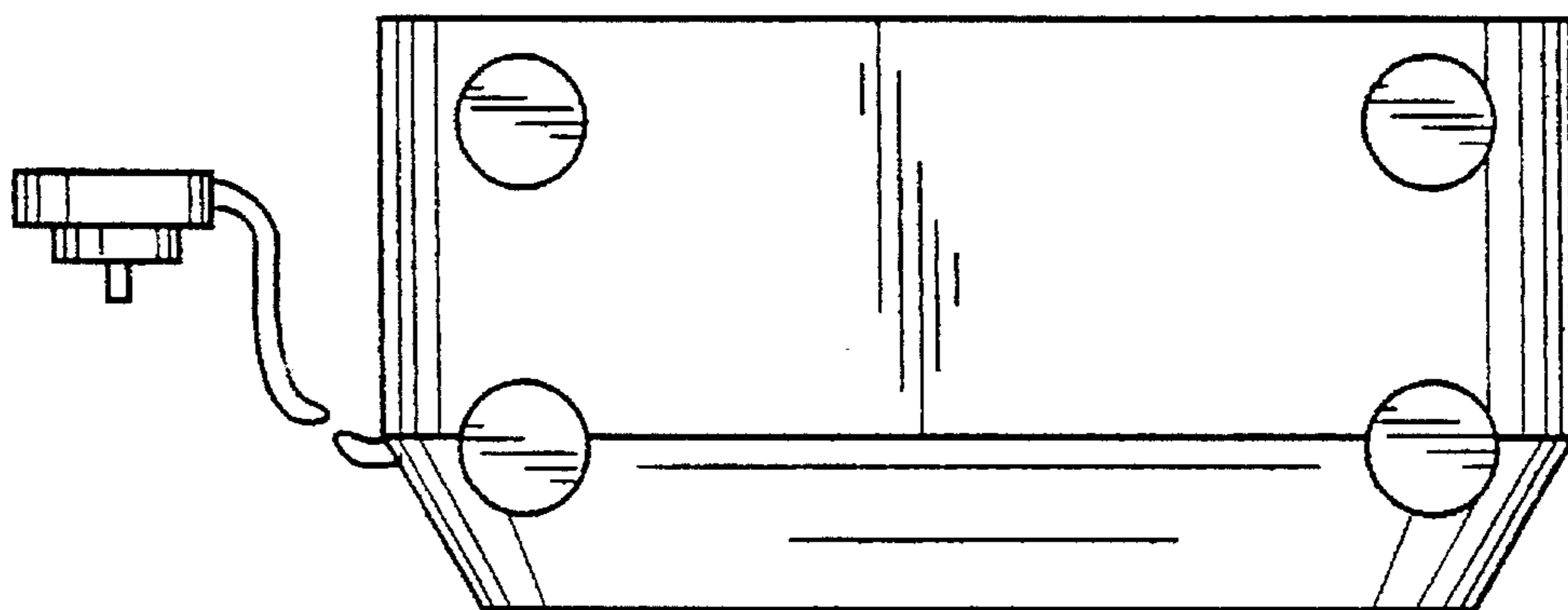


FIG. 3

FIG. 4



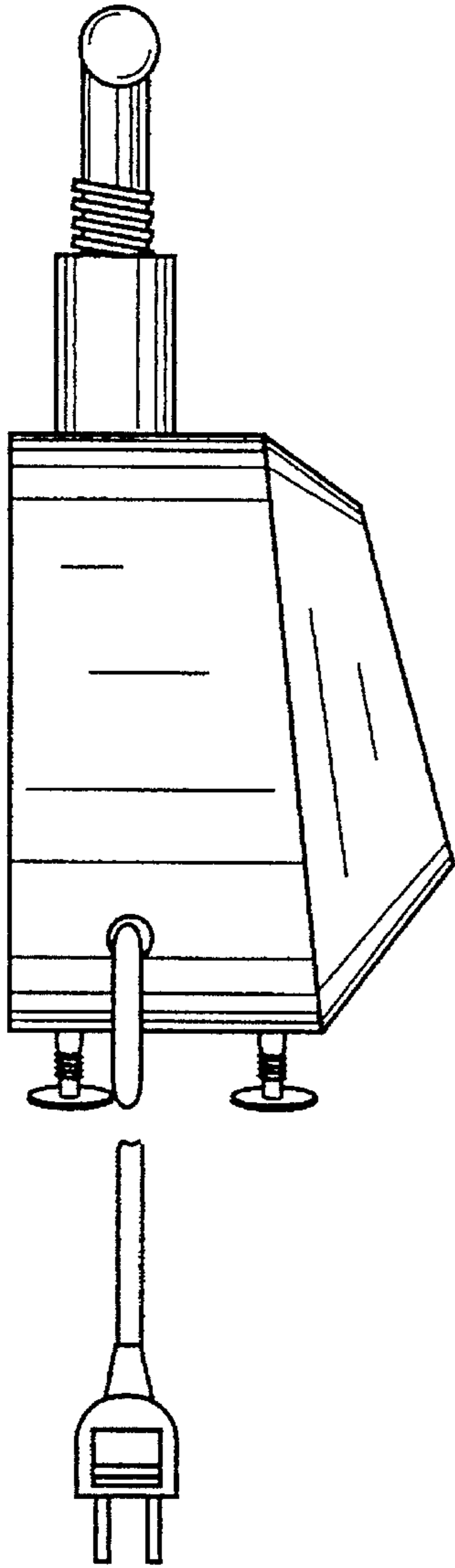


FIG. 5

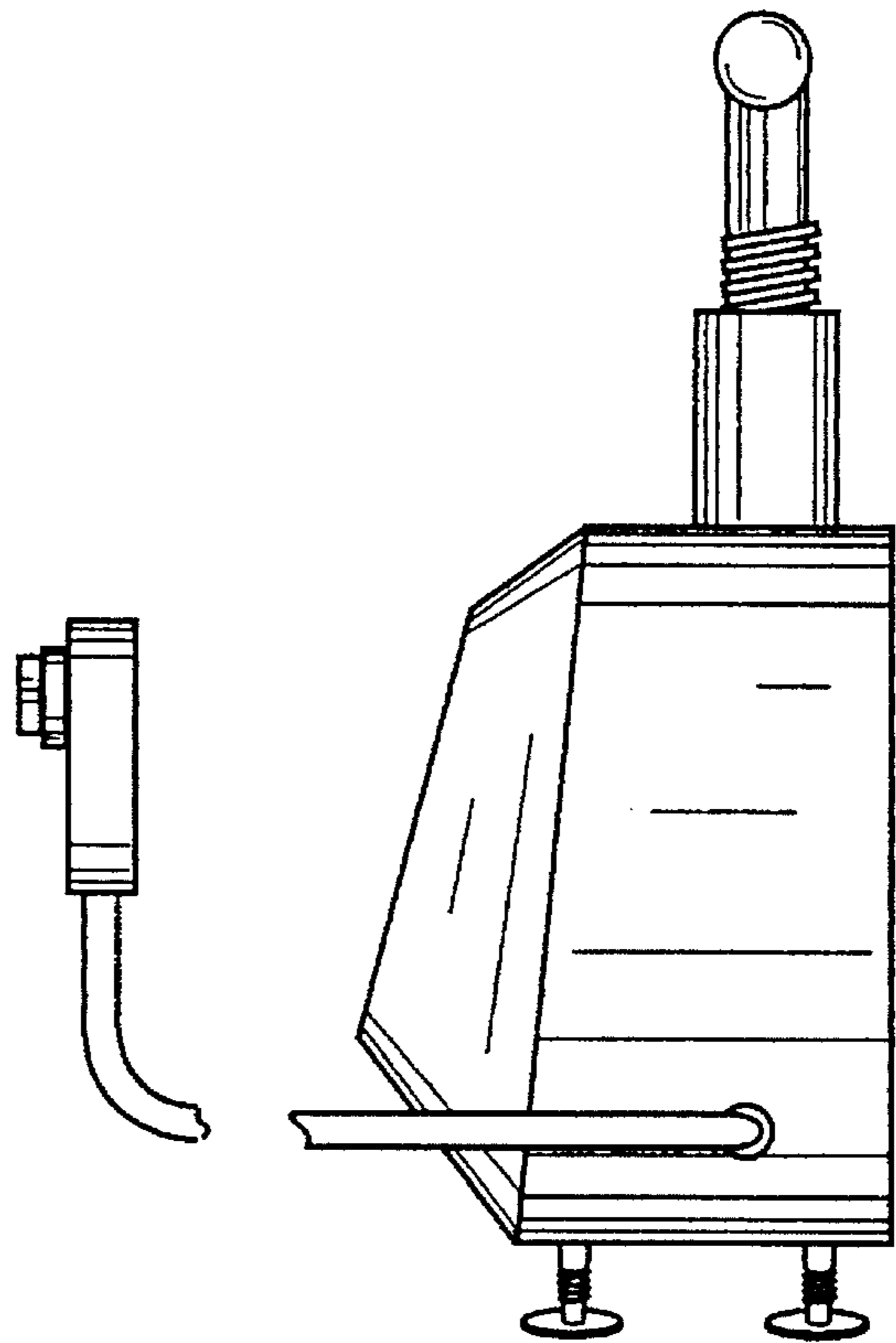


FIG. 6