



US00D373774S

# United States Patent [19] Chen

[11] Patent Number: **Des. 373,774**

[45] Date of Patent: **\*\*Sep. 17, 1996**

[54] AIR COMPRESSOR

[76] Inventor: **Chi-Wen Chen**, P.O. Box 82-144,  
Taipei, Taiwan

[\*\*] Term: **14 Years**

[21] Appl. No.: **39,168**

[22] Filed: **May 22, 1995**

[52] U.S. Cl. .... **D15/9**

[58] Field of Search ..... D15/5, 7; 417/415,  
417/234, 411, 410.3, 410.4, 410.5; D26/38;  
D24/8

[56] **References Cited**

**U.S. PATENT DOCUMENTS**

D. 286,782	11/1986	Somers	.....	D15/7
D. 294,396	2/1988	Steere et al.	.....	D26/88
D. 295,754	5/1988	Wang	.....	D15/9
D. 296,104	6/1988	Hung	.....	D15/9
D. 301,887	6/1989	Peice et al.	.....	D15/7
4,424,006	1/1984	Ambuster	.....	417/234

**OTHER PUBLICATIONS**

KMart Advertisement, Mar. 18, 1990, Rubber Queen 12V 3 in 1 Compressor.

Wagner Catalogue, no page #, Jan. 16, 1986, Wagner Cold Power 1250.

*Primary Examiner*—Susan J. Lucas  
*Assistant Examiner*—Cynthia F. Ramirez  
*Attorney, Agent, or Firm*—Alfred Lei

[57] **CLAIM**

The ornamental design for an air compressor, is shown and described.

**DESCRIPTION**

FIG. 1 is a perspective view of an air compressor showing my new design;

FIG. 2 is a rear view thereof;

FIG. 3 is a front view thereof;

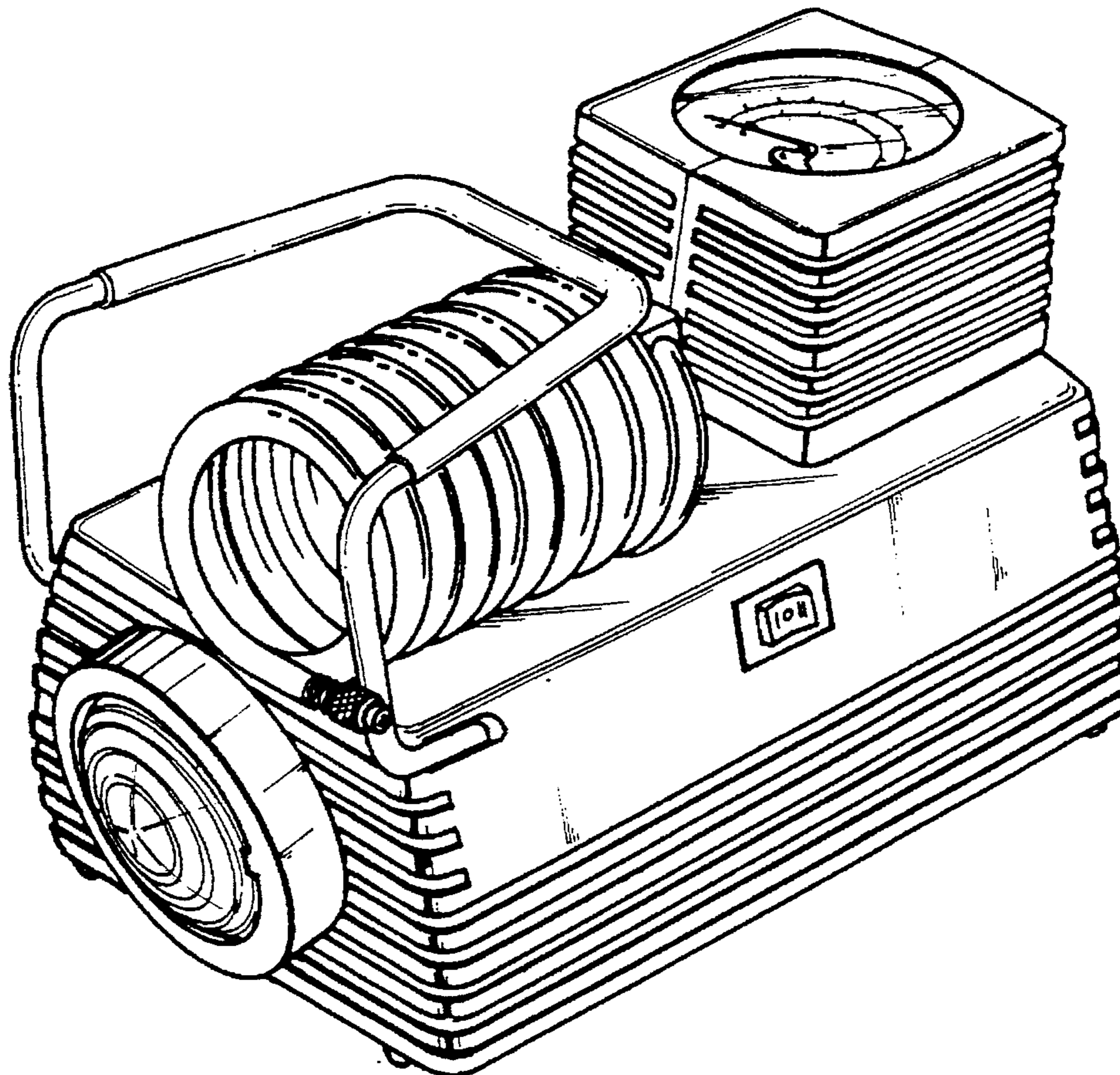
FIG. 4 is a right side elevational view thereof;

FIG. 5 is a left side elevational view thereof;

FIG. 6 is a top plan view thereof; and,

FIG. 7 is a bottom plan view thereof.

**1 Claim, 4 Drawing Sheets**



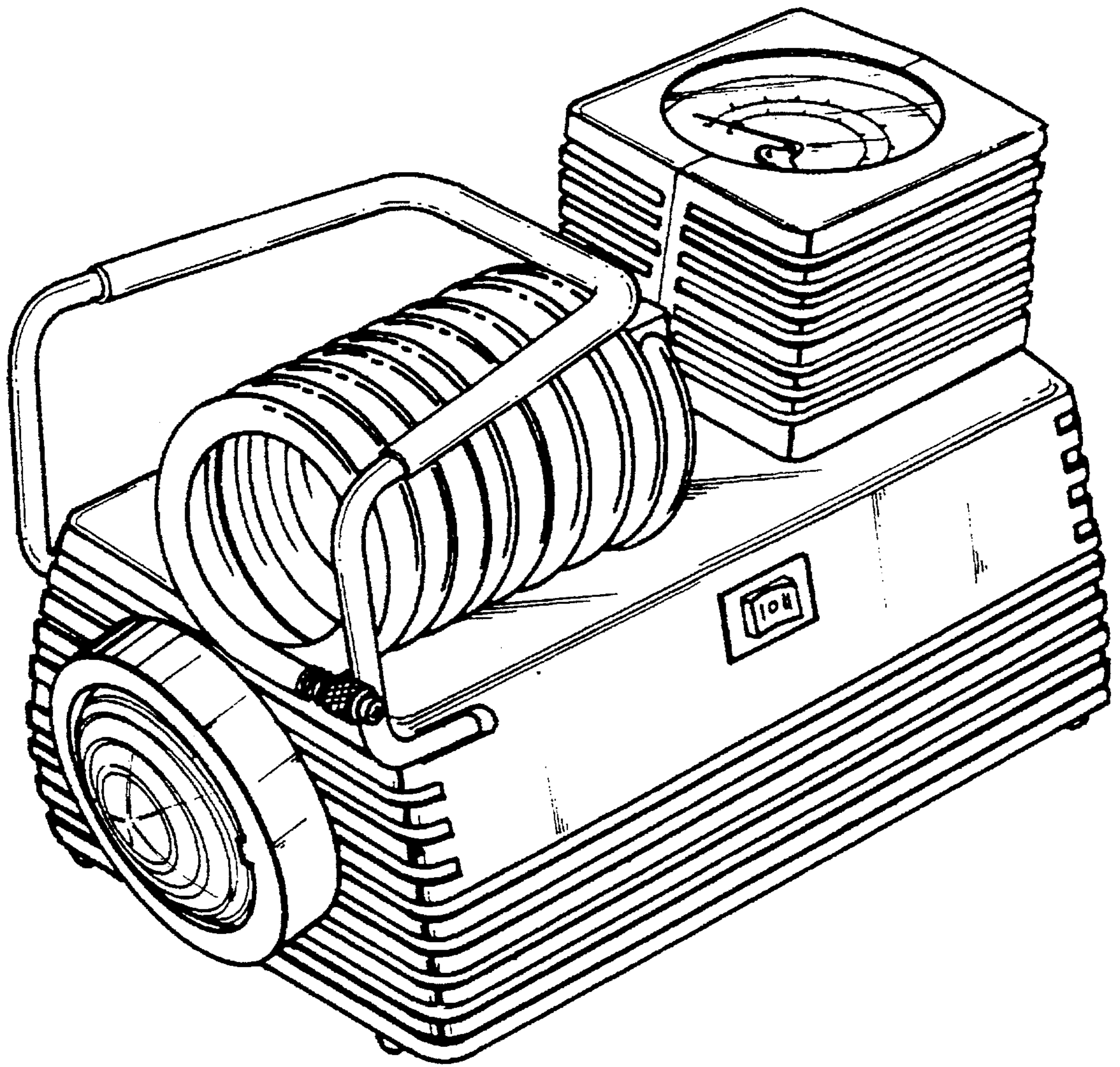


FIG. 1

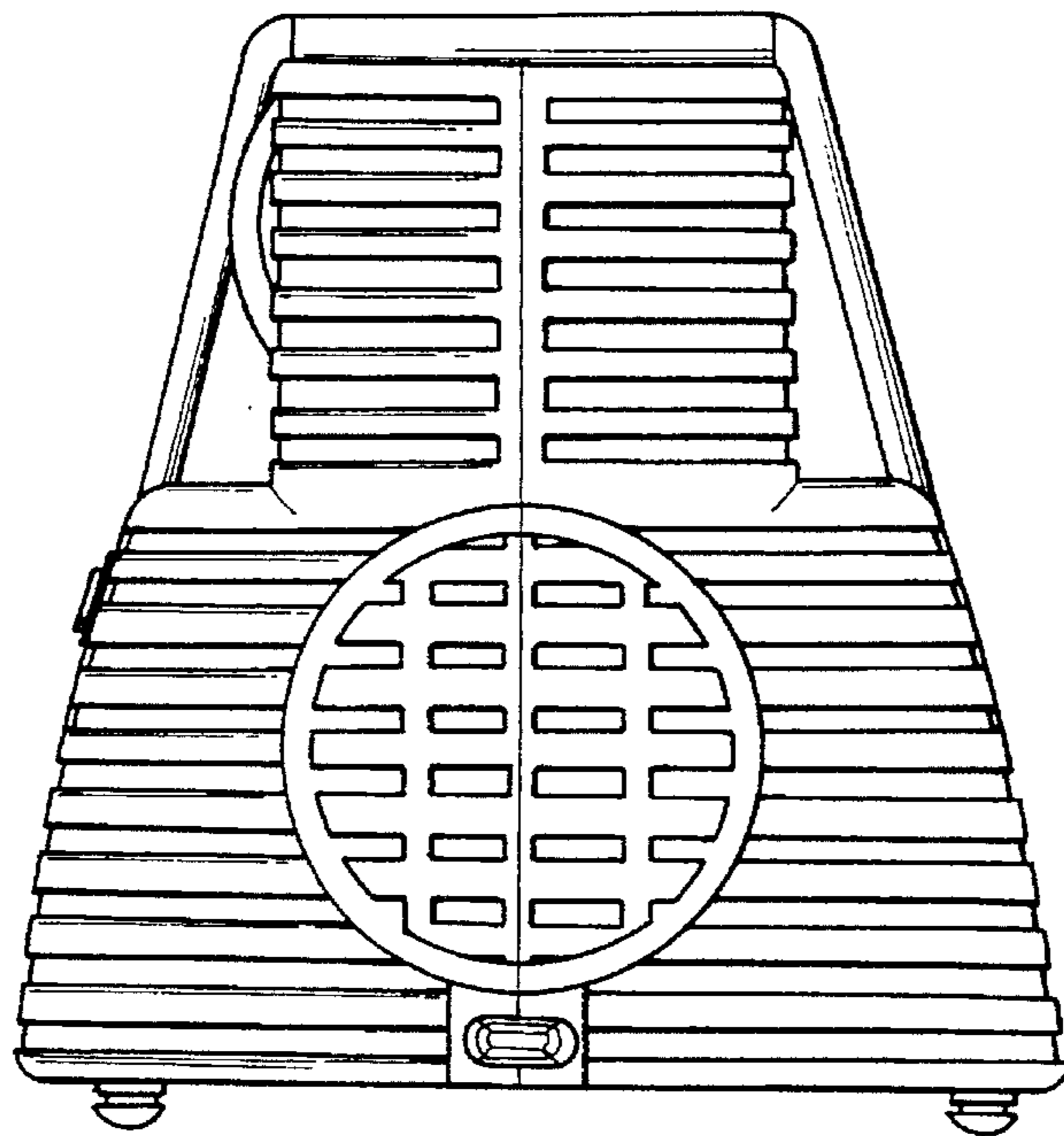


FIG. 2

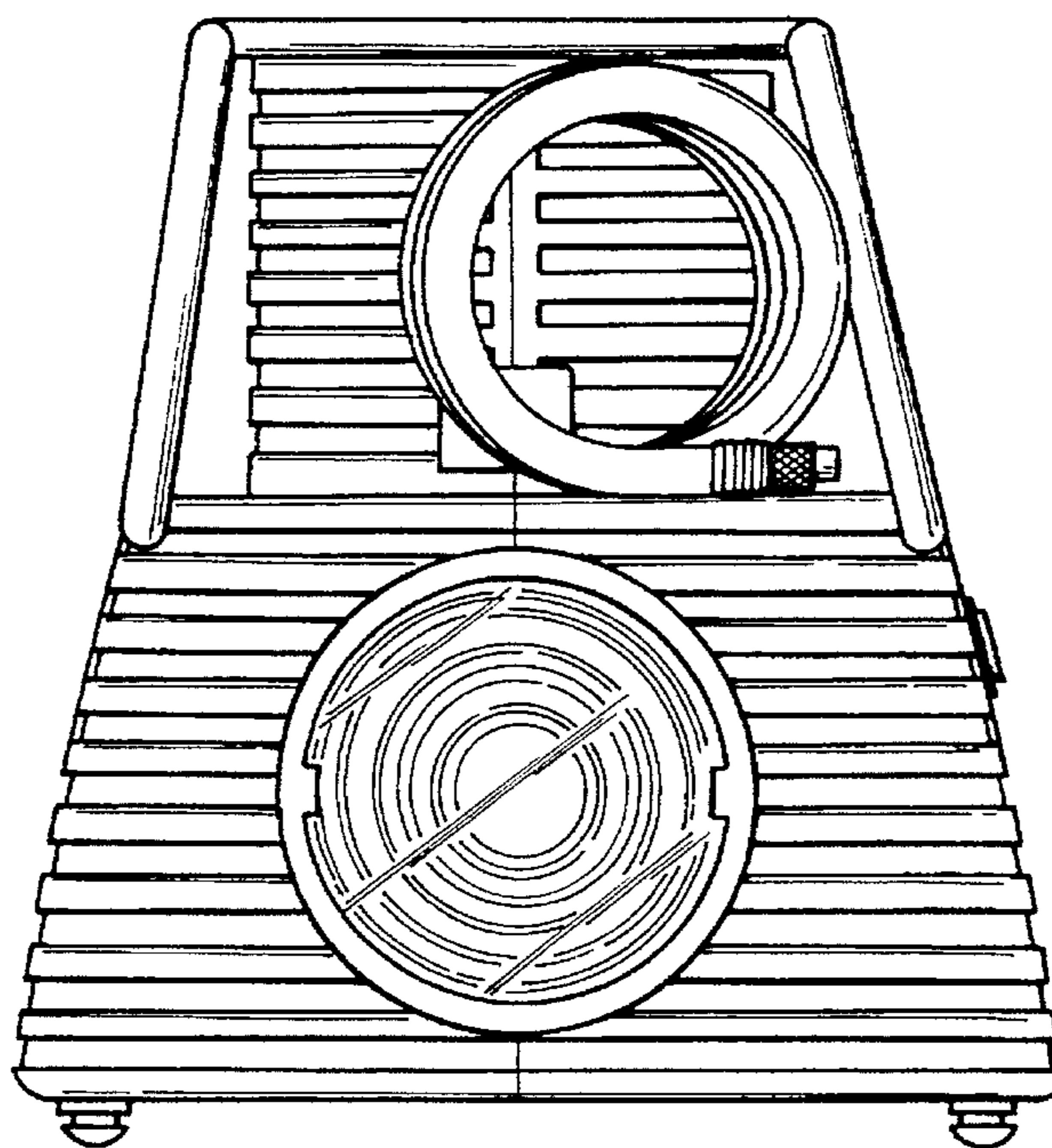


FIG. 3

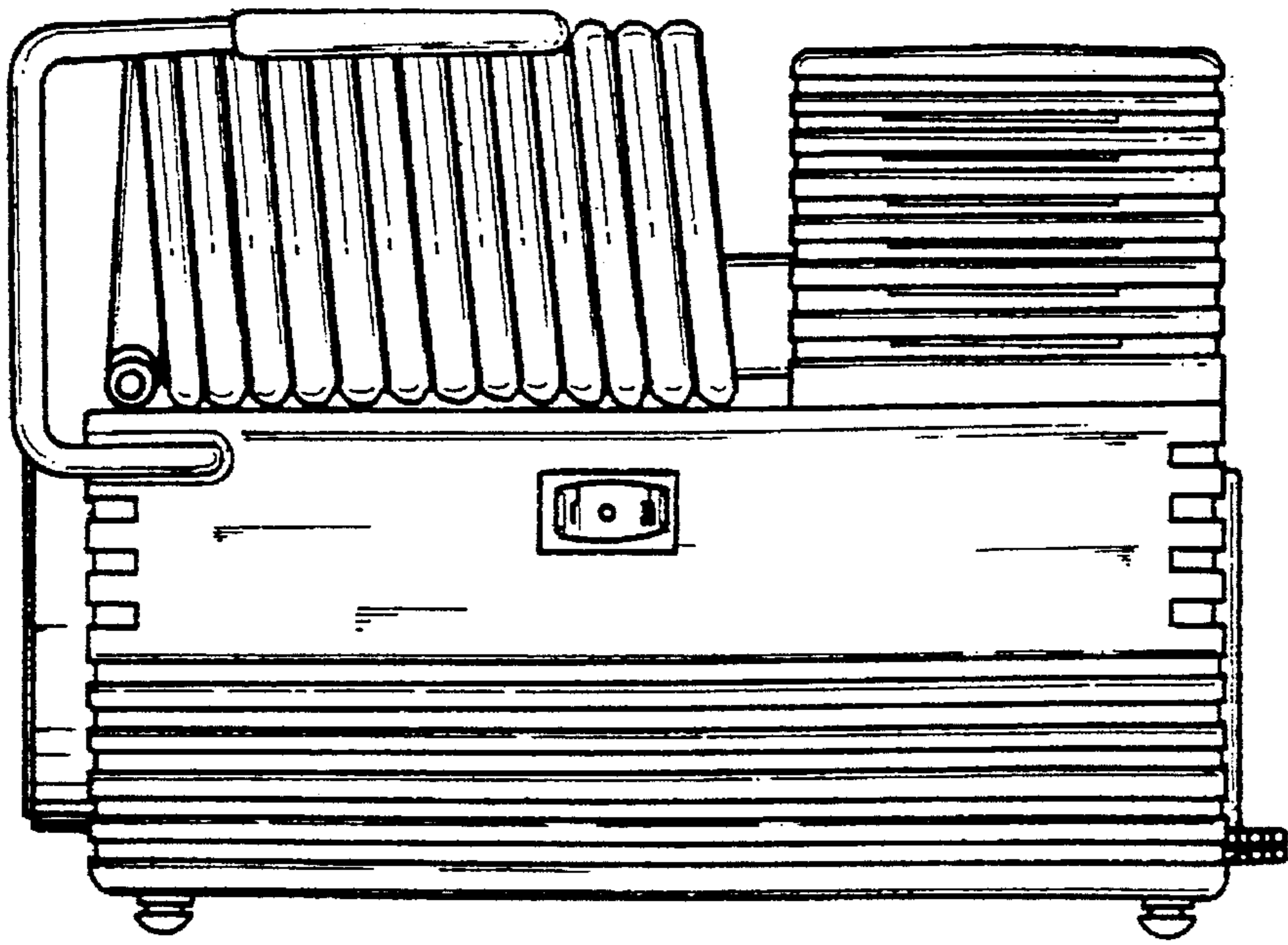


FIG. 4

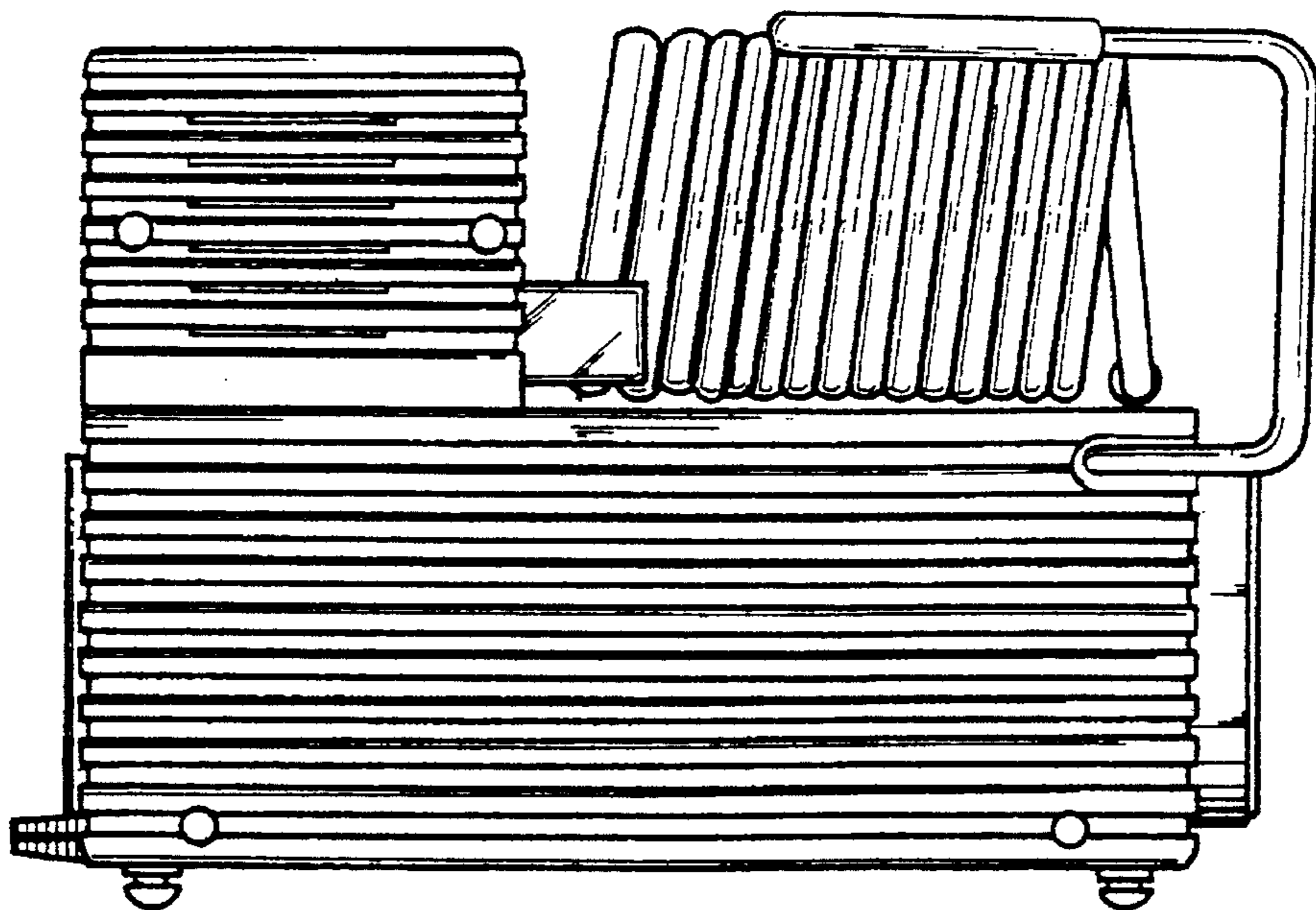


FIG. 5

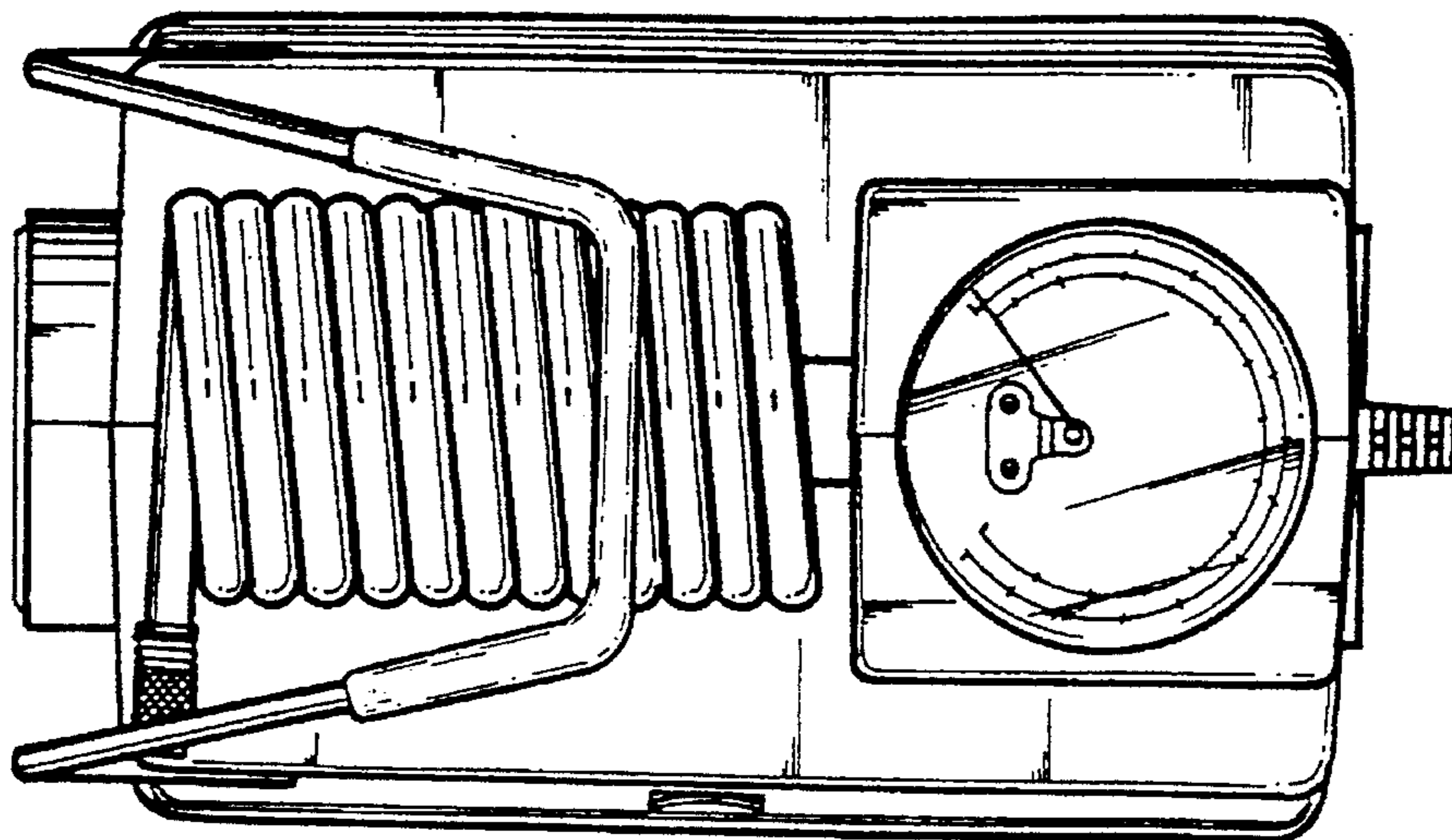


FIG. 6

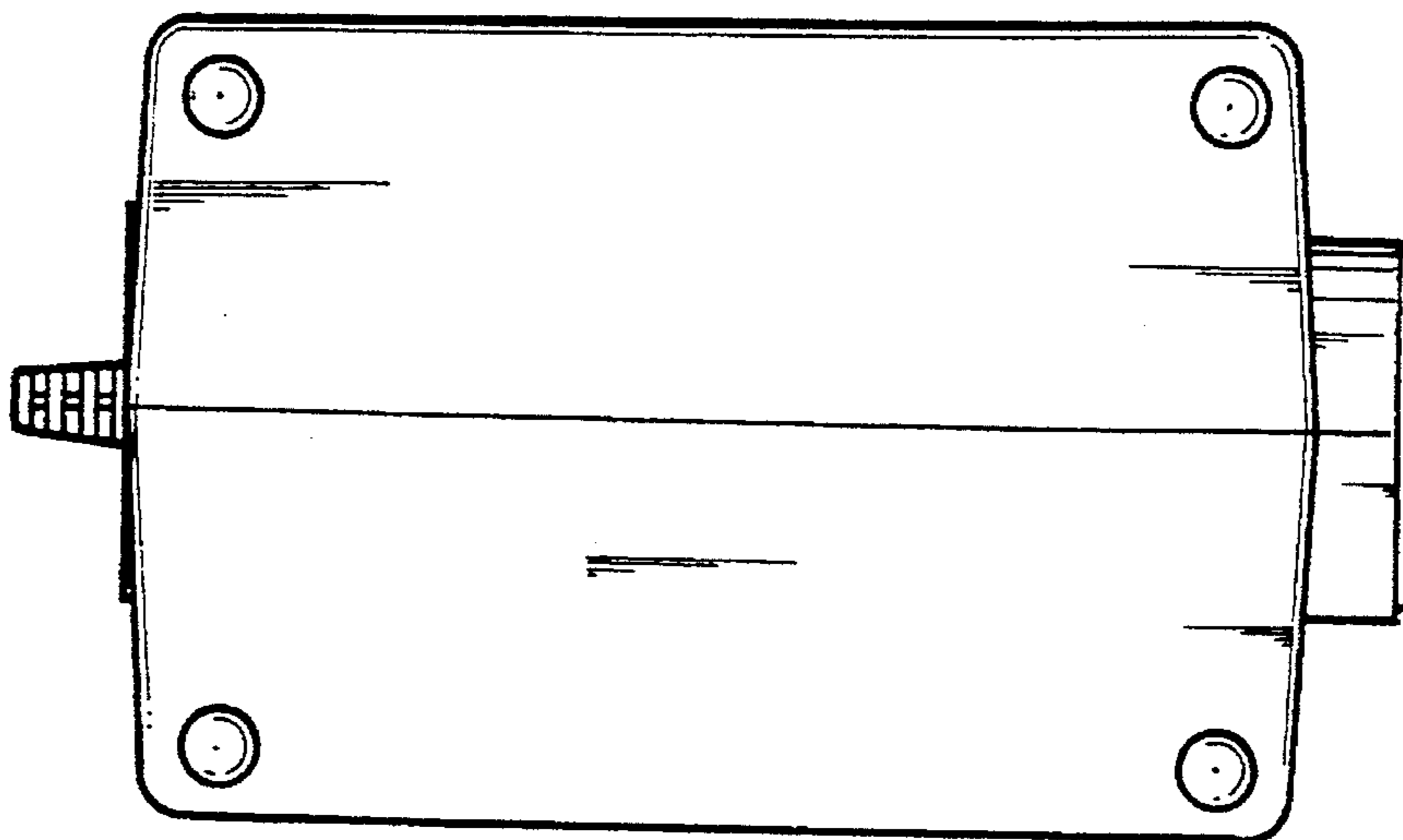


FIG. 7