



US00D373770S

# United States Patent [19]

James et al.

[11] Patent Number: **Des. 373,770**

[45] Date of Patent: **\*\*Sep. 17, 1996**

[54] **ELECTRONIC COMPONENT HOUSING**

[75] Inventors: **Larry R. James**, Regents Park; **Robert Ashley**, Oakhurst, both of Australia

[73] Assignee: **Alcatel Australia Ltd.**, Alexandria, Australia

[\*\*] Term: **14 Years**

[21] Appl. No.: **9,357**

[22] Filed: **Jun. 9, 1993**

### [30] Foreign Application Priority Data

Dec. 17, 1992 [AU] Australia ..... 3646/92

[52] U.S. Cl. .... **D14/240**; D14/107

[58] Field of Search ..... D14/140, 240, D14/256, 100, 107, 114, 142, 149, 242, 218, 147; 379/419, 420, 428, 140, 440-442; 439/131, 676; 361/683, 686; D13/147, 107, 108

### [56] References Cited

#### U.S. PATENT DOCUMENTS

D. 290,460 6/1987 Pinz et al. .... D14/240  
D. 291,803 9/1987 Mantell ..... D14/140

D. 306,026 2/1990 Boykiw ..... D14/149 X  
D. 331,749 12/1992 Mizusugi et al. .... D14/107  
D. 338,674 8/1993 Fogarty, Sr. .... D14/218  
D. 340,058 10/1993 Wetzel et al. .... D13/147 X  
D. 340,232 10/1993 Yoshida ..... D14/107  
D. 343,381 1/1994 Inukai et al. .... D13/107  
D. 354,940 1/1995 Speiser et al. .... D13/147 X

Primary Examiner—Jeffrey Asch  
Attorney, Agent, or Firm—Spencer, Frank & Schneider

### [57] CLAIM

The ornamental design for an electronic component housing, as shown.

### DESCRIPTION

FIG. 1 is a perspective view of an electronic component housing showing our new design, depicting the front, top and one side thereof;  
FIG. 2 is an elevational view, showing the front of the electronic component housing;  
FIG. 3 is an elevational view showing one side thereof;  
FIG. 4 is an elevational view showing the rear thereof;  
FIG. 5 is a bottom plan view thereof; and,  
FIG. 6 is an elevational view showing the side opposite that shown in FIG. 3.

**1 Claim, 3 Drawing Sheets**

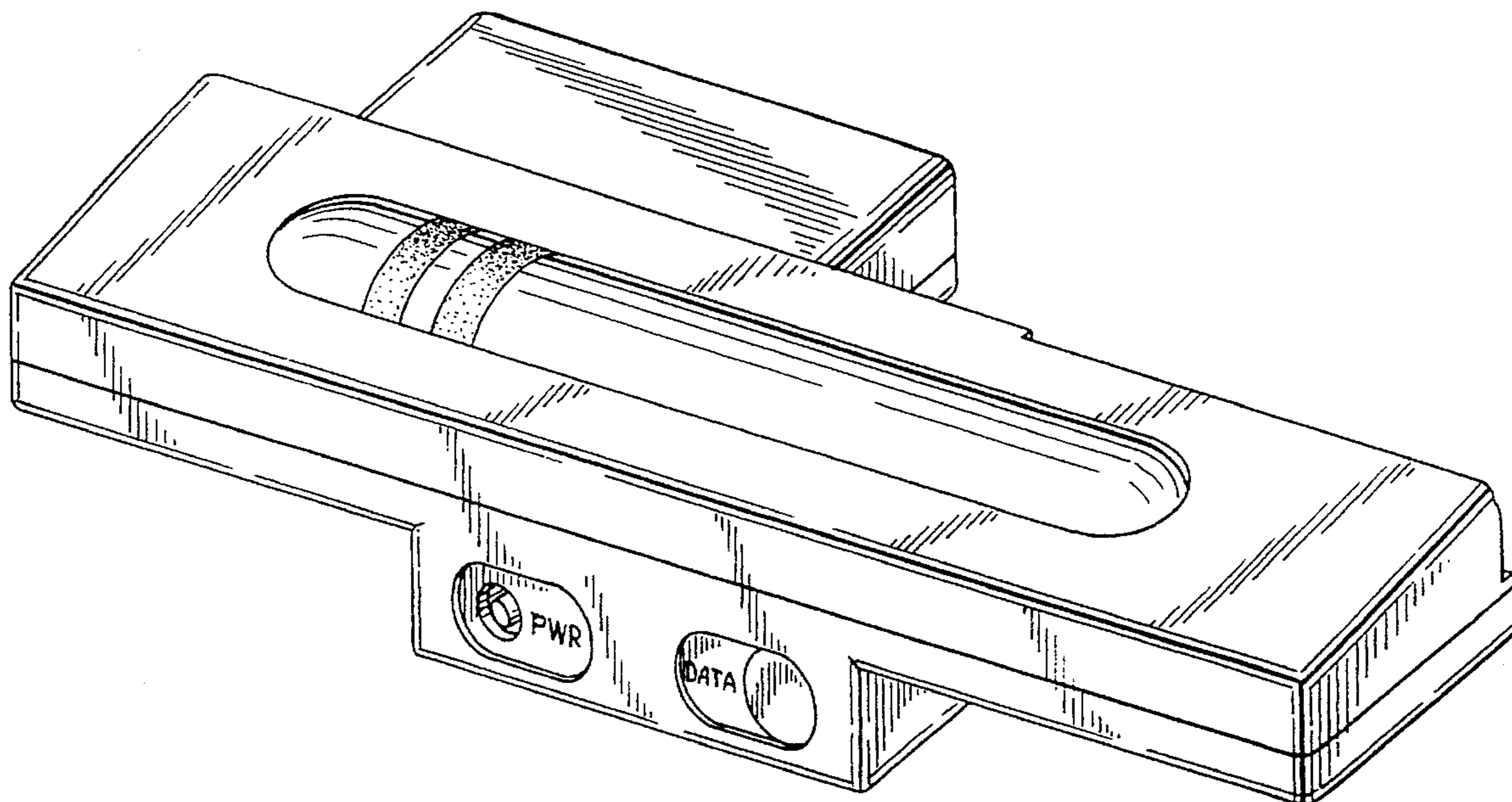


FIG. 1

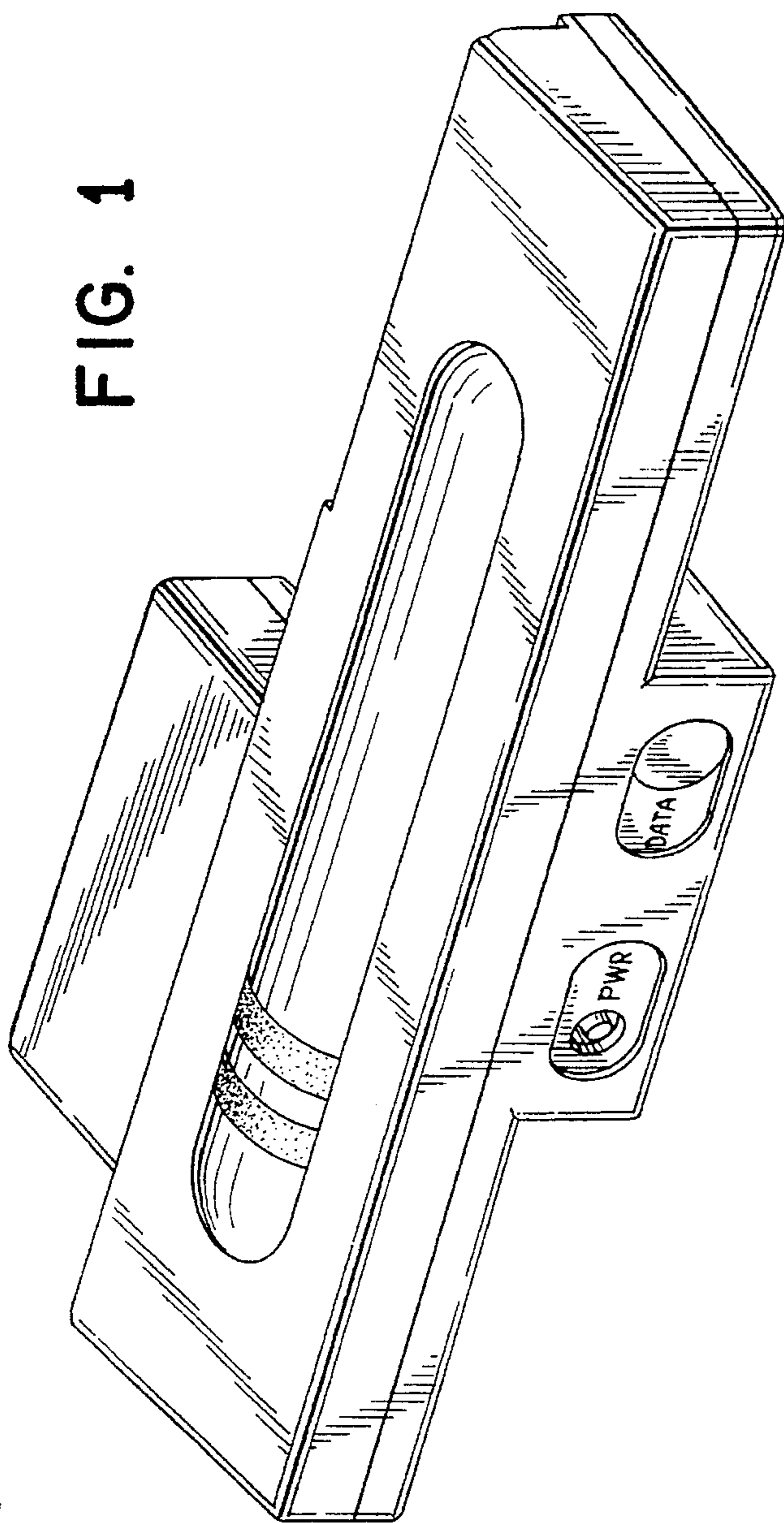
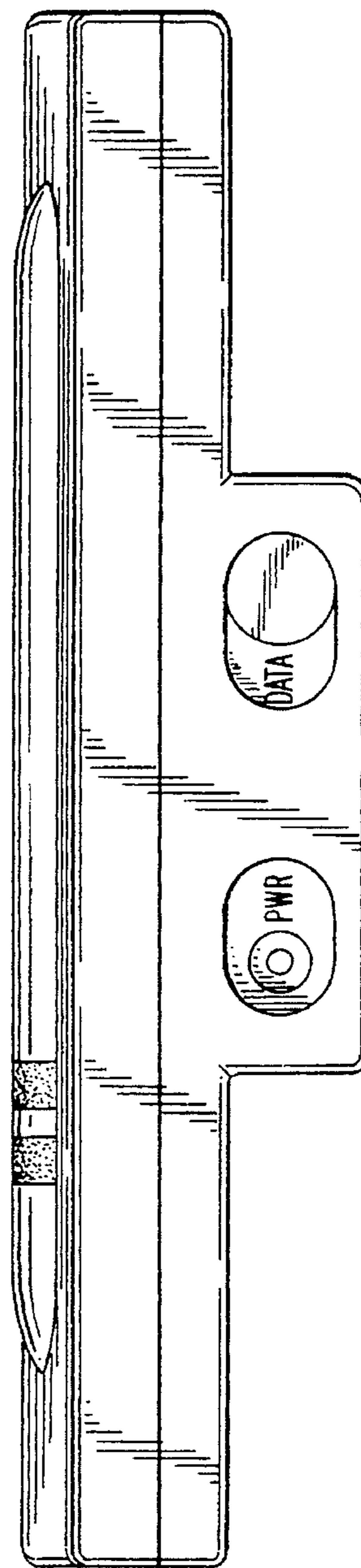


FIG. 2



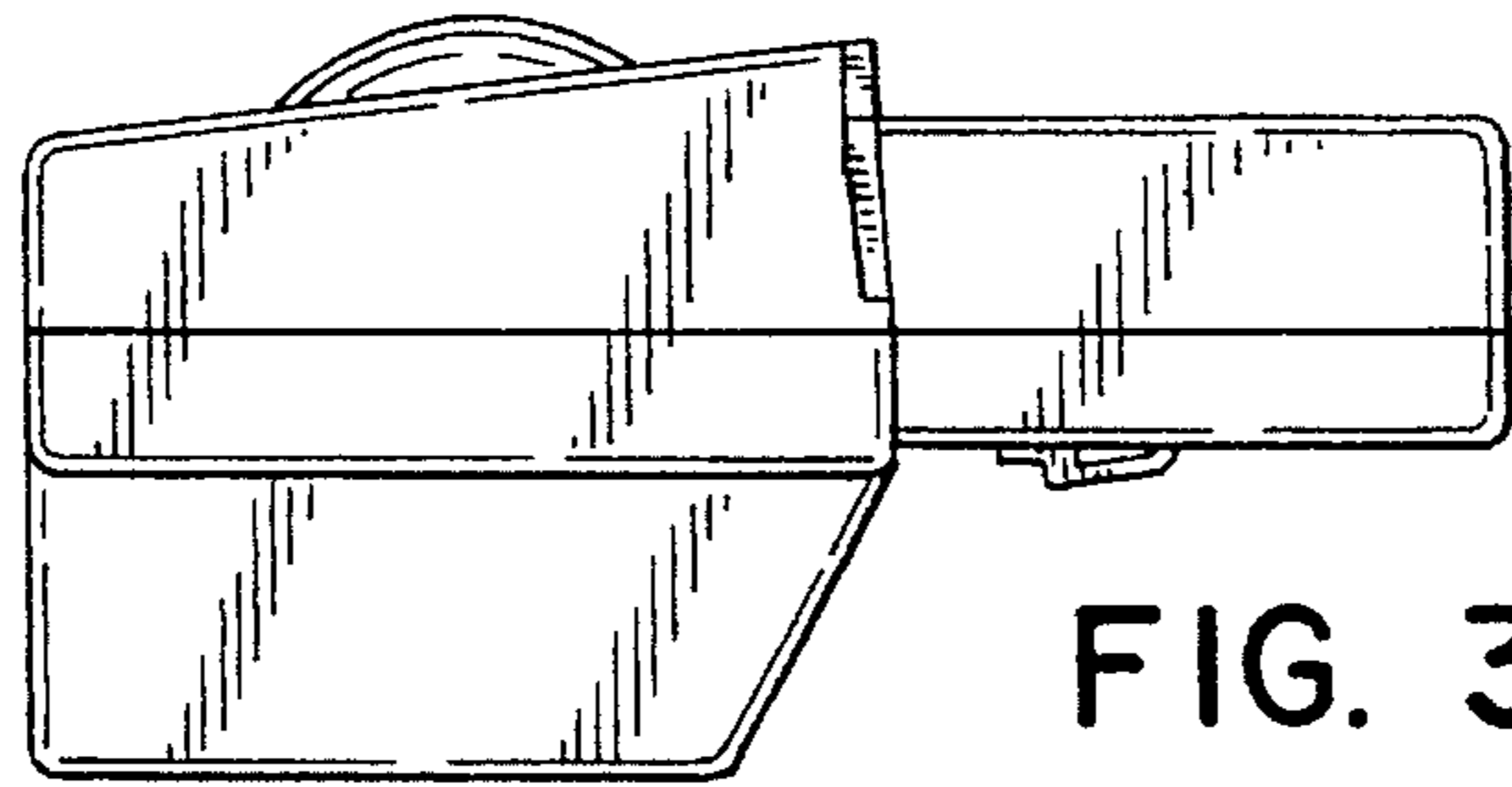


FIG. 3

FIG. 4

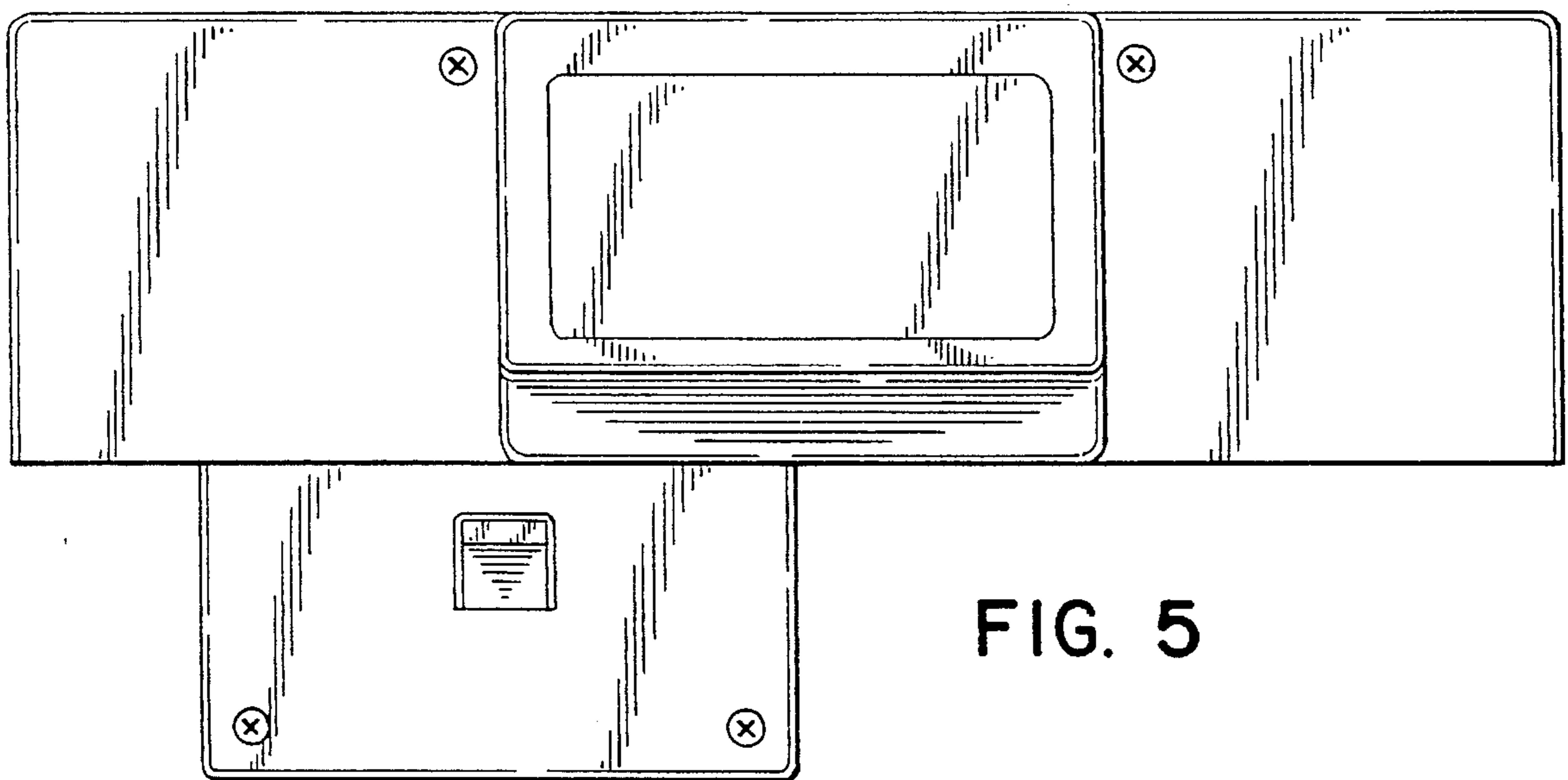
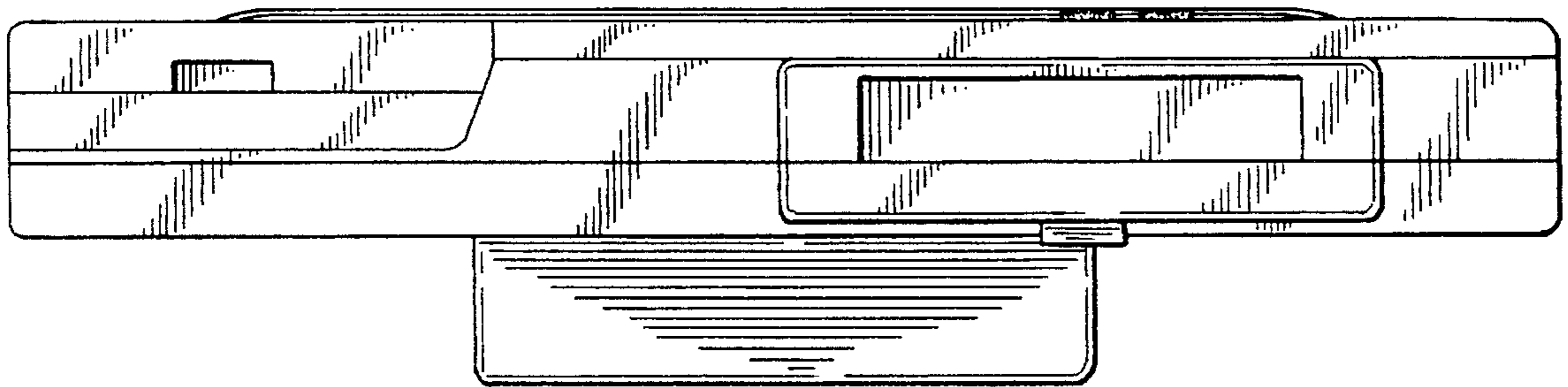


FIG. 5

FIG. 6

