



US00D373767S

United States Patent [19]
Hinderks

[11] **Patent Number: Des. 373,767**
[45] **Date of Patent: **Sep. 17, 1996**

[54] **PORTABLE DIGITAL TELECOMMUNICATION DEVICE**

[76] Inventor: **Larry W. Hinderks**, 37 Ladwood Dr., Holmdel, N.J. 07733

[**] Term: **14 Years**

[21] Appl. No.: **39,772**

[22] Filed: **Apr. 10, 1995**

[52] U.S. Cl. **D14/150; D14/137; D14/240**

[58] Field of Search **D10/75, 76; D14/137, D14/138, 140, 142, 149-151, 240, 241, 107; 379/58-61, 419, 420, 428, 440, 434-436, 454, 455; 455/89, 90, 128**

[56] **References Cited**

U.S. PATENT DOCUMENTS

D. 264,691	6/1982	Volkland et al.	D10/75
D. 267,249	12/1982	Fukushima et al.	D14/138
D. 277,569	2/1985	Georopulos	D14/241
D. 281,974	12/1985	Suzuki et al.	D14/138
D. 289,616	5/1987	Imazeki	D14/137 X
D. 291,443	8/1987	Pedielli et al.	D14/107
D. 349,503	8/1994	Roy	D14/241
D. 350,544	9/1994	Sakuta et al.	D14/240

OTHER PUBLICATIONS

Simpson Electric Co. Advertisement from ET/D of May 1978, Model 452.
Telephony's Buyers' Guide 1990/91, p. 96, Conway Phone-A-Lyzer II.

B. A. Pargh, Spring/Summer, 1985, p. 287, Precision Telephone Product Tester at Bottom Left.

Primary Examiner—Jeffrey Asch
Attorney, Agent, or Firm—McAndrews, Held & Malloy, Ltd.

[57] **CLAIM**

The ornamental design for the portable digital telecommunications device, as shown and described.

DESCRIPTION

FIG. 1 is a perspective view of a portable digital telecommunications device showing my new design;
FIG. 2 is a right side view of the portable digital telecommunications device of FIG. 1;
FIG. 3 is a left side view of the portable digital telecommunications device of FIG. 1;
FIG. 4 is a top view of the portable digital telecommunications device of FIG. 1 taken in the direction of arrows 4—4 in FIG. 2;
FIG. 5 is a front view of the portable digital telecommunications device of FIG. 1 taken in the direction of arrows 5—5 in FIG. 2;
FIG. 6 is a back view of the portable digital telecommunications device of FIG. 1 taken in the direction of arrows 6—6 in FIG. 2; and,
FIG. 7 is a bottom view of the portable digital telecommunications device of FIG. 1 taken in the direction of arrows 7—7 in FIG. 2.

1 Claim, 3 Drawing Sheets

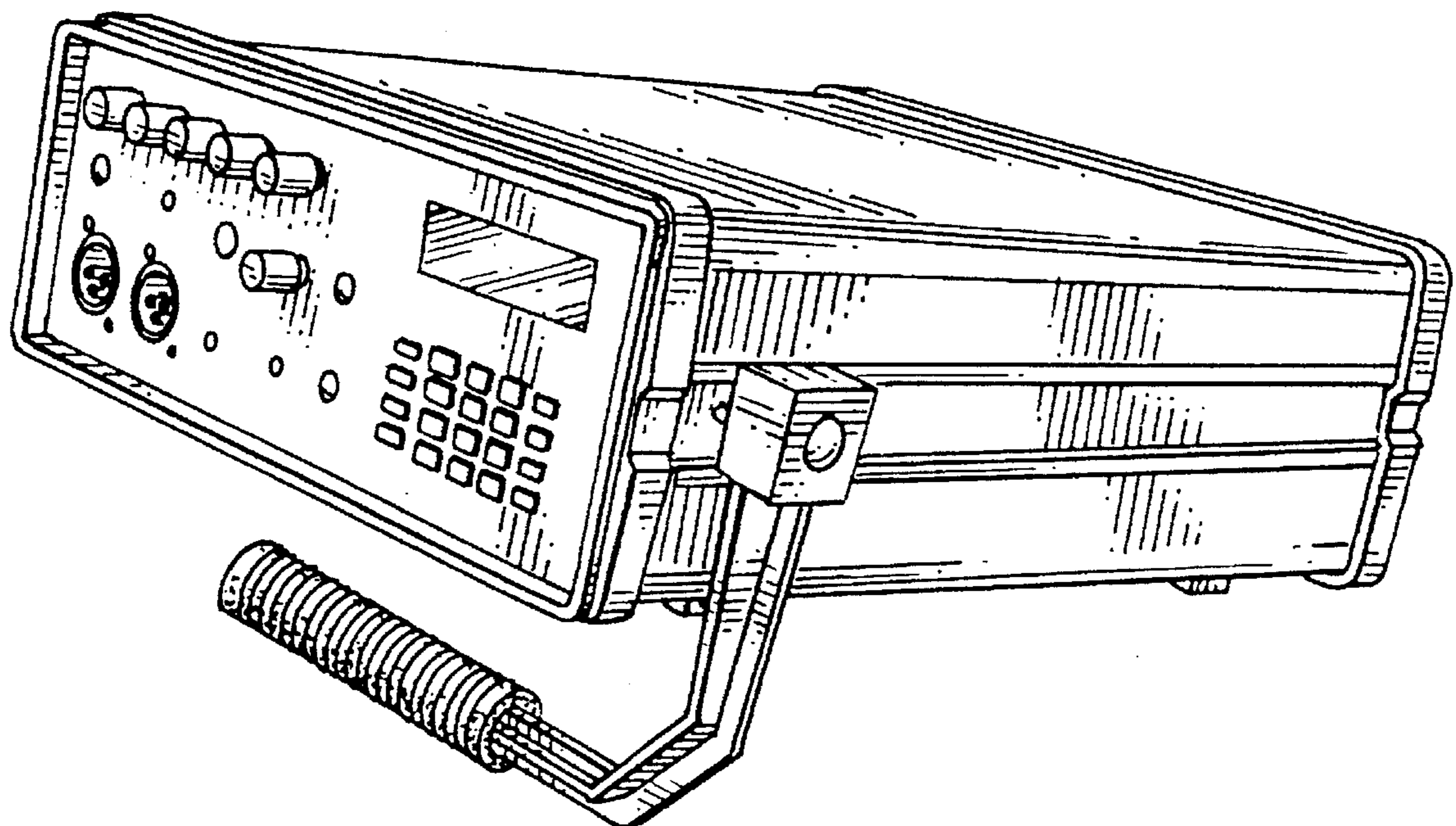


FIG. 1

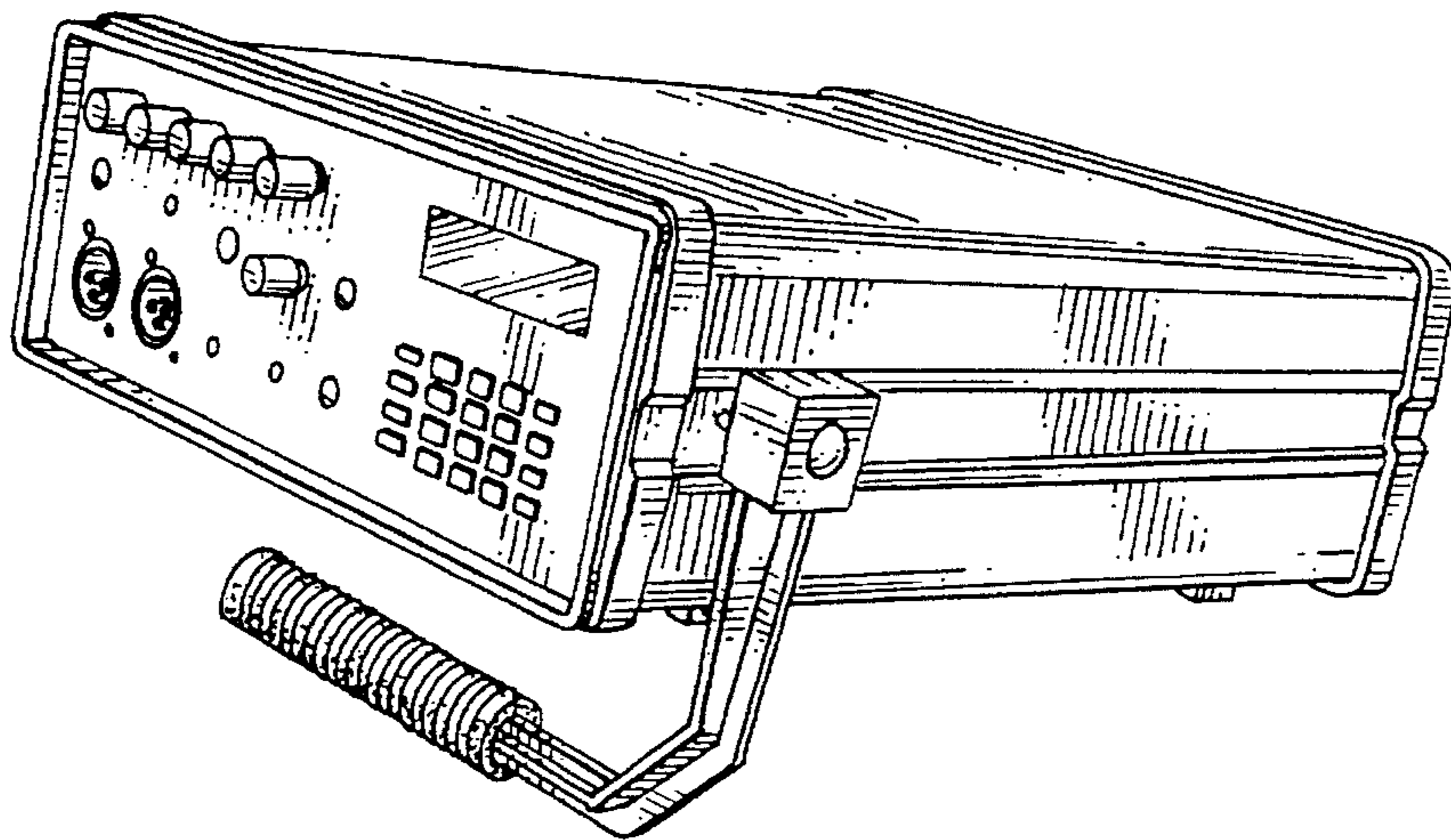


FIG. 2

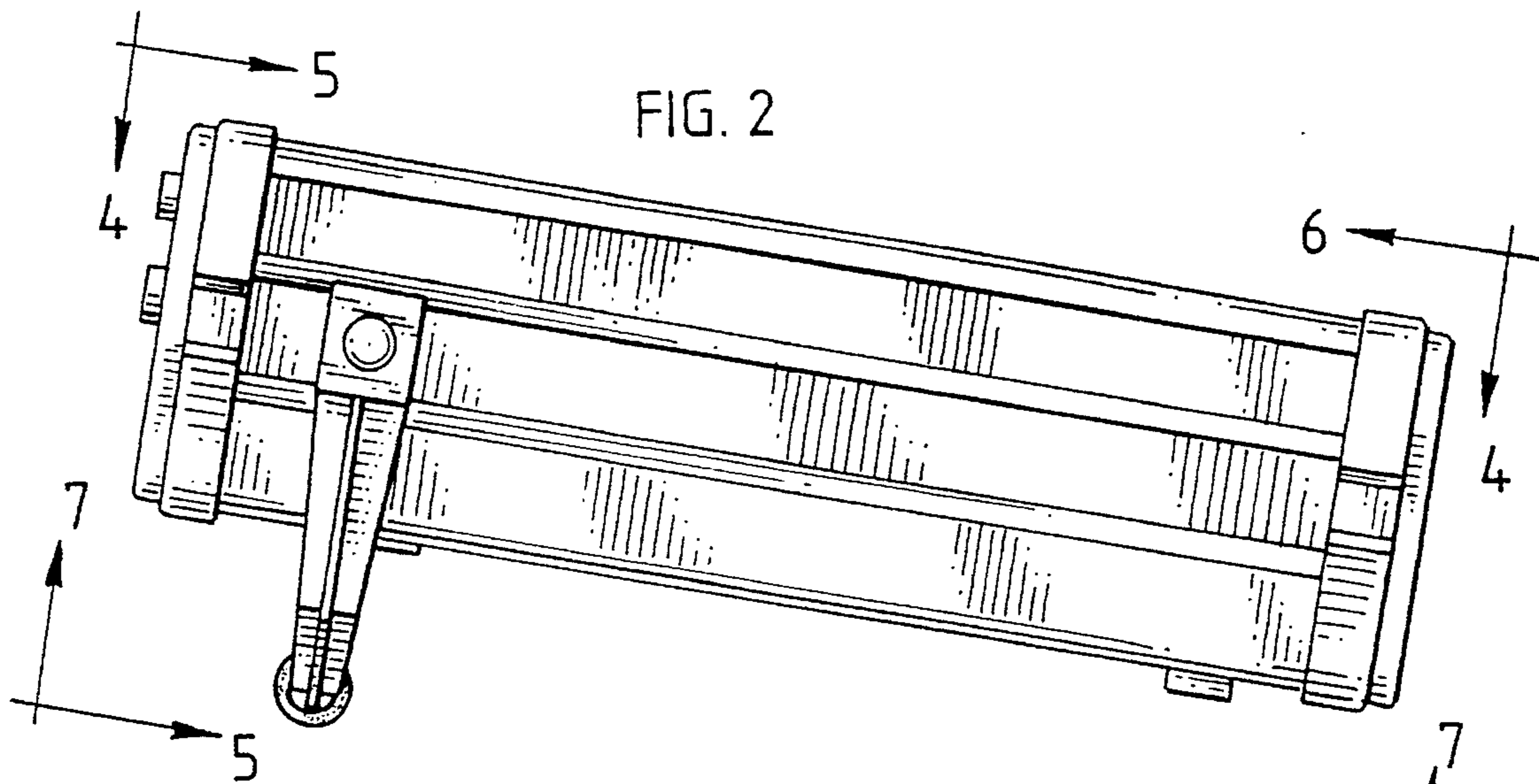


FIG. 3

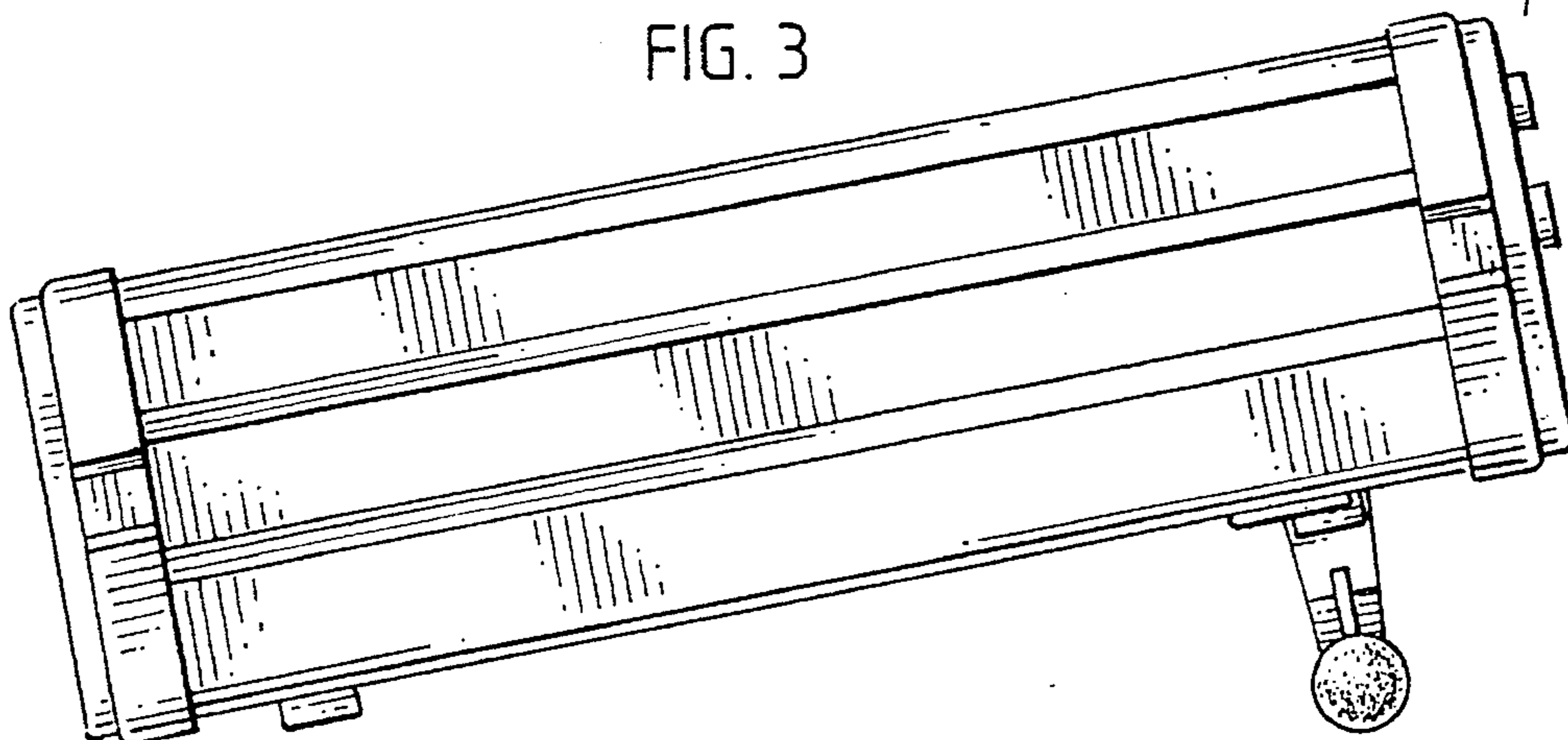


FIG. 4

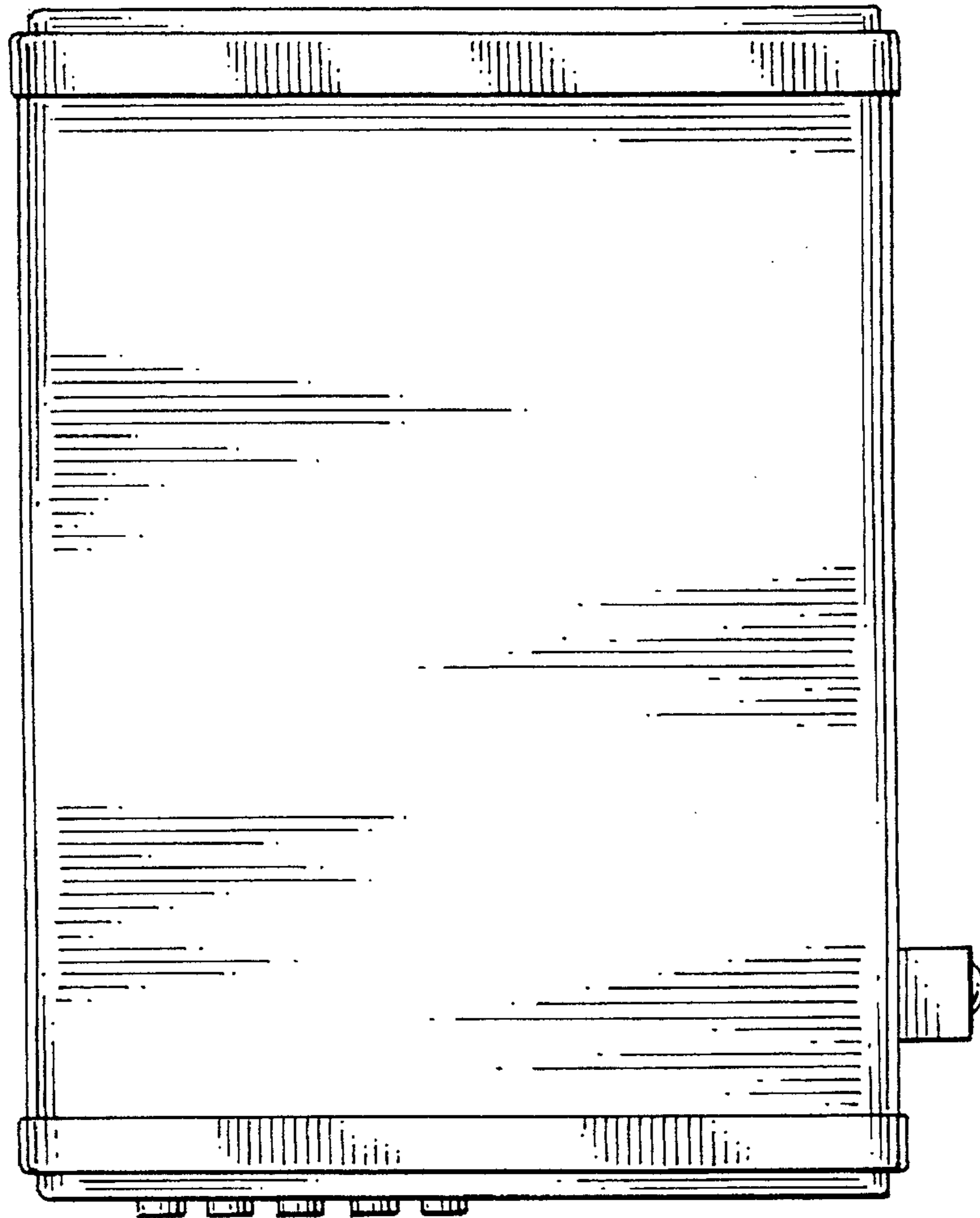


FIG. 5

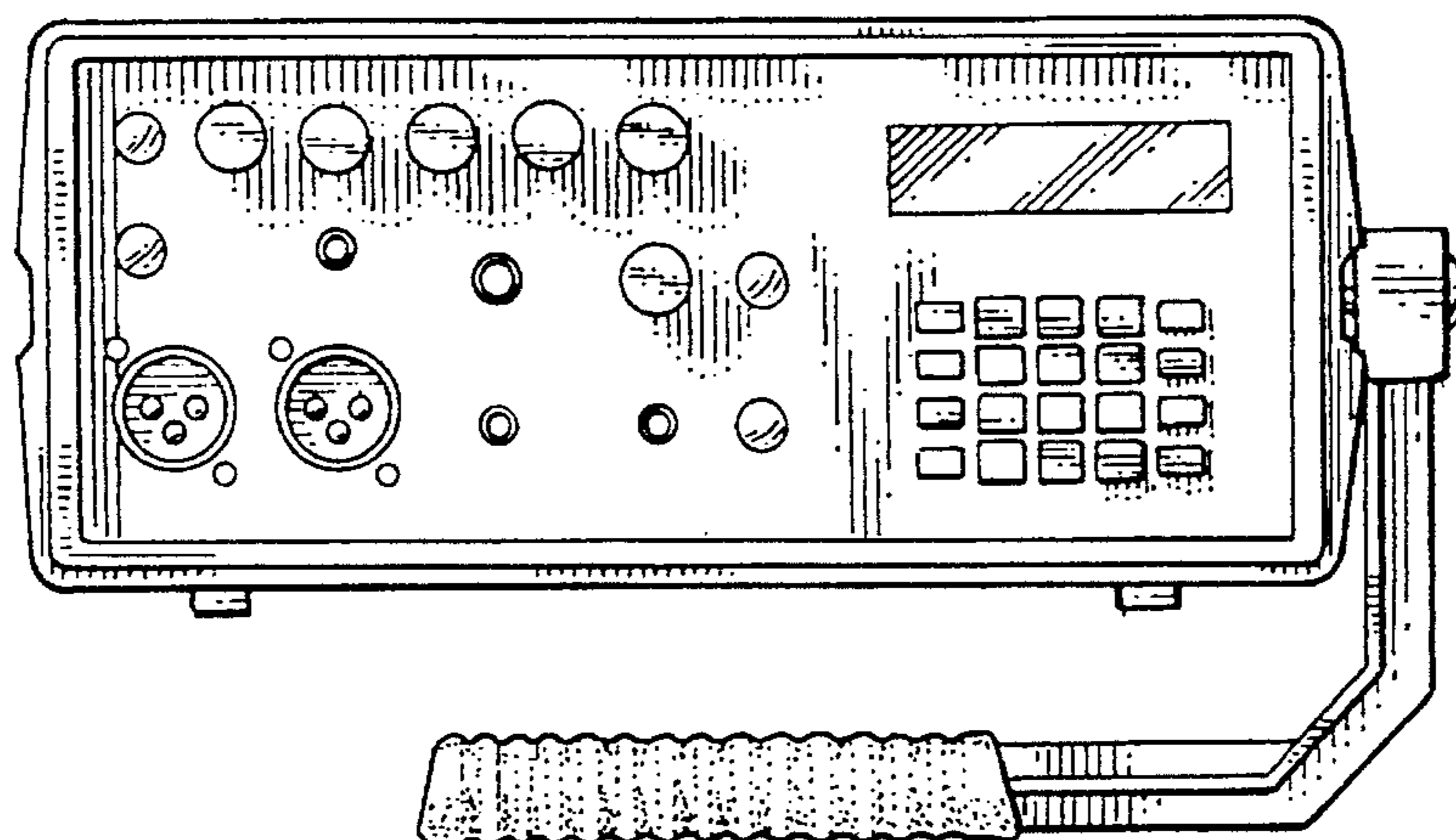


FIG. 6

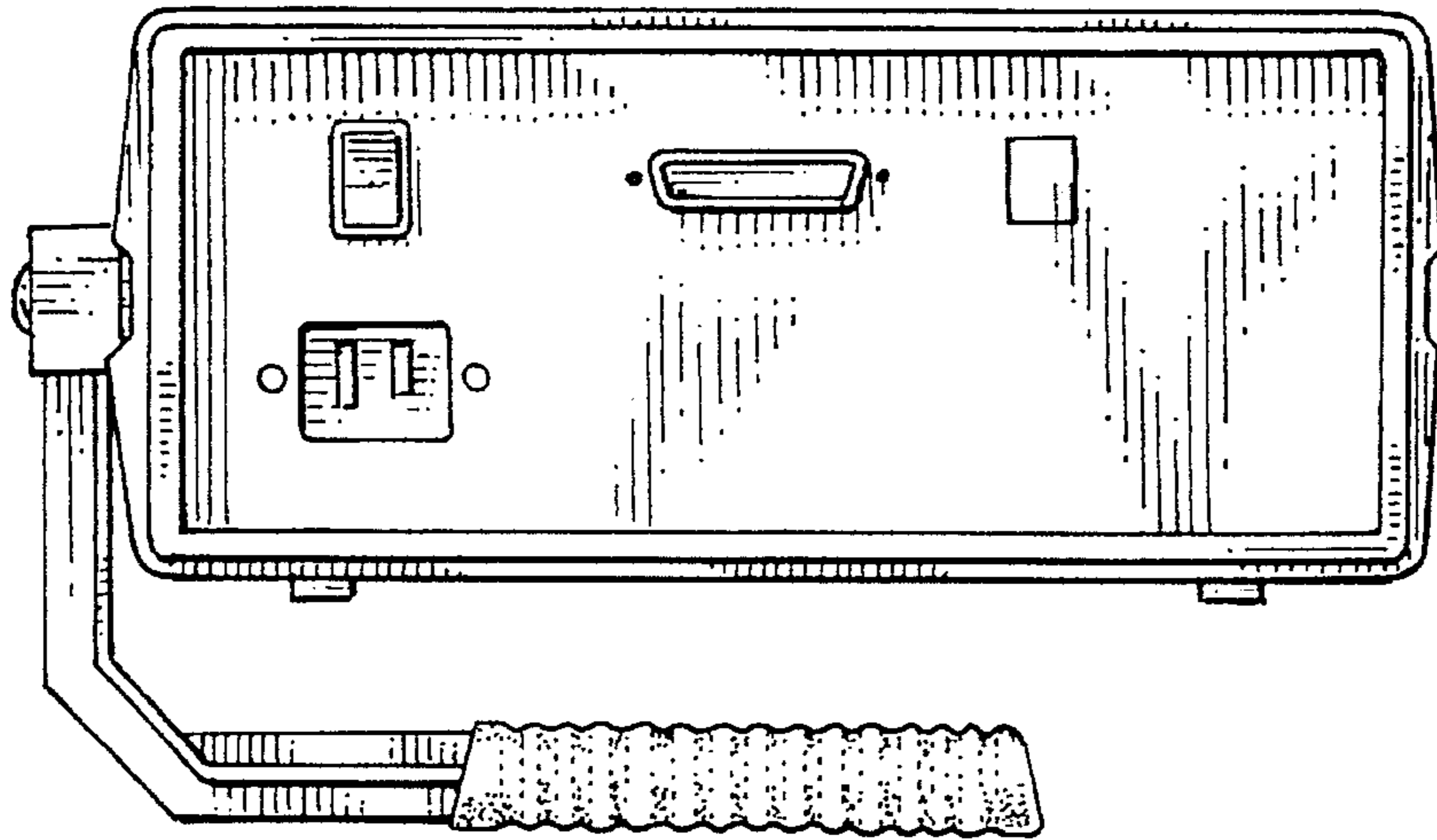


FIG. 7

