



US00D373766S

United States Patent [19]

Solomita et al.

[11] Patent Number: **Des. 373,766**

[45] Date of Patent: ****Sep. 17, 1996**

[54] TELEPHONE ANSWERING MACHINE

[75] Inventors: **Anthony Solomita**, Norwalk, Conn.;
Rita O'Connor, Mamaroneck, N.Y.

[73] Assignee: **Conair Corporation**, Stamford, Conn.

[**] Term: **14 Years**

[21] Appl. No.: **45,106**

[22] Filed: **Oct. 10, 1995**

[52] U.S. Cl. **D14/141**; D14/240

[58] Field of Search D14/140, 141,
D14/137, 100, 107, 240, 149, 142, 241,
155, 159, 170, 195; 379/76, 77, 419, 420,
428, 440; D10/15

[56] **References Cited**

U.S. PATENT DOCUMENTS

D. 150,861	9/1948	Hruska et al.	D14/142
D. 235,518	6/1975	Watanabe	D10/15
D. 241,522	9/1976	Tateishi	D10/15
D. 258,882	4/1981	Beecher, II et al.	D14/149

D. 305,121	12/1989	Pfeifer et al.	D14/141 X
D. 338,889	8/1993	Fuqua et al.	D14/240
D. 350,359	9/1994	Yatabe et al.	D14/141
D. 352,709	11/1994	Solomita et al.	D14/141
D. 363,282	10/1995	Wicks et al.	D14/141

Primary Examiner—Jeffrey Asch
Attorney, Agent, or Firm—Ohlandt, Greeley, Ruggiero & Perle

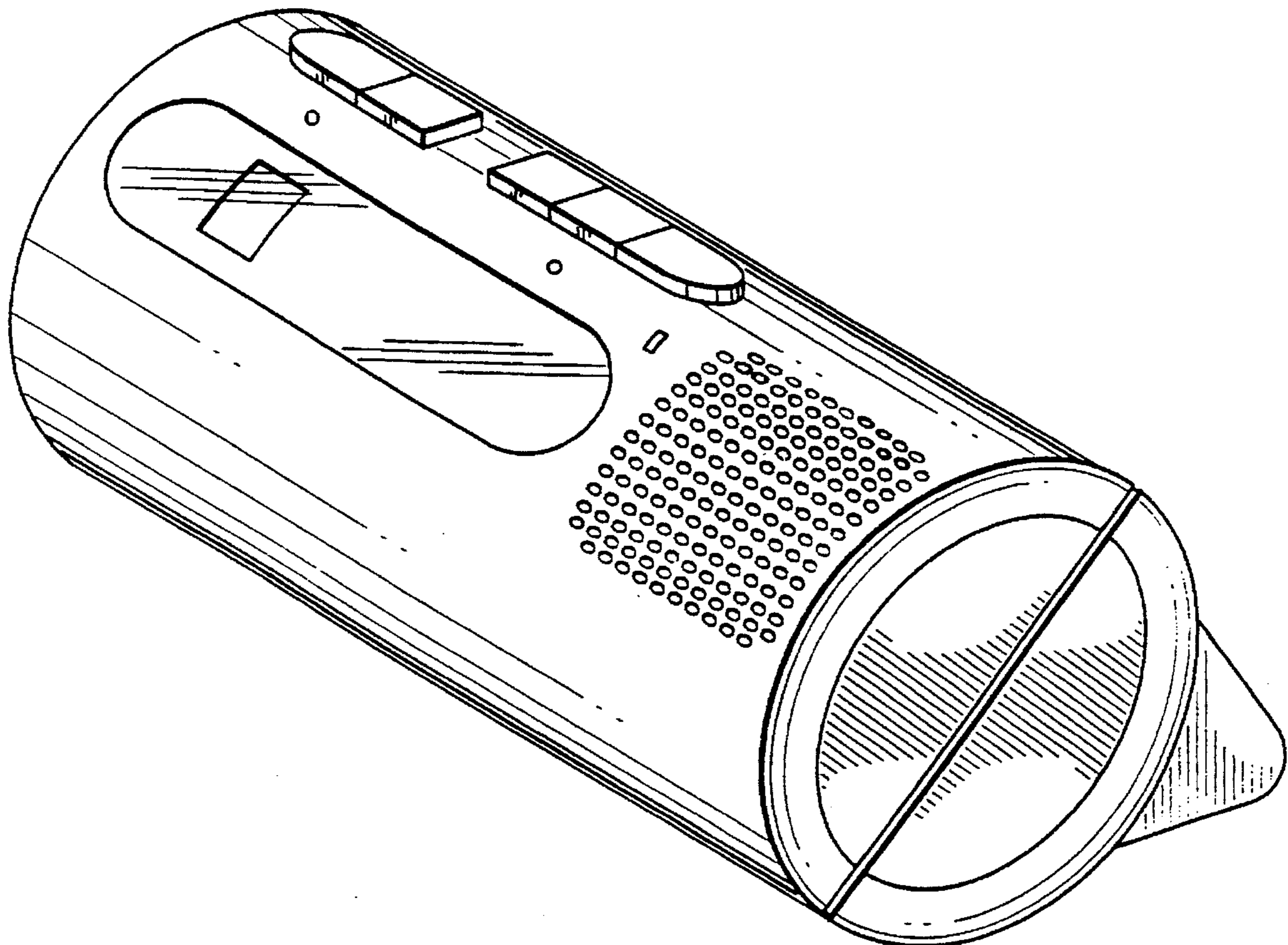
[57] **CLAIM**

The ornamental design for a telephone answering machine, as shown and described.

DESCRIPTION

FIG. 1 is a perspective view of a telephone answering machine showing our new design; FIG. 2 is a front elevation view thereof; FIG. 3 is rear elevation view thereof; FIG. 4 is a top plan view thereof; FIG. 5 is a bottom plan view thereof; FIG. 6 is a left side elevation view thereof; and, FIG. 7 is a right side elevation view thereof.

1 Claim, 2 Drawing Sheets



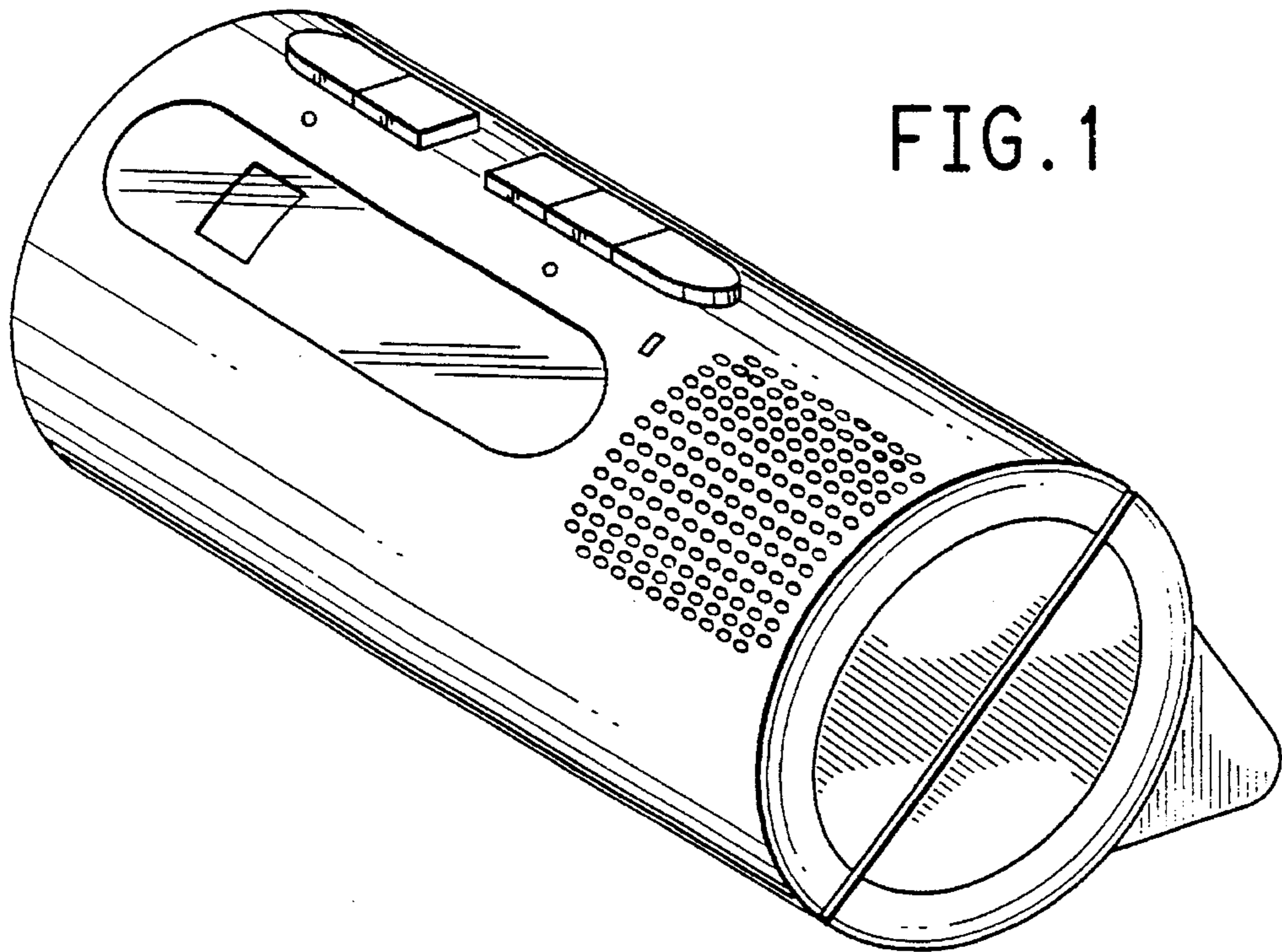


FIG. 1

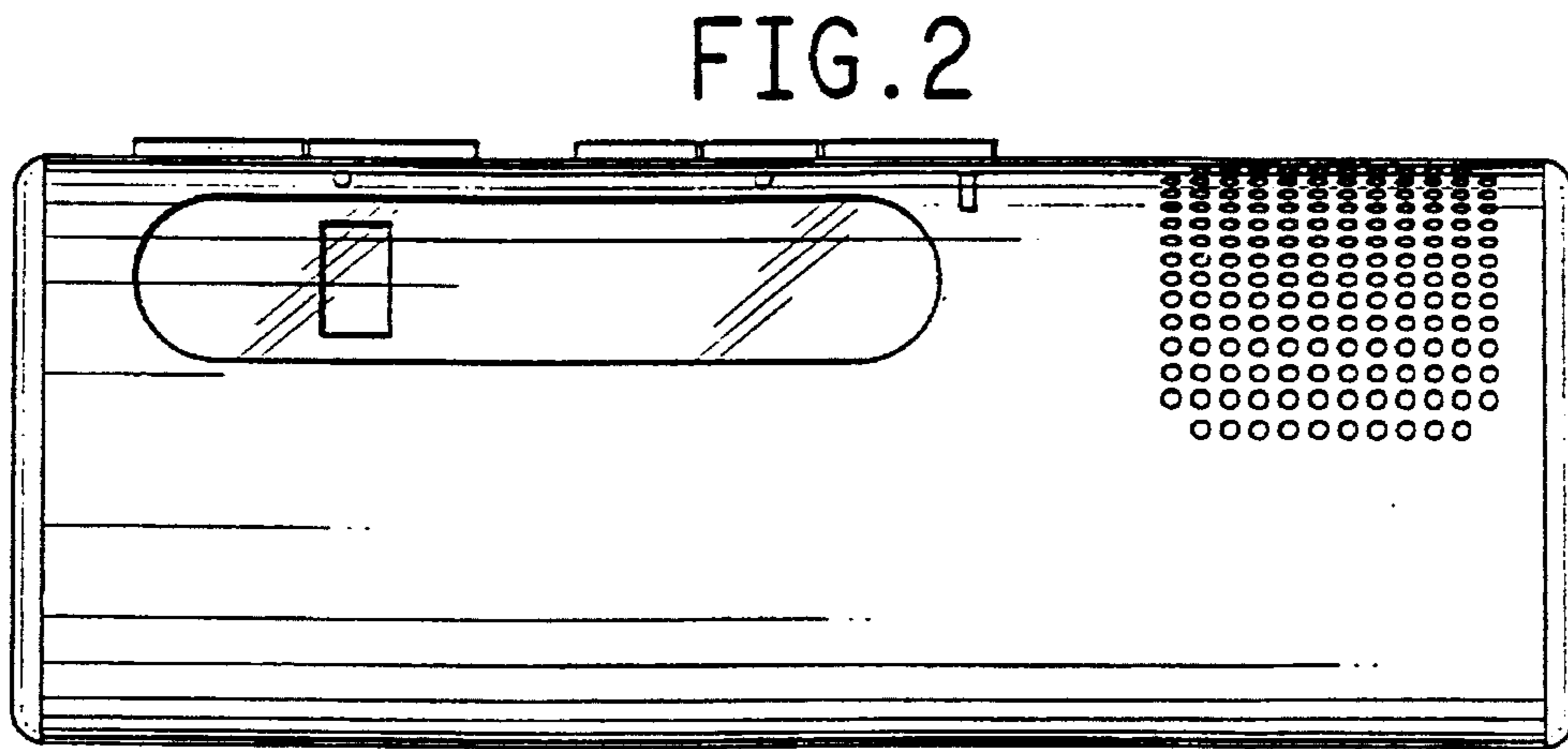


FIG. 2

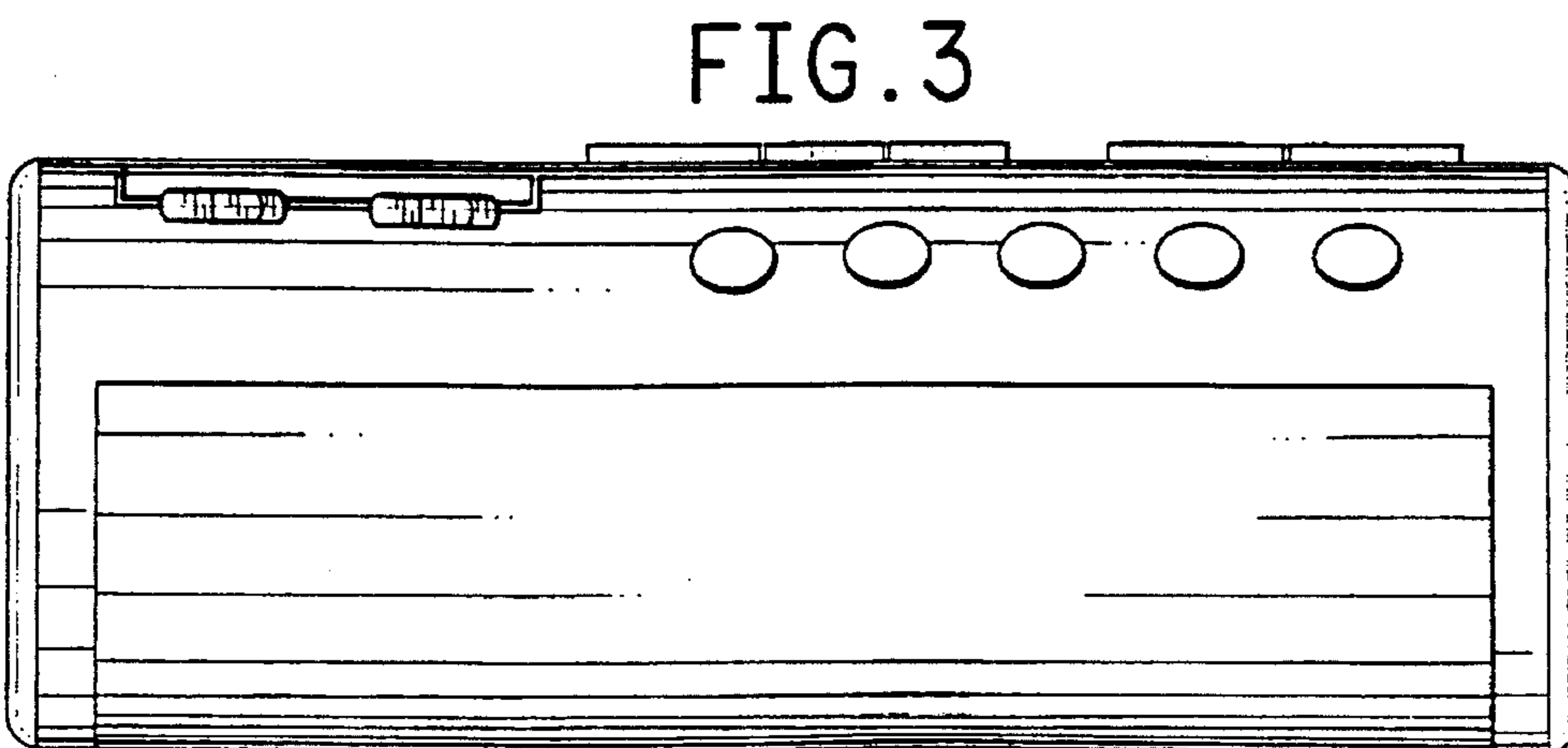


FIG. 3

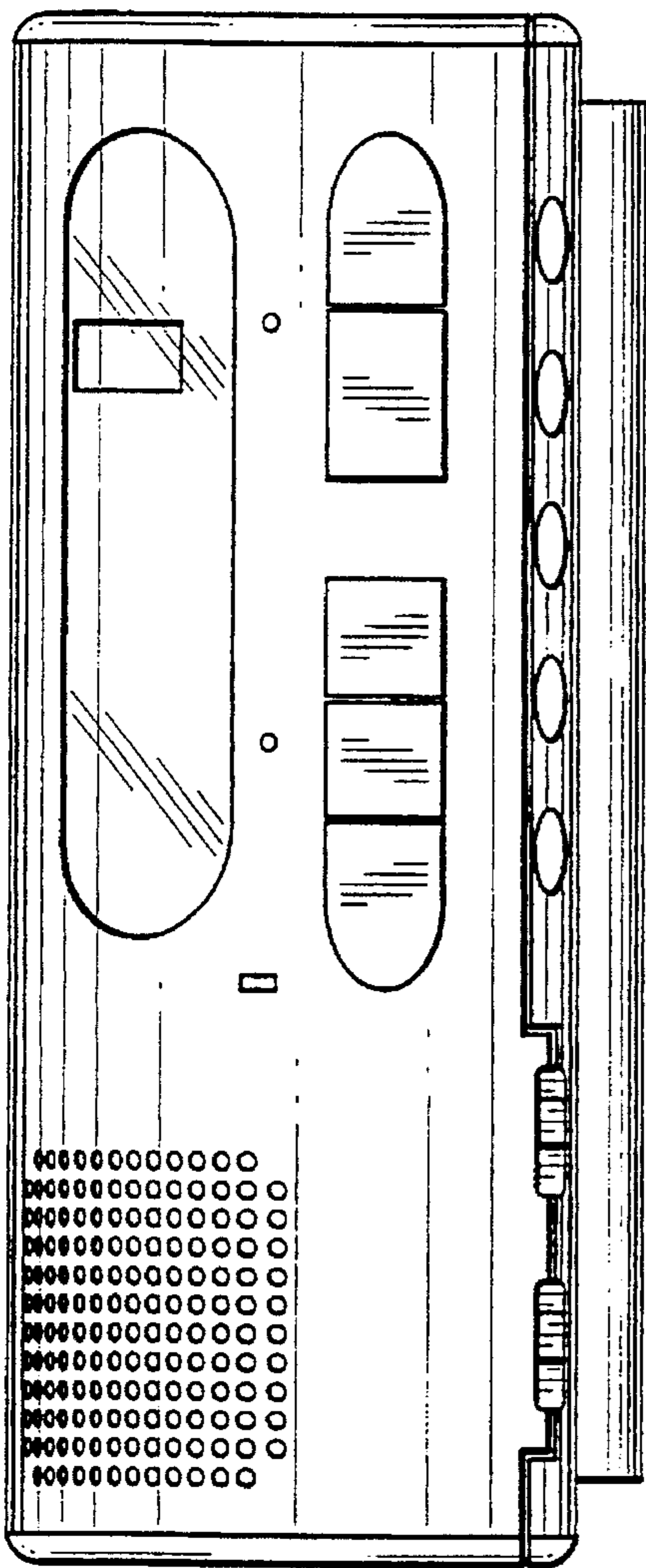


FIG. 4

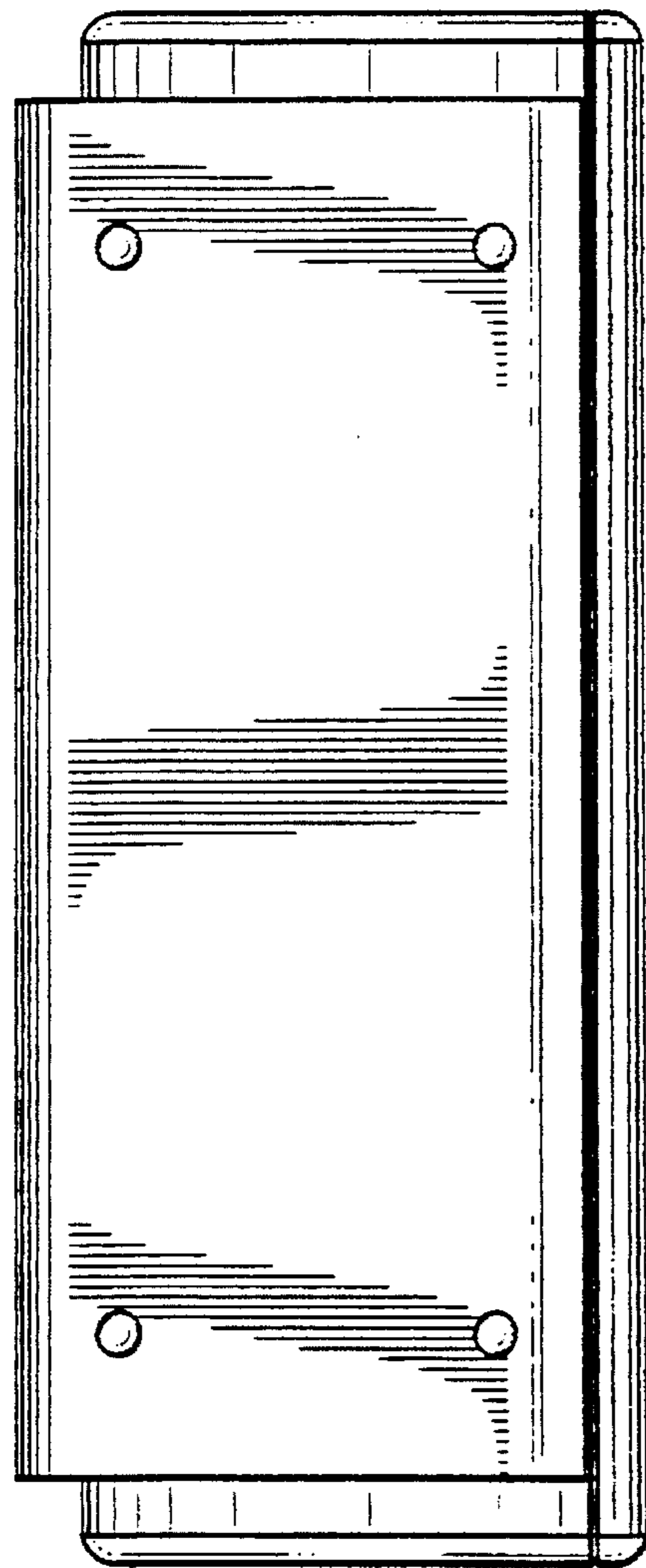


FIG. 5

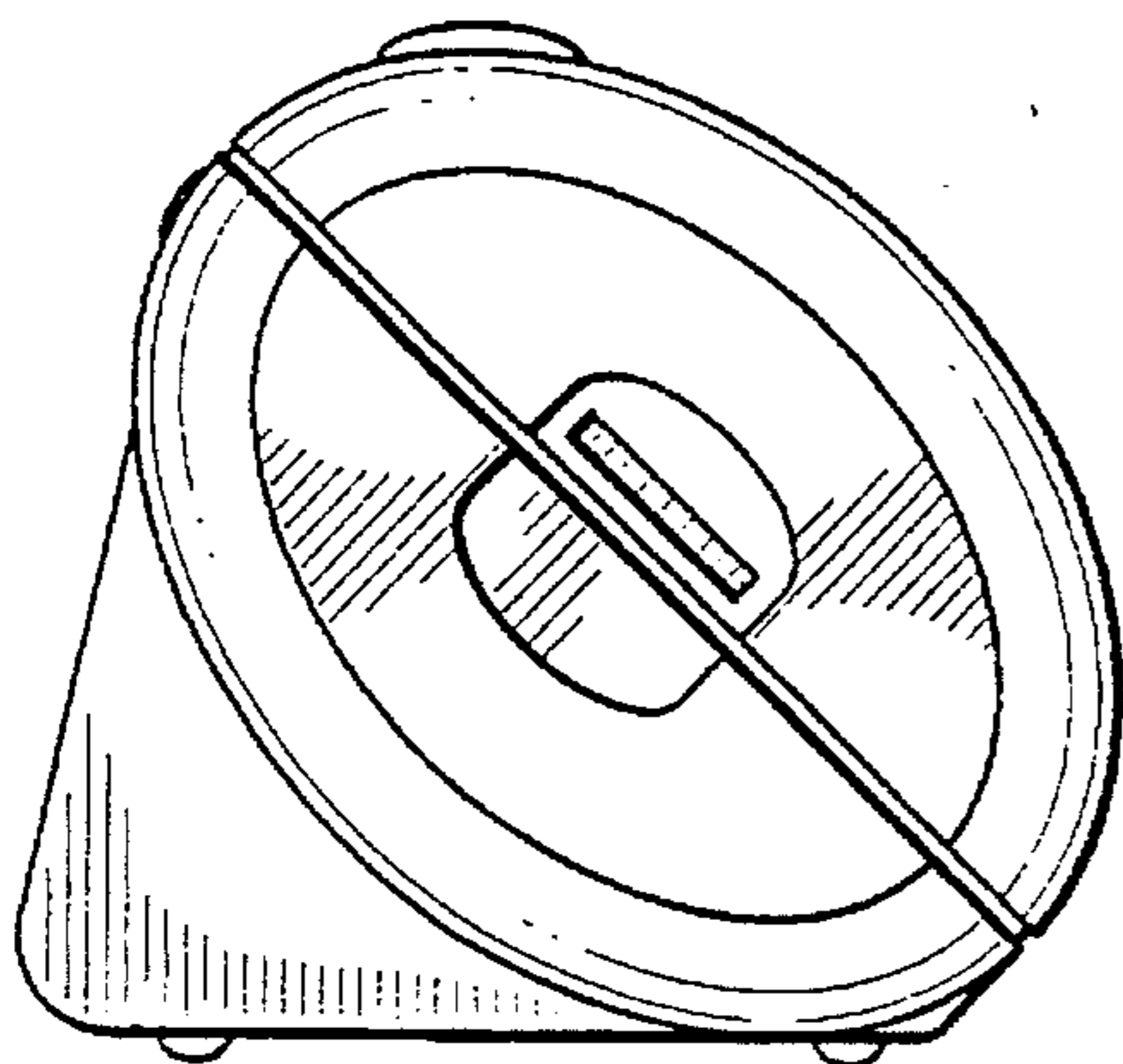


FIG. 6

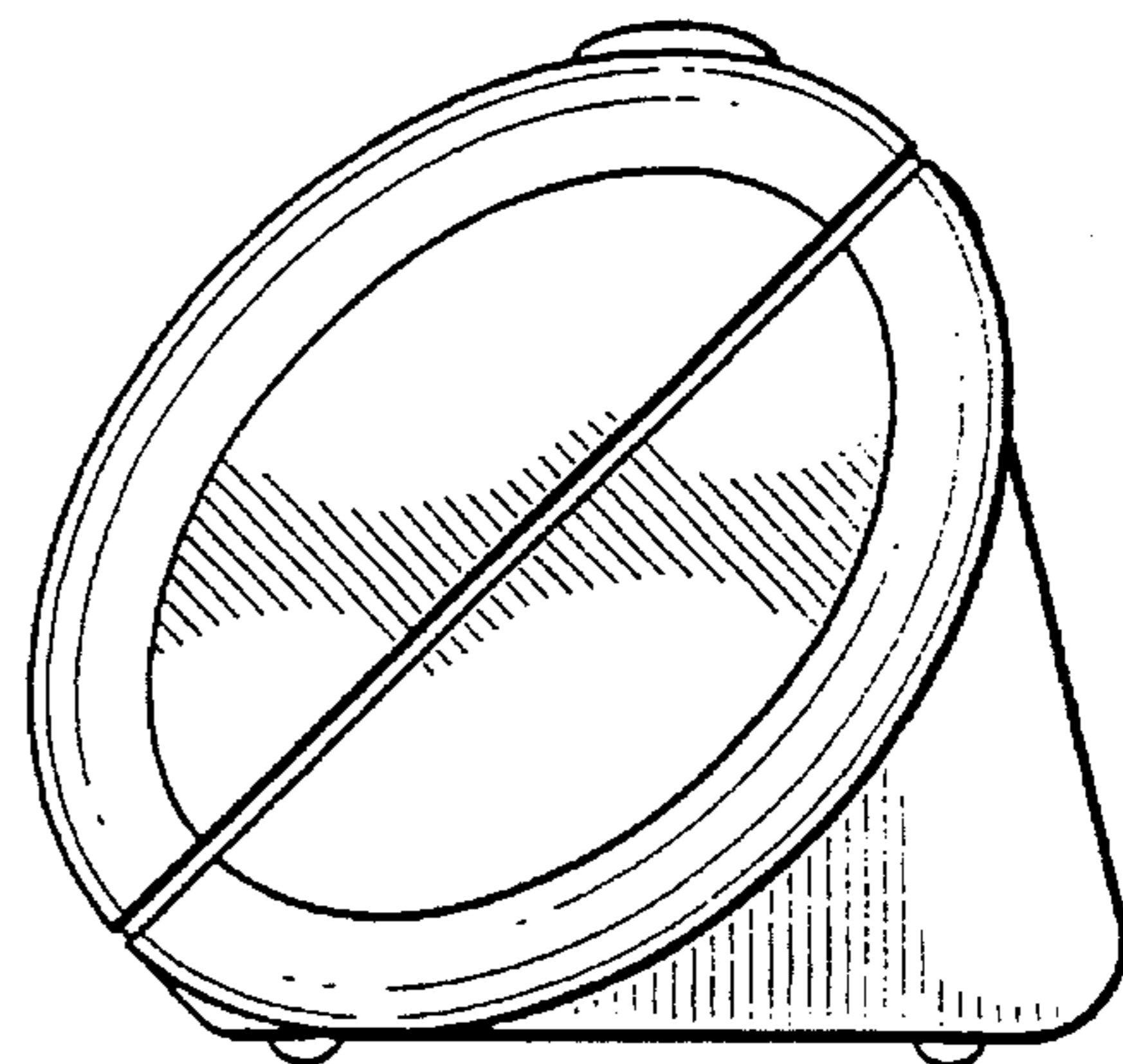


FIG. 7