



US00D373759S

United States Patent [19]

Tanaka et al.

[11] Patent Number: **Des. 373,759**

[45] Date of Patent: ***** Sep. 17, 1996**

[54] **LIGHT RECEIVING MODULE**

[75] Inventors: **Masao Tanaka; Susumu Maeta; Takashi Yamaoka**, all of Tottori-ken, Japan

[73] Assignees: **Sanyo Electric Co., Ltd.**, Osaka-fu; **Tottori Sanyo Electric Co., Ltd.**, Tottori-ken, both of Japan

[*] Notice: The portion of the term of this patent subsequent to Nov. 28, 2009, has been disclaimed.

[**] Term: **14 Years**

[21] Appl. No.: **31,295**

[22] Filed: **Nov. 21, 1994**

[30] **Foreign Application Priority Data**

Jun. 20, 1994 [JP] Japan 6-18264

[52] U.S. Cl. **D13/165**

[58] Field of Search D13/165, 182; 174/52.4; 361/730, 752; 250/239; 257/432

[56] **References Cited**

U.S. PATENT DOCUMENTS

D. 278,049	3/1985	Takahashi et al.	D13/182
4,650,998	3/1987	Martin	250/239
4,704,525	11/1987	Shimaoka et al.	250/239
4,967,312	10/1990	Ozawa et al.	361/752
5,013,911	5/1991	Koshida et al.	250/239

5,032,953	7/1991	Carl et al.	D13/182 X
5,302,778	4/1994	Maurinus	257/432 X
5,365,062	11/1994	Saffari et al.	250/239

FOREIGN PATENT DOCUMENTS

812417	1/1991	Japan .
874427	4/1993	Japan .
874428	4/1993	Japan .

OTHER PUBLICATIONS

LED circuit board indicators on p. 155 of *Arrow Electronics* catalog ©1988.

Infrared emitters on p. 166 of *Arrow Electronics* catalog ©1988.

Primary Examiner—Joel Sincavage

Attorney, Agent, or Firm—Darby & Darby, P.C.

[57] **CLAIM**

The ornamental design for a light receiving module, as shown.

DESCRIPTION

FIG. 1 is a top, front, and right side perspective view of our new design for a light receiving module; FIG. 2 is a front elevation view thereof; FIG. 3 is a rear elevation view thereof; FIG. 4 is a top plan view thereof; FIG. 5 is a bottom plan view thereof; FIG. 6 is a left side elevation view thereof; and, FIG. 7 is a right side elevation view thereof.

1 Claim, 2 Drawing Sheets

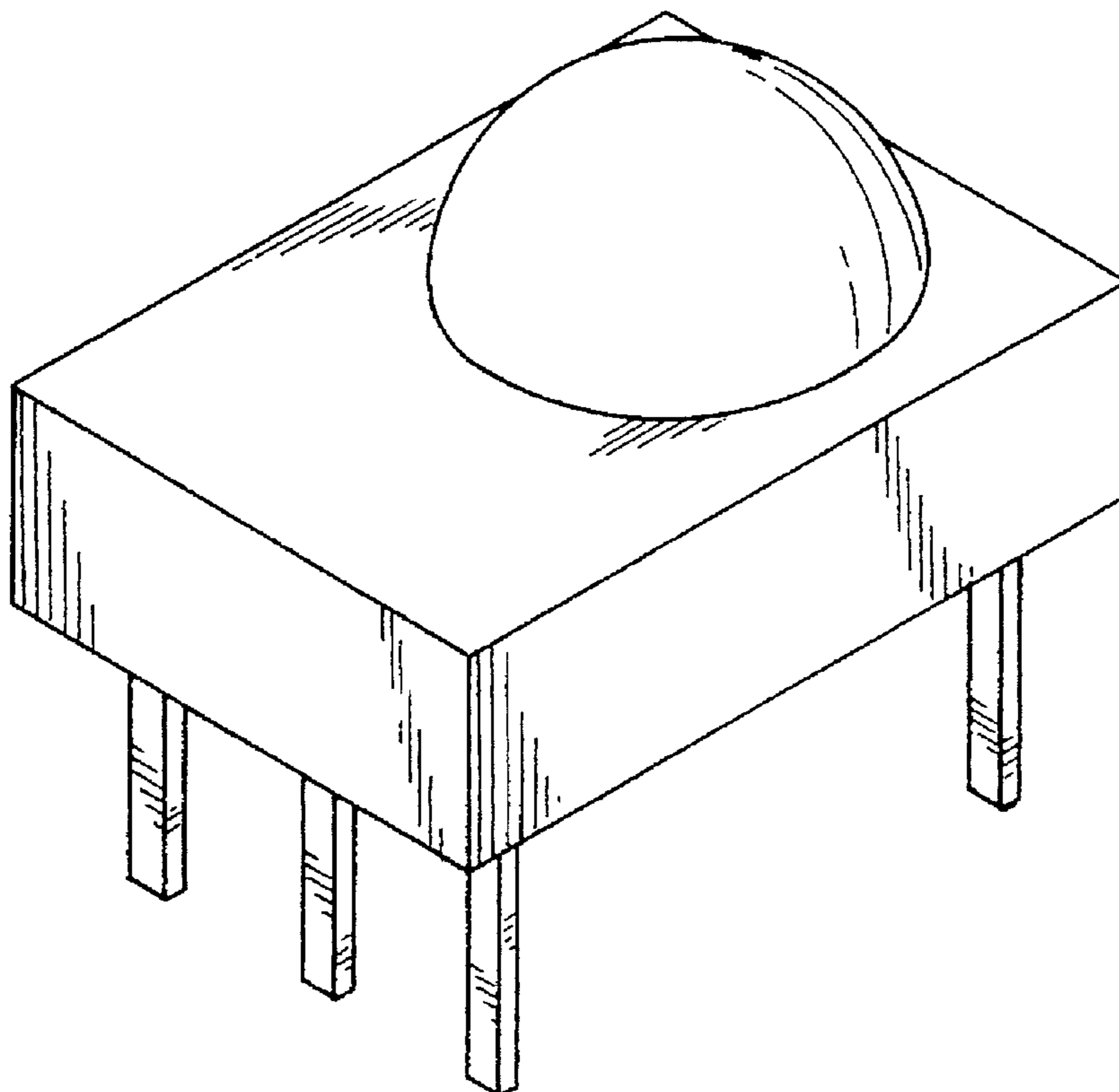


FIG. 1

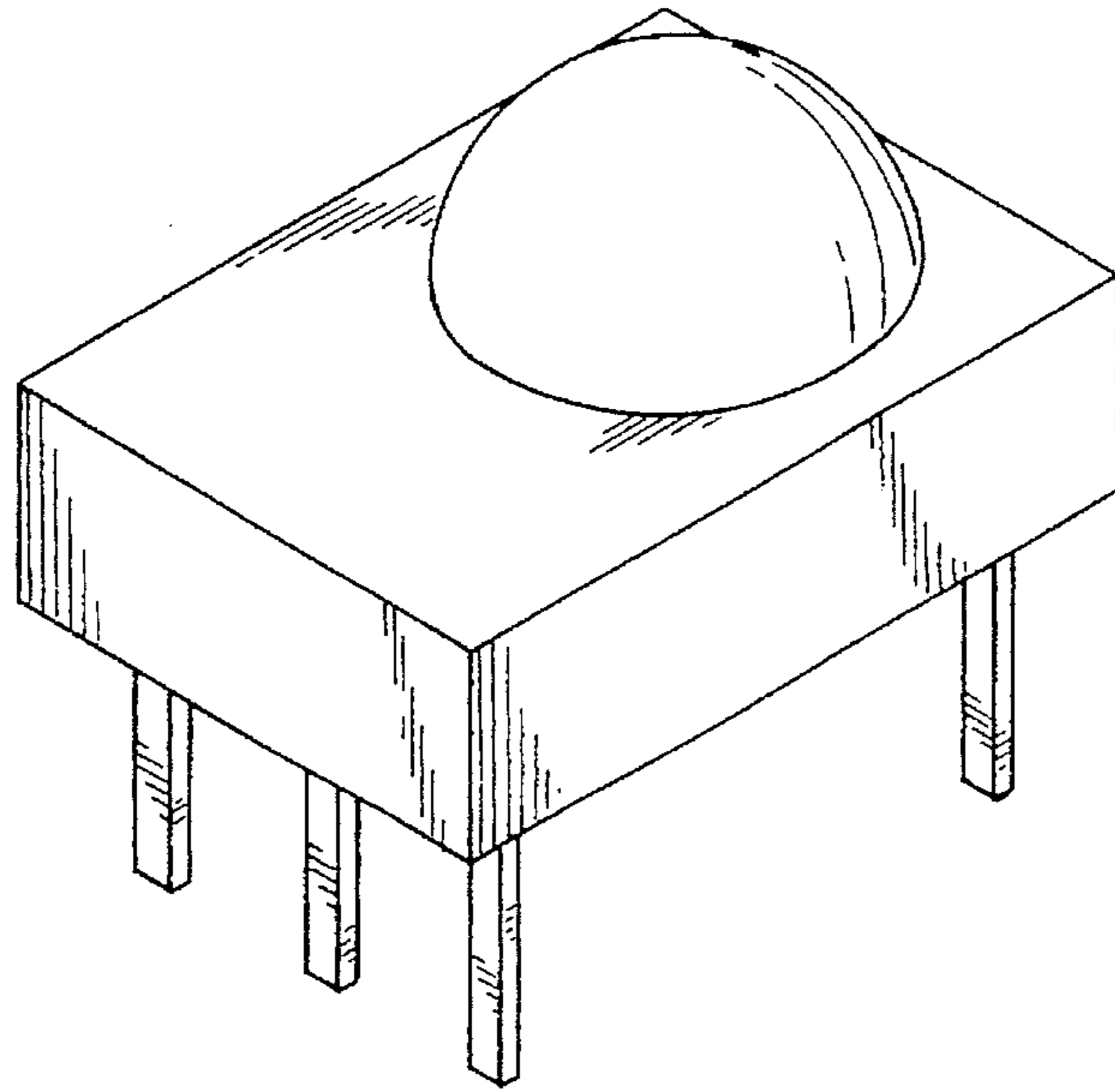


FIG. 2

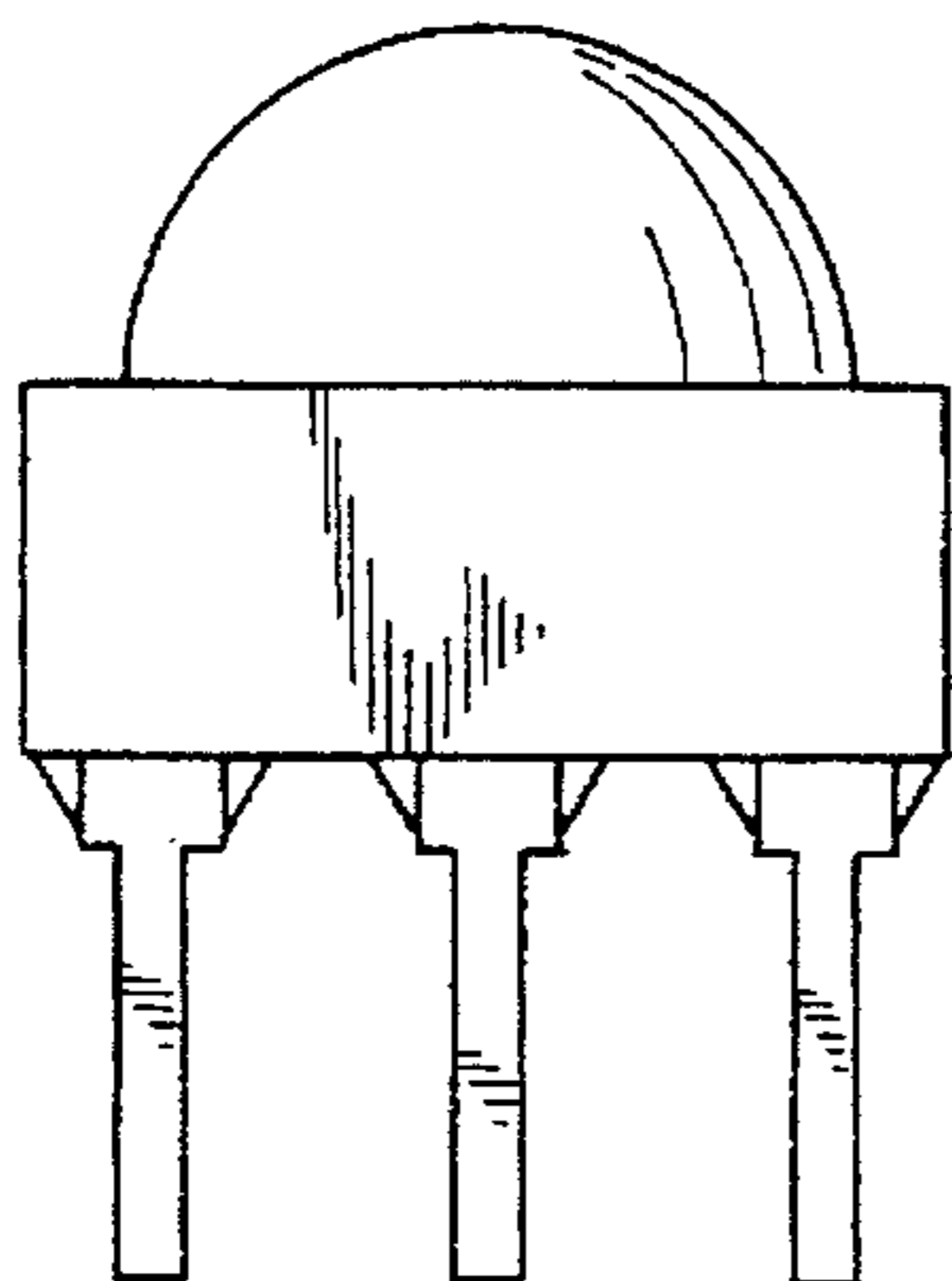


FIG. 3

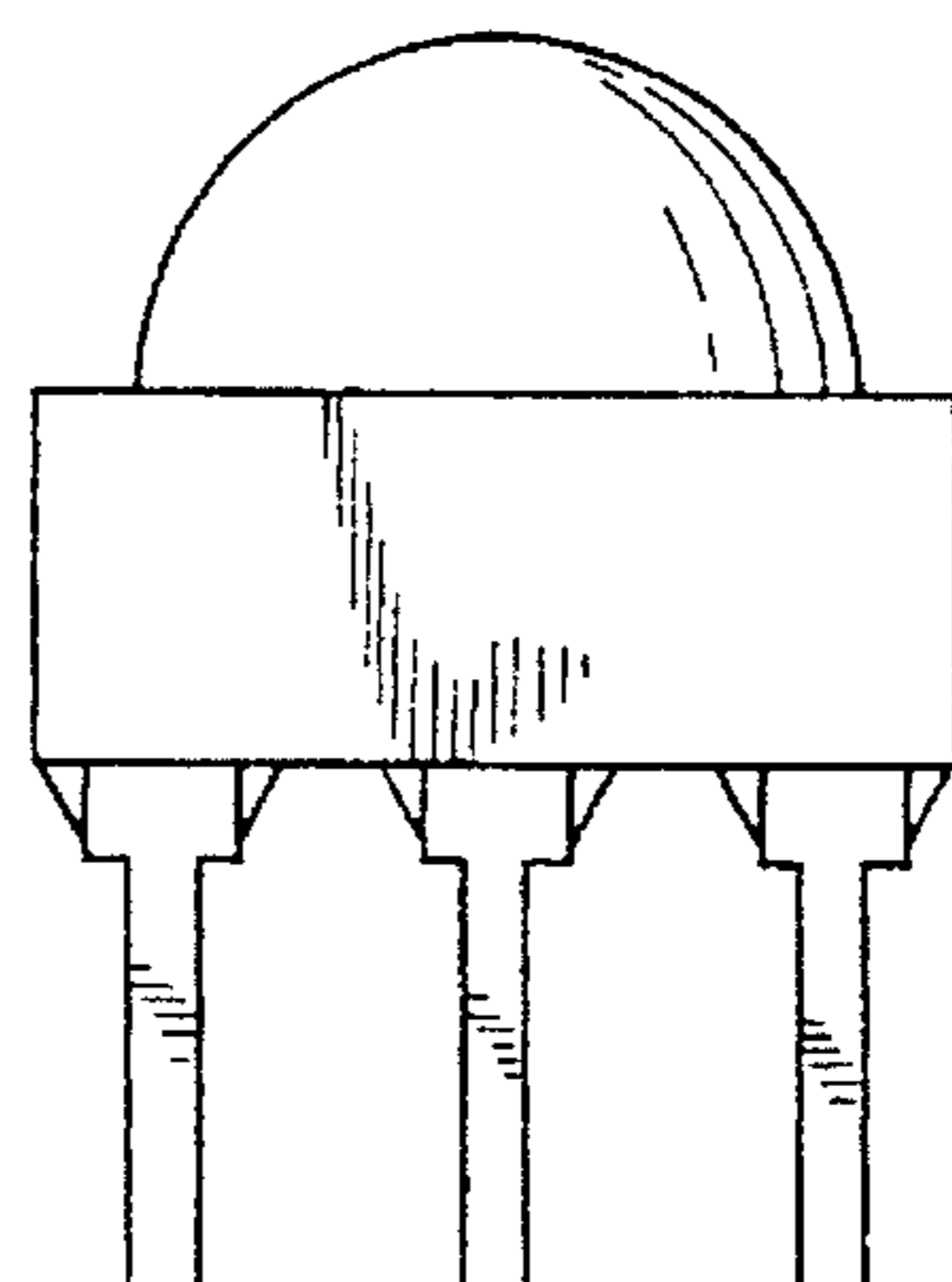


FIG. 4

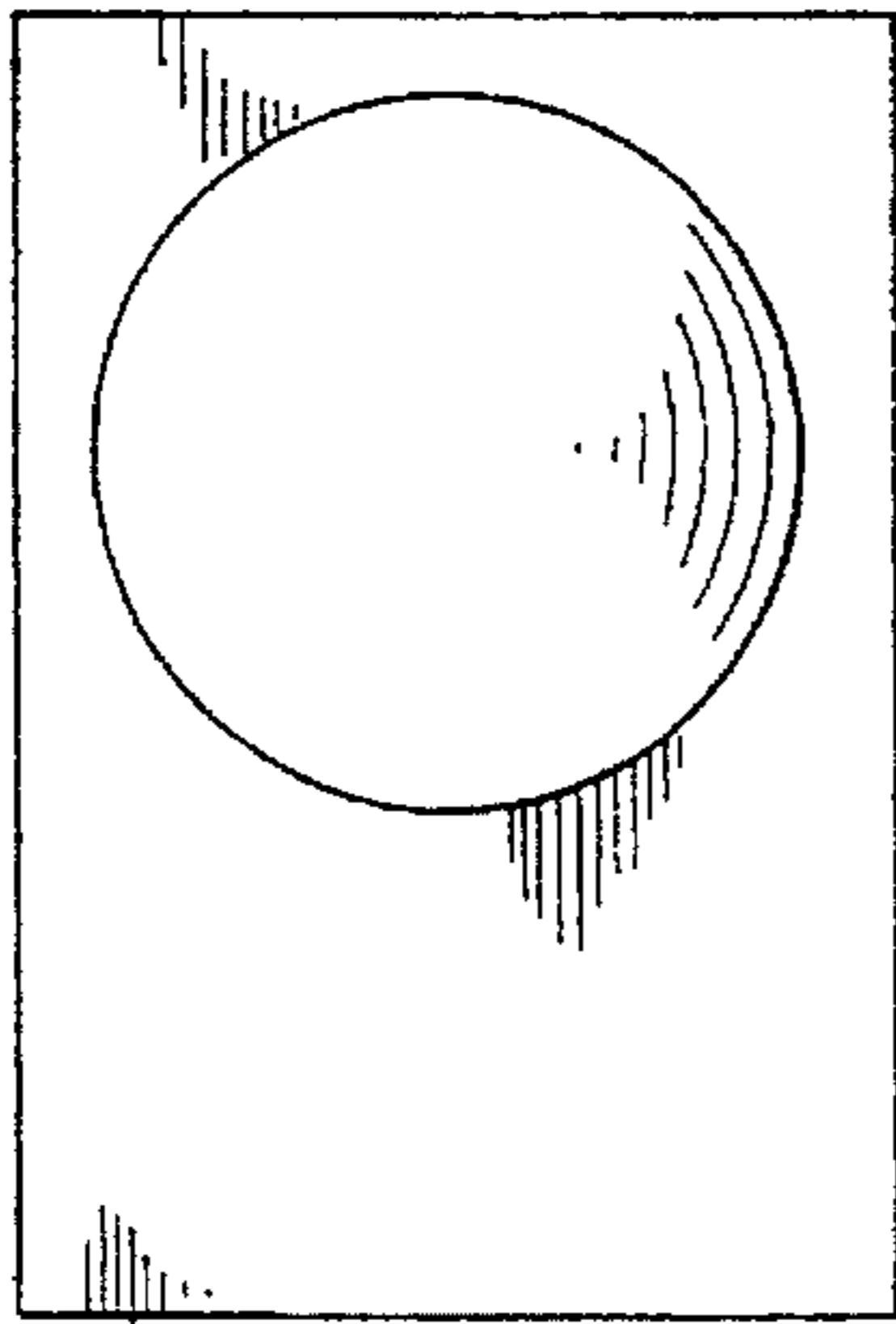


FIG. 5

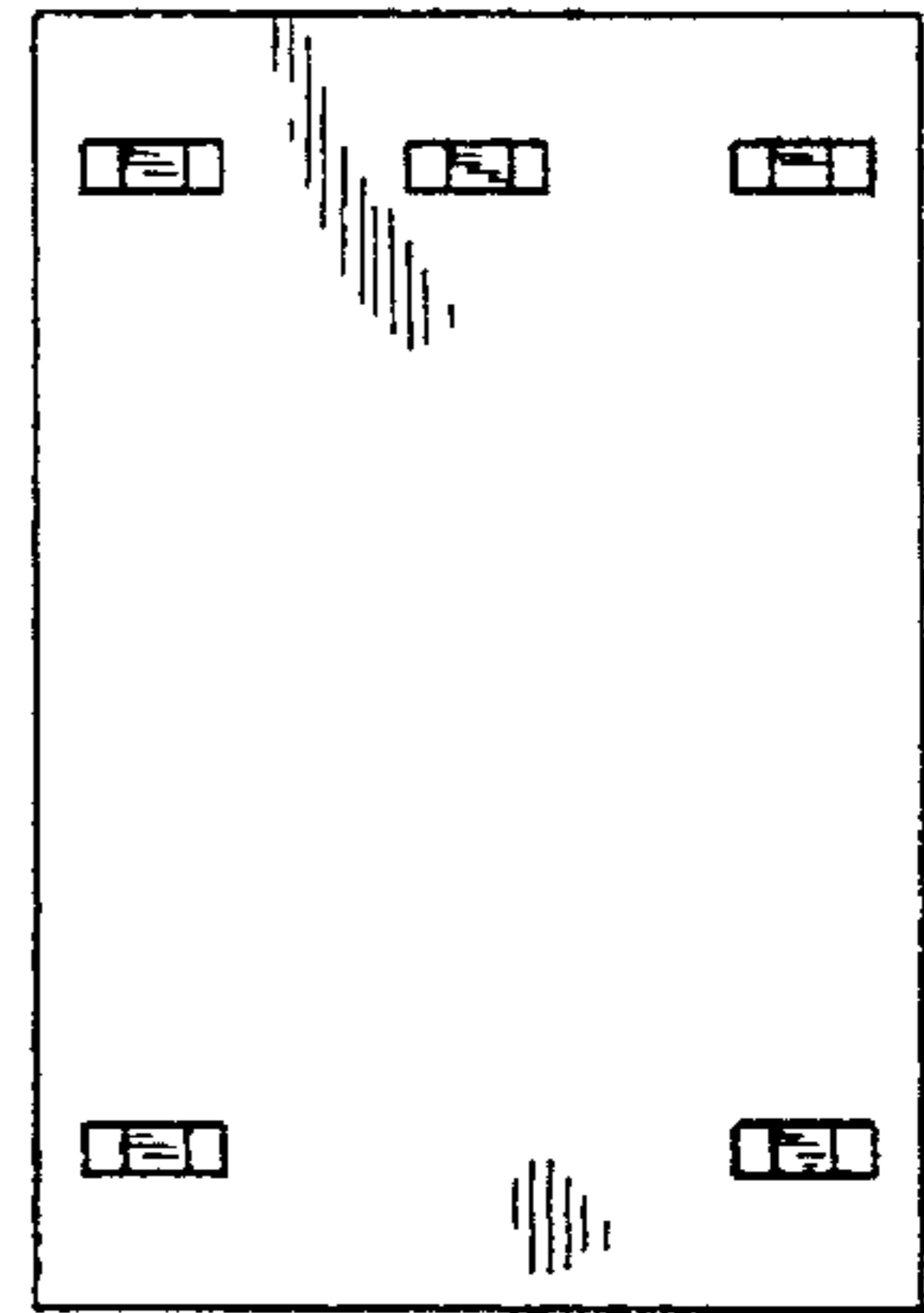


FIG. 6

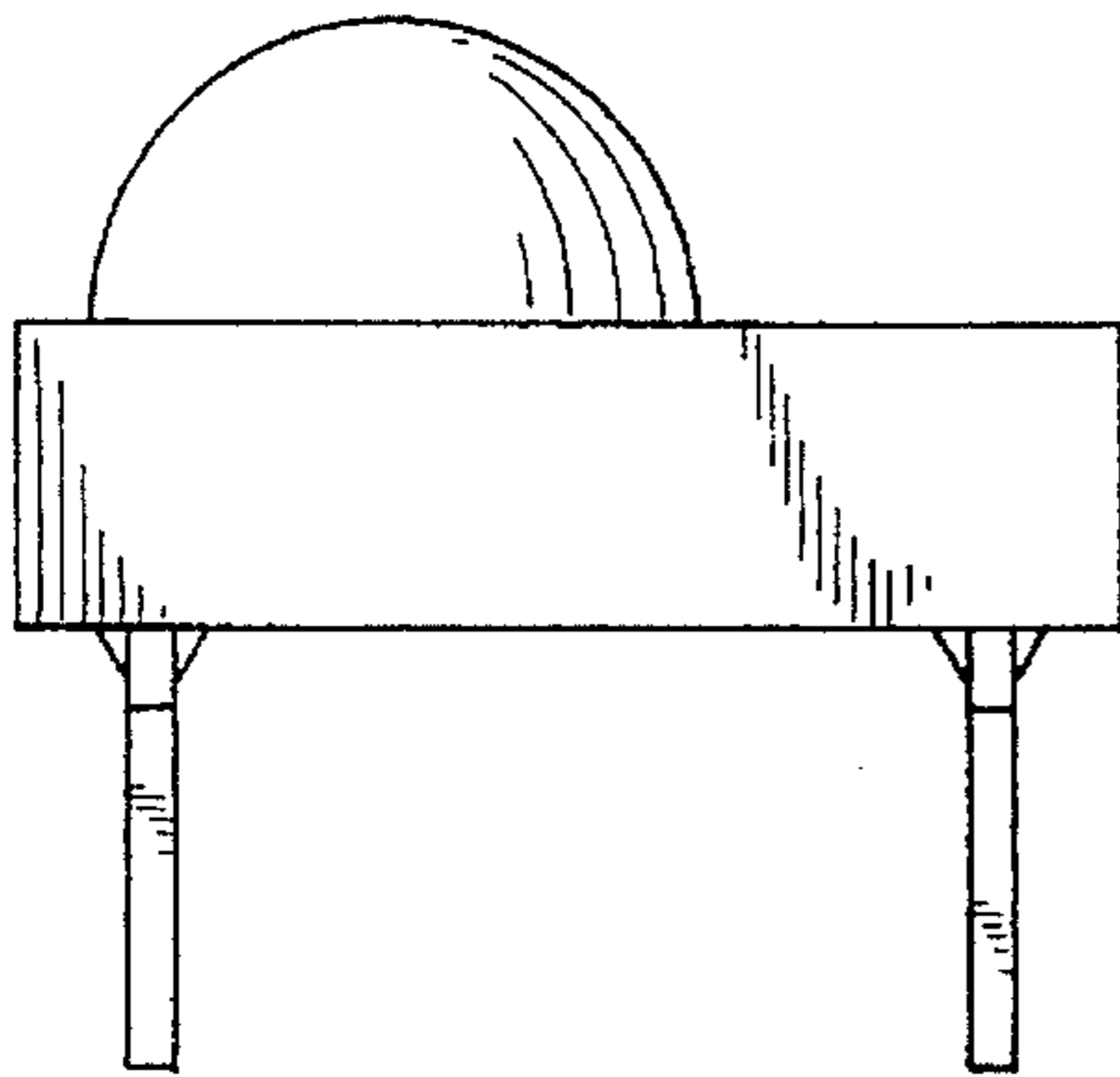


FIG. 7

