



US00D373758S

United States Patent [19]

[11] Patent Number: **Des. 373,758**

Nogas

[45] Date of Patent: ****Sep. 17, 1996**

[54] **COMBINED CONNECTION CABINET AND PRINTED CIRCUIT BOARD HOUSINGS**

Primary Examiner—Joel Sincavage
Attorney, Agent, or Firm—Levine & Mandelbaum

[75] Inventor: **David A. Nogas**, Ottawa, Canada

[57] **CLAIM**

[73] Assignee: **Mitel Corporation**, Kanata, Canada

The ornamental design for a combined connection cabinet and printed circuit board housings, as shown and described.

[**] Term: **14 Years**

DESCRIPTION

[21] Appl. No.: **40,916**

FIG. 1 is a front and upper right isometric view of a combined connection cabinet and printed circuit board housings showing my new design;

[22] Filed: **Jun. 26, 1995**

FIG. 2 is a right elevation of the design;

Related U.S. Application Data

[63] Continuation of Ser. No. 4,342, Feb. 2, 1993.

FIG. 3 is a left elevation of the design;

Foreign Application Priority Data

May 8, 1995 [CA] Canada 05-08-92-6

FIG. 4 is a bottom view of the design;

[52] U.S. Cl. **D13/162**

FIG. 5 is a top view of the design;

[58] Field of Search D13/162, 164;
D14/107; 361/686, 728, 729, 730, 736,
748, 752, 783, 788, 796

FIG. 6 is a front view of the design;

FIG. 7 is a rear view of the design;

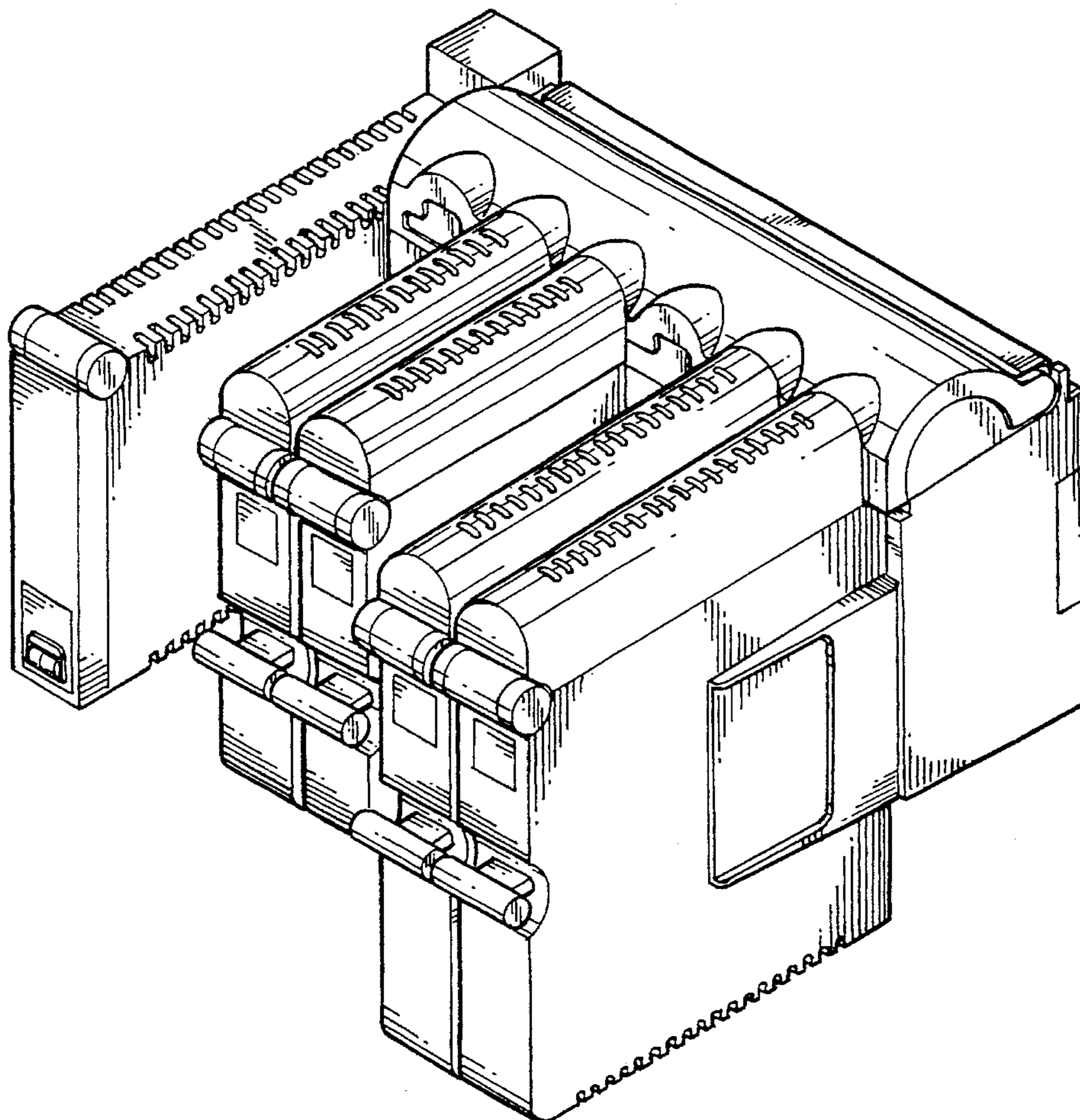
References Cited

U.S. PATENT DOCUMENTS

D. 325,900 5/1992 Shimizu et al. D13/162
4,247,882 1/1981 Prager et al. 361/686

FIG. 8 is a front and upper right isometric view of a second embodiment of a combined connection cabinet and printed circuit board housings showing my new design. All other views are the same as the first embodiment except for the variation in the arrangement of the circuit board housings; FIG. 9 is a view of the embodiment of FIG. 1 with two additional circuit board housings removed; and, FIG. 10 is a rear and lower left isometric view of the first embodiment.

1 Claim, 8 Drawing Sheets



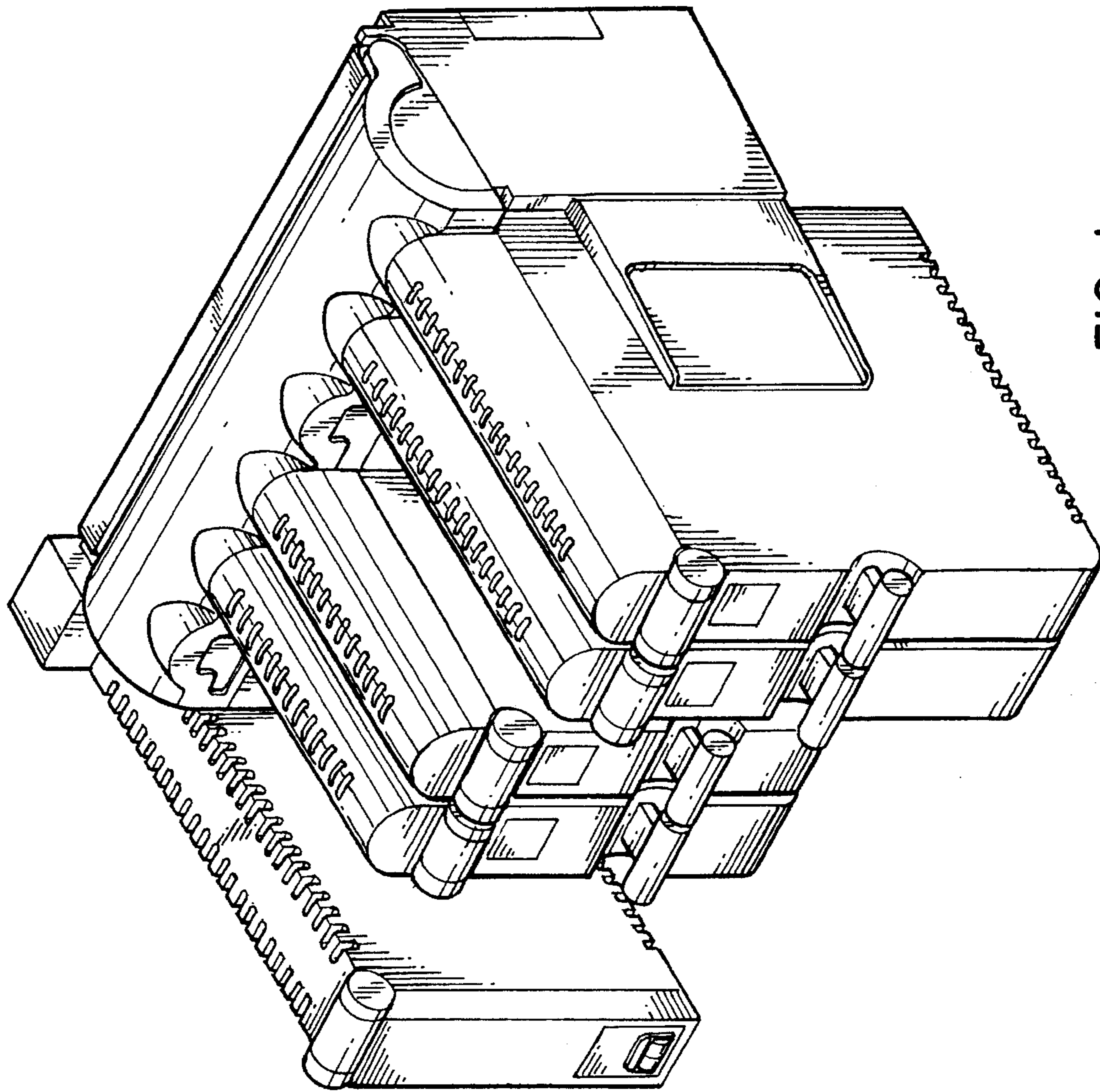


FIG. 1

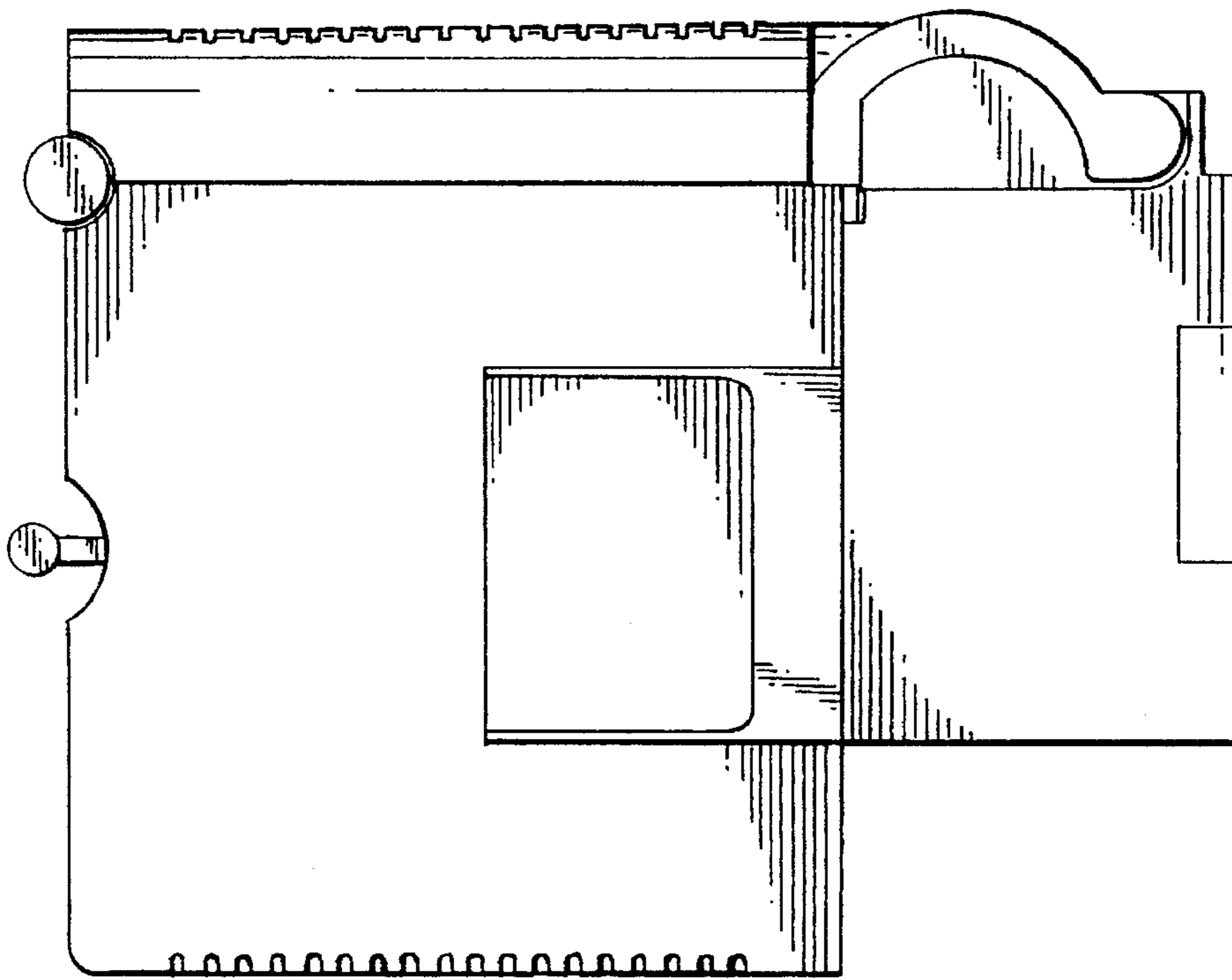


FIG. 2

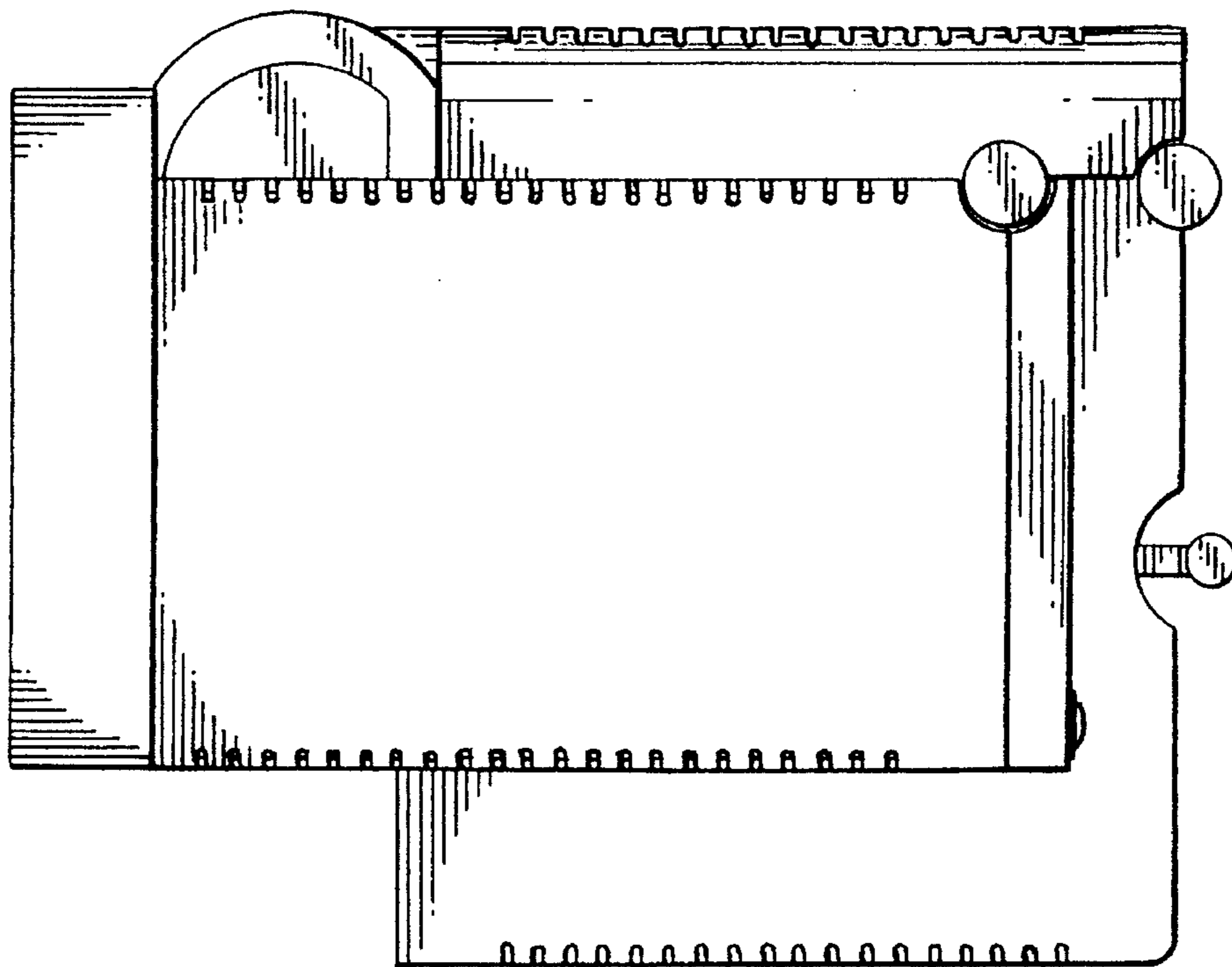


FIG. 3

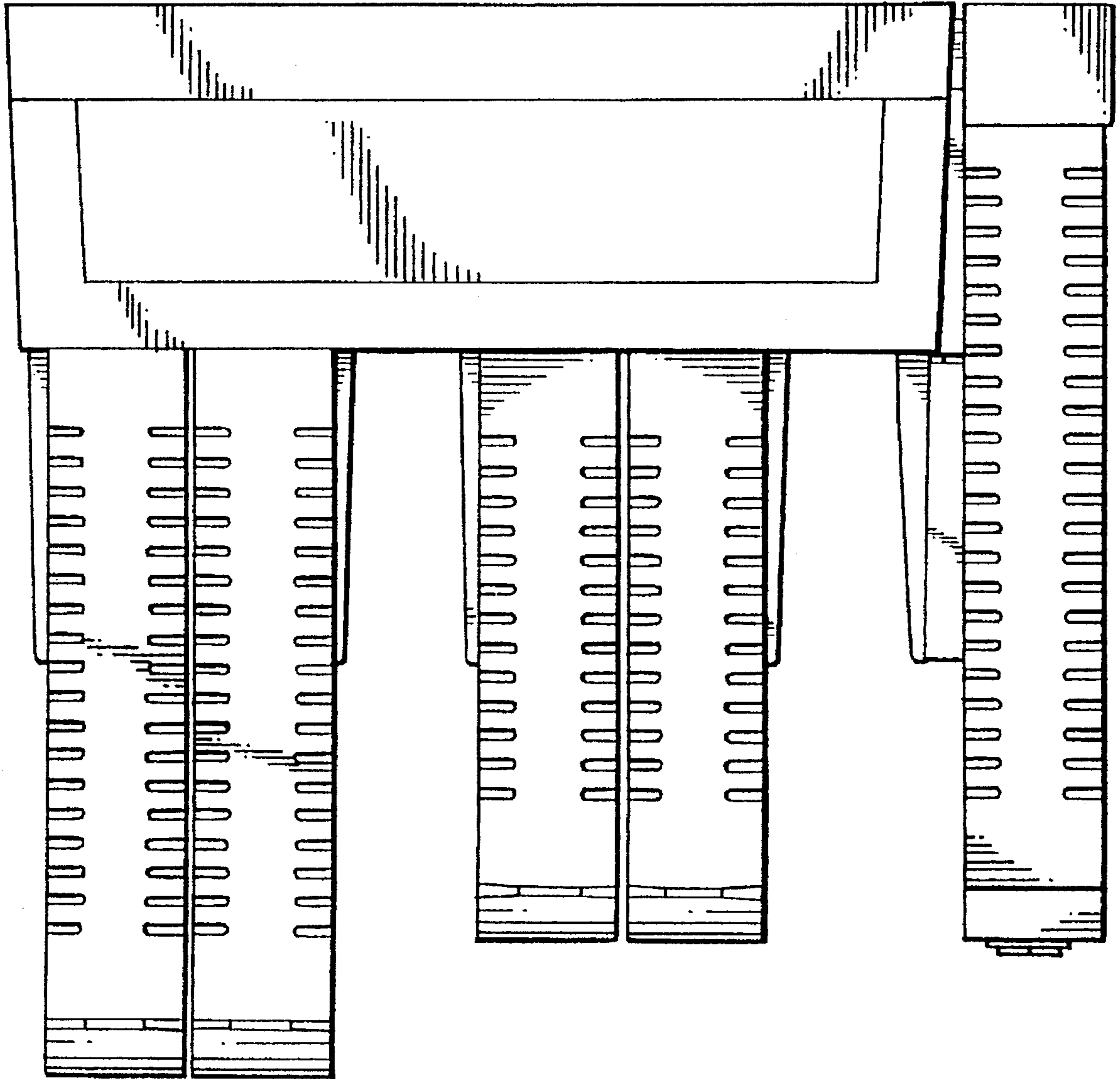


FIG. 4

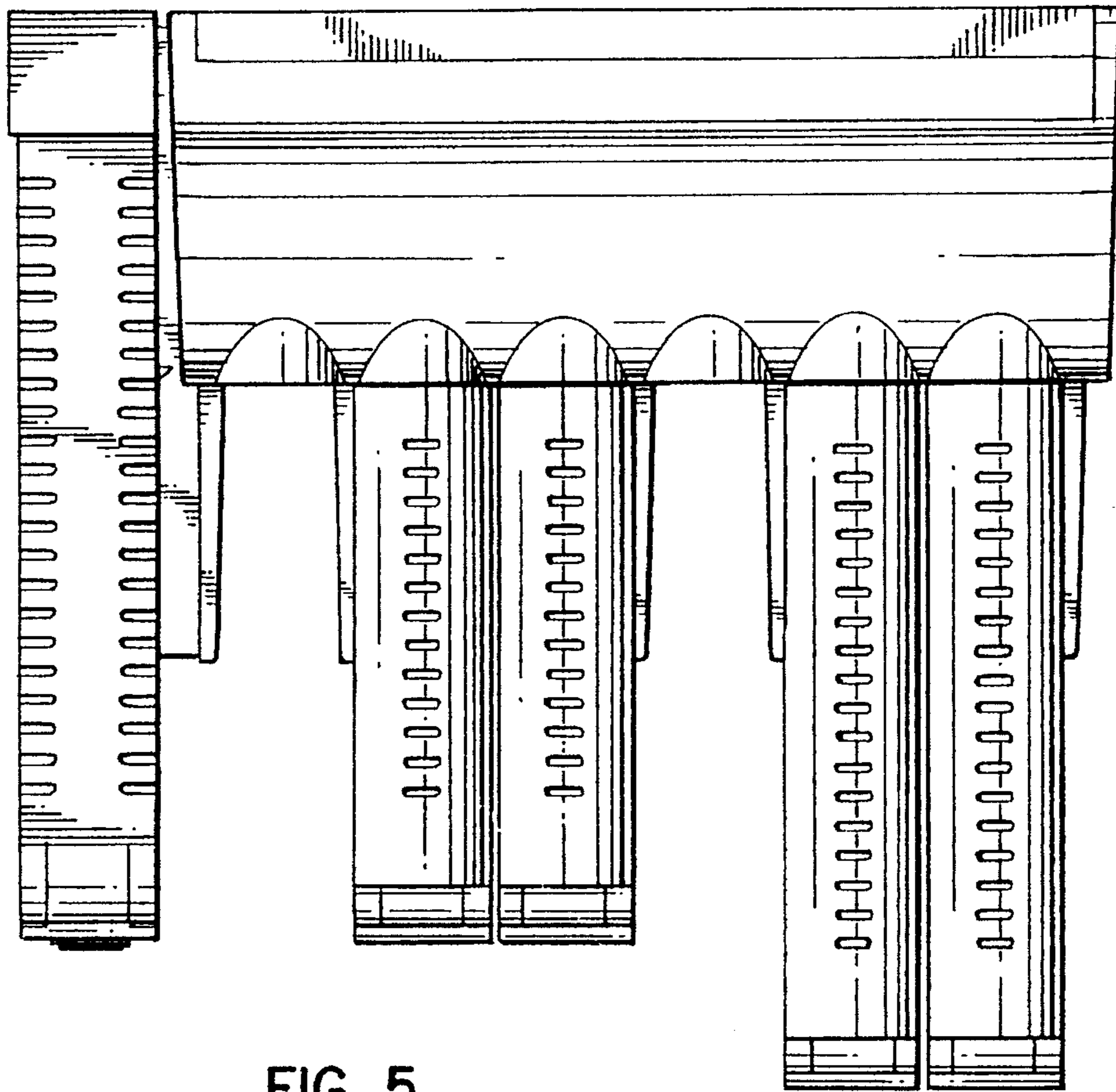


FIG. 5

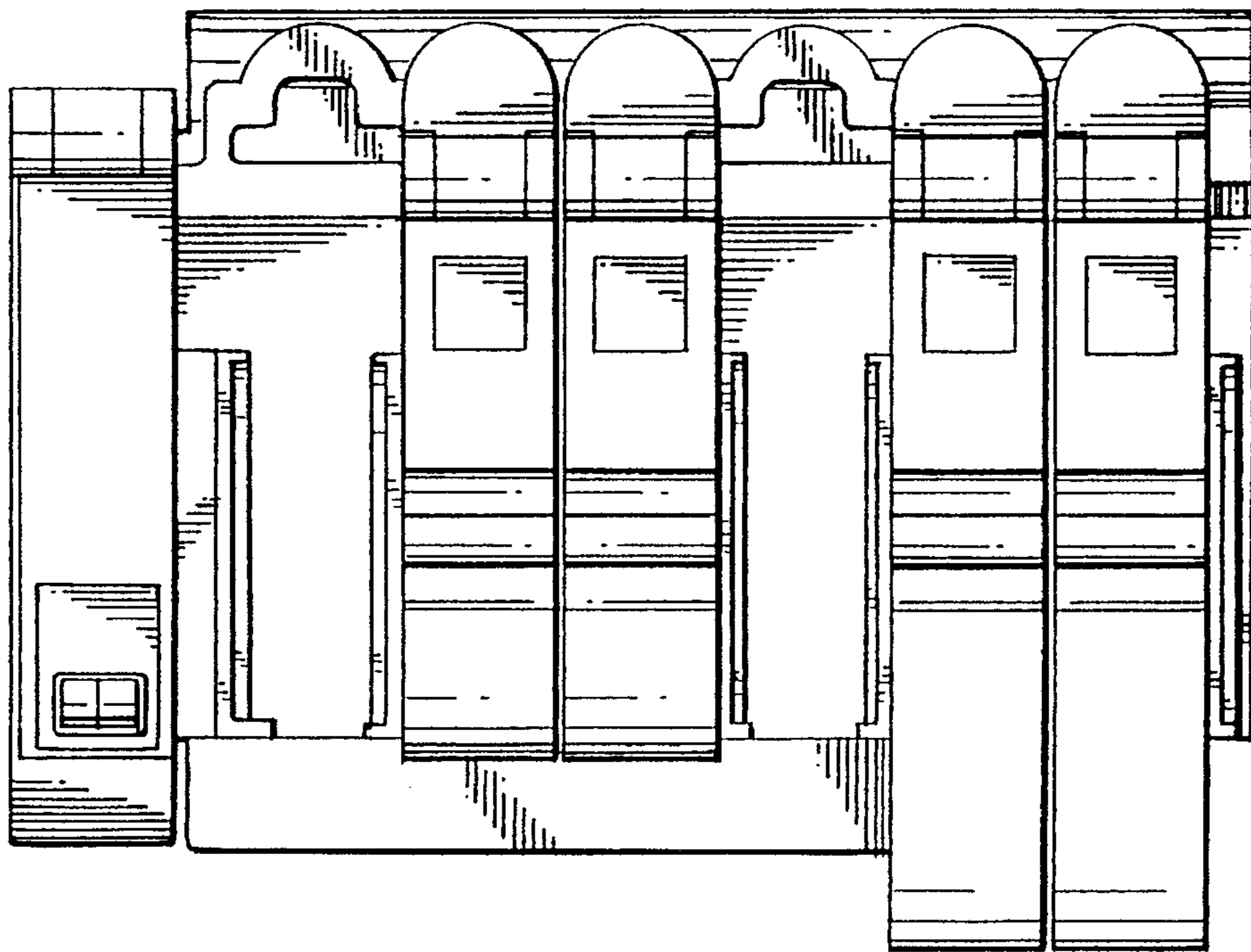


FIG. 6

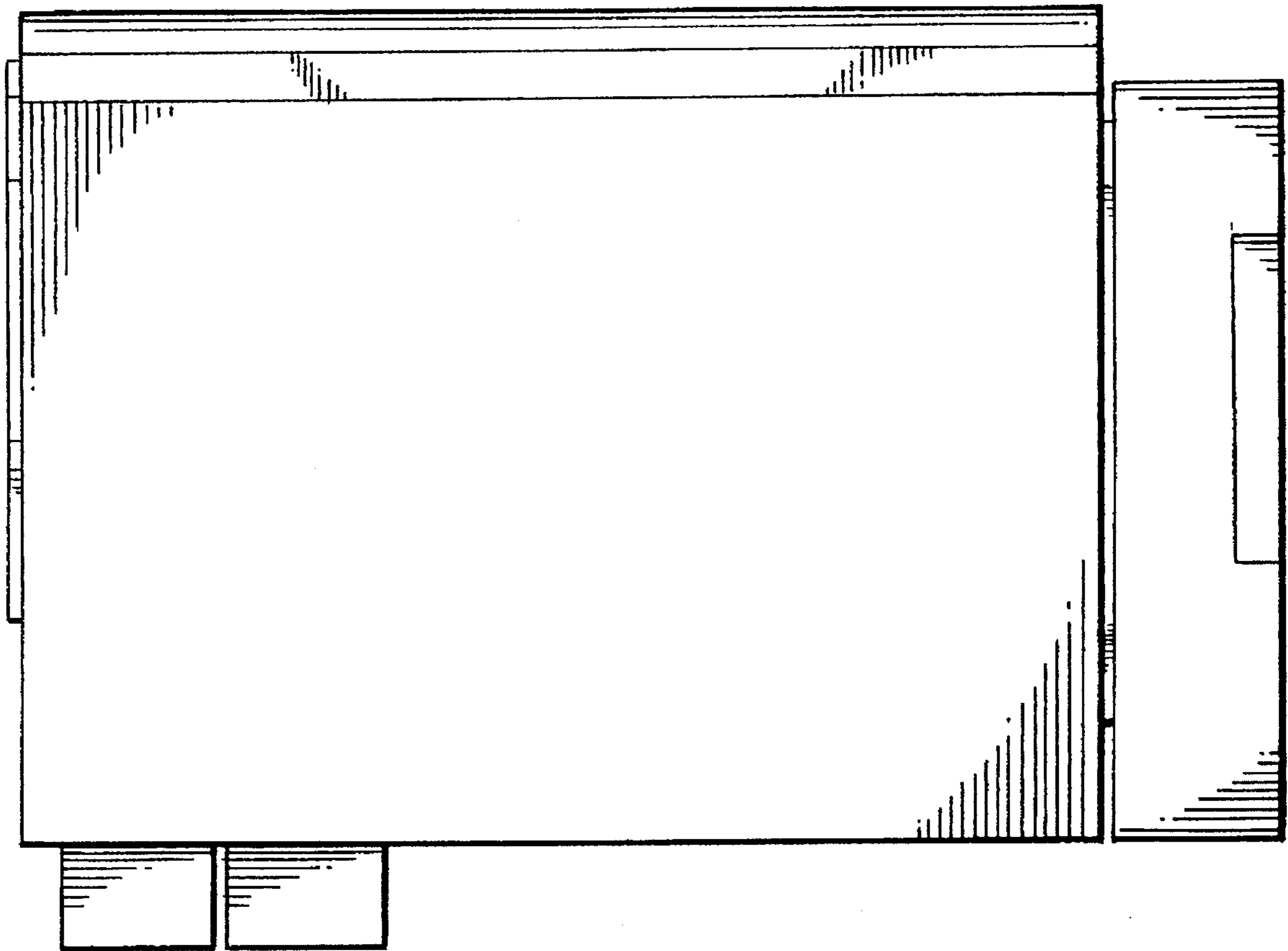


FIG. 7

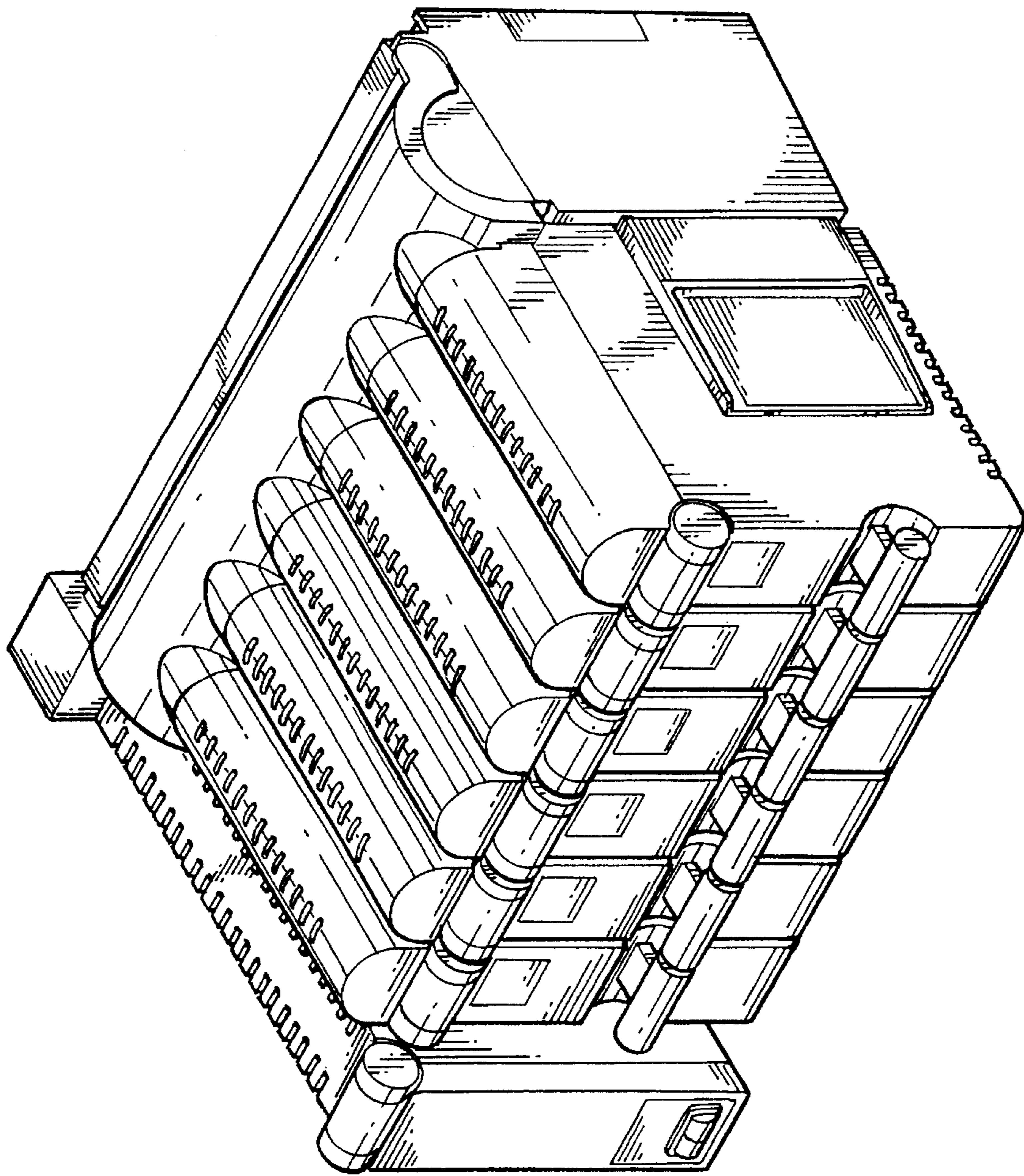


FIG. 8

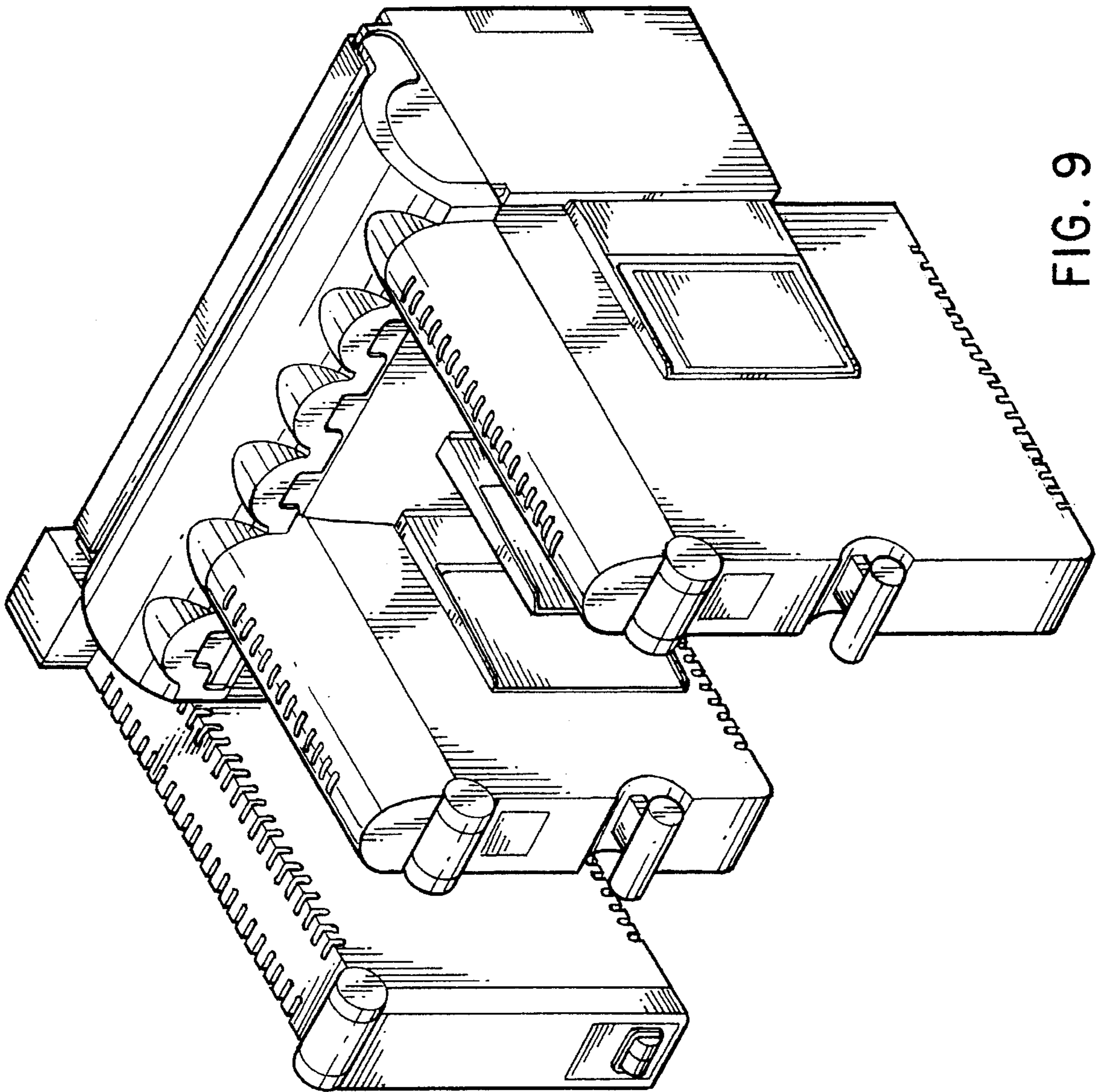


FIG. 9

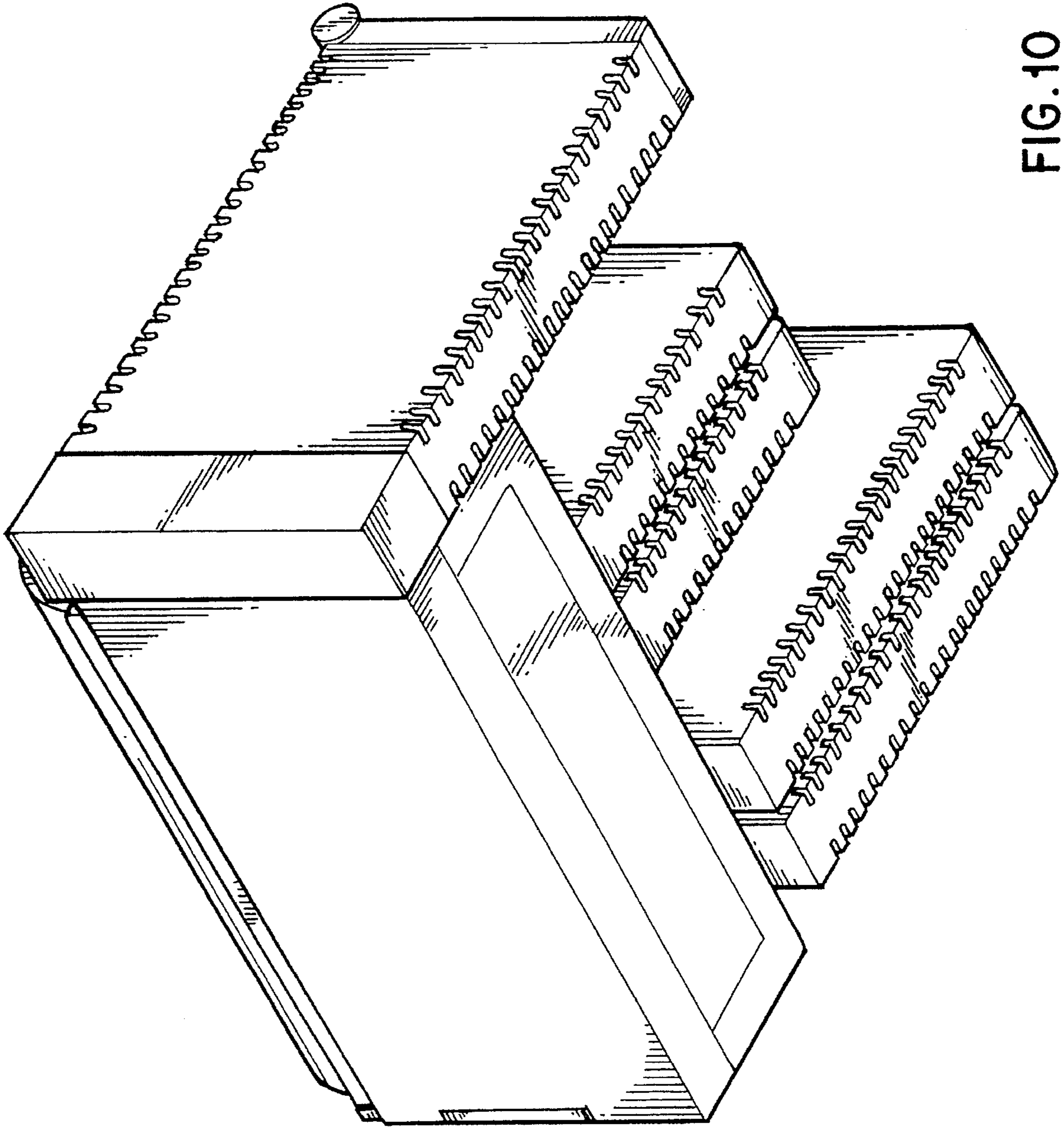


FIG. 10