



US00D373747S

# United States Patent [19]

Anscher

[11] Patent Number: **Des. 373,747**

[45] Date of Patent: **\*\*Sep. 17, 1996**

[54] **BUCKLE**

[75] Inventor: **Joseph A. Anscher**, Port Washington, N.Y.

[73] Assignee: **National Molding Corporation**, Farmingdale, N.Y.

[\*\*] Term: **14 Years**

[21] Appl. No.: **8,330**

[22] Filed: **May 14, 1993**

[52] U.S. Cl. .... **D11/216**

[58] Field of Search ..... D11/200, 201, D11/215-220; 24/616, 609, 650, 660, 200, 196, 169, 171, 625

4,662,040	5/1987	Terrell et al. .	
4,688,337	8/1987	Dillner et al. .	
4,831,694	5/1989	Kong .....	24/625
4,987,661	1/1991	Kasai .....	24/625
5,222,279	6/1993	Frano et al. ....	24/625

### FOREIGN PATENT DOCUMENTS

2180293 3/1987 United Kingdom .

*Primary Examiner*—Ralf Seifert  
*Attorney, Agent, or Firm*—Kenyon & Kenyon

### [57] CLAIM

The ornamental design for a buckle, as shown and described.

### DESCRIPTION

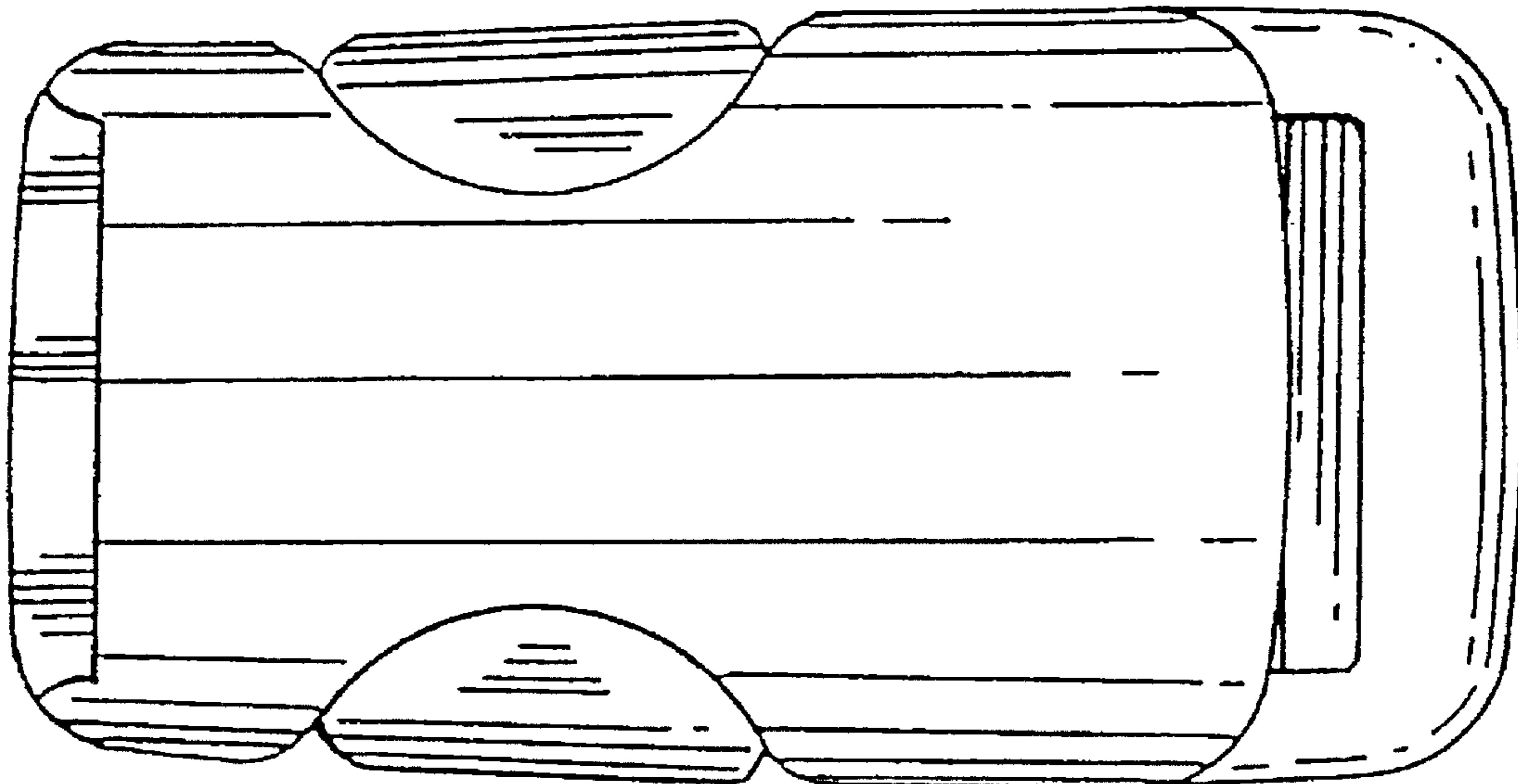
FIG. 1 is a top view of a buckle showing my new design;  
 FIG. 2 is a side view of the buckle;  
 FIG. 3 is a rear view of the buckle;  
 FIG. 4 is a front view of the buckle;  
 FIG. 5 is a perspective view of the buckle;  
 FIG. 6 is a top view of the pieces comprising the buckle being separated;  
 FIG. 7 is a bottom view of the buckle; and,  
 FIG. 8 is a bottom view of the pieces comprising the buckle being separated.

### [56] References Cited

#### U.S. PATENT DOCUMENTS

D. 297,423	8/1988	Kong .	
D. 310,305	9/1990	Scognamillo et al. .	
D. 312,986	12/1990	Bianchi .....	D11/216
D. 340,886	11/1993	Anscher .....	D11/218
D. 341,105	11/1993	Lovato .....	D11/218
4,150,464	4/1979	Tracy .	
4,171,555	10/1979	Bakker et al. .	
4,318,502	3/1982	Lowe et al. .	
4,398,324	8/1983	Bakker et al. .	

**1 Claim, 4 Drawing Sheets**



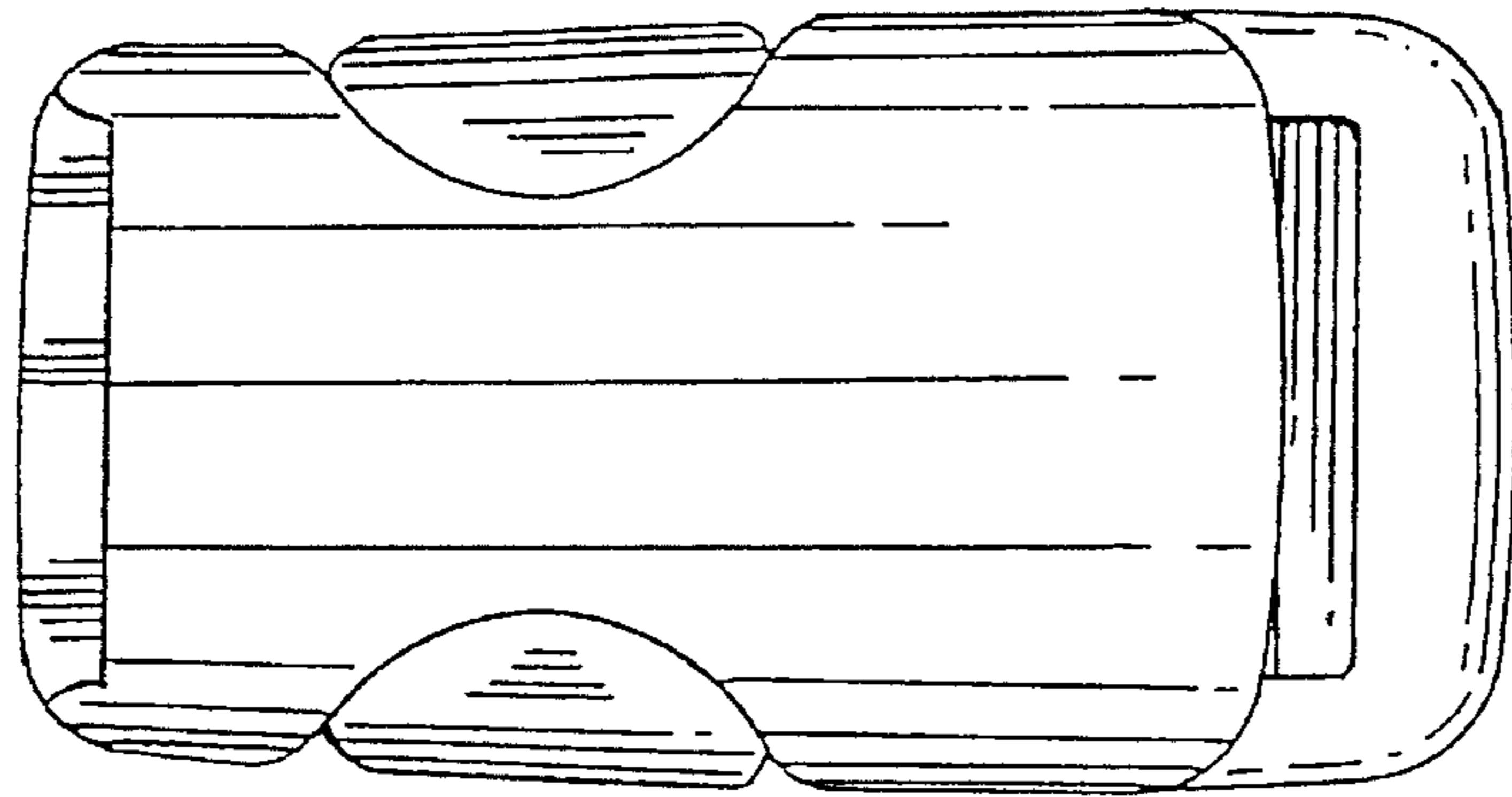


FIG. 1

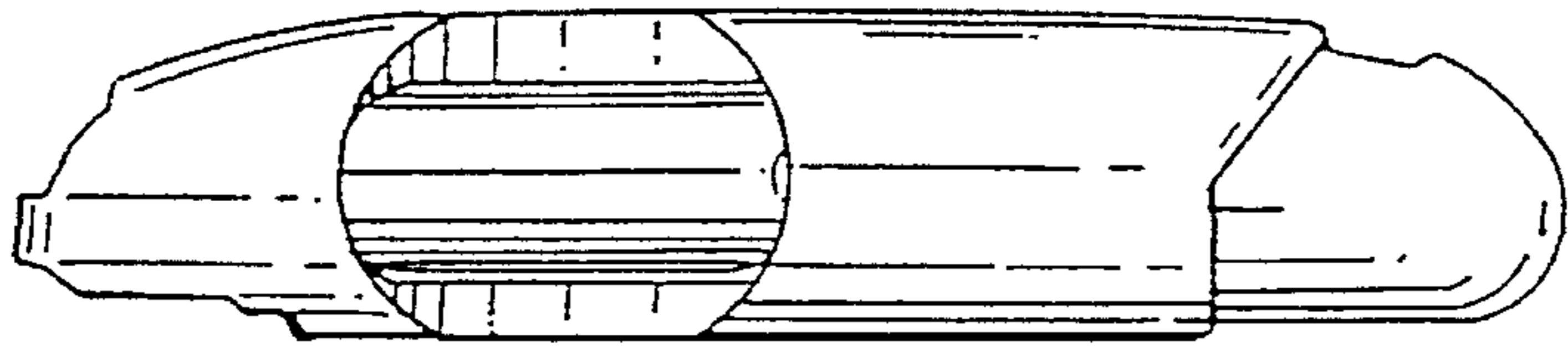


FIG. 2

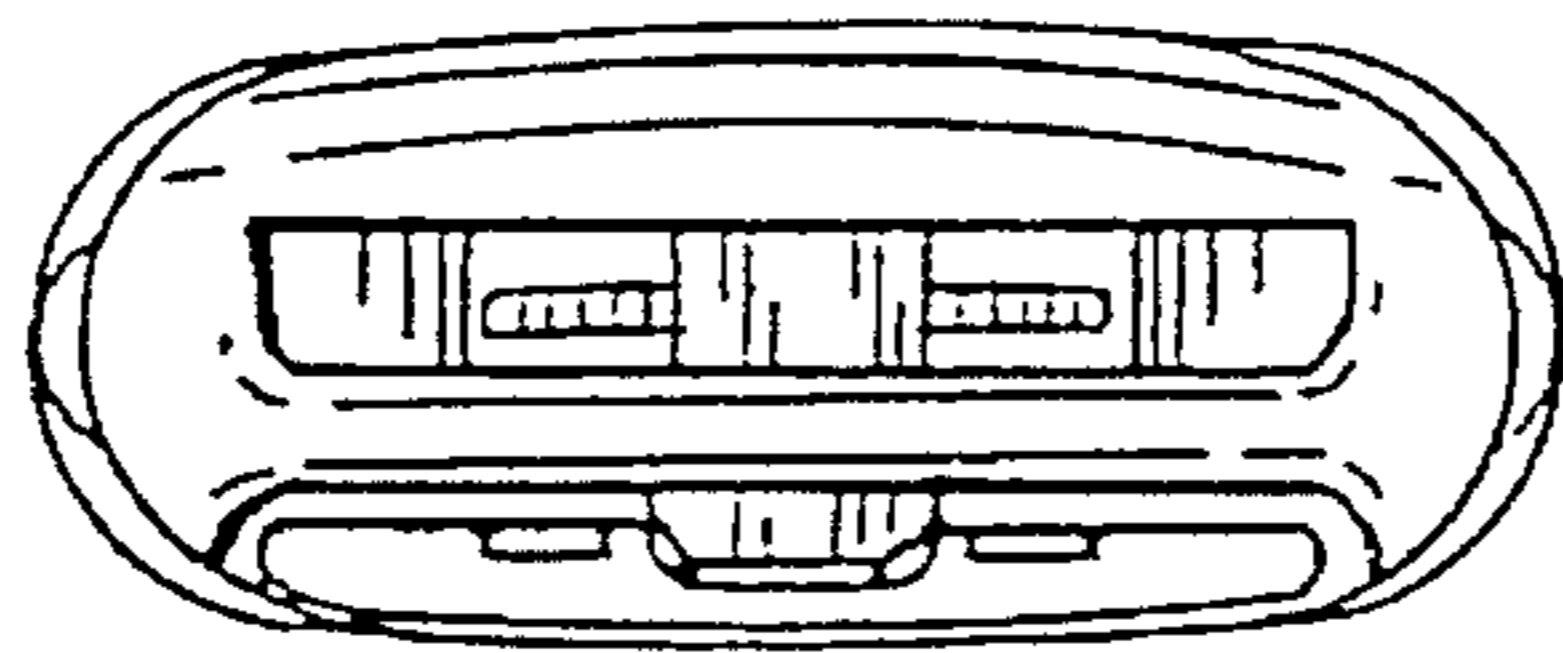


FIG. 3

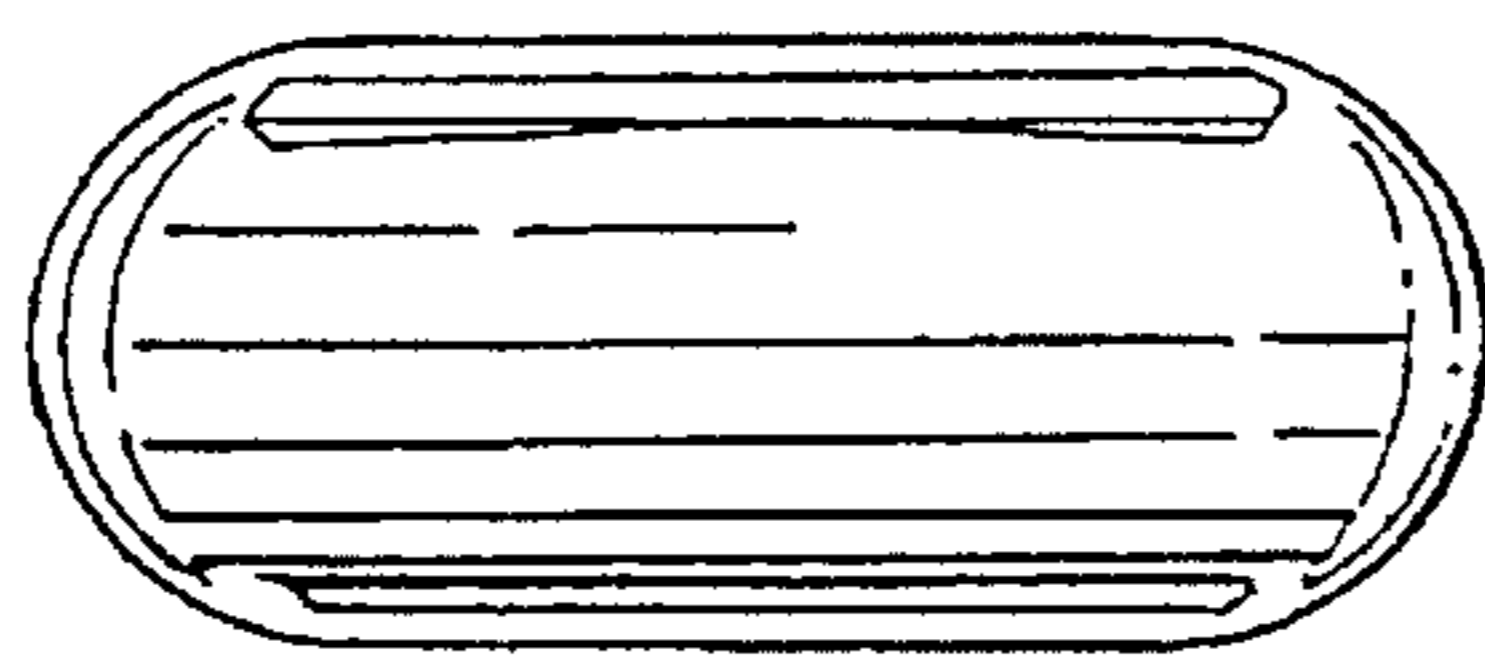
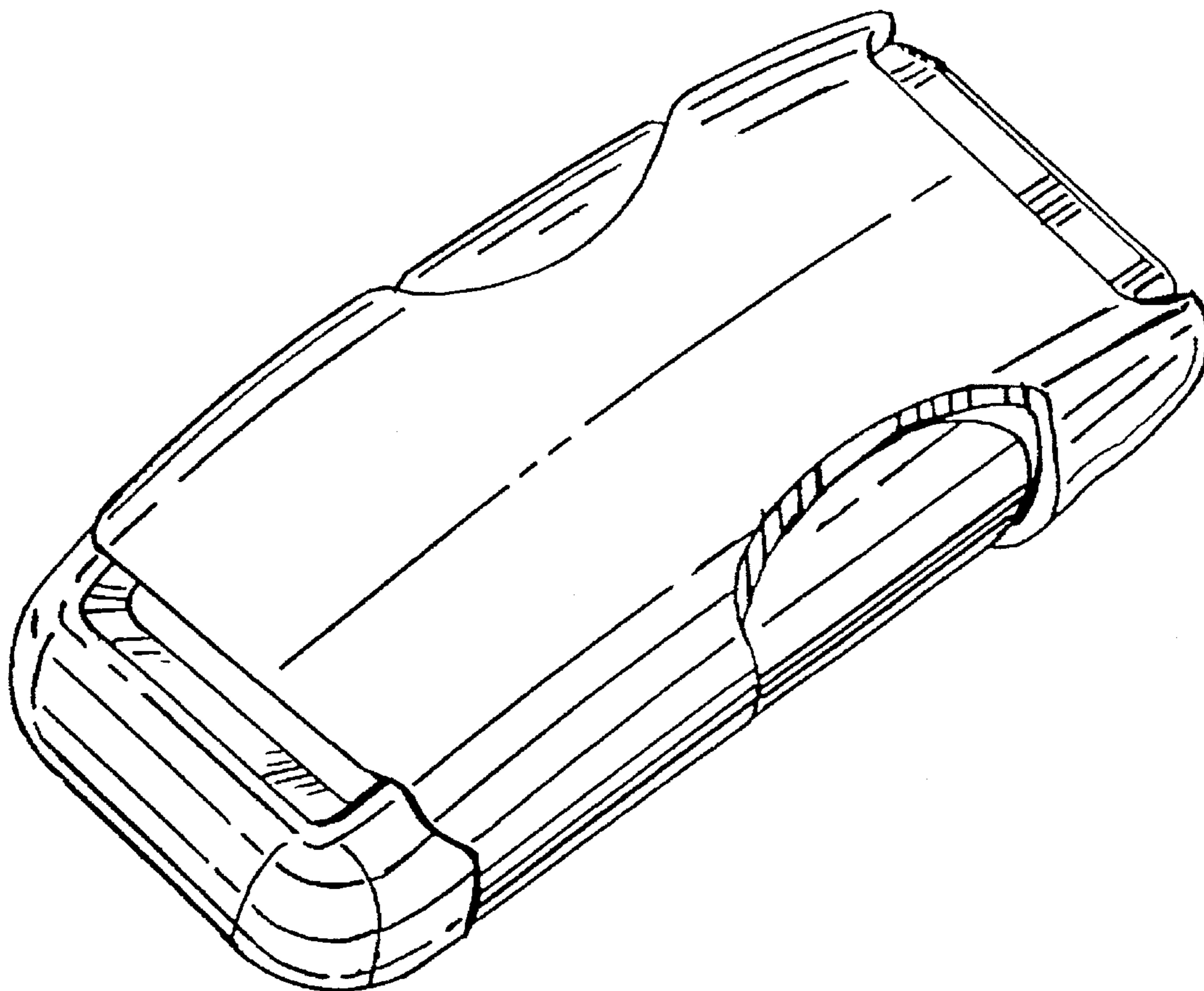


FIG. 4



**FIG. 5**

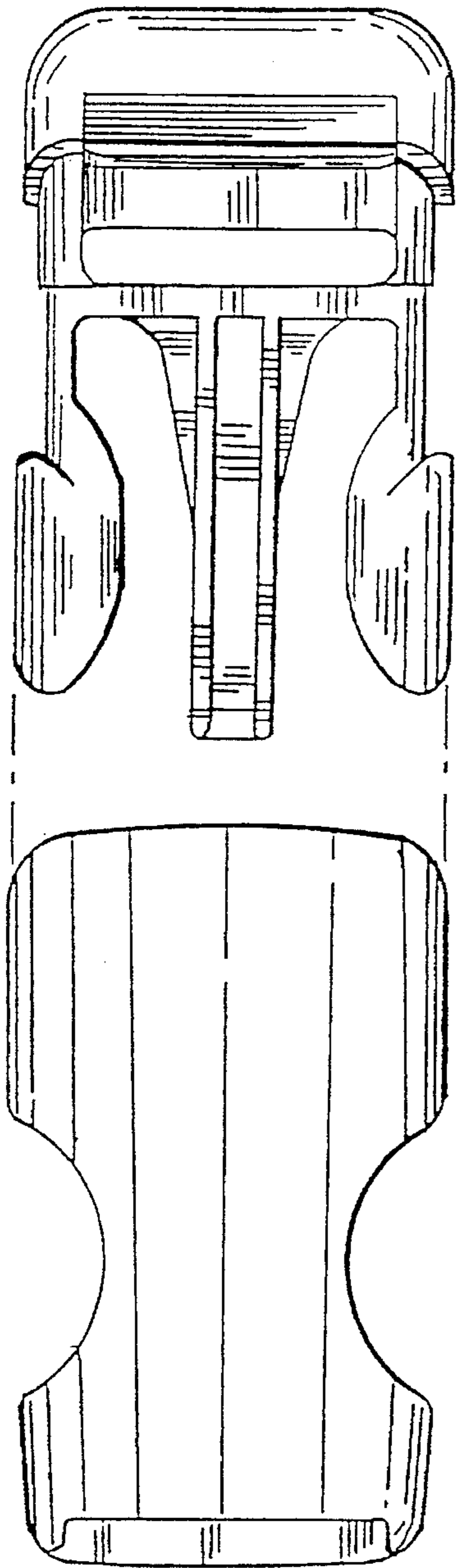


FIG. 6

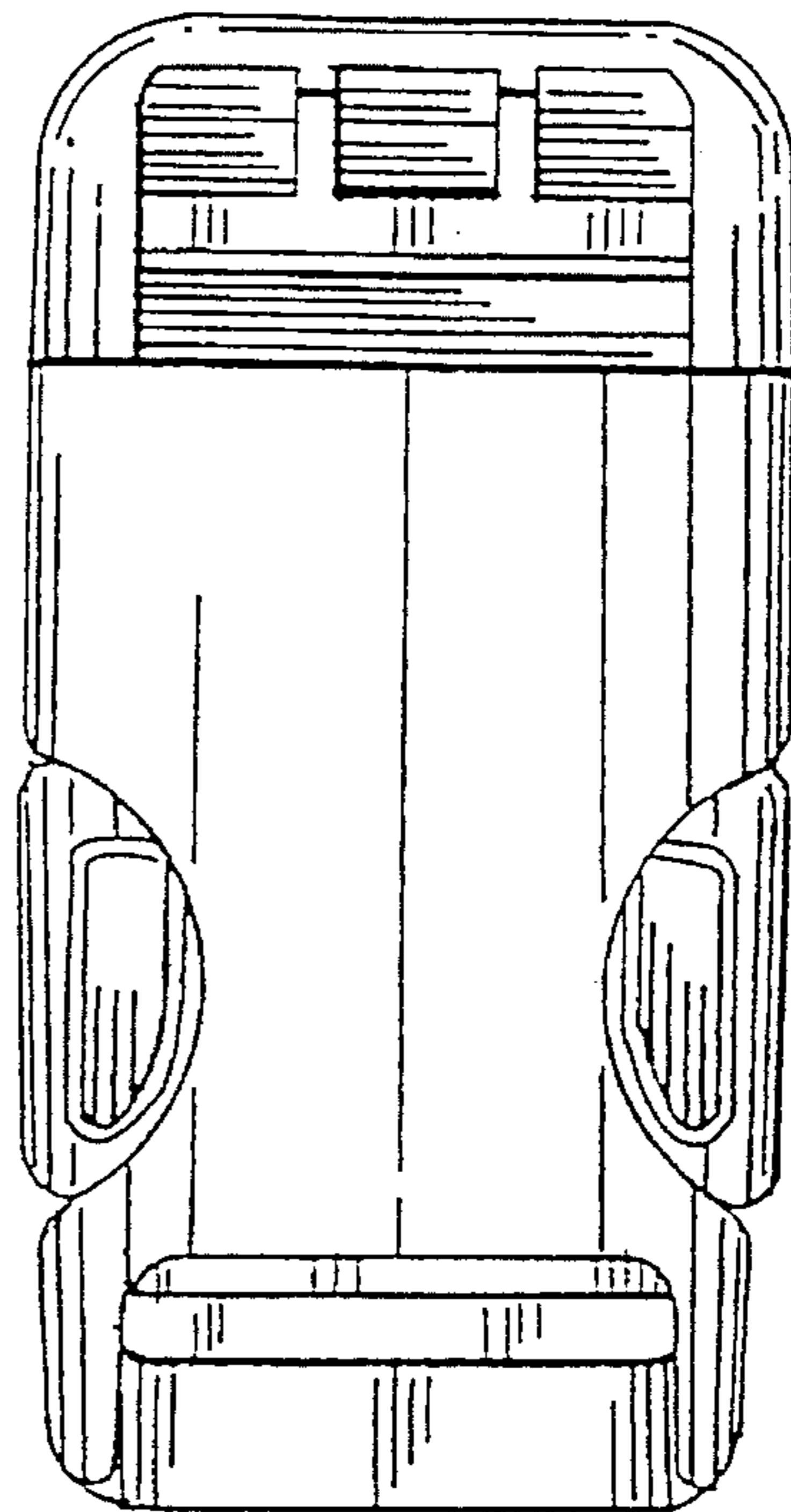


FIG. 7

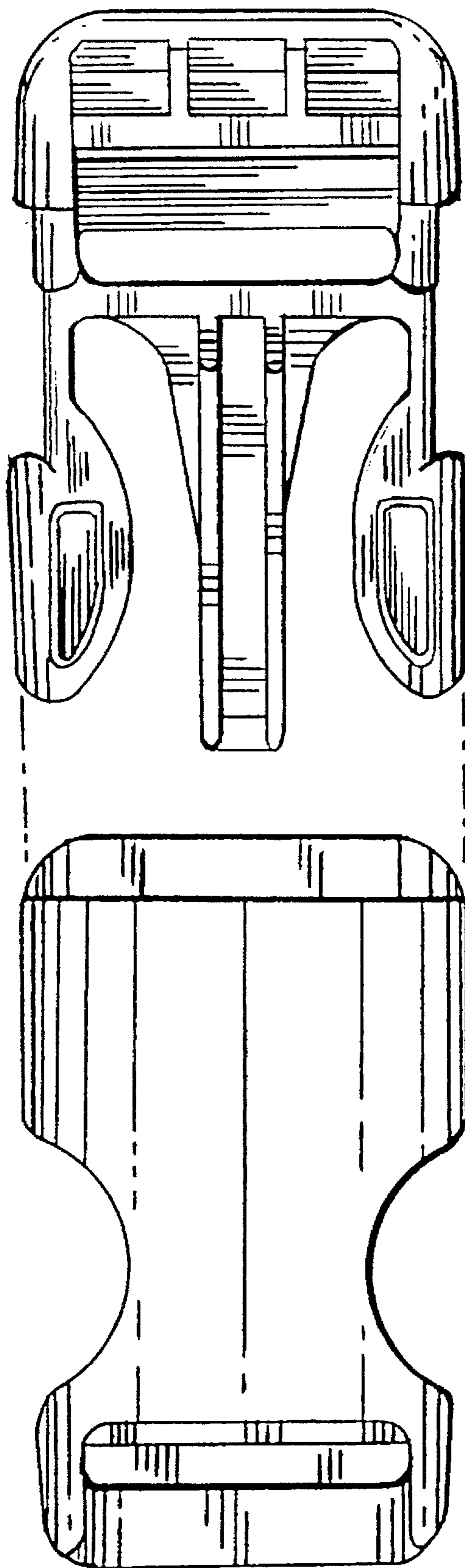


FIG. 8