



US00D373746S

# United States Patent [19]

[11] Patent Number: **Des. 373,746**

Weder et al.

[45] Date of Patent: **\*\*\* Sep. 17, 1996**

[54] **FLOWER POT COVER**

[75] Inventors: **Donald E. Weder; Joseph G. Straeter**, both of Highland, Ill.

[73] Assignees: **The Family Trust U/T/A; Southpac Trust International, Inc.**, both of Highland, Ill.

|           |         |               |             |
|-----------|---------|---------------|-------------|
| 1,065,486 | 6/1913  | Washburn      | 229/400     |
| 2,054,934 | 9/1936  | Graffenberger | 229/1.5 B   |
| 2,102,510 | 12/1937 | Cecil, II     | 229/1.5 B   |
| 2,355,559 | 8/1944  | Renner        | 229/8       |
| 2,459,073 | 1/1949  | Hamilton      | 229/1.5 B   |
| 5,127,817 | 7/1992  | Weder et al.  | 425/383     |
| 5,339,565 | 8/1994  | Weder et al.  | 229/1.5 B X |

### FOREIGN PATENT DOCUMENTS

|        |        |           |         |
|--------|--------|-----------|---------|
| 103316 | 3/1938 | Australia | 229/922 |
|--------|--------|-----------|---------|

### OTHER PUBLICATIONS

Exhibit A—Speed Cover ® Brochure—the Simple Solution . . . , ©1989.

*Primary Examiner*—Jeffrey Asch  
*Attorney, Agent, or Firm*—Dunlap & Coddling, P.C.

[\*] Notice: The portion of the term of this patent subsequent to Jul. 18, 2009, has been disclaimed.

[\*\*] Term: **14 Years**

[21] Appl. No.: **3,685**

[22] Filed: **Jan. 13, 1993**

### [57] CLAIM

The ornamental design for a flower pot cover, as shown and described.

### Related U.S. Application Data

[63] Continuation-in-part of Ser. No. 808,547, Dec. 16, 1991, Pat. No. Des. 360,388, which is a continuation-in-part of Ser. No. 710,272, Jun. 4, 1991, Pat. No. Des. 365,302, which is a continuation-in-part of Ser. No. 617,454, Nov. 21, 1990, abandoned, said Ser. No. 710,272, Jun. 4, 1991, is a continuation-in-part of Ser. No. 411,249, Sep. 22, 1989, Pat. No. Des. 358,113, Ser. No. 411,247, Sep. 22, 1989, abandoned, and Ser. No. 411,245, Sep. 22, 1989, abandoned.

### DESCRIPTION

[52] **U.S. Cl.** ..... **D11/164**

[58] **Field of Search** ..... D11/143, 149, D11/152–156, 164, 89, 90; 47/66, 72; 206/423; 215/100.5; 229/1.5 R, 1.5 B, 4.5, 87.01, 922, 930, 108, 108.1, 109, 110; 428/27, 35.1, 24, 542.6; D9/346, 428–431; D27/102, 133; D26/128–136; D19/96; D7/540, 584, 586, 587, 354

[56] **References Cited**

U.S. PATENT DOCUMENTS

D. 292,182 10/1987 Weder et al. .... D11/164

D. 292,187 10/1987 Weder et al. .... D11/164

D. 292,562 11/1987 Weder et al. .... D11/164

D. 293,224 12/1987 Weder et al. .... D11/164

D. 293,775 1/1988 Weder et al. .... D11/164

D. 317,583 6/1991 Weder et al. .... D11/164

D. 318,030 7/1991 Weder et al. .... D11/164

D. 327,234 6/1992 Vaughn ..... D11/143

FIG. 1 is a perspective view of our new flower pot cover design;

FIG. 2 is a side elevational view thereof;

FIG. 3 is a top plan view thereof;

FIG. 4 is a bottom plan view thereof;

FIG. 5 is a side elevational view of the design of FIG. 1, the only difference being in the horizontal angle of the skirt;

FIG. 6 is a side elevational view of the design of FIG. 1, the only difference being in the vertical angle of the skirt;

FIG. 7 is a side elevational view of the design of FIG. 1, the only difference being in the downward angle of the skirt;

FIG. 8 is a perspective view of a second embodiment of our new flower pot cover design;

FIG. 9 is a side elevational view thereof;

FIG. 10 is a top plan view thereof;

FIG. 11 is a bottom plan view thereof;

FIG. 12 is a side elevational view of the design of FIG. 8, the only difference being in the horizontal angle of the skirt;

FIG. 13 is a side elevational view of the design of FIG. 8, the only difference being in the vertical angle of the skirt;

FIG. 14 is a side elevational view of the design of FIG. 8, the only difference being in the downward angle of the skirt;

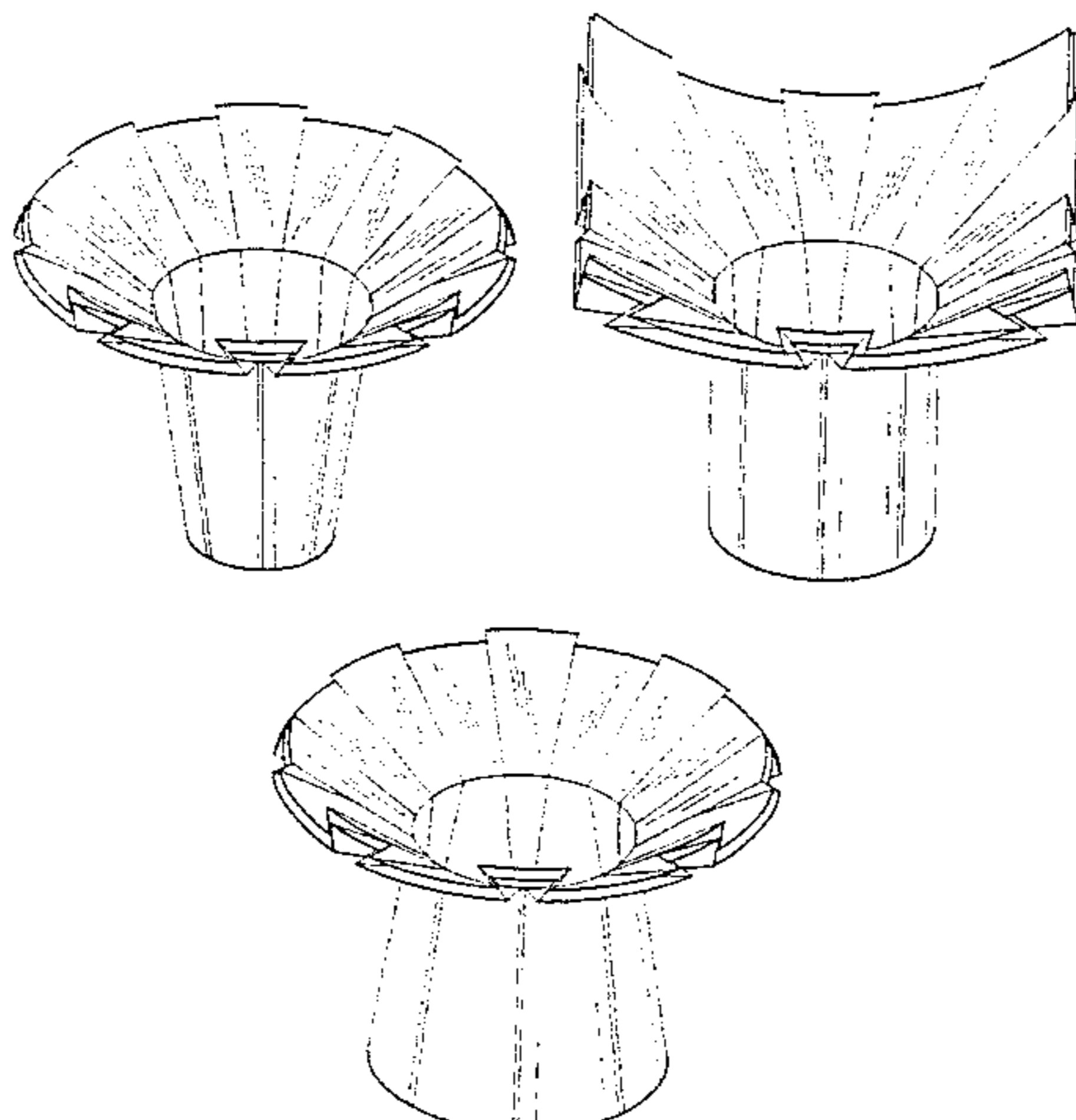


FIG. 15 is a perspective view of a third embodiment of our new flower pot cover design;  
FIG. 16 is a side elevational view thereof;  
FIG. 17 is a top plan view thereof;  
FIG. 18 is a bottom plan view thereof;  
FIG. 19 is a side elevational view of the design of FIG. 15, the only difference being in the horizontal angle of the skirt;  
FIG. 20 is a side elevational view of the design of FIG. 15, the only difference being in the vertical angle of the skirt;  
FIG. 21 is a side elevational view of the design of FIG. 15, the only difference being in the downward angle of the skirt;  
FIG. 22 is a perspective view of a third embodiment of our new flower pot cover design;  
FIG. 23 is a side elevational view thereof;  
FIG. 24 is a top plan view thereof;  
FIG. 25 is a bottom plan view thereof;  
FIG. 26 is a side elevational view of the design of FIG. 21, the only difference being in the horizontal angle of the skirt;

FIG. 27 is a side elevational view of the design of FIG. 21, the only difference being in the vertical angle of the skirt;  
FIG. 28 is a side elevational view of the design of FIG. 21, the only difference being in the downward angle of the skirt;  
FIG. 29 is a perspective view of a fourth embodiment of our new flower pot cover design;  
FIG. 30 is a side elevational view thereof;  
FIG. 31 is a top plan view thereof;  
FIG. 32 is a bottom plan view thereof;  
FIG. 33 is a side elevational view of the design of FIG. 29, the only difference being in the horizontal angle of the skirt;  
FIG. 34 is a side elevational view of the design of FIG. 29, the only difference being in the vertical angle of the skirt;  
and,  
FIG. 35 is a side elevational view of the design of FIG. 29, the only difference being in the downward angle of the skirt.

**1 Claim, 8 Drawing Sheets**

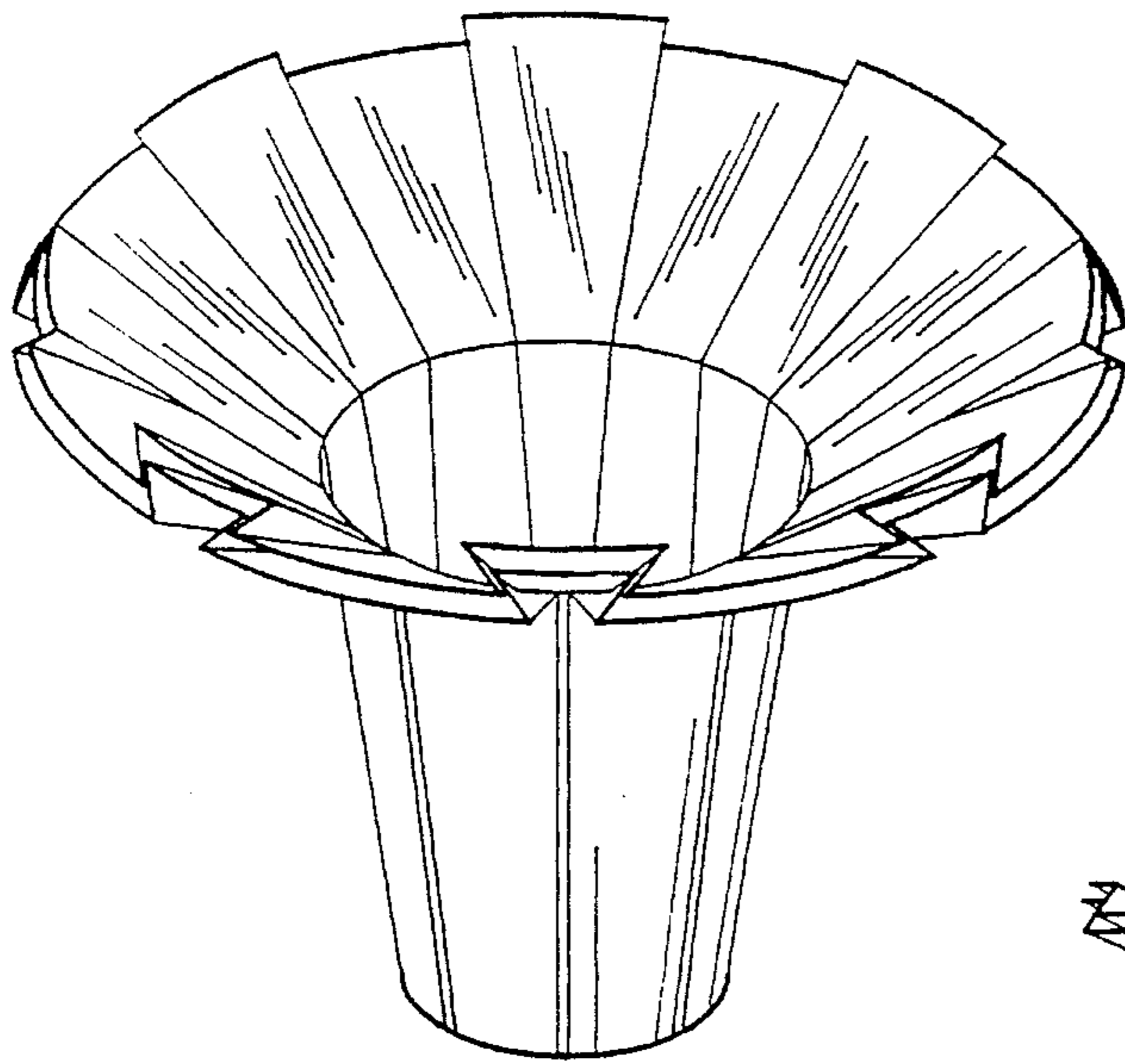


FIG. 1

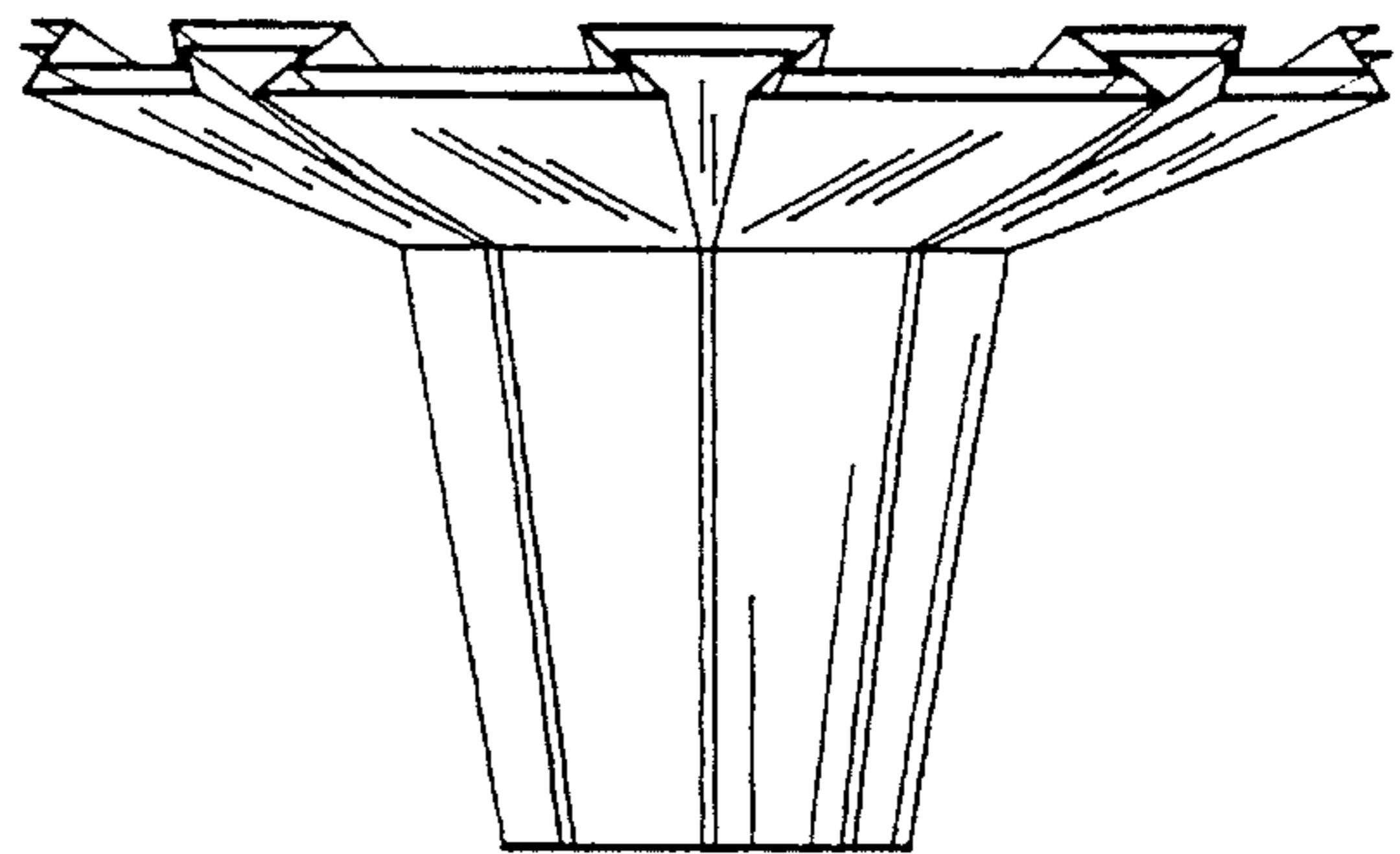


FIG. 2

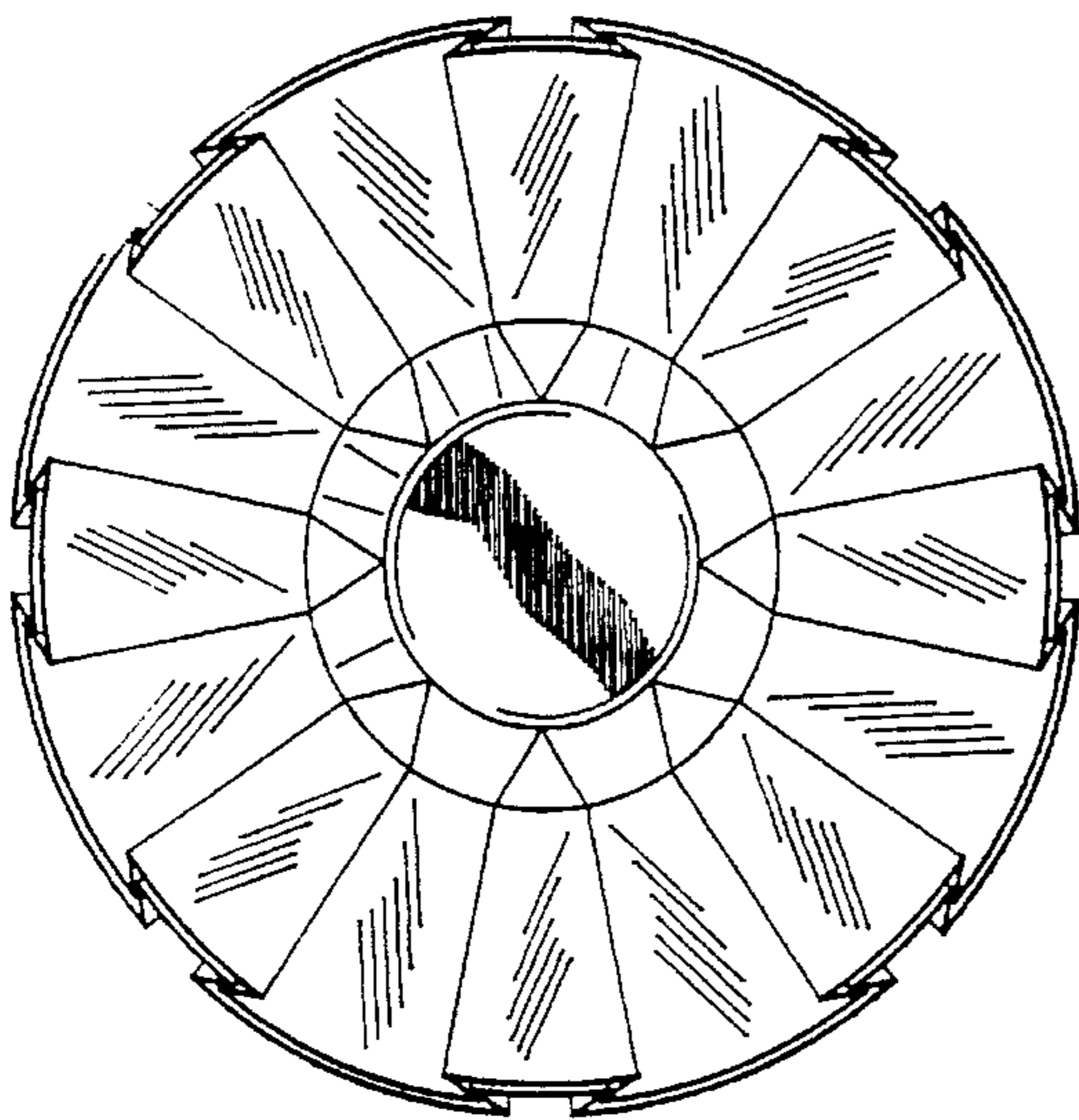


FIG. 3

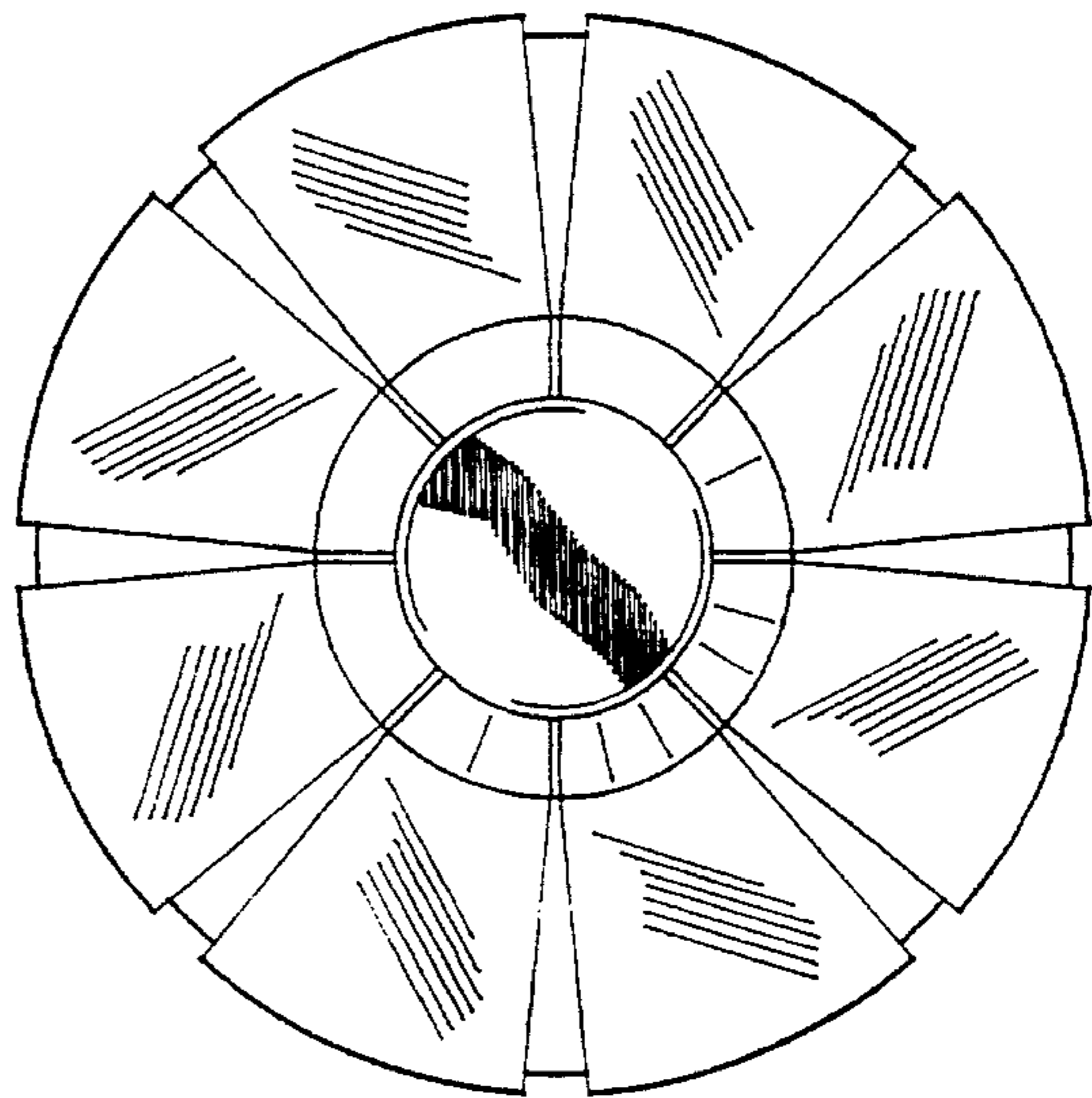


FIG. 4

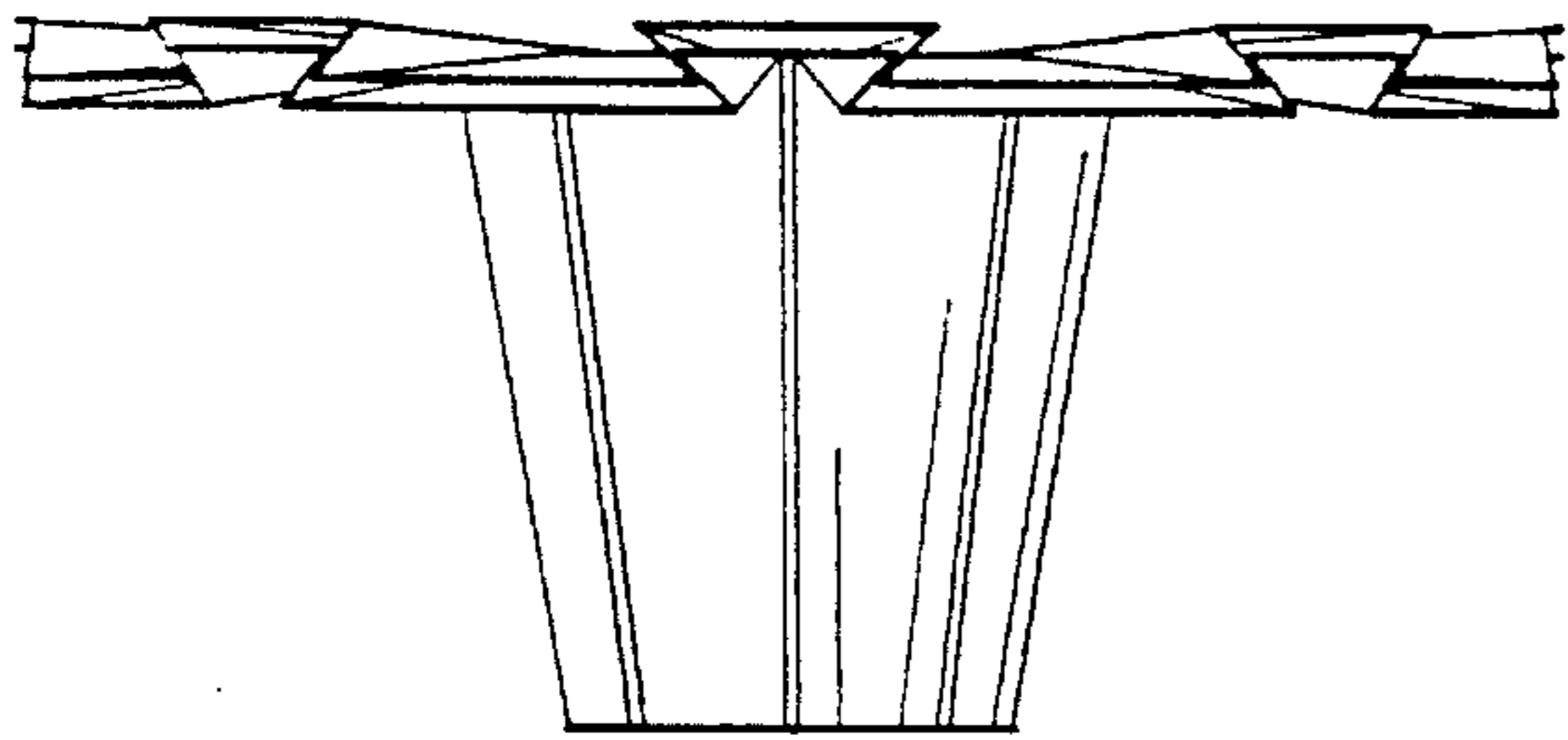


FIG. 5

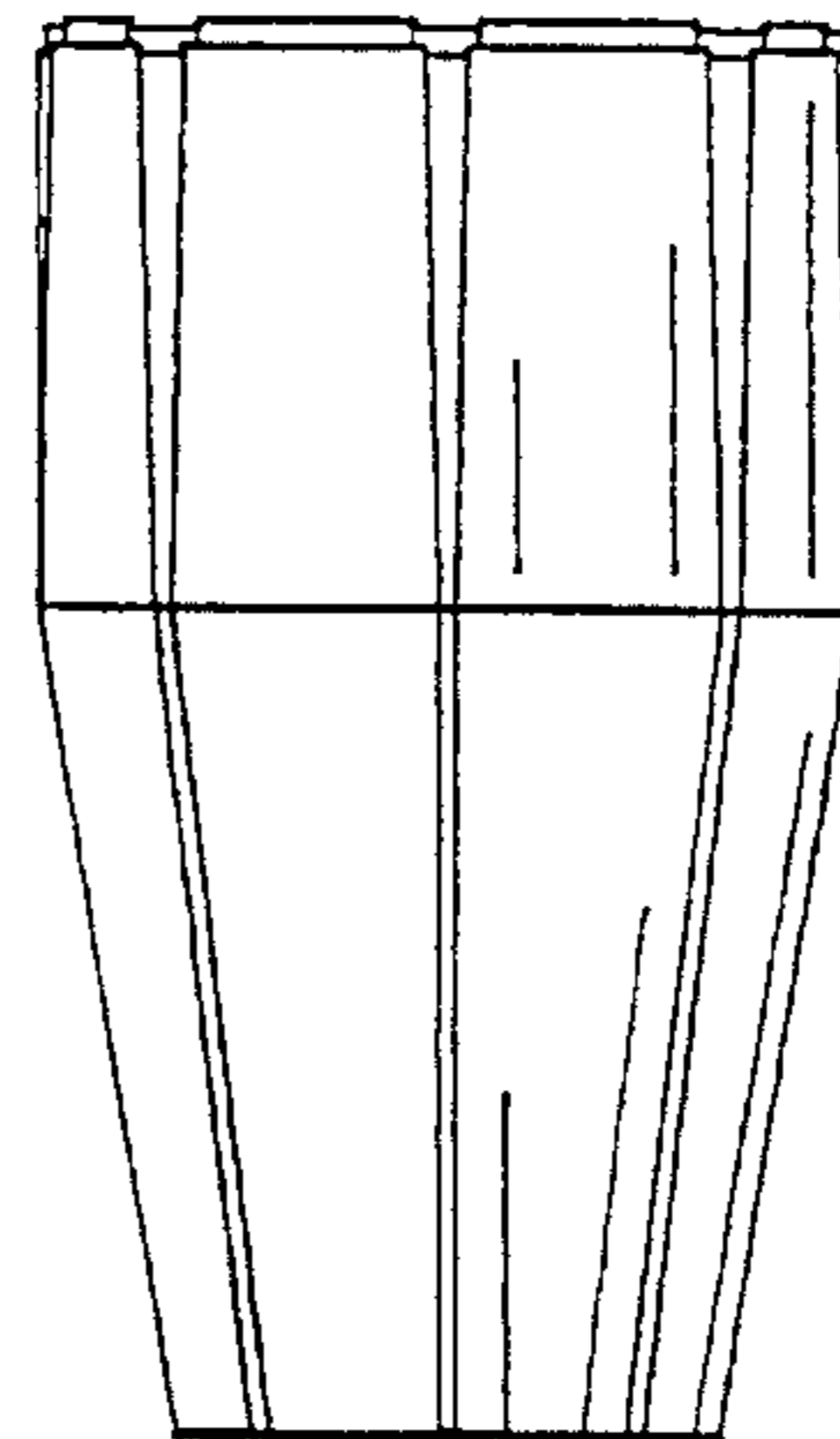


FIG. 6

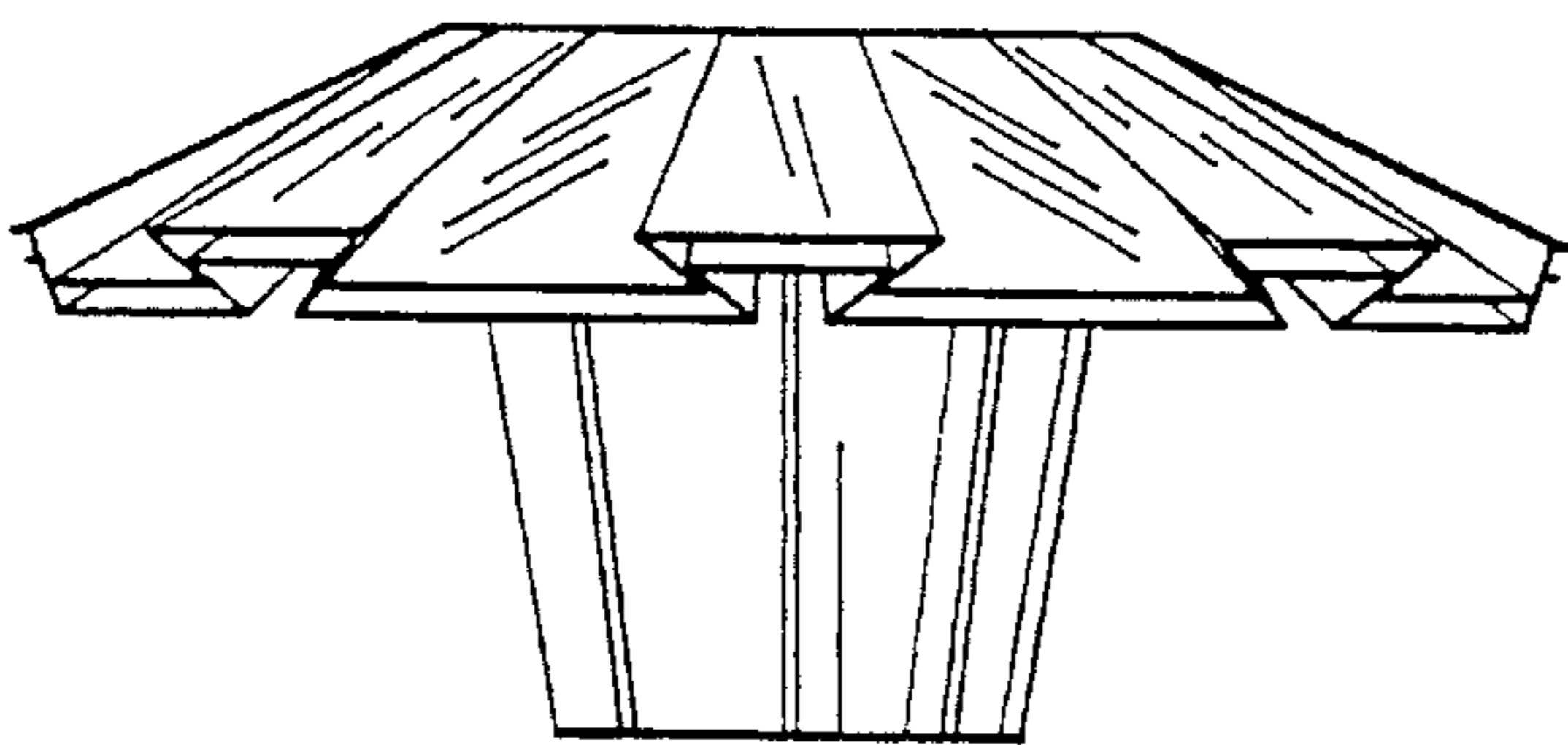


FIG. 7

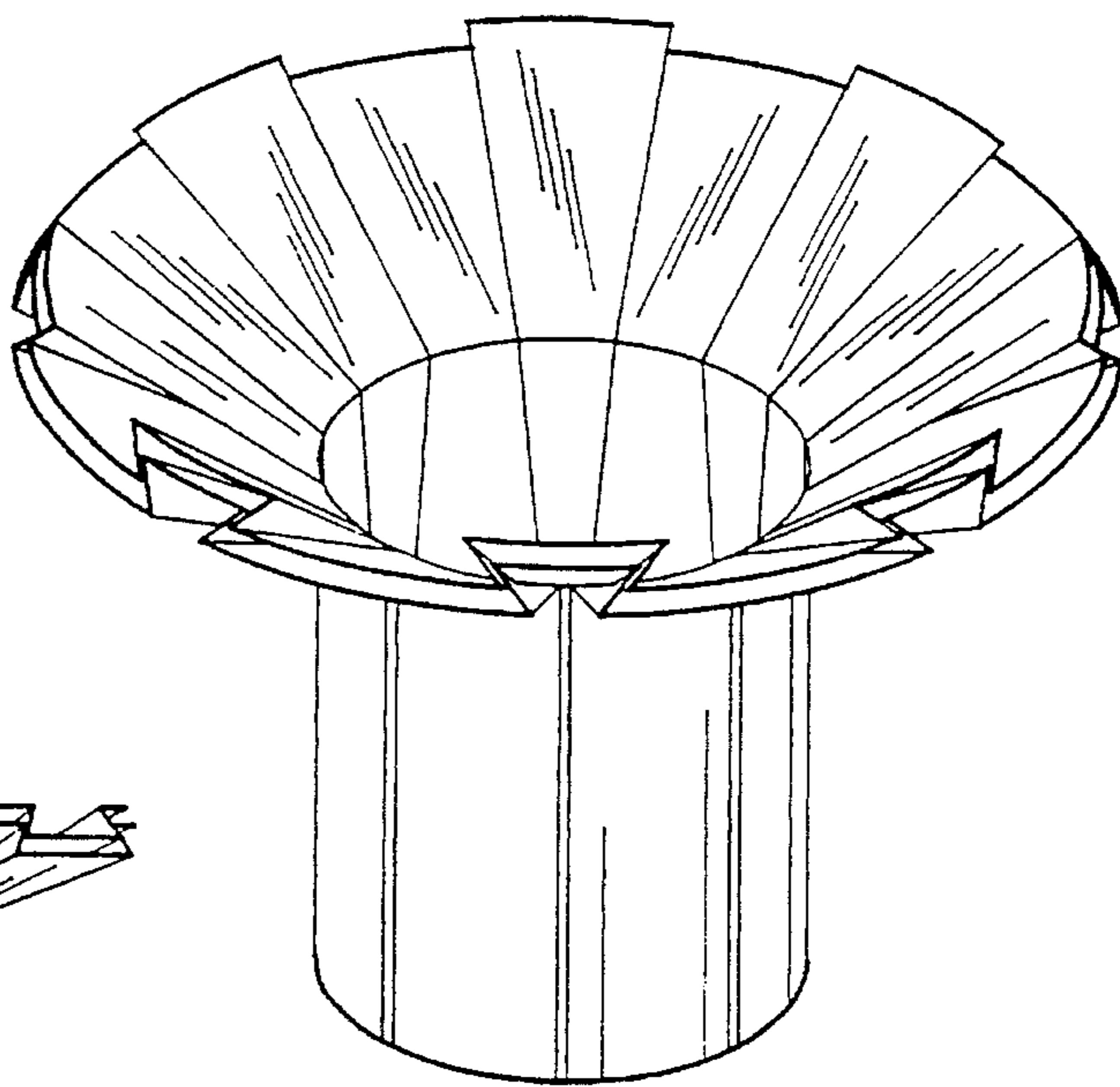


FIG. 8

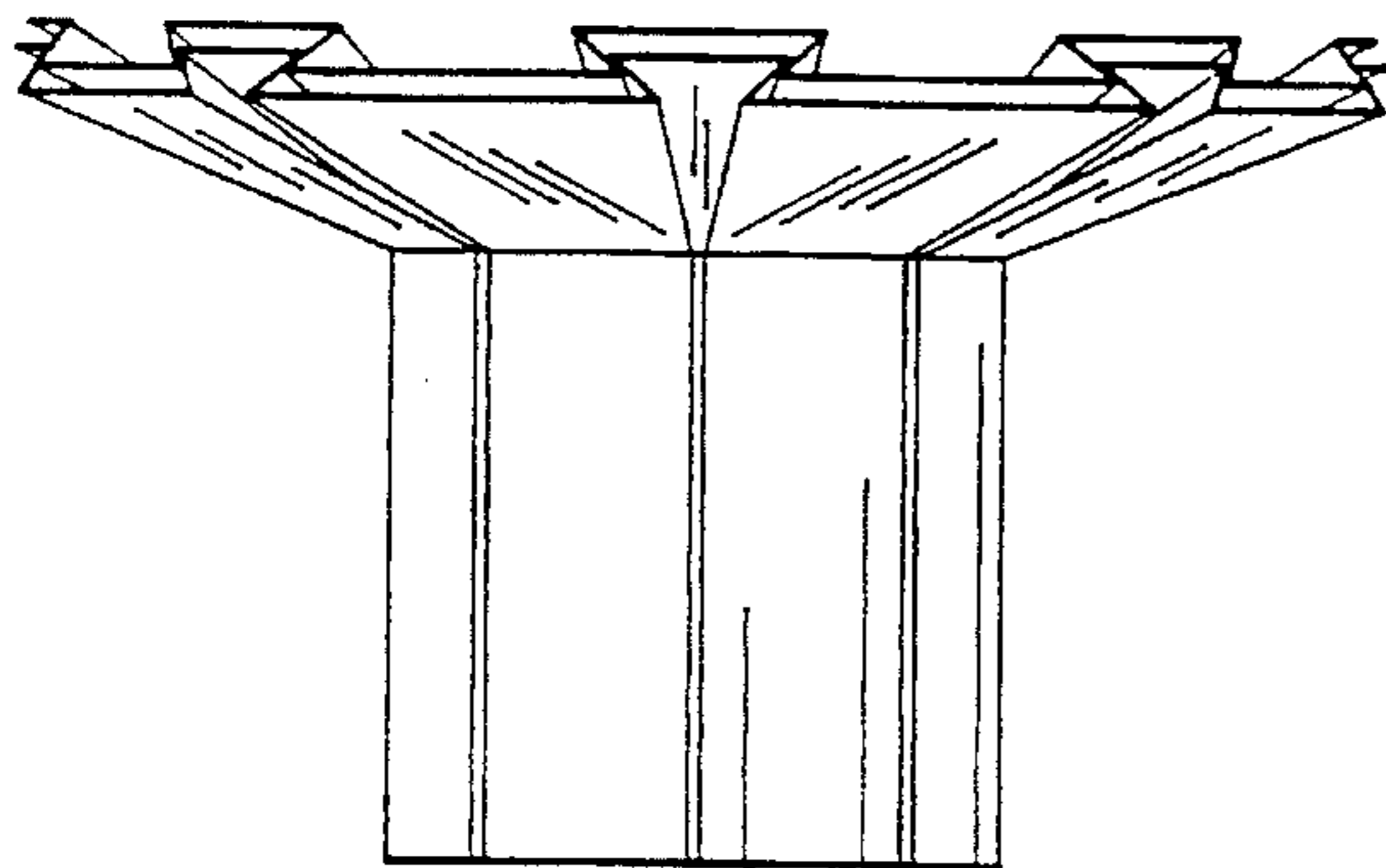


FIG. 9

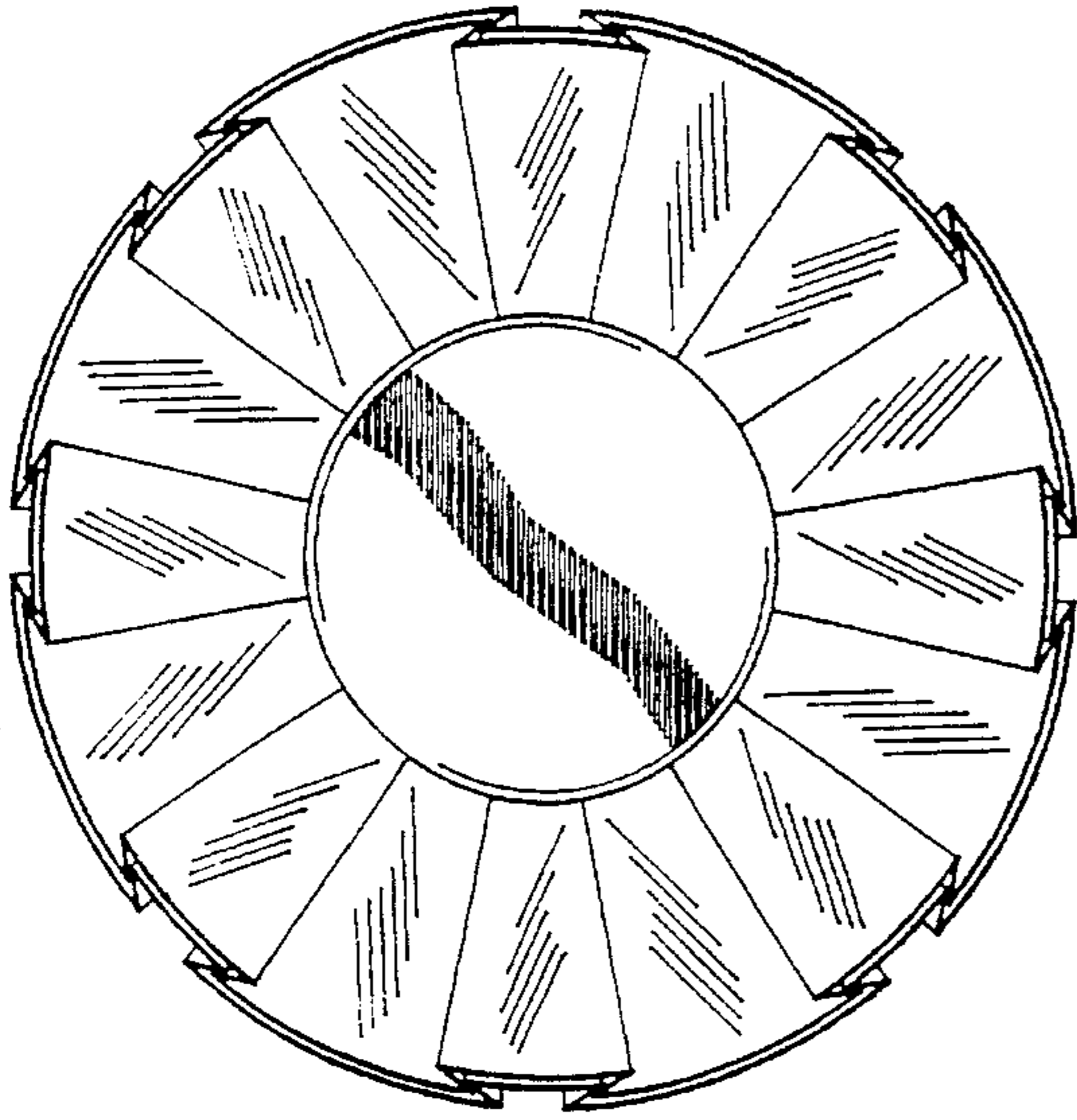


FIG. 10

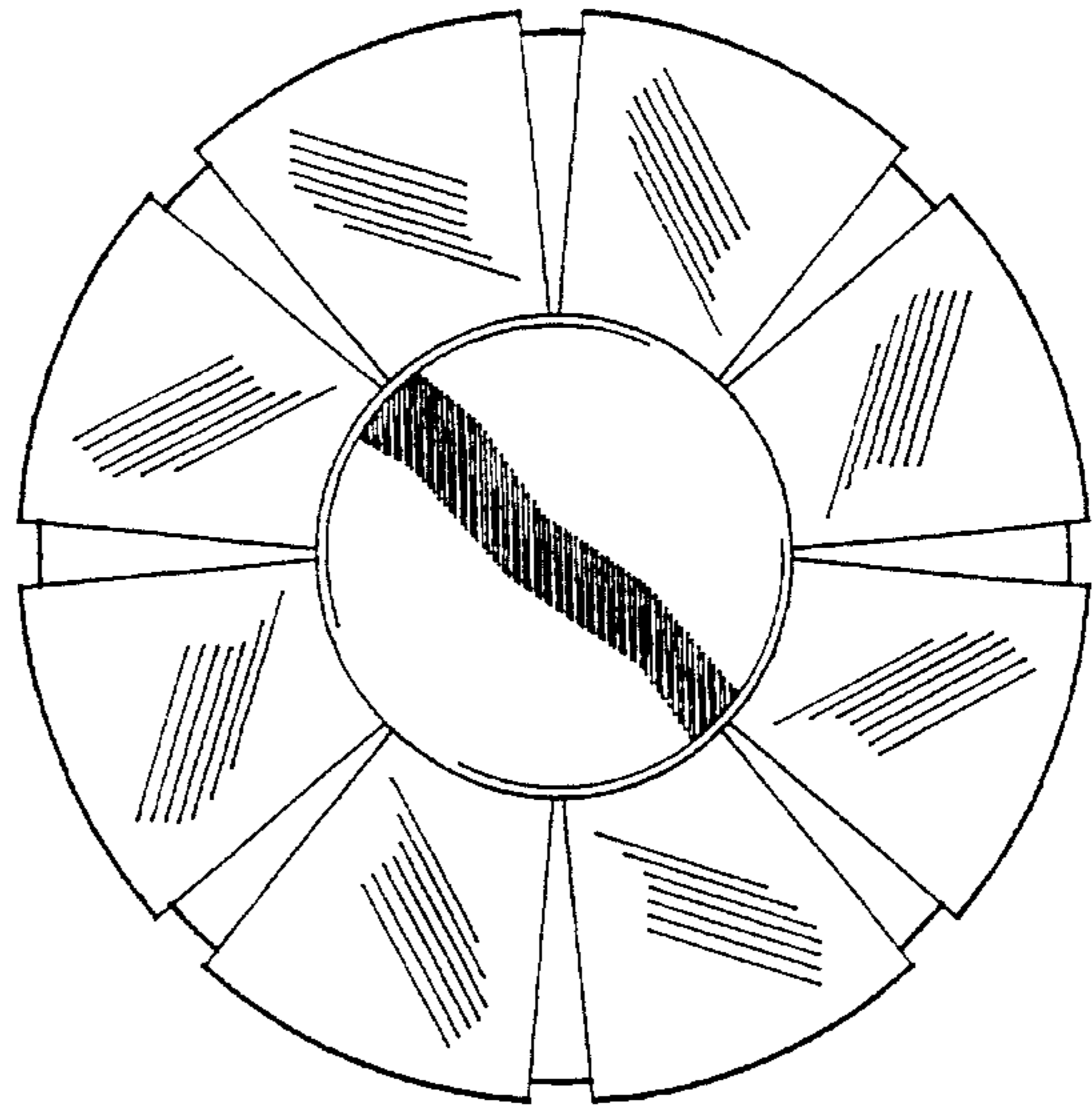


FIG. 11

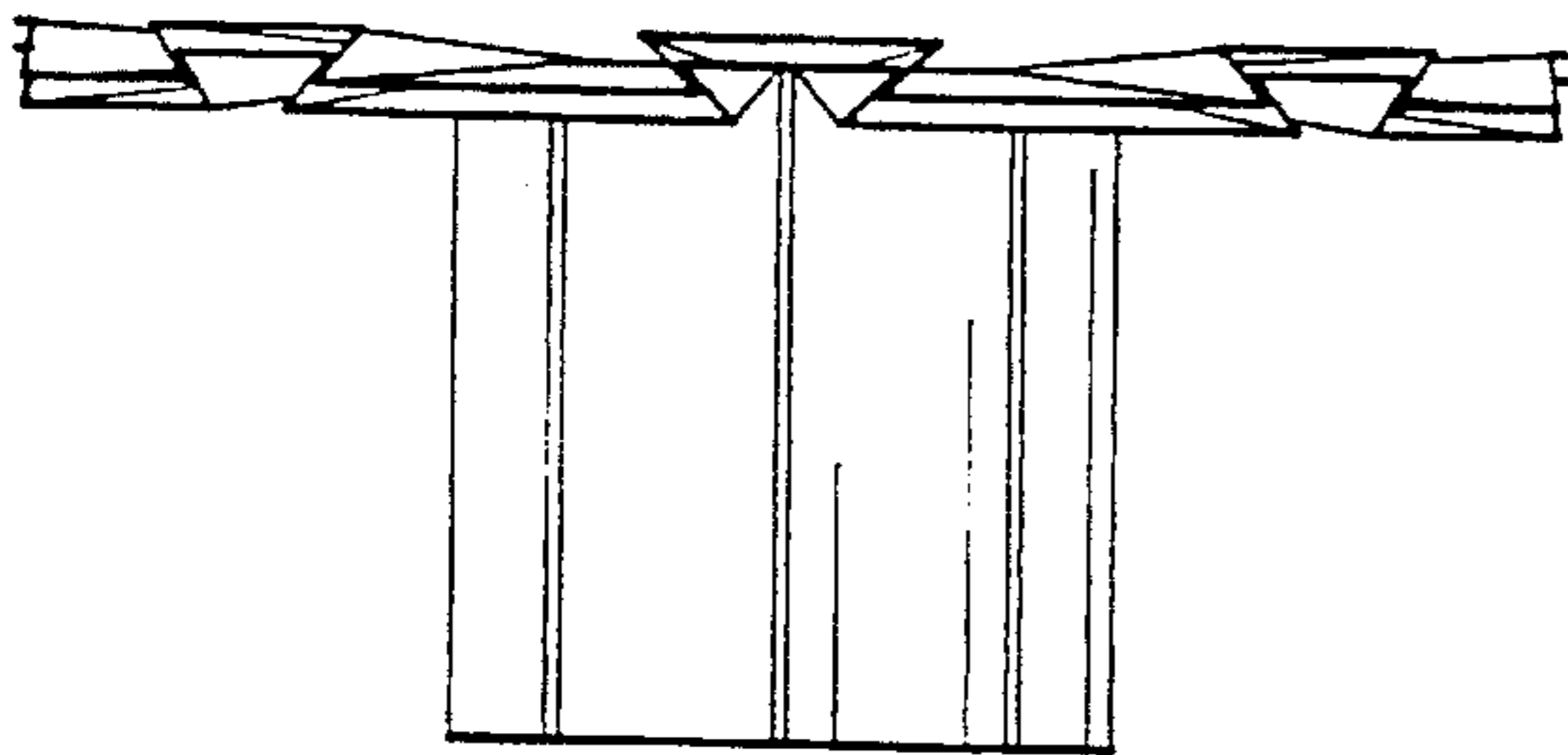


FIG. 12

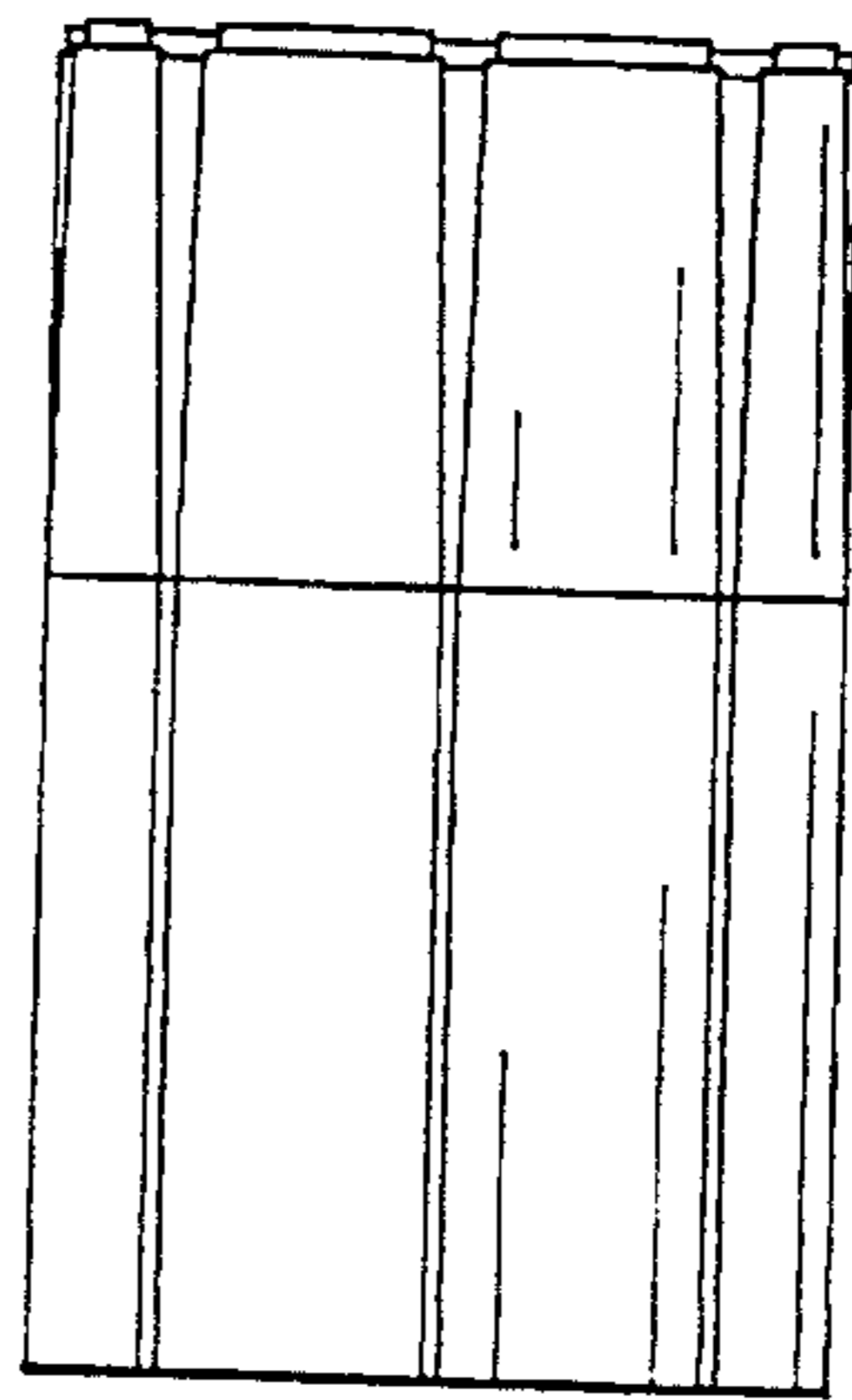


FIG. 13

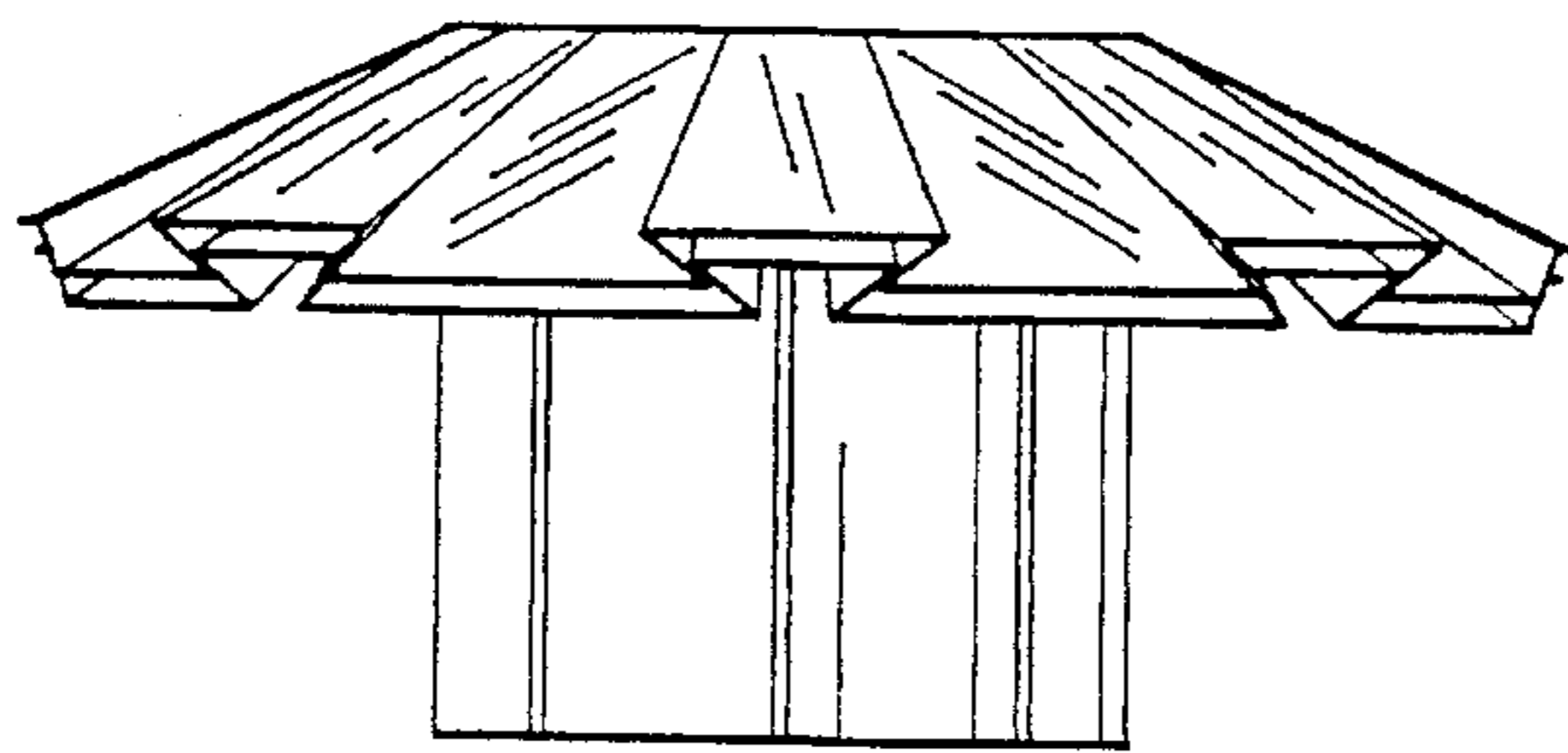


FIG. 14

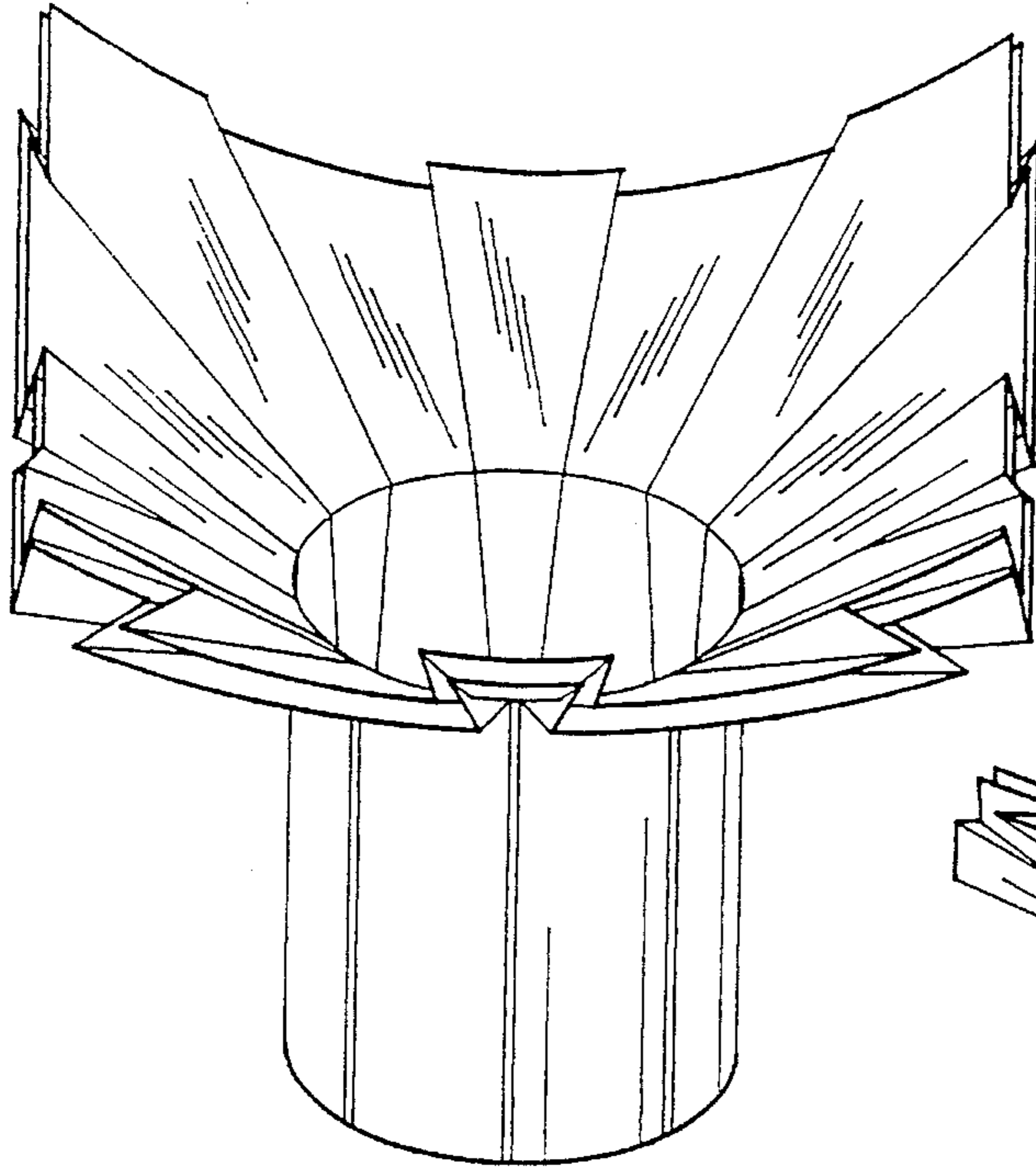


FIG. 15

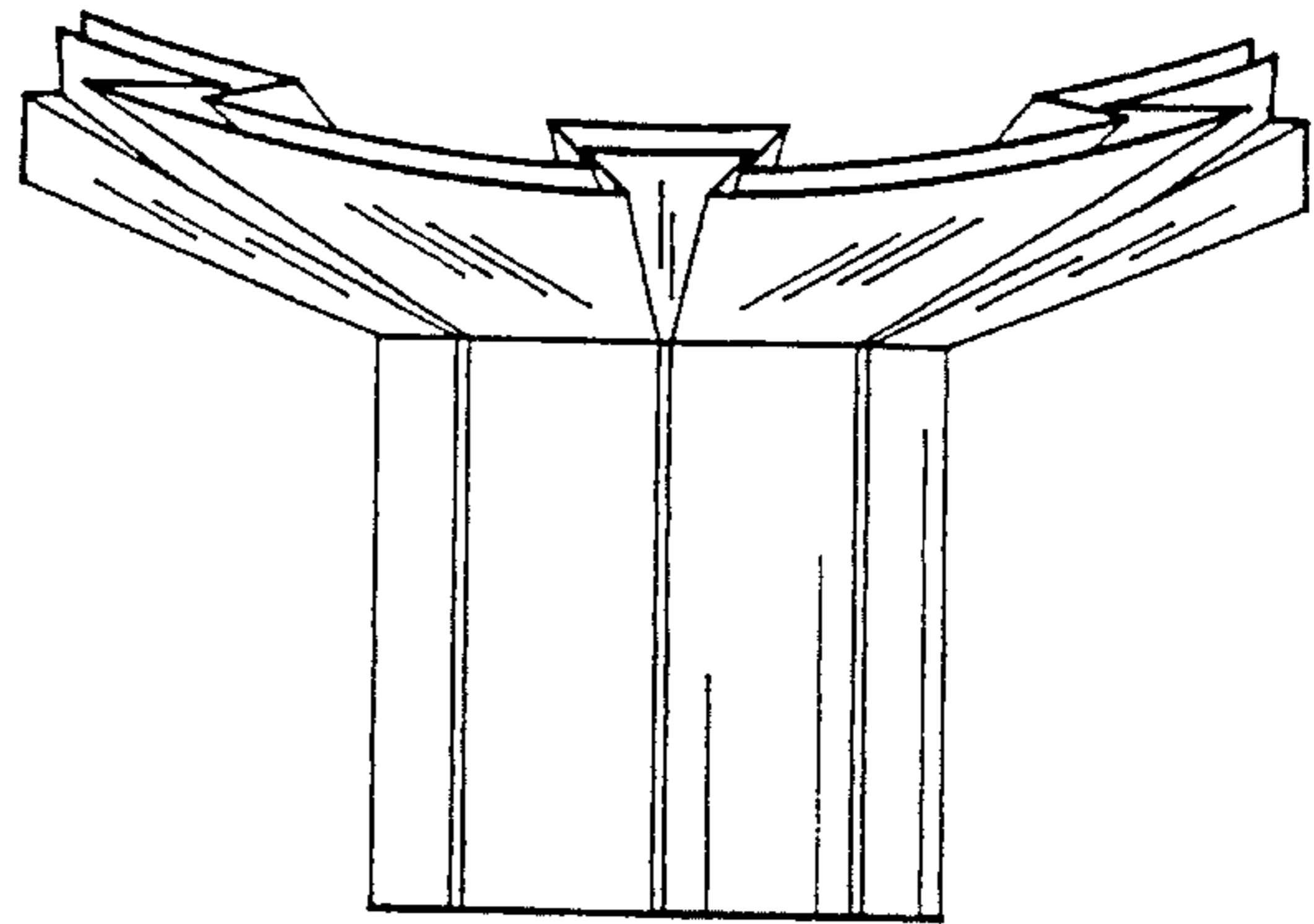


FIG. 16

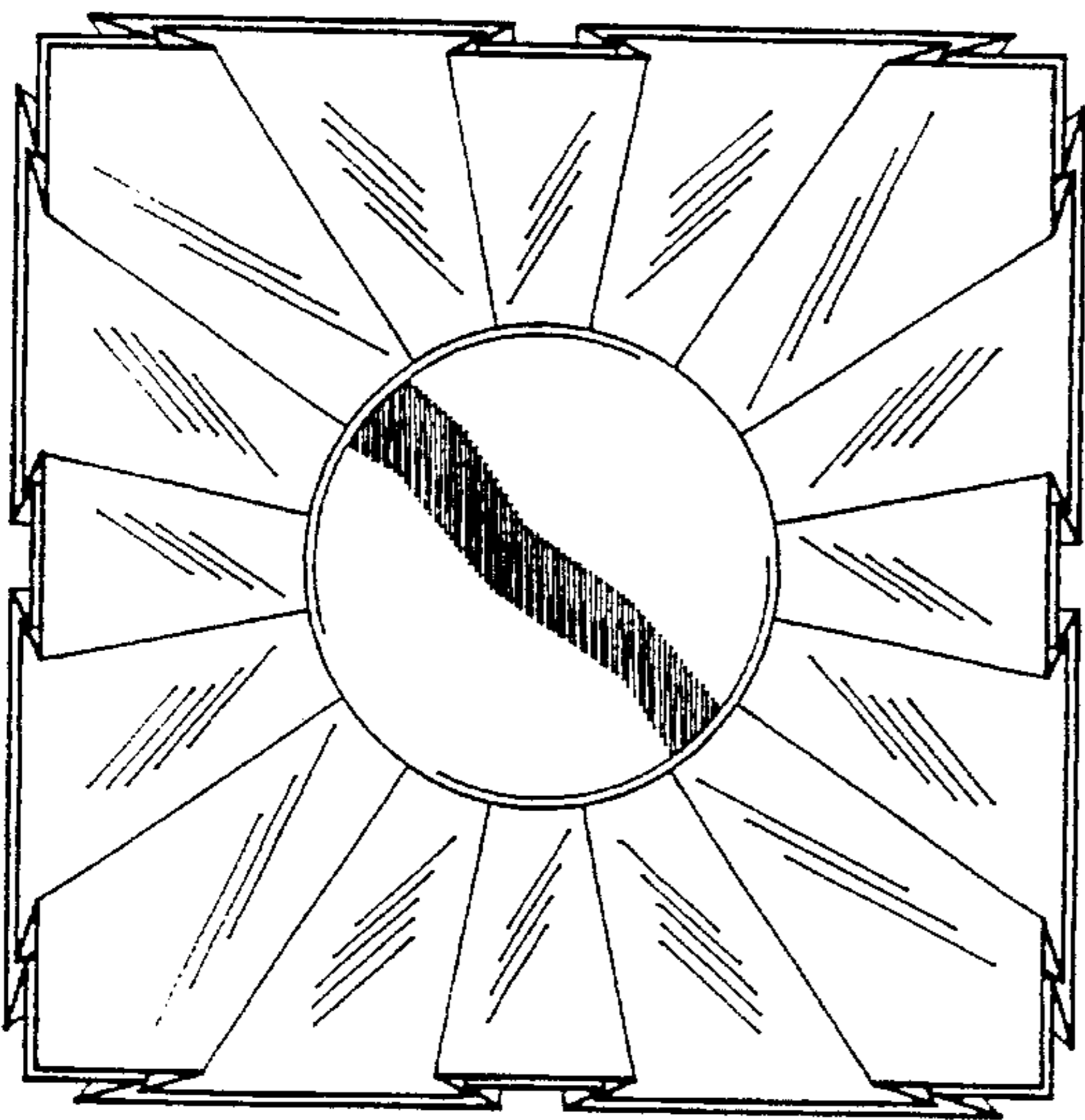


FIG. 17

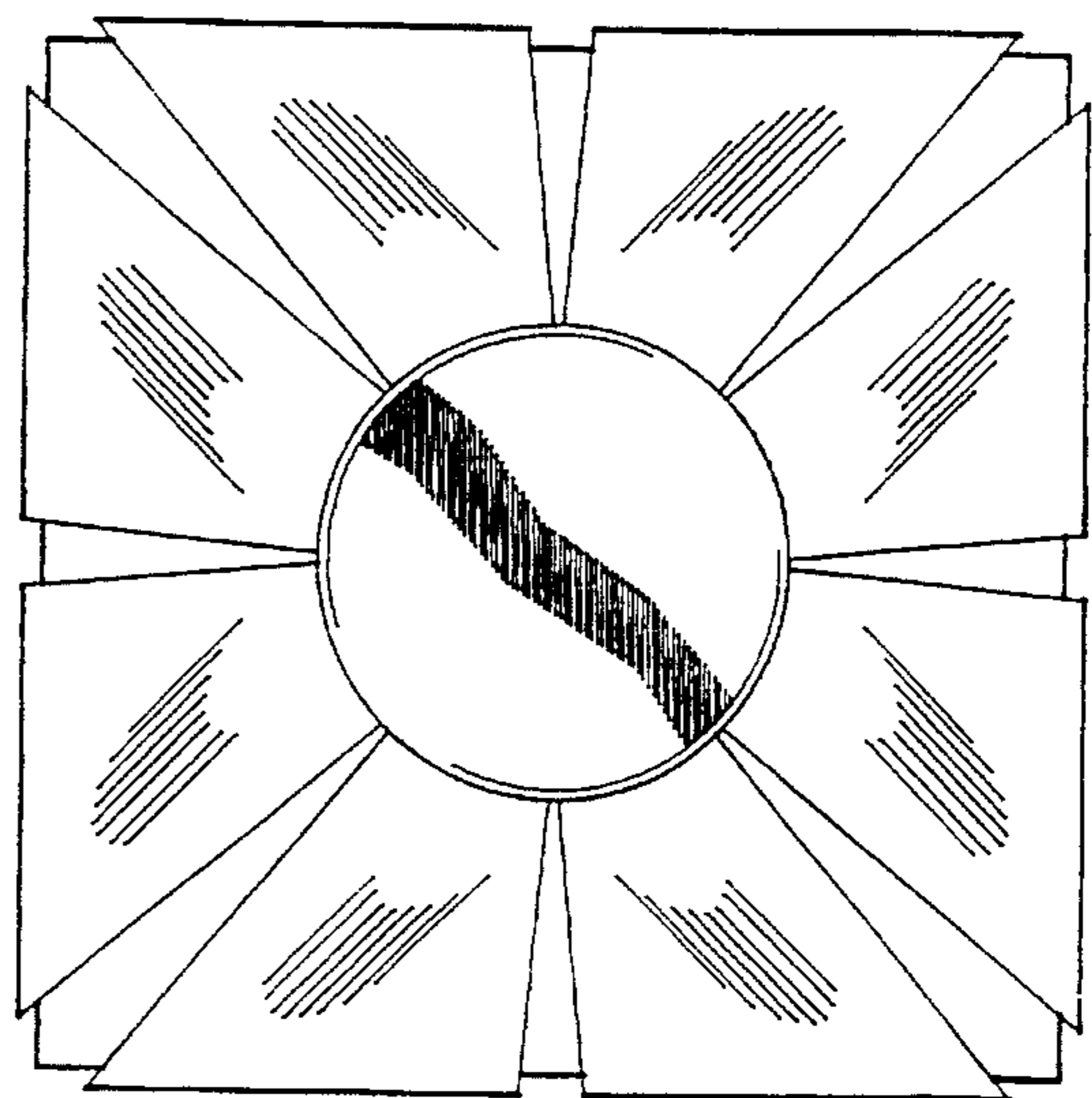


FIG. 18

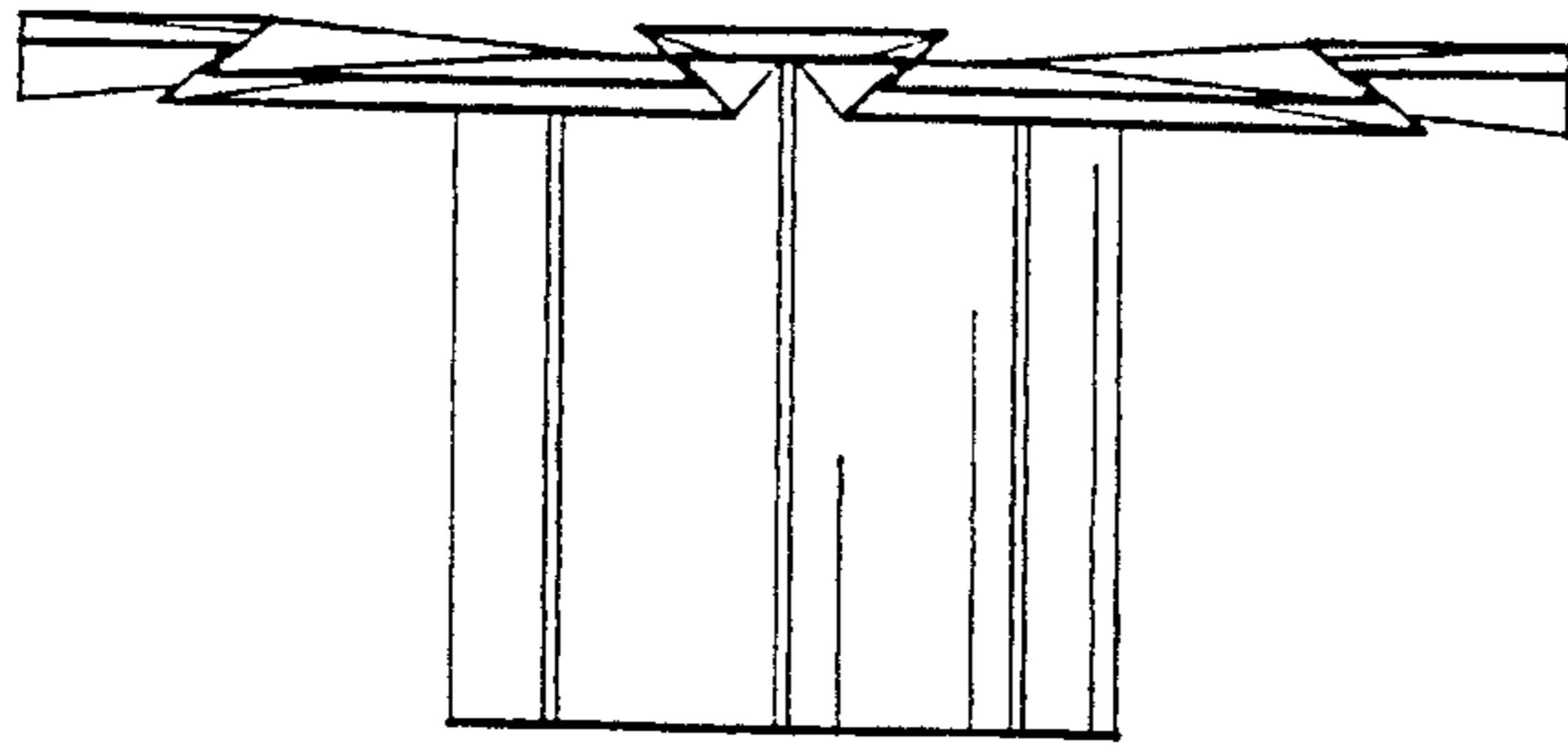


FIG. 19

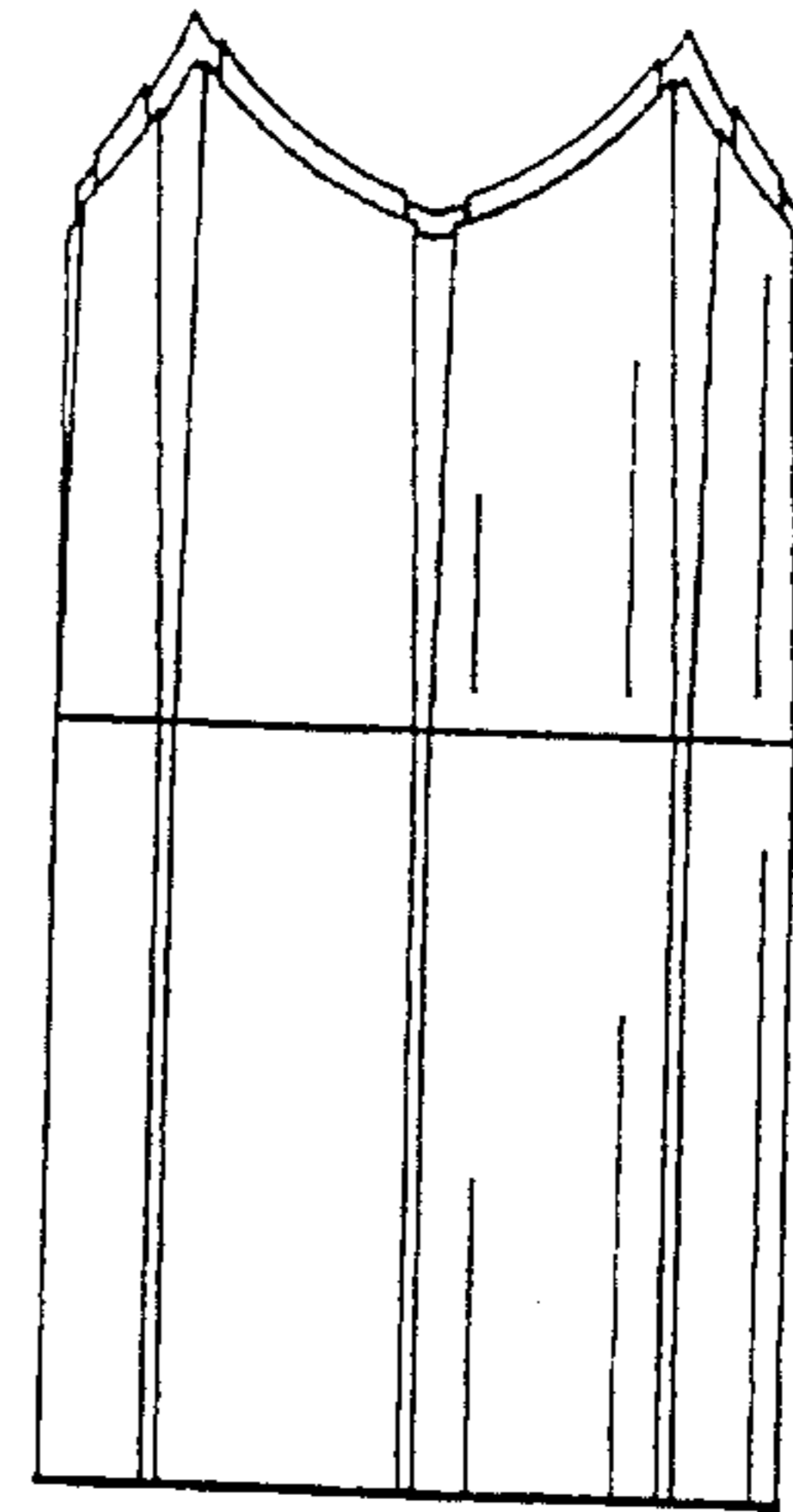


FIG. 20

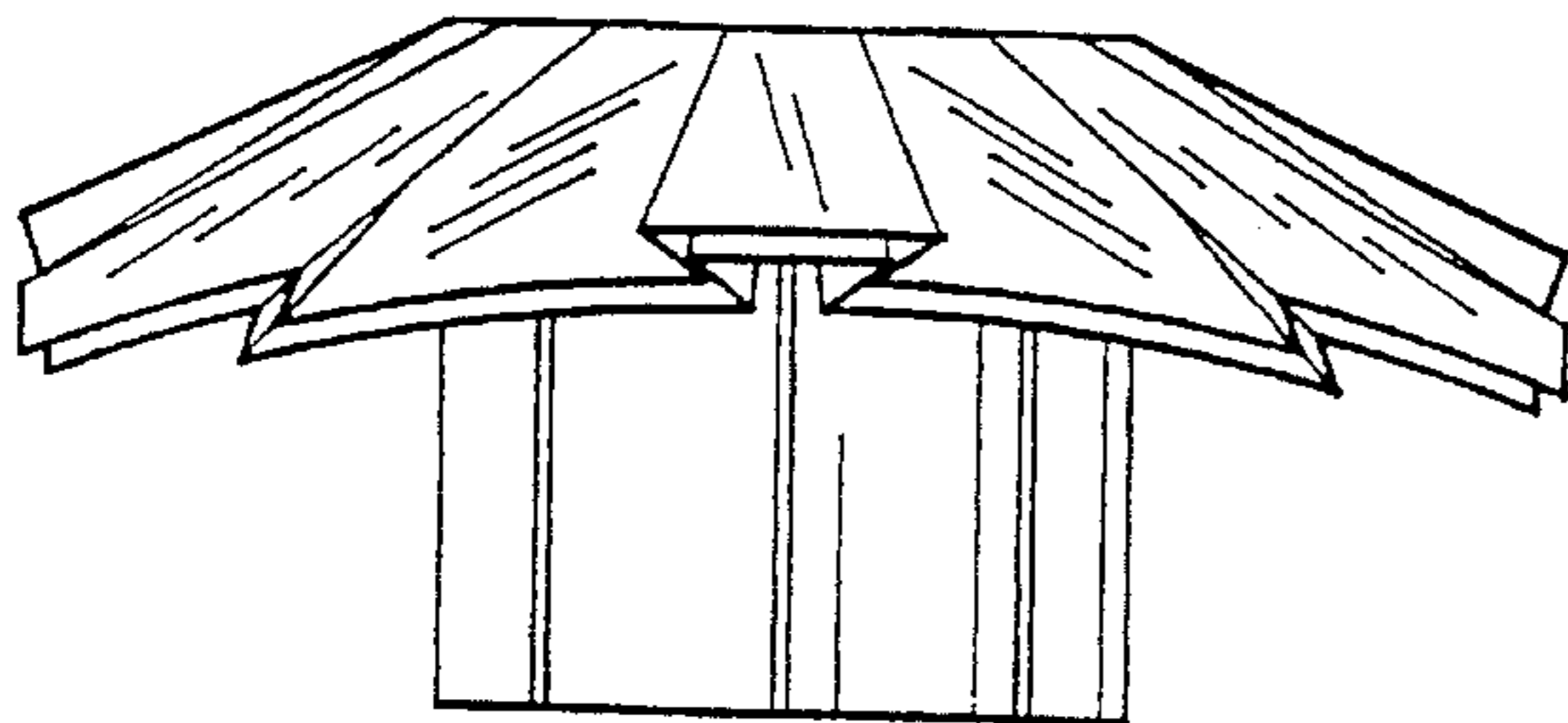


FIG. 21

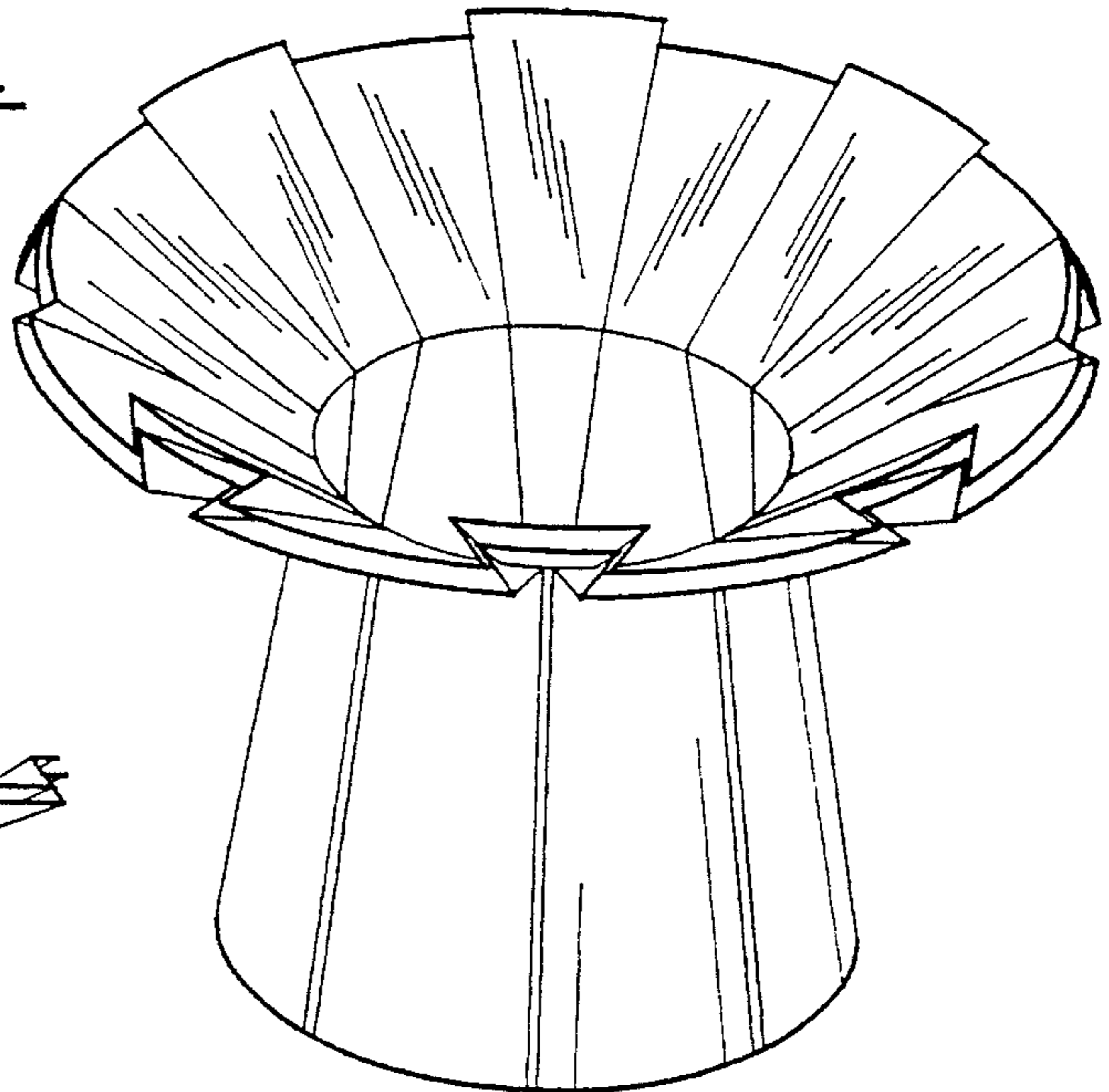


FIG. 22

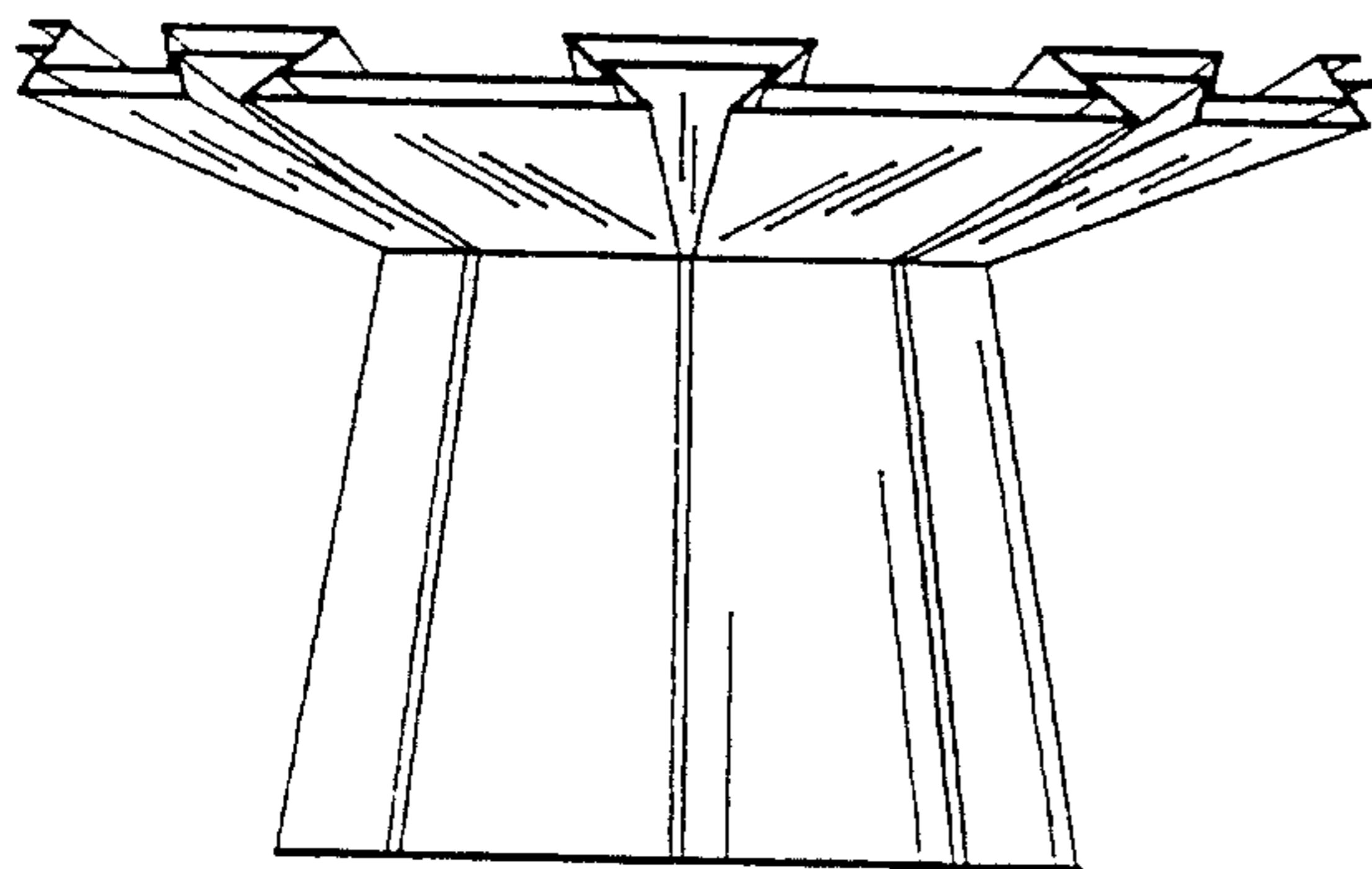


FIG. 23

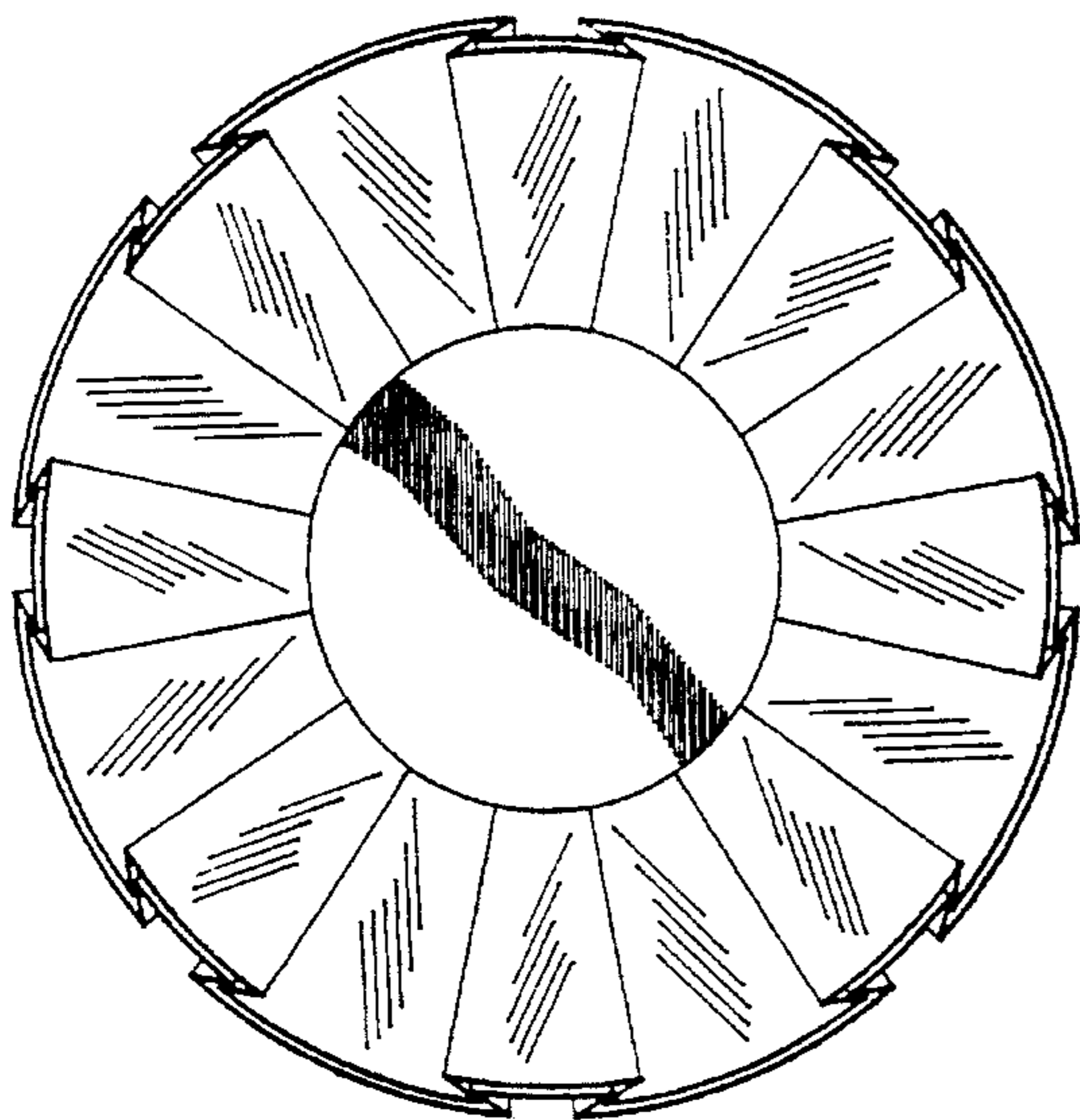


FIG. 24

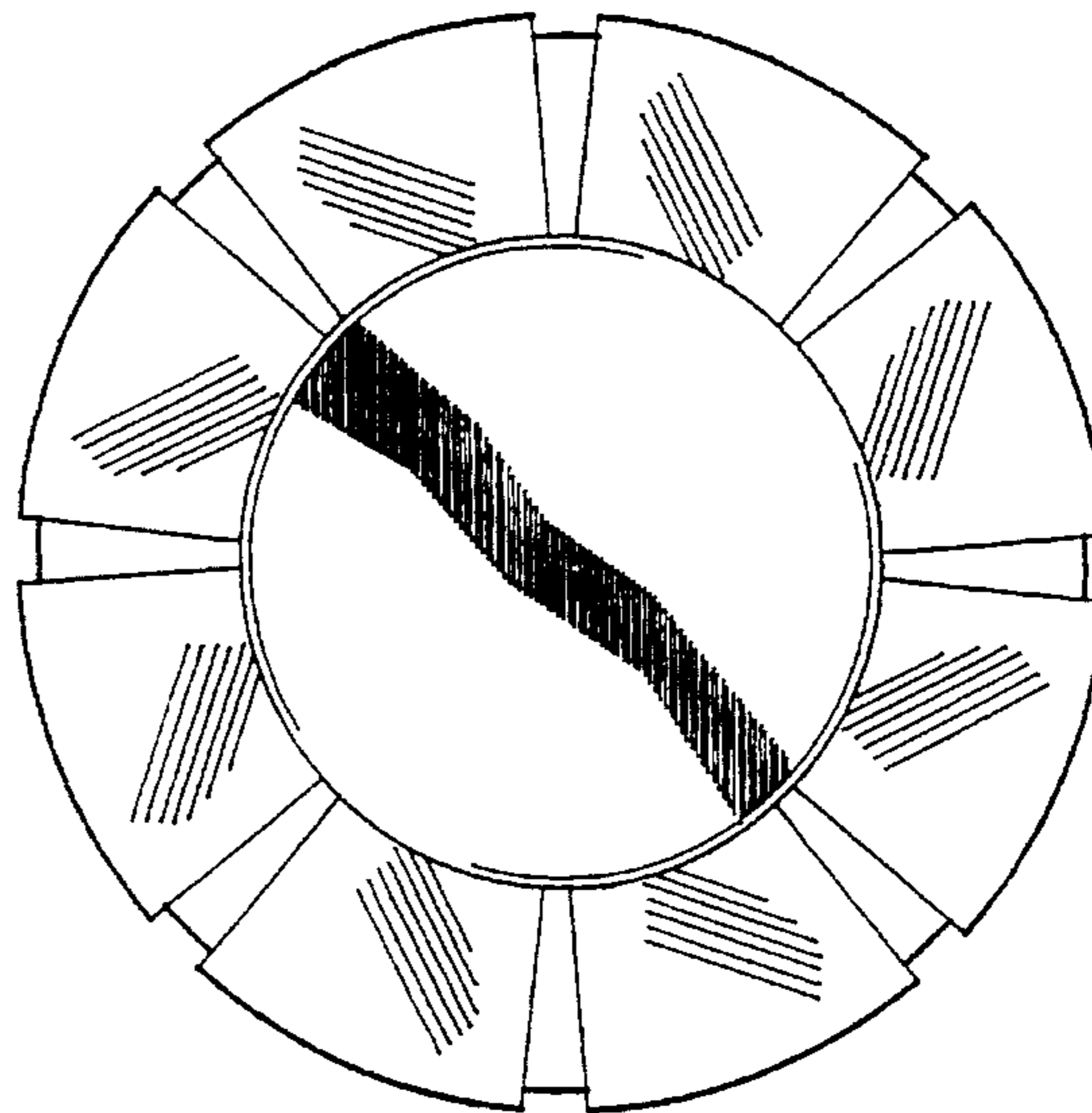


FIG. 25

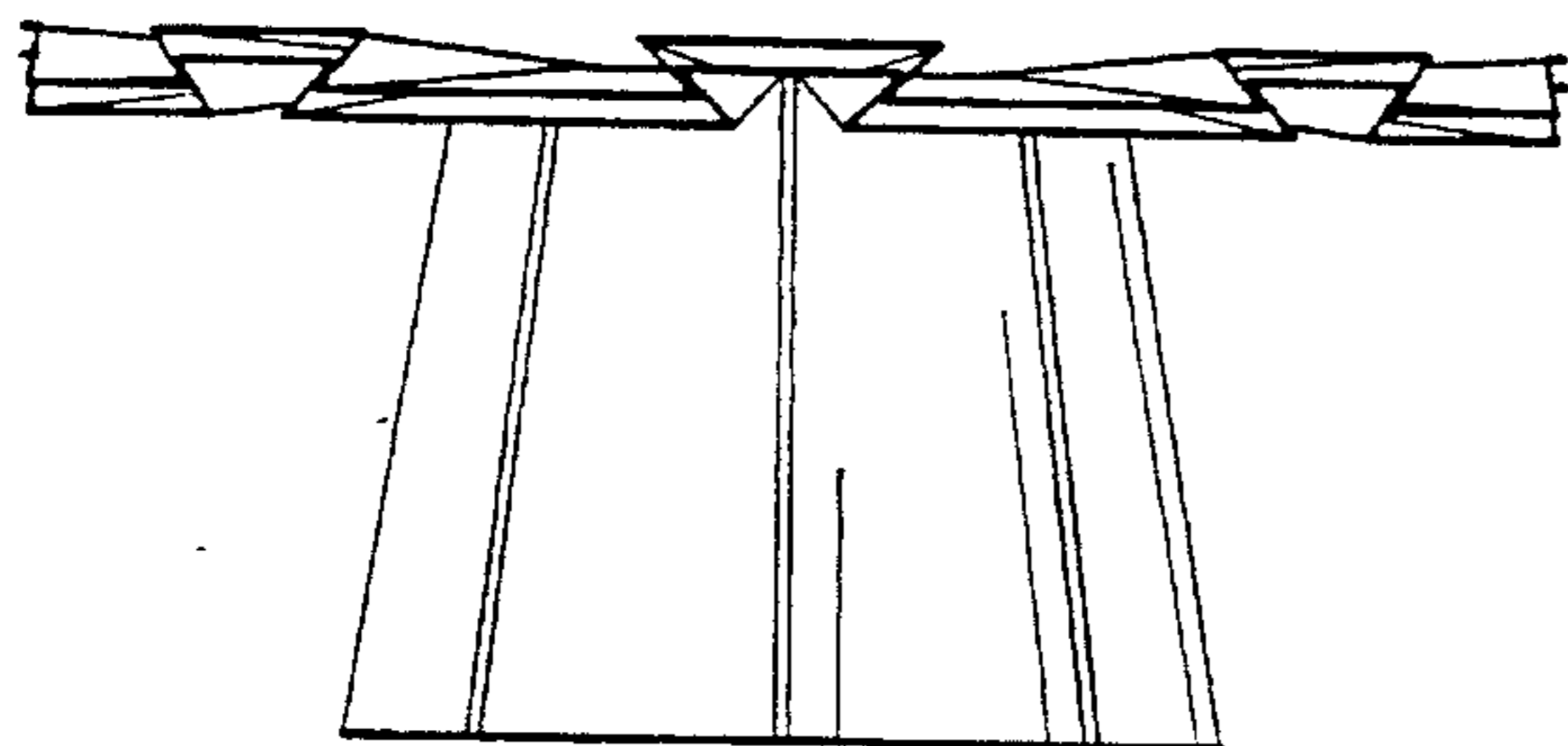


FIG. 26

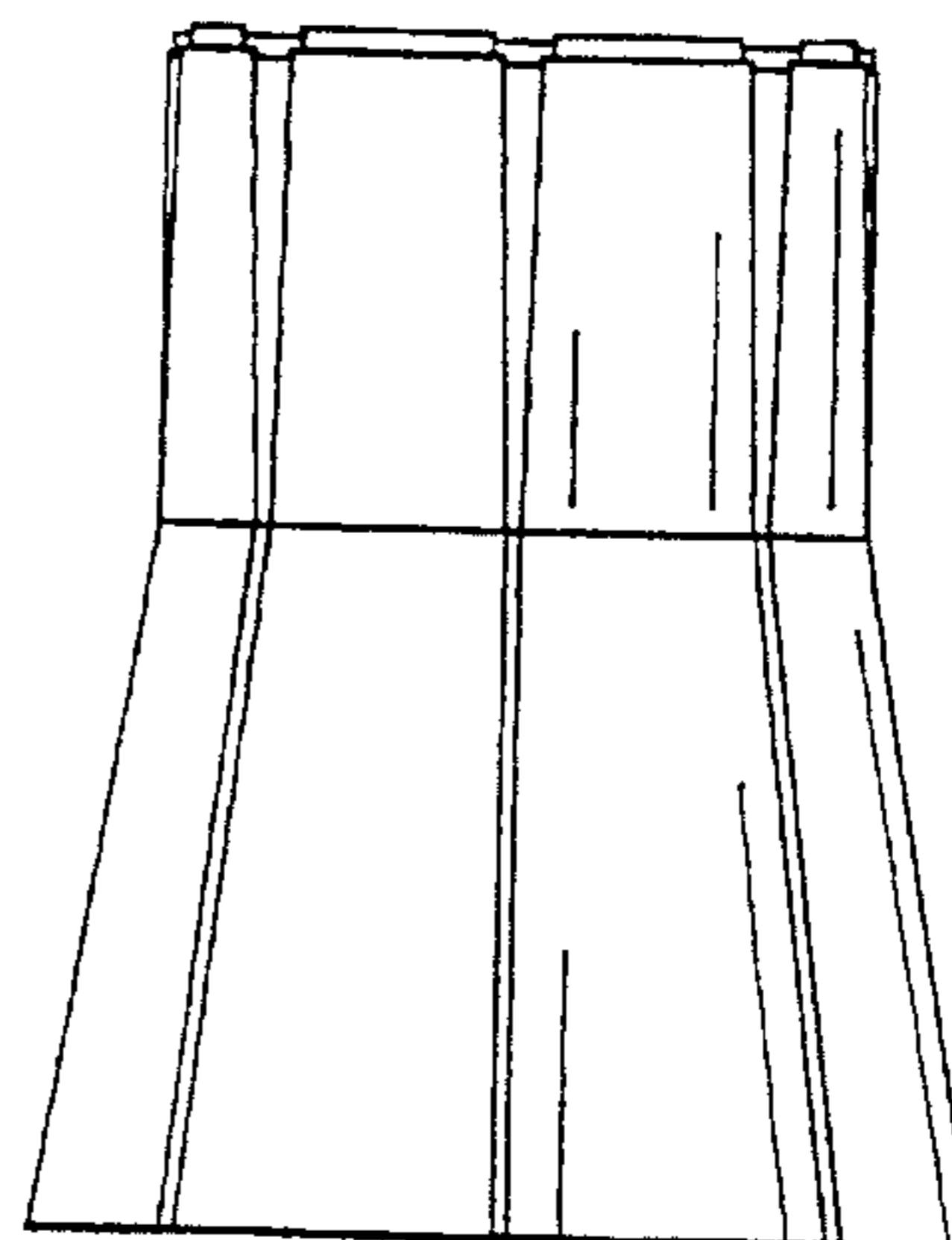


FIG. 27

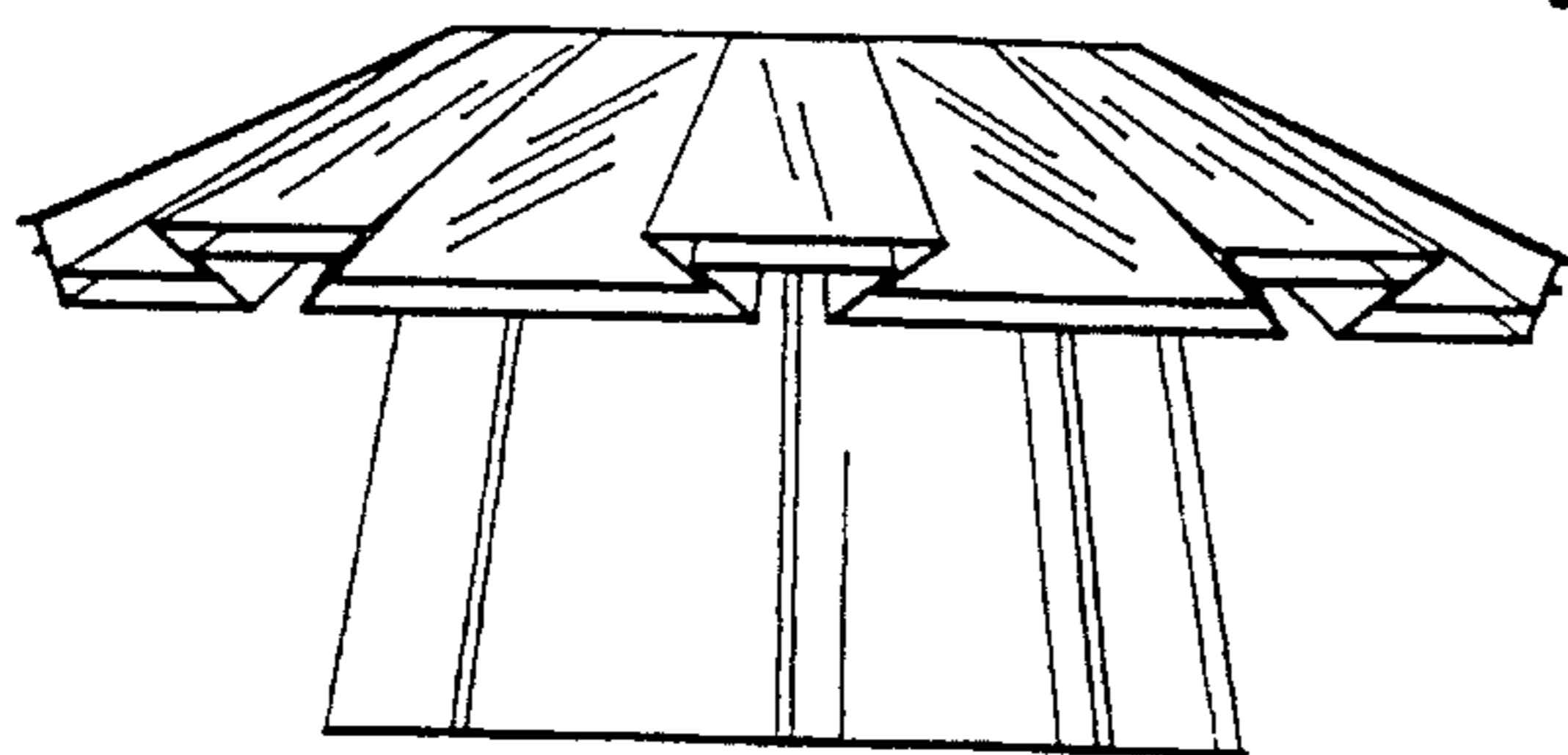


FIG. 28



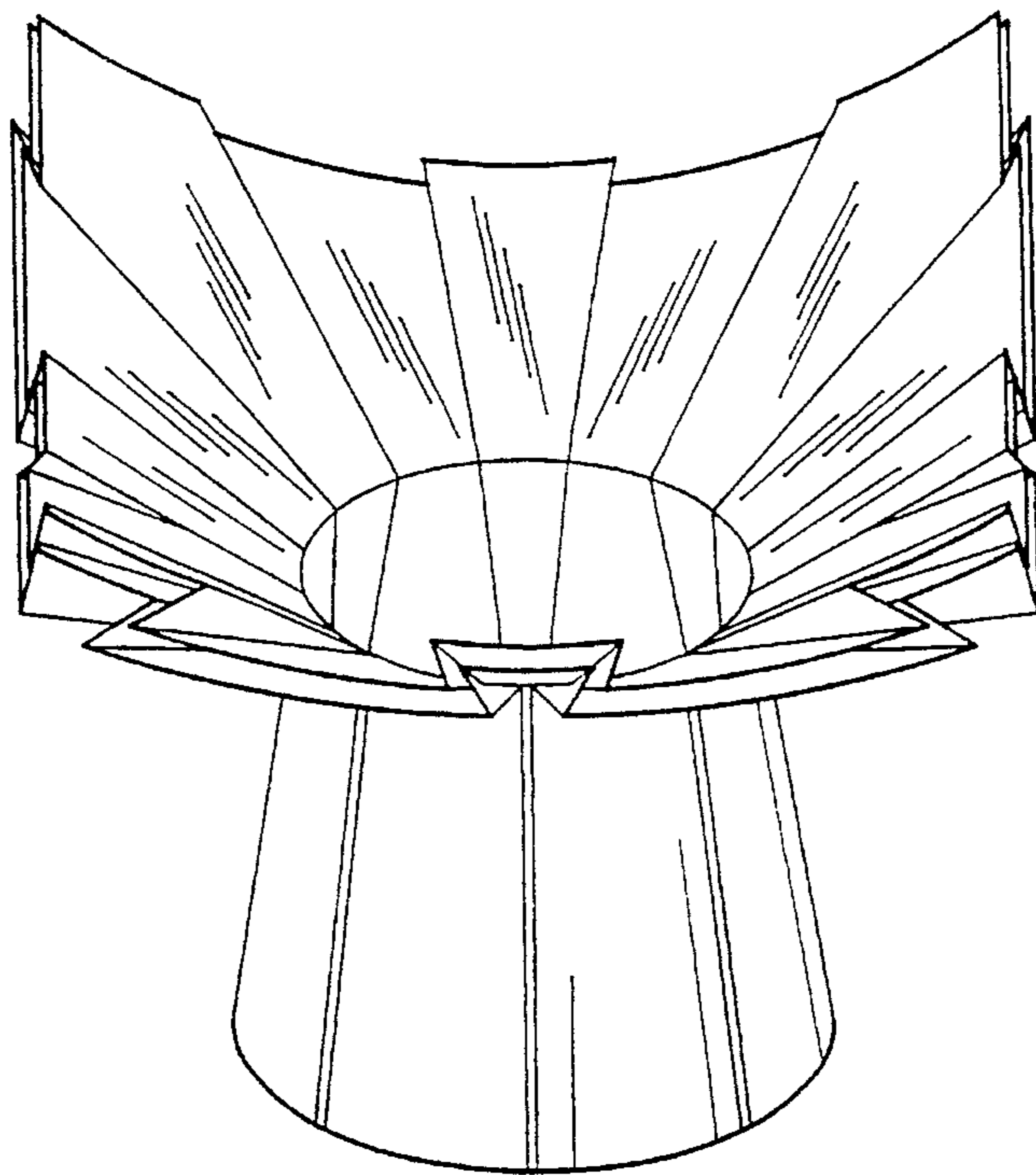


FIG. 28

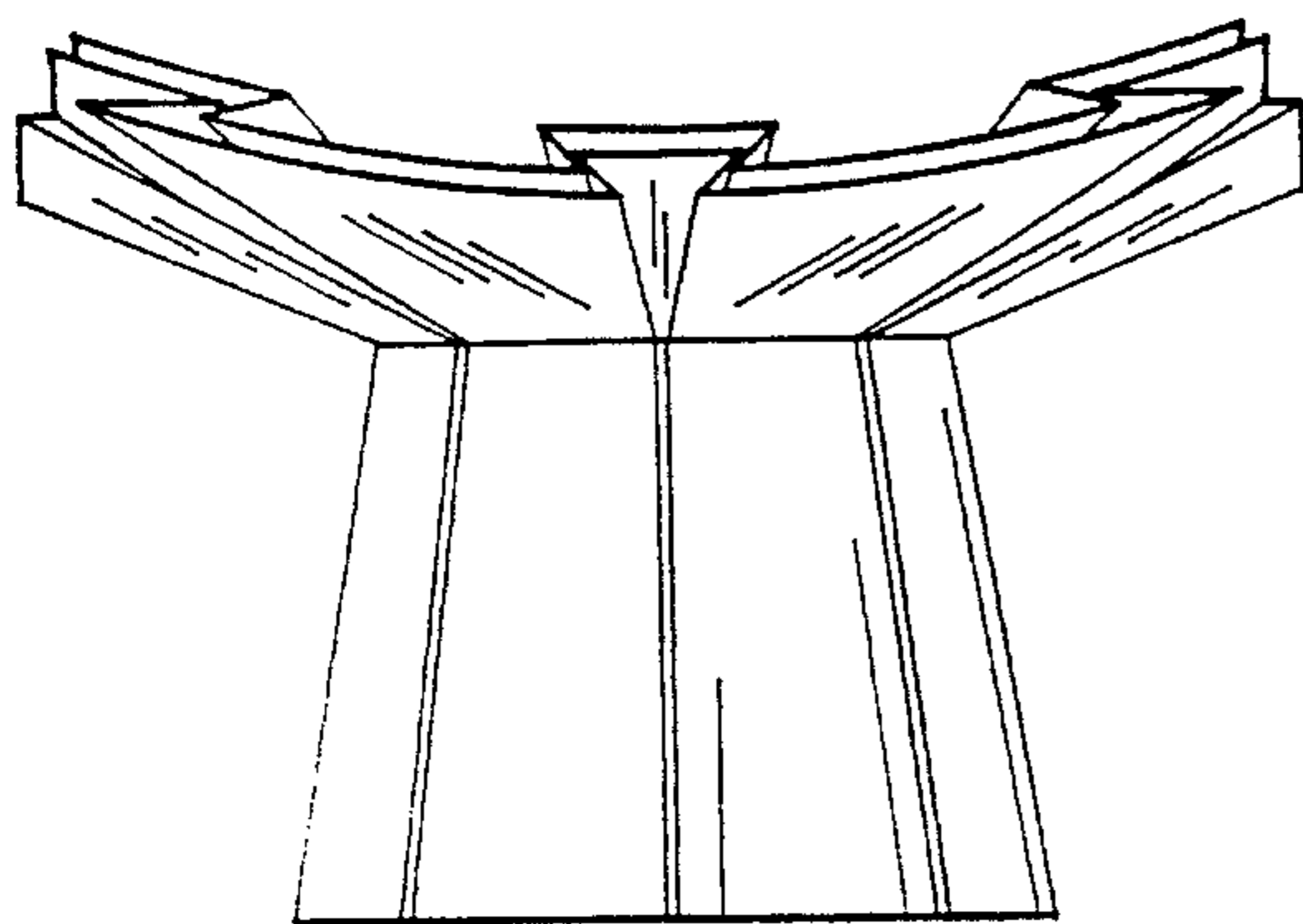


FIG. 30

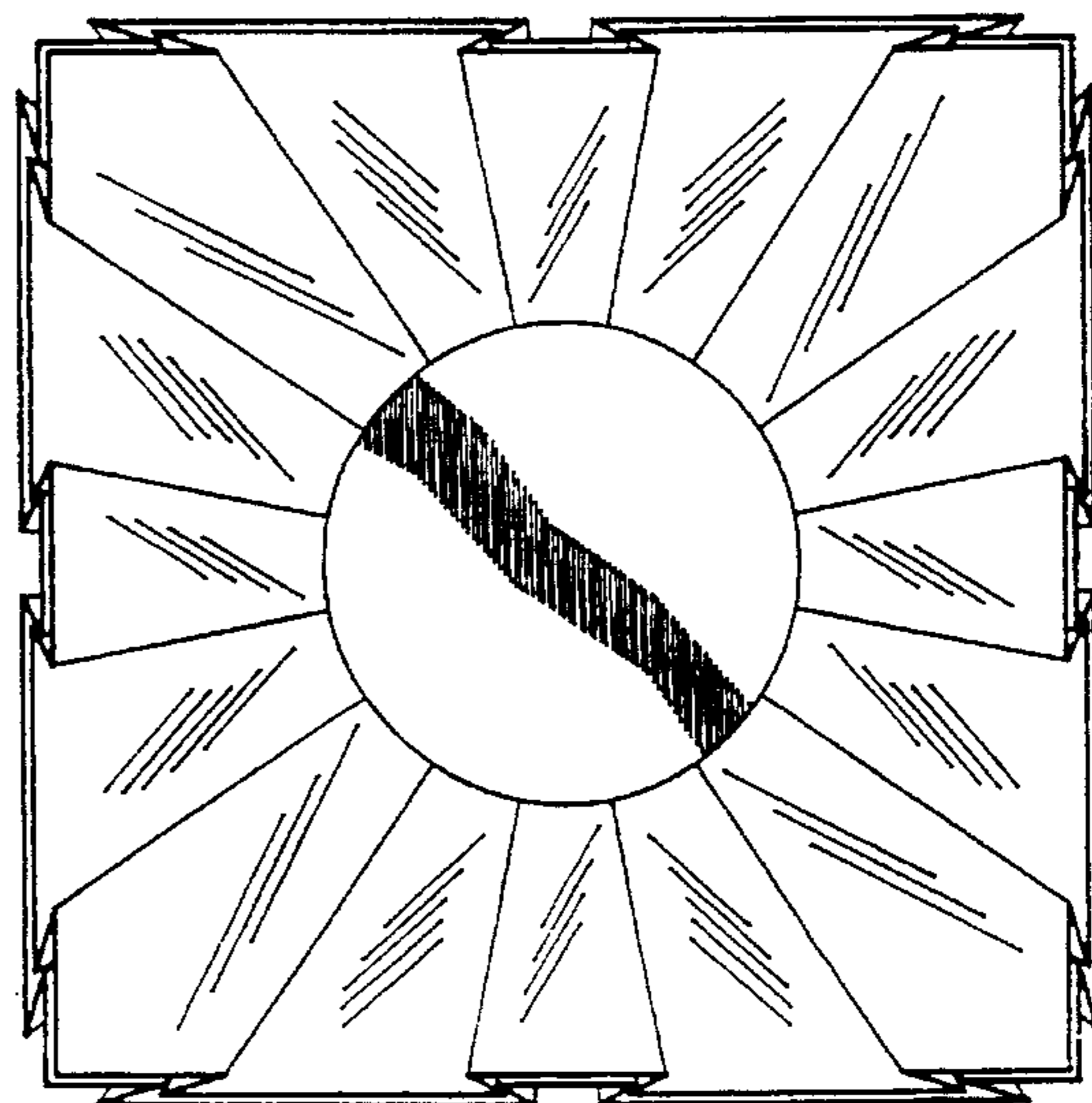


FIG. 31

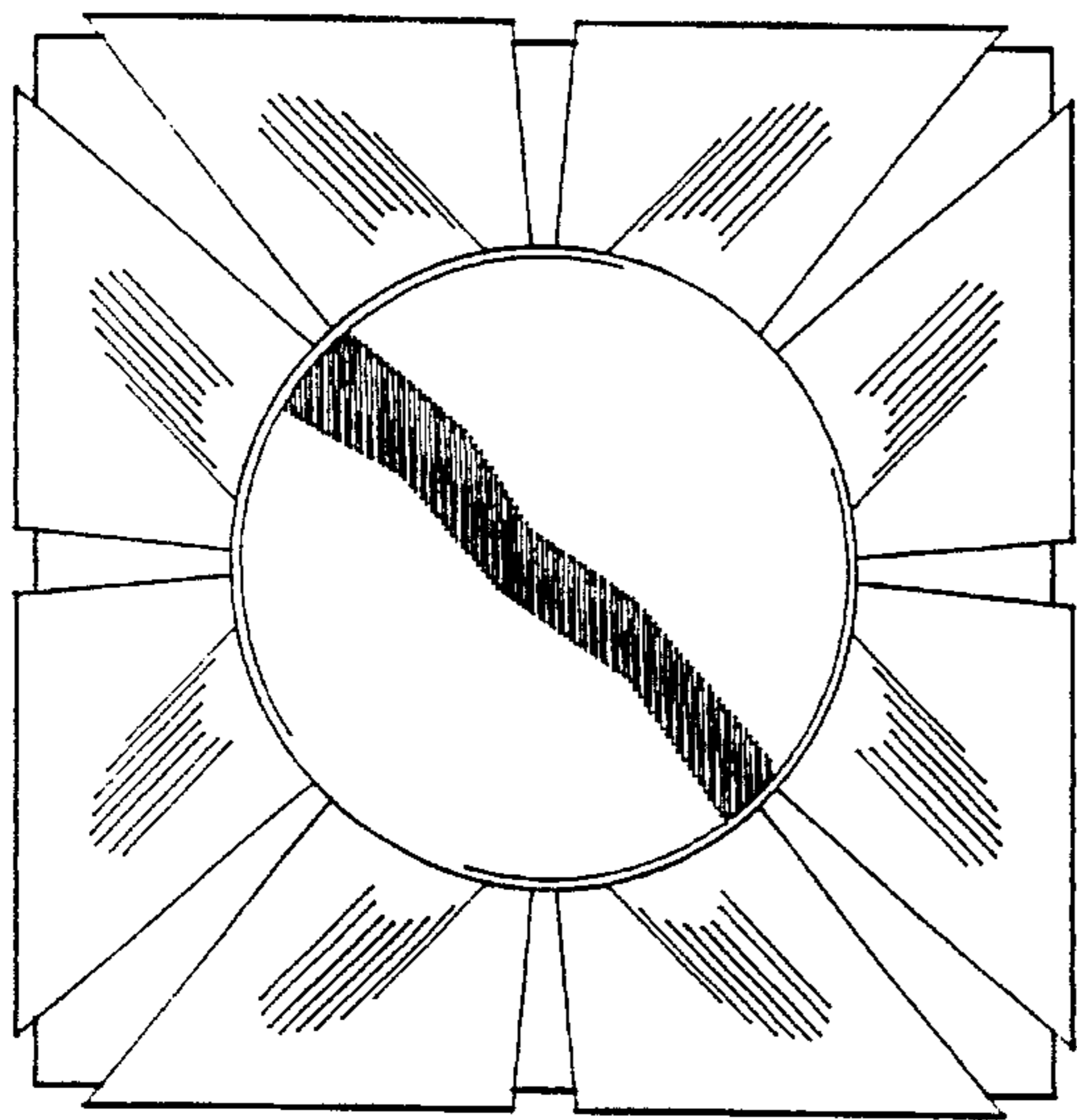


FIG. 32

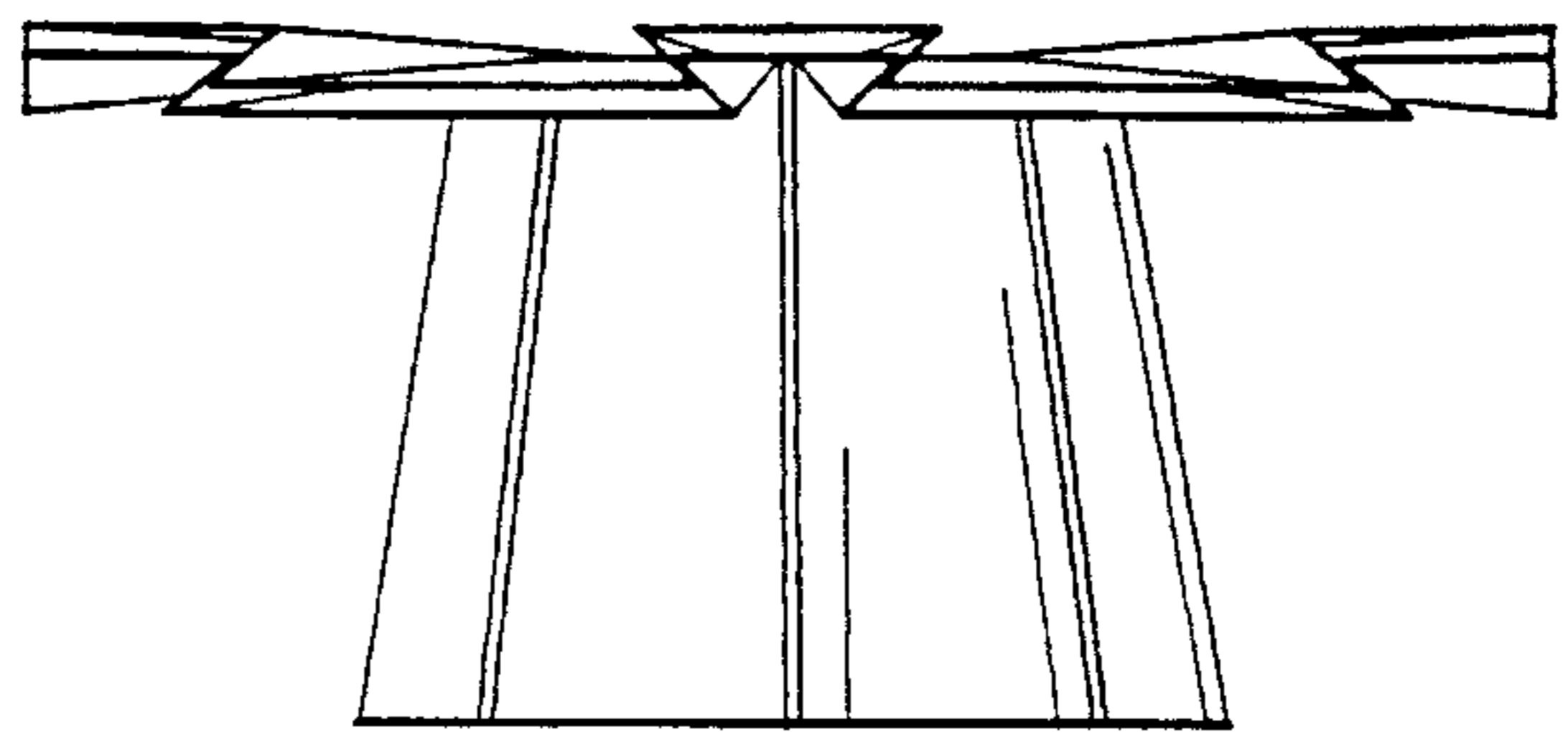


FIG. 33

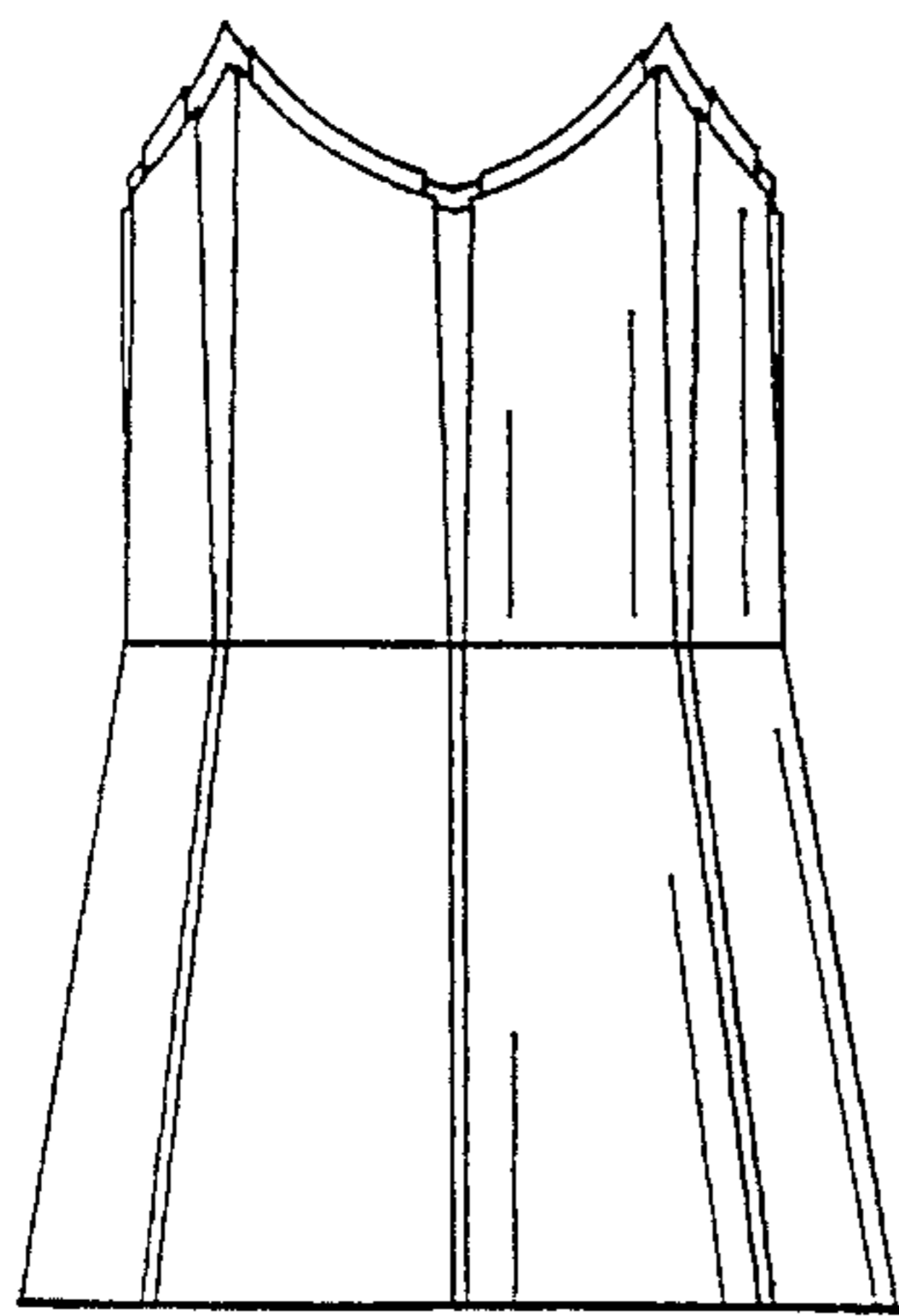


FIG. 34

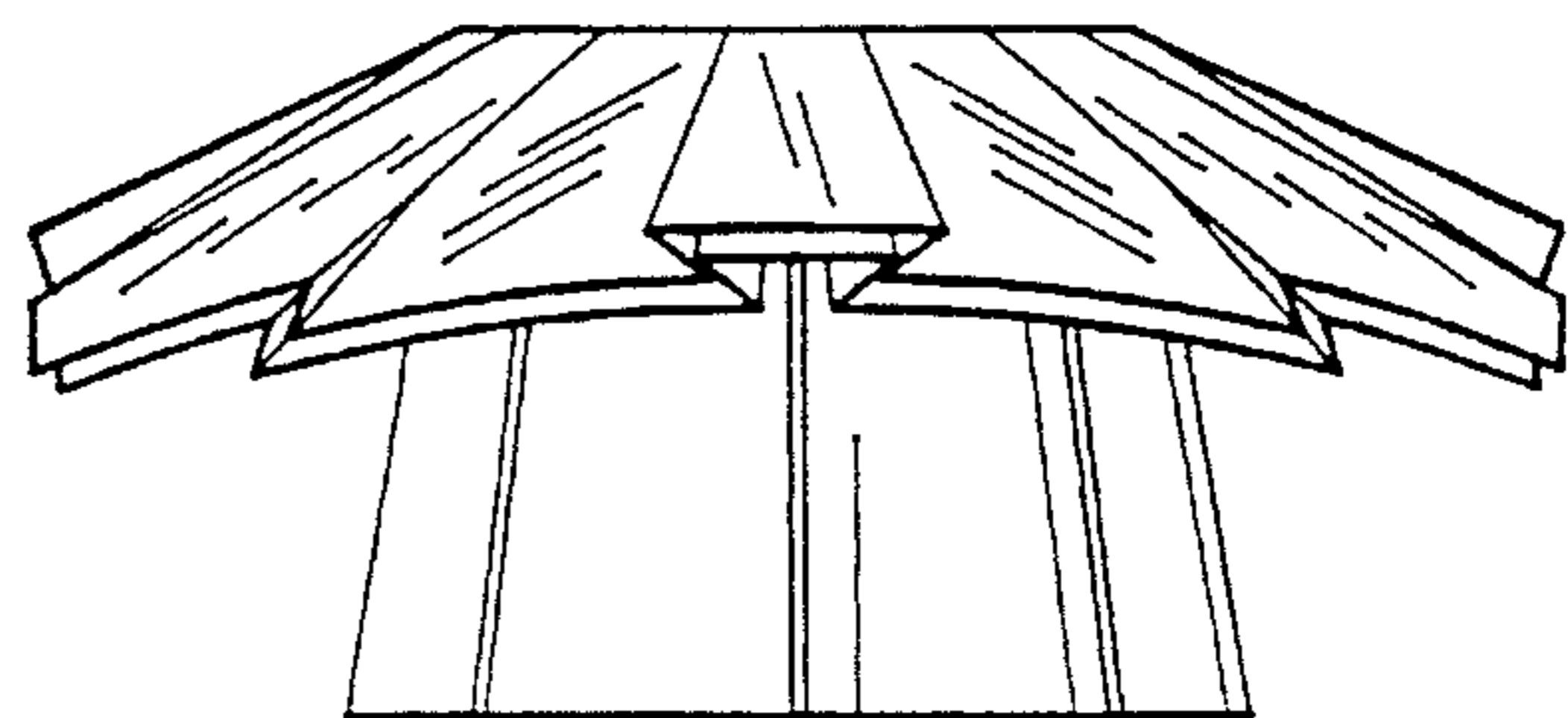


FIG. 35