



US00D373739S

United States Patent [19]
Urlich

[11] **Patent Number: Des. 373,739**
[45] **Date of Patent: **Sep. 17, 1996**

[54] **SCALE PLATE FOR MEASURING INSTRUMENTS**
[75] Inventor: **Manfred Urlich**, Usingen, Germany
[73] Assignee: **Barksdale Inc.**, Los Angeles, Calif.
[**] Term: **14 Years**

5,166,610 11/1992 Bezos et al. 324/160

Primary Examiner—Antoine Duval Davis
Attorney, Agent, or Firm—Nikaido, Marmelstein, Murray & Oram LLP

[21] Appl. No.: **42,316**

[22] Filed: **Aug. 7, 1995**

[30] **Foreign Application Priority Data**

Feb. 8, 1995 [DE] Germany M 95 01 062.9

[52] **U.S. Cl.** **D10/94; D10/103; D10/123; D10/125**

[58] **Field of Search** **D10/94, 103, 123, D10/125; 73/308, 313, 319, 715, 431, 866.1; 116/267, 330; 313/500, 517; 324/115; 359/89**

[56] **References Cited**

U.S. PATENT DOCUMENTS

D. 263,811	4/1982	Hochstrate et al.	D10/123
D. 269,162	5/1983	O'Driscoll	D10/125
D. 269,163	5/1983	O'Driscoll	D10/125
D. 269,164	5/1983	O'Driscoll	D10/125
D. 280,084	8/1985	Kano	D10/125
D. 293,425	12/1987	Ichikawa	D10/125
4,174,500	11/1979	Kuga	324/115
4,227,777	10/1980	Murakami	D10/123
5,079,509	1/1992	March	324/115

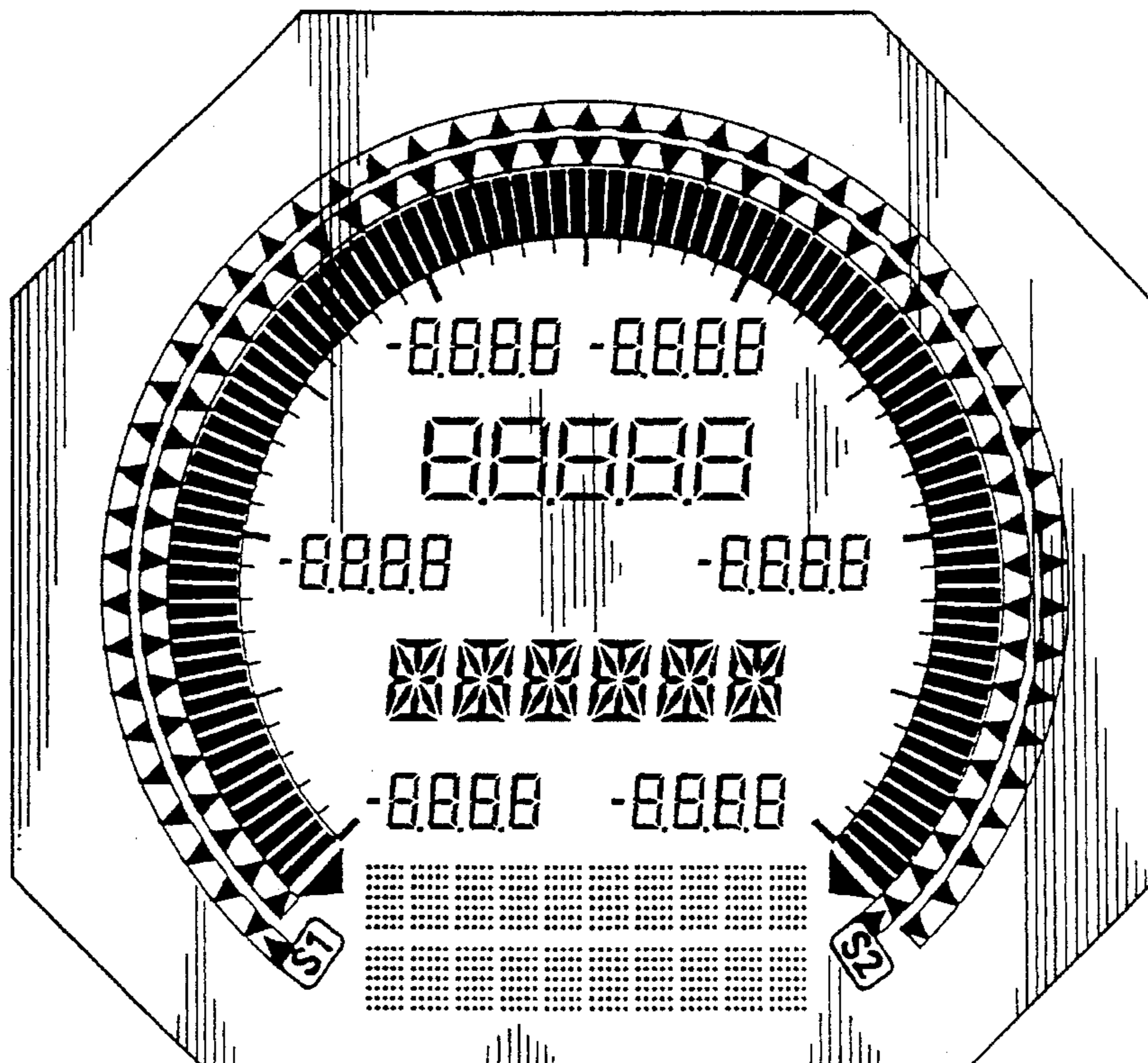
[57] **CLAIM**

The ornamental design for a scale plate for measuring instruments, as shown and described.

DESCRIPTION

FIG. 1 is a front view of a scale plate for measuring instruments showing my new design, shown in a condition of use with the liquid crystal elements visible;
FIG. 2 is a top view;
FIG. 3 is a side view, the opposite side view being a identical;
FIG. 4 is a bottom view;
FIG. 5 is a rear view;
FIG. 6 is a front view, shown in a inactive condition;
FIG. 7 is a front view, shown in a condition of use with the liquid crystal elements visible in actual operation;
FIG. 8 is another front view, shown in a condition of use with the liquid crystal elements visible in actual operation;
FIG. 9 is a front view of a second embodiment of a scale plate for measuring instruments showing my new design, shown in a condition of use with the liquid crystal elements visible; and,
FIG. 10 is a front view of a third embodiment, shown in a inactive condition thereof.

1 Claim, 7 Drawing Sheets



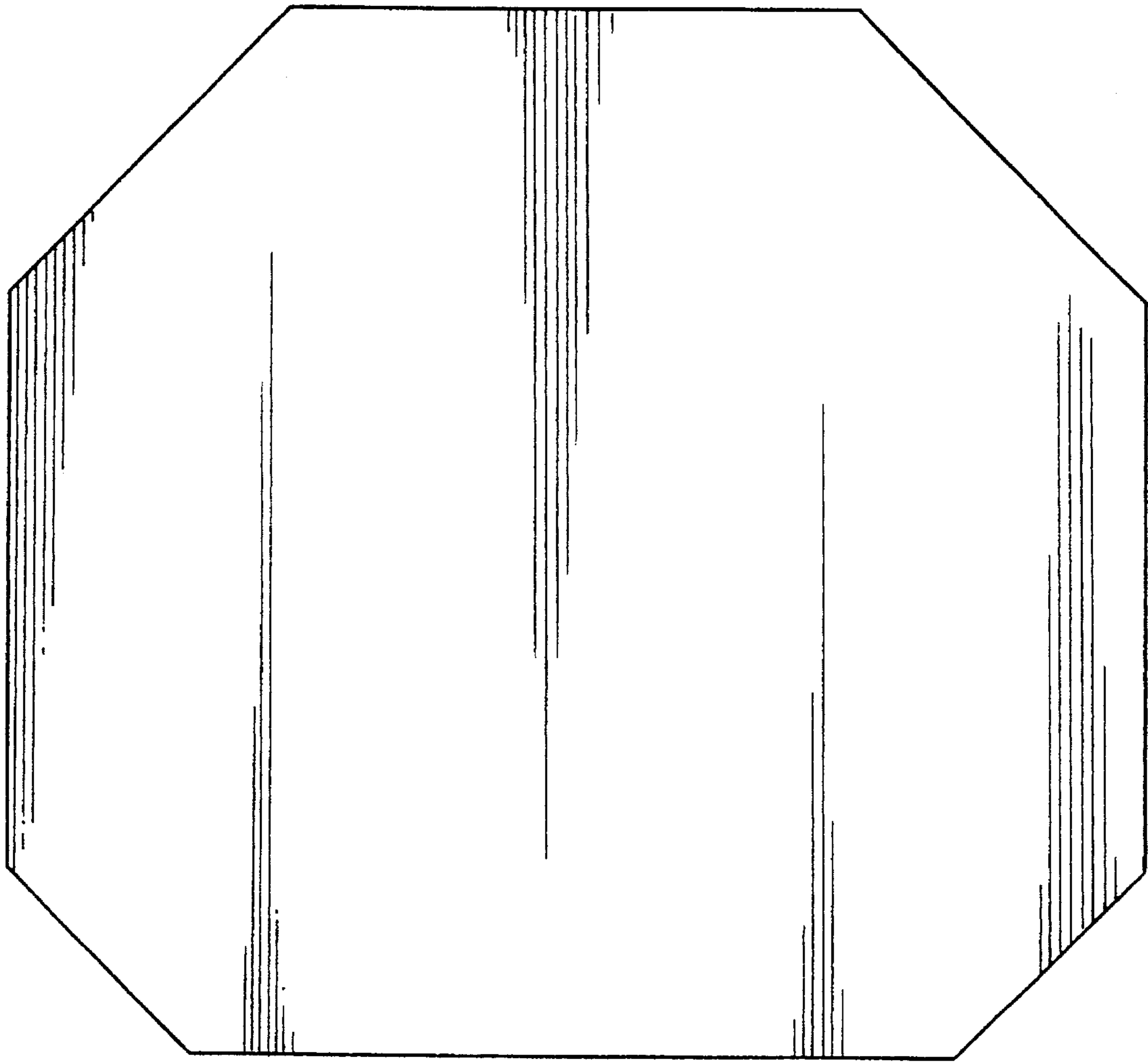


FIG. 5

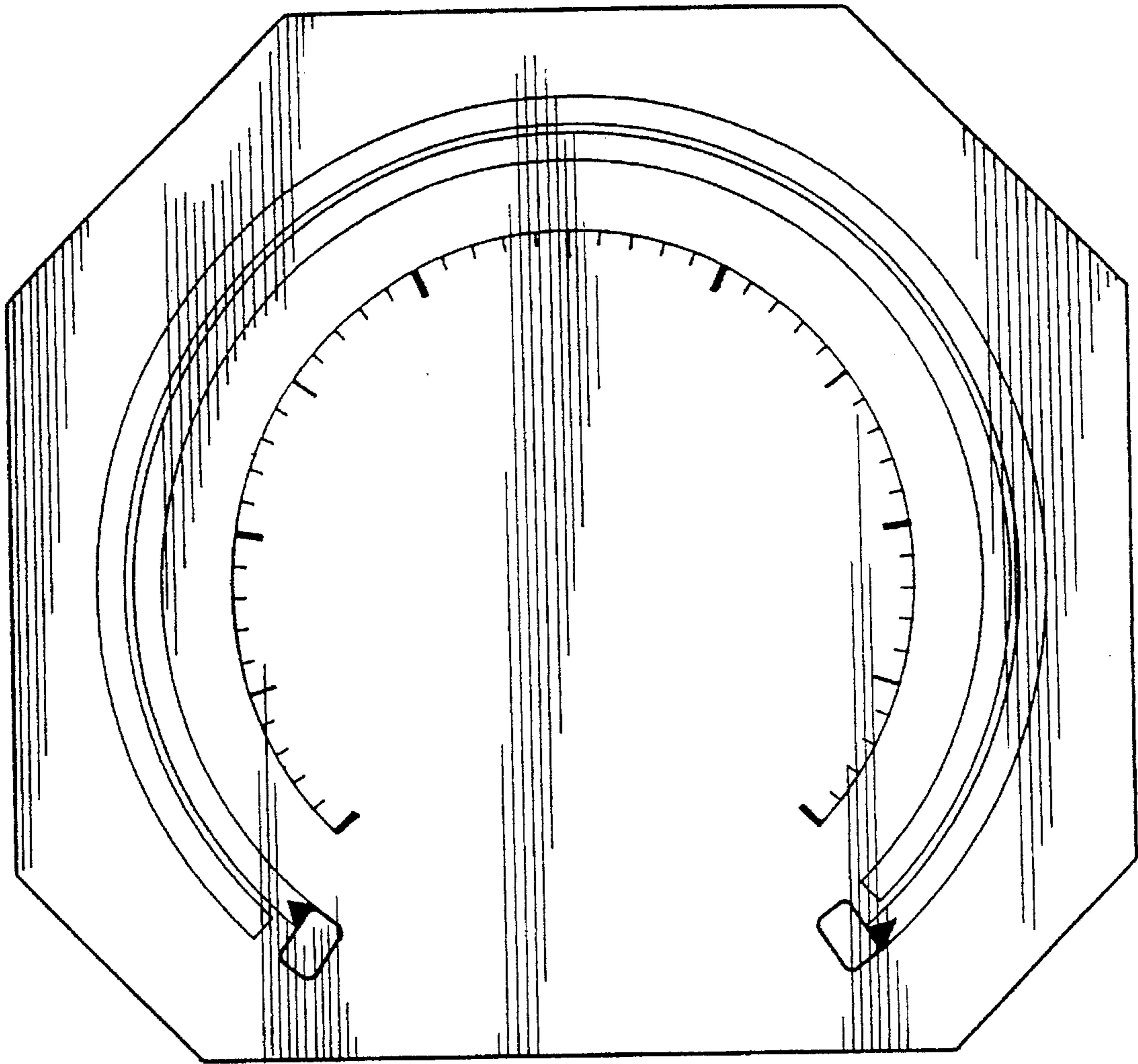


FIG. 6

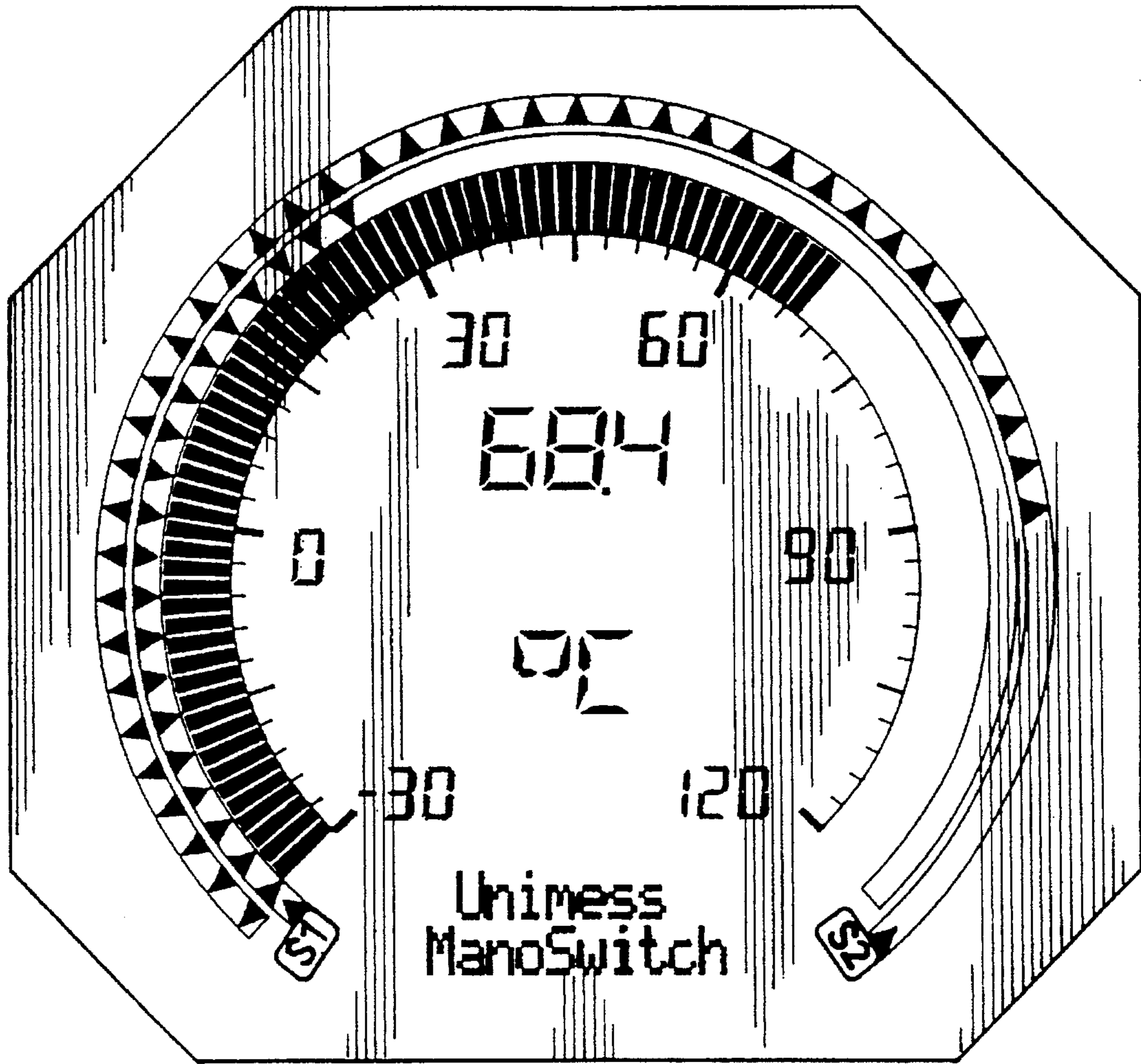


FIG. 7

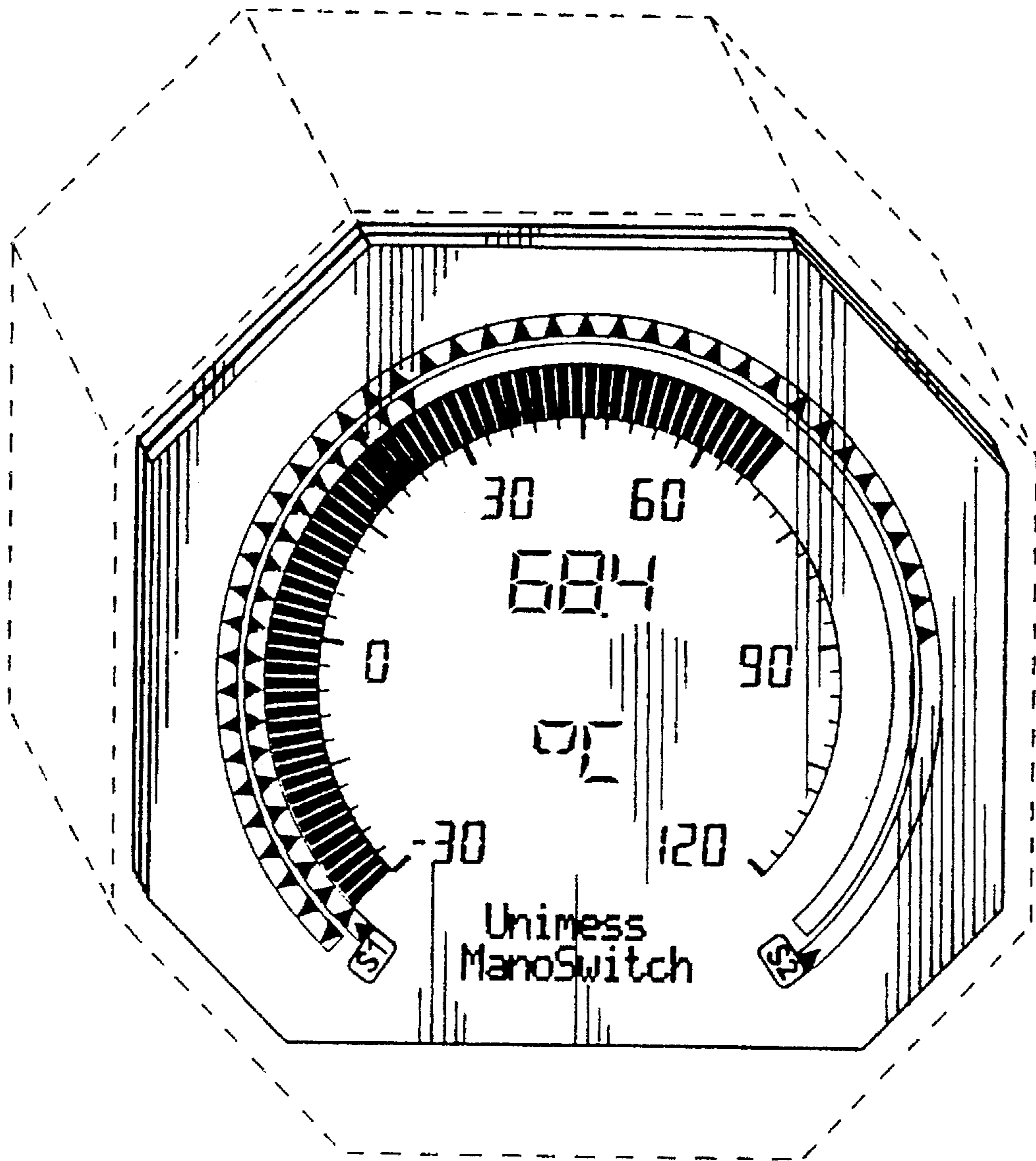


FIG. 8

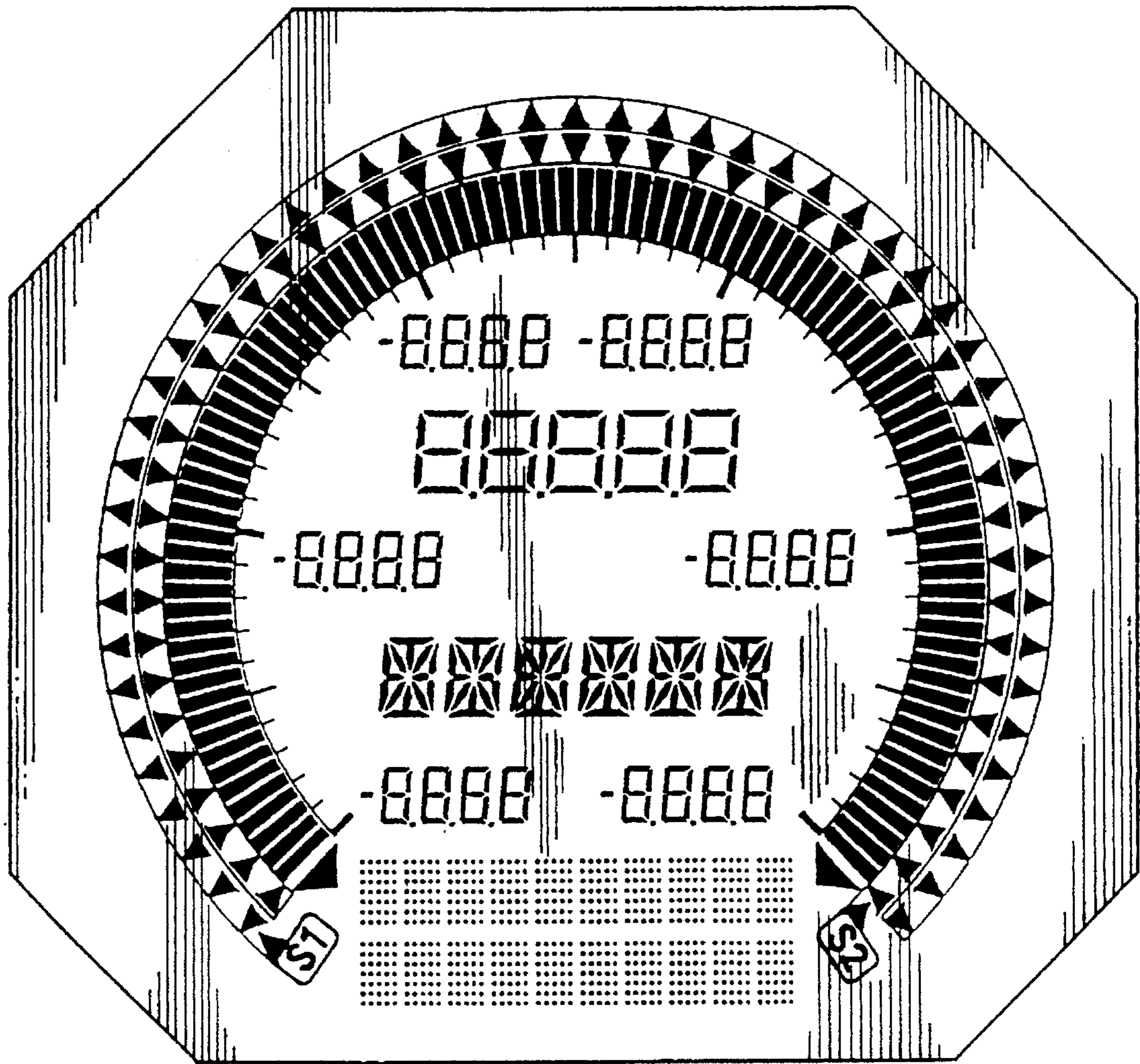


FIG. 9

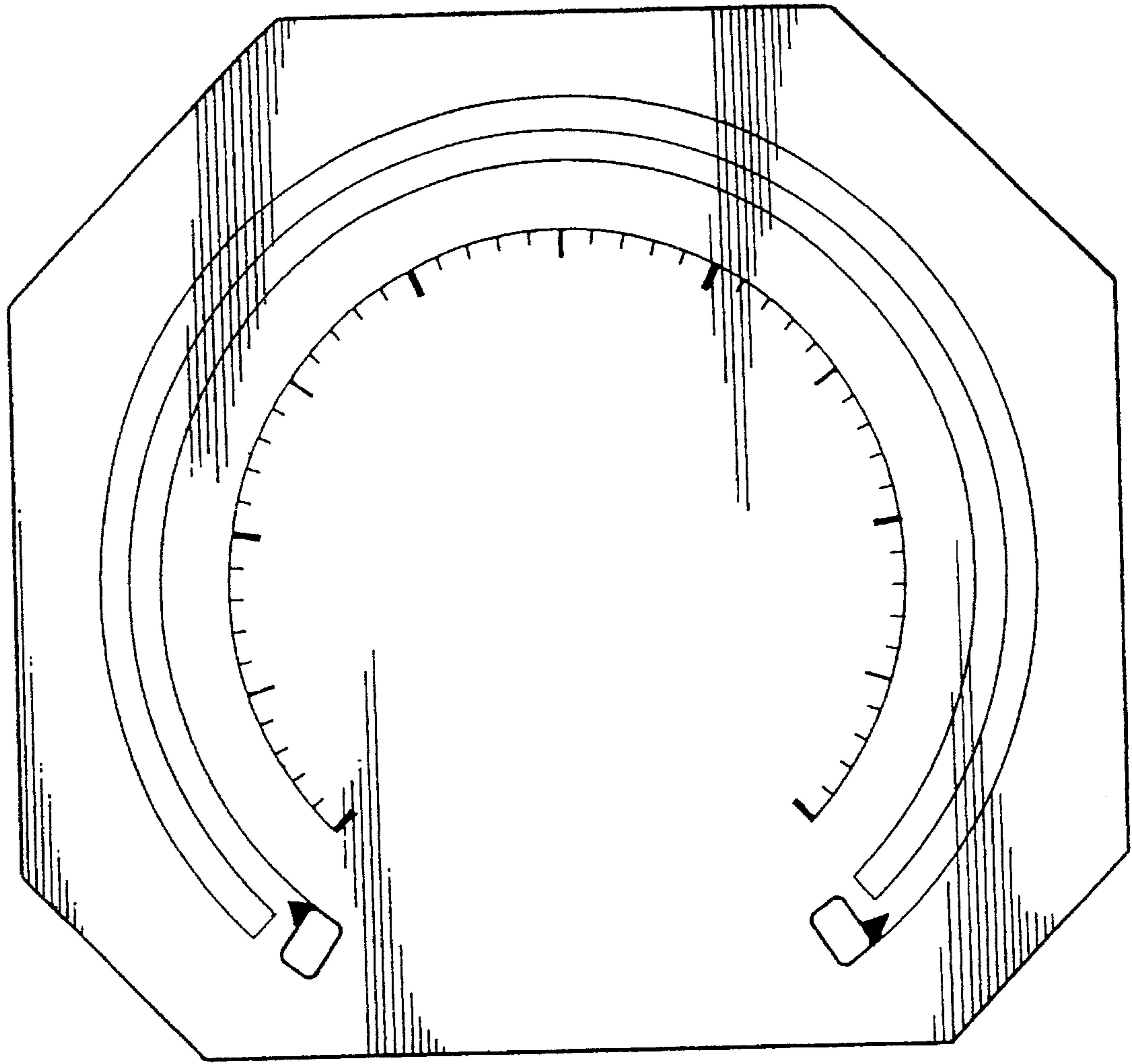


FIG. 10