



US00D373738S

United States Patent [19]

[11] **Patent Number: Des. 373,738**

Nagai et al.

[45] **Date of Patent: **Sep. 17, 1996**

[54] **FRAME FOR PRESSURIZED FLUID-OPERATING DEVICES**

D. 338,164	8/1993	Carmo	D10/94
D. 360,677	7/1995	Ledbetter et al.	D23/235
D. 363,997	11/1995	Nomura	D25/61
5,025,834	6/1991	Stoll	137/884
5,107,897	4/1992	Stoll	137/884

[75] Inventors: **Shigekazu Nagai; Koji Sugano**, both of Ibaraki-ken, Japan

[73] Assignee: **SMC Kabushiki Kaisha**, Tokyo, Japan

Primary Examiner—Doris Clark
Attorney, Agent, or Firm—Oblon, Spivak, McClelland, Maier, & Neustadt, P.C.

[**] Term: **14 Years**

[21] Appl. No.: **37,748**

[57] **CLAIM**

[22] Filed: **Apr. 18, 1995**

The ornamental design for a frame for pressurized fluid-operating devices, as shown.

[30] **Foreign Application Priority Data**

DESCRIPTION

Oct. 19, 1994 [JP] Japan 6-31725

[52] **U.S. Cl.** **D10/94; D10/85; D25/124**

[58] **Field of Search** D23/233, 235, D23/249; D25/119, 120, 60, 61; 52/2.11, 2.16, 2.18; 137/861, 884, 560, 271; 417/174; D10/94, 85, 96

FIG. 1 is a top plan view of a frame for pressurized fluid-operating devices, showing our new design;

FIG. 2 is a front view thereof;

FIG. 3 is a right side view thereof; and,

FIG. 4 is a perspective view thereof.

[56] **References Cited**

U.S. PATENT DOCUMENTS

D. 336,345 6/1993 Fasth et al. D25/126

1 Claim, 2 Drawing Sheets

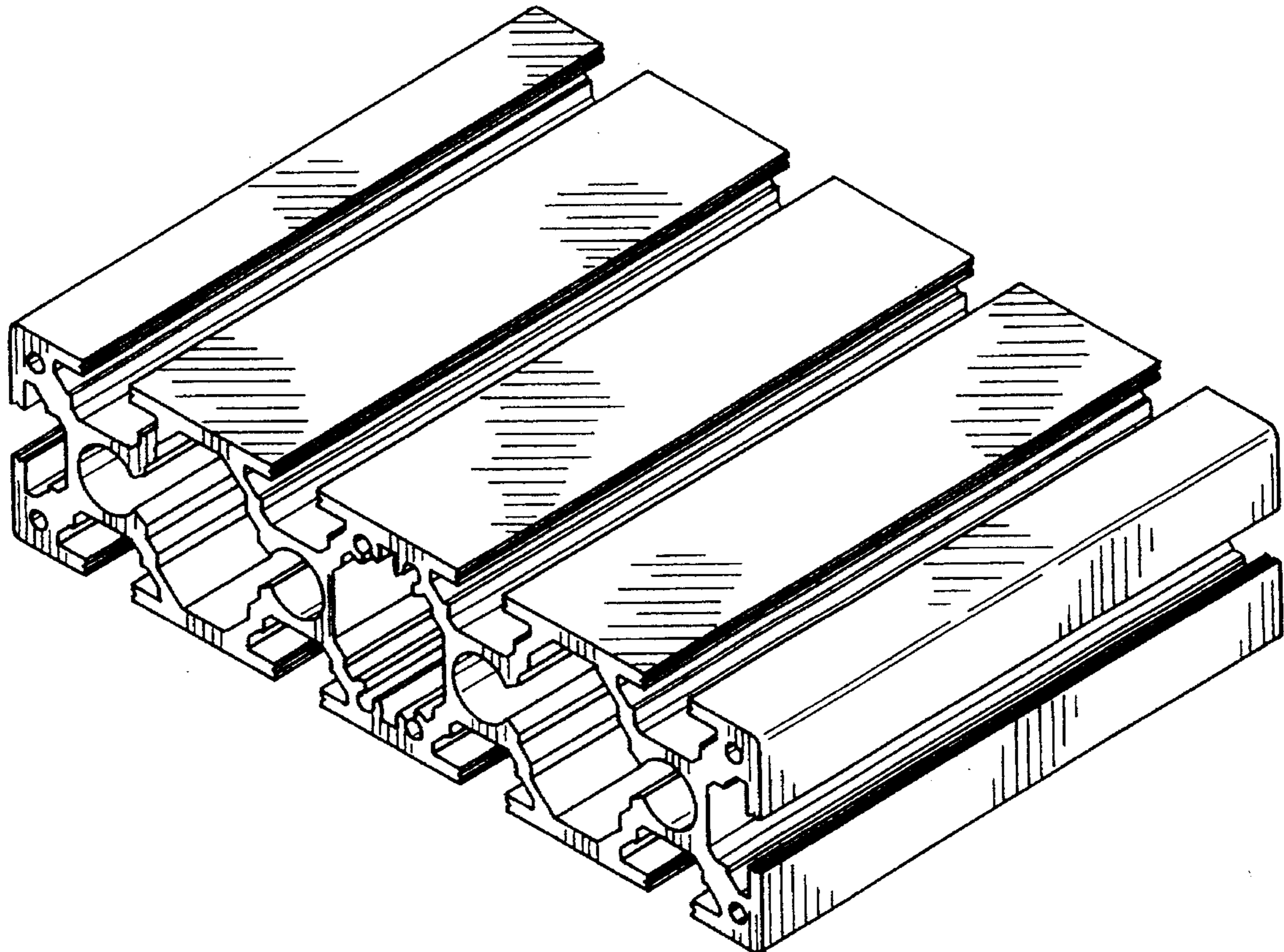


FIG.1

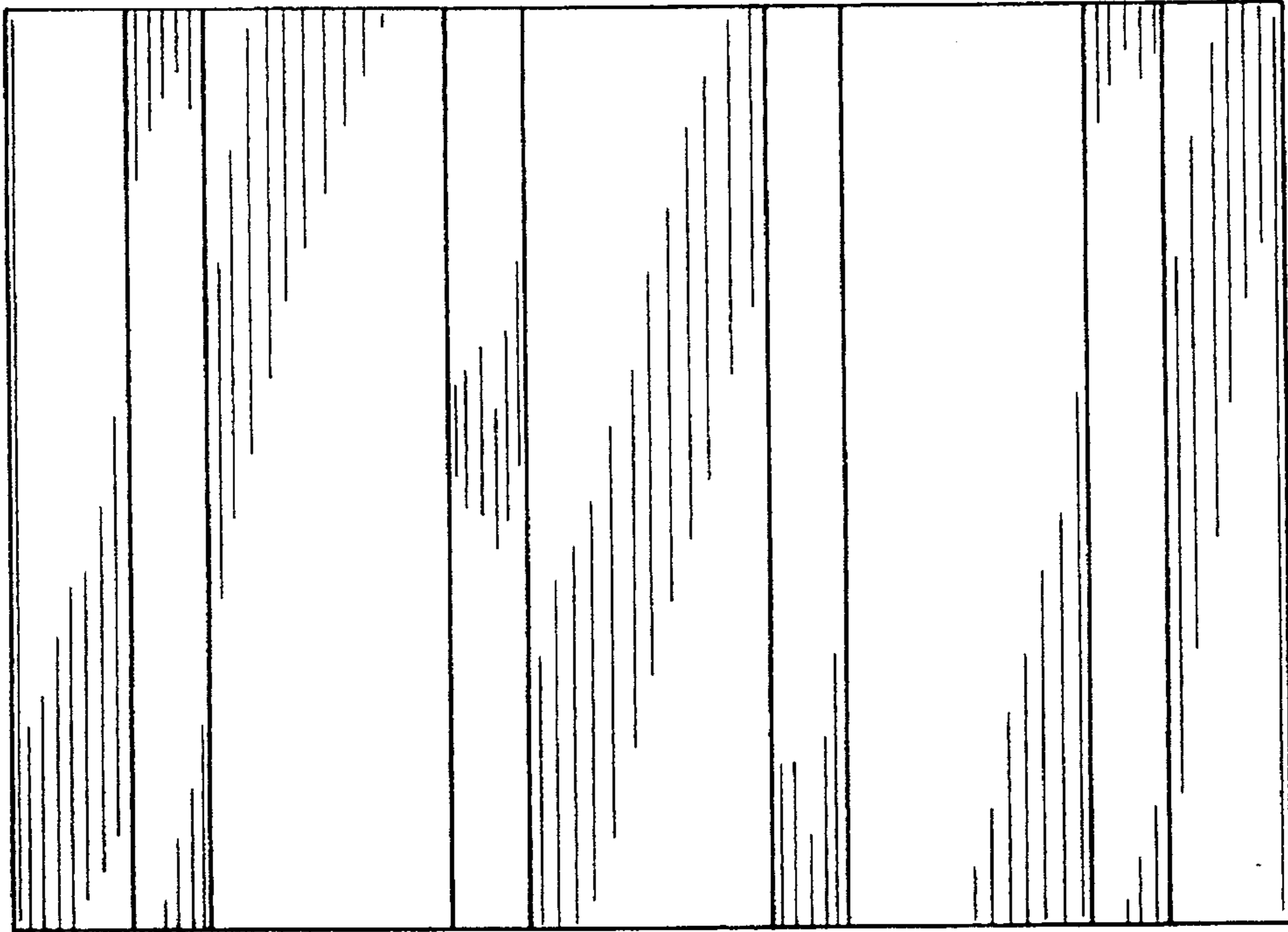


FIG.2

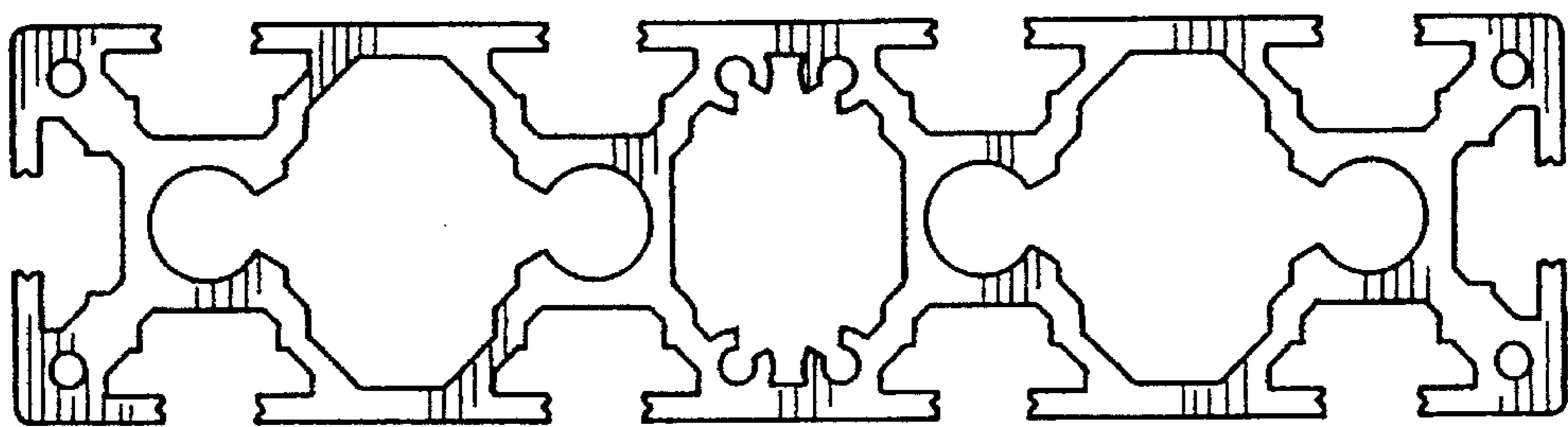


FIG.3

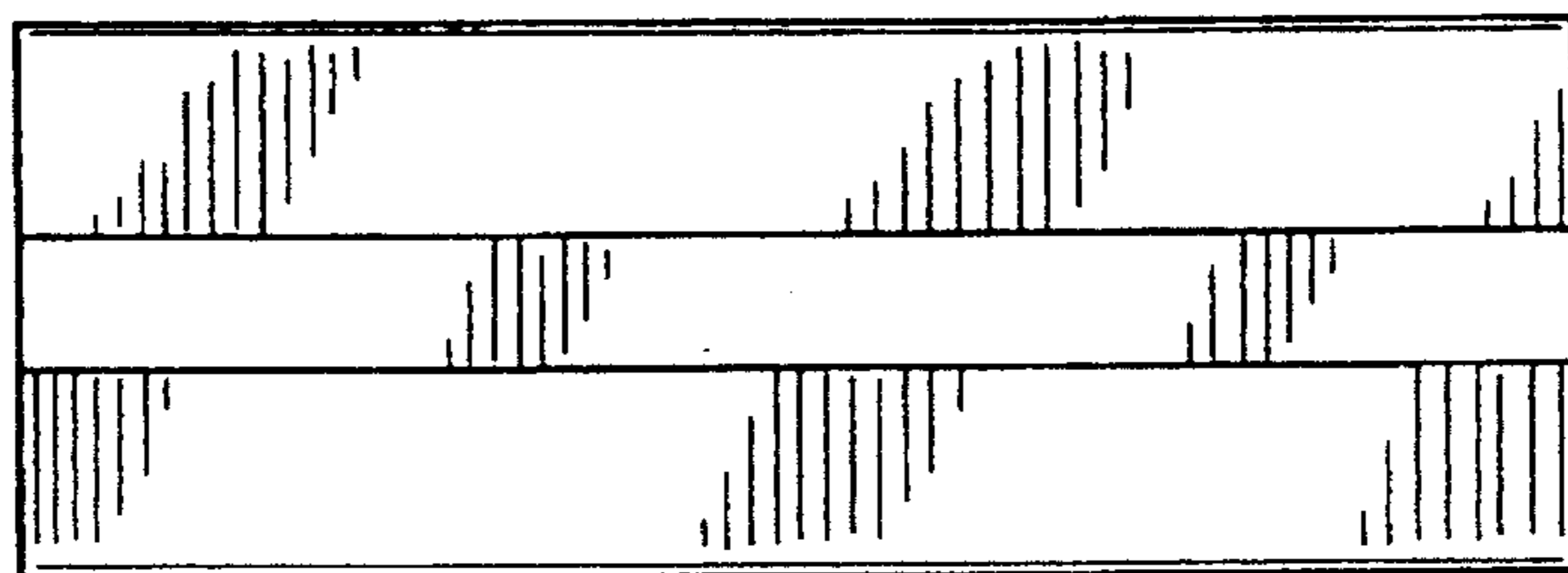


FIG. 4

