



US00D373734S

United States Patent [19]
Doak

[11] **Patent Number: Des. 373,734**
[45] **Date of Patent: **Sep. 17, 1996**

[54] **TAPE MEASURE SCORING ATTACHMENT**

Attorney, Agent, or Firm—Suiter & Associates PC

[76] Inventor: **Sidney W. Doak**, P.O. Box 761,
McCook, Red Willow County, Nebr.
69001

[57] **CLAIM**

The ornamental design for a tape measure scoring attachment, as shown and described.

[**] Term: **14 Years**

DESCRIPTION

[21] Appl. No.: **42,531**

FIG. 1 is a perspective view of a tape measure scoring attachment showing my new design in full lines with the broken line showing of environmental association matter being for illustrative purposes only and forming no part of the claimed design;

[22] Filed: **Aug. 11, 1995**

[52] U.S. Cl. **D10/74**

[58] Field of Search D10/74; 33/768,
33/769, 770

FIG. 2 is a top plan view thereof;

FIG. 3 is a front elevational view thereof;

FIG. 4 is a left side elevational view thereof;

FIG. 5 is a bottom plan view thereof;

FIG. 6 is a right side elevational view thereof; and,

FIG. 7 is a back elevational view thereof.

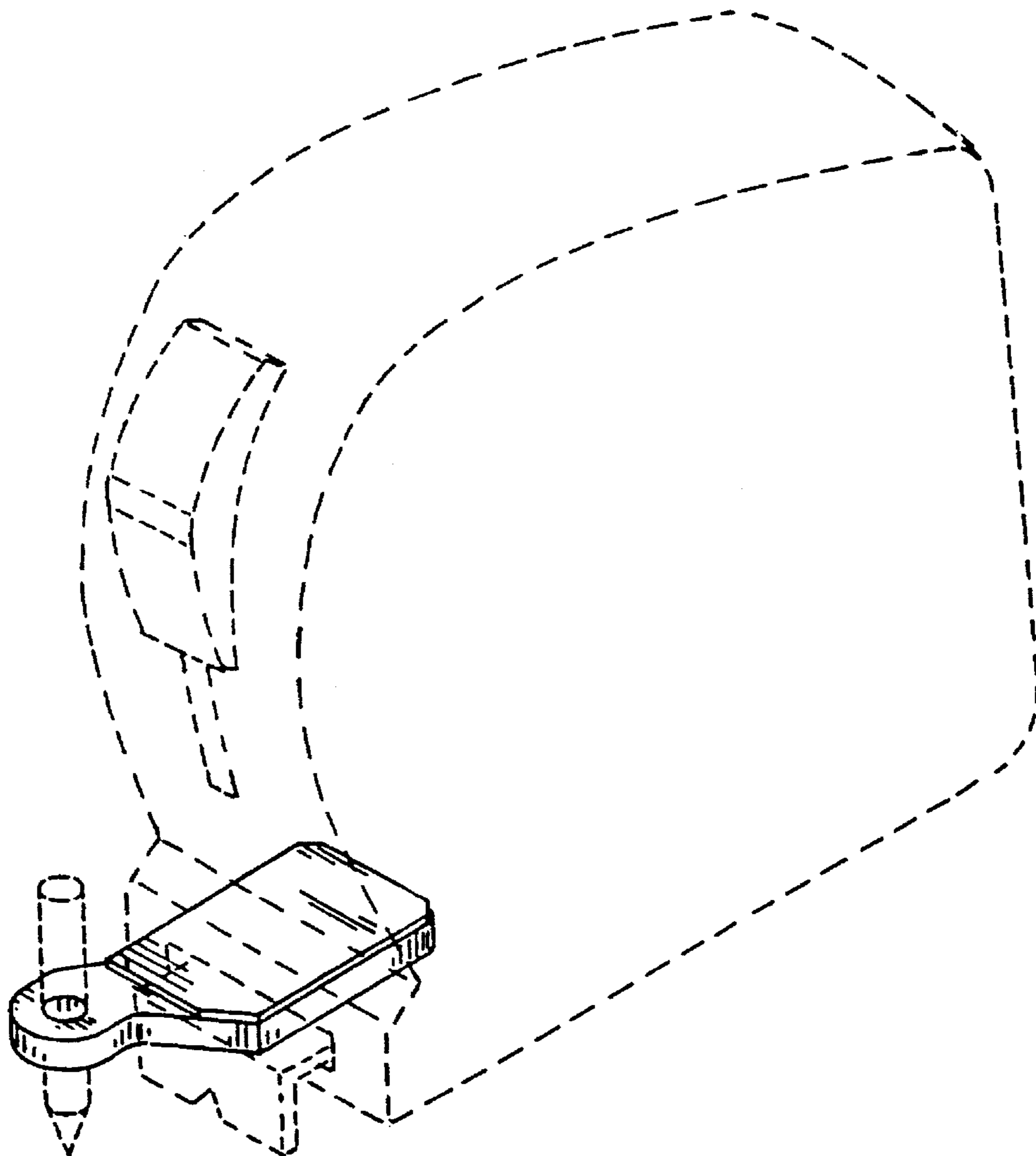
[56] **References Cited**

U.S. PATENT DOCUMENTS

D. 336,443	6/1993	Dickey	D10/74
4,890,393	1/1990	St. Jean	33/768
5,477,619	12/1995	Kearns	33/768 X

Primary Examiner—Antoine Duval Davis

1 Claim, 1 Drawing Sheet



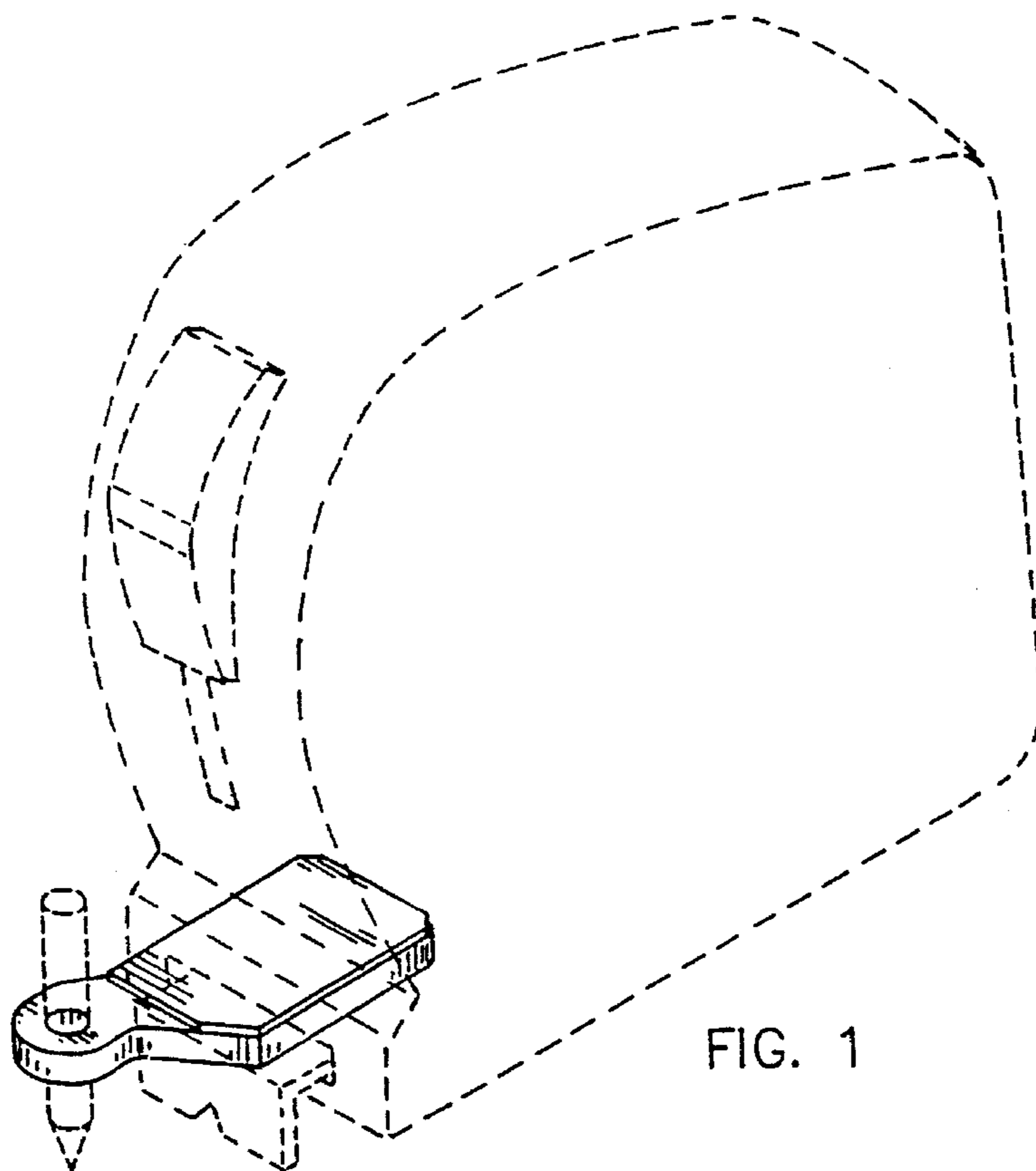


FIG. 1

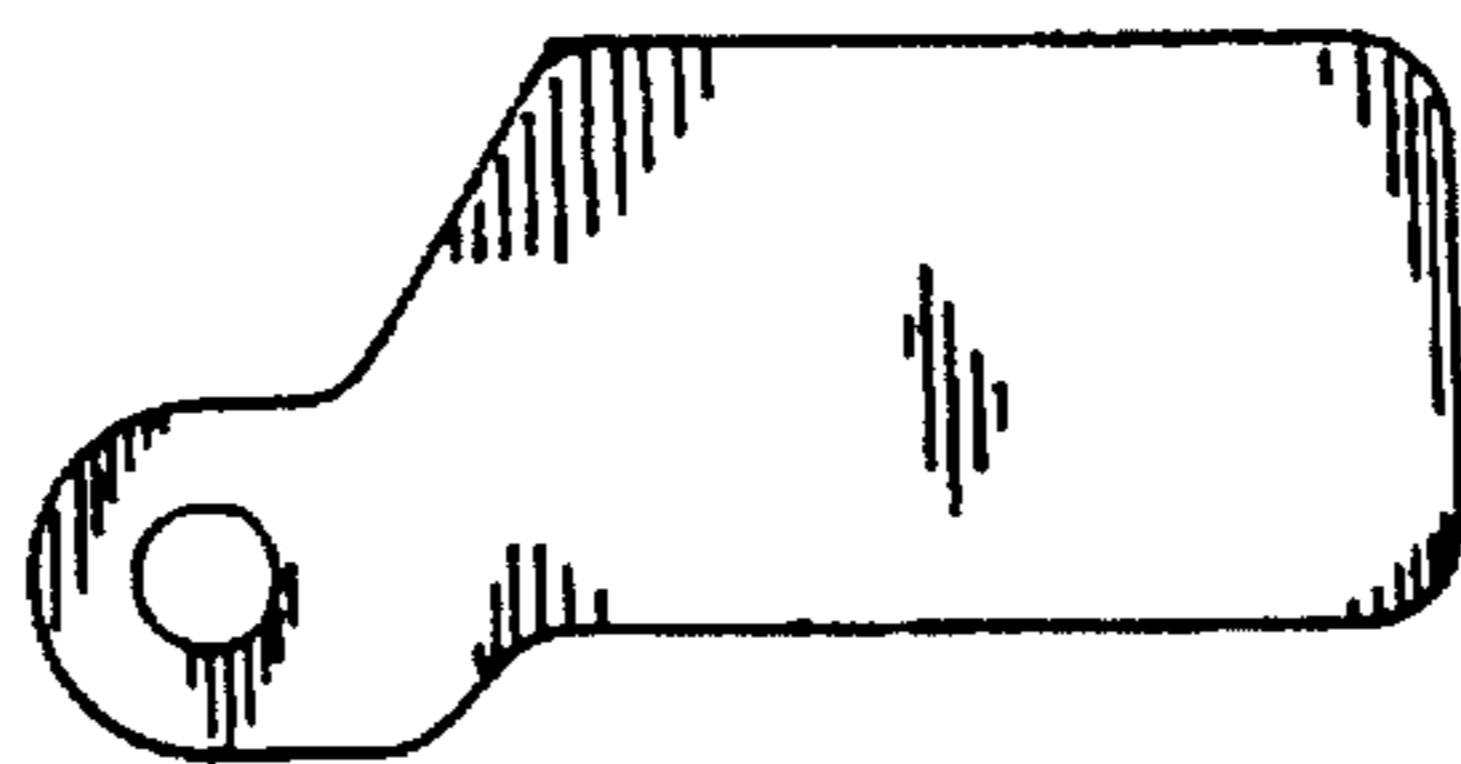


FIG. 2



FIG. 3



FIG. 4

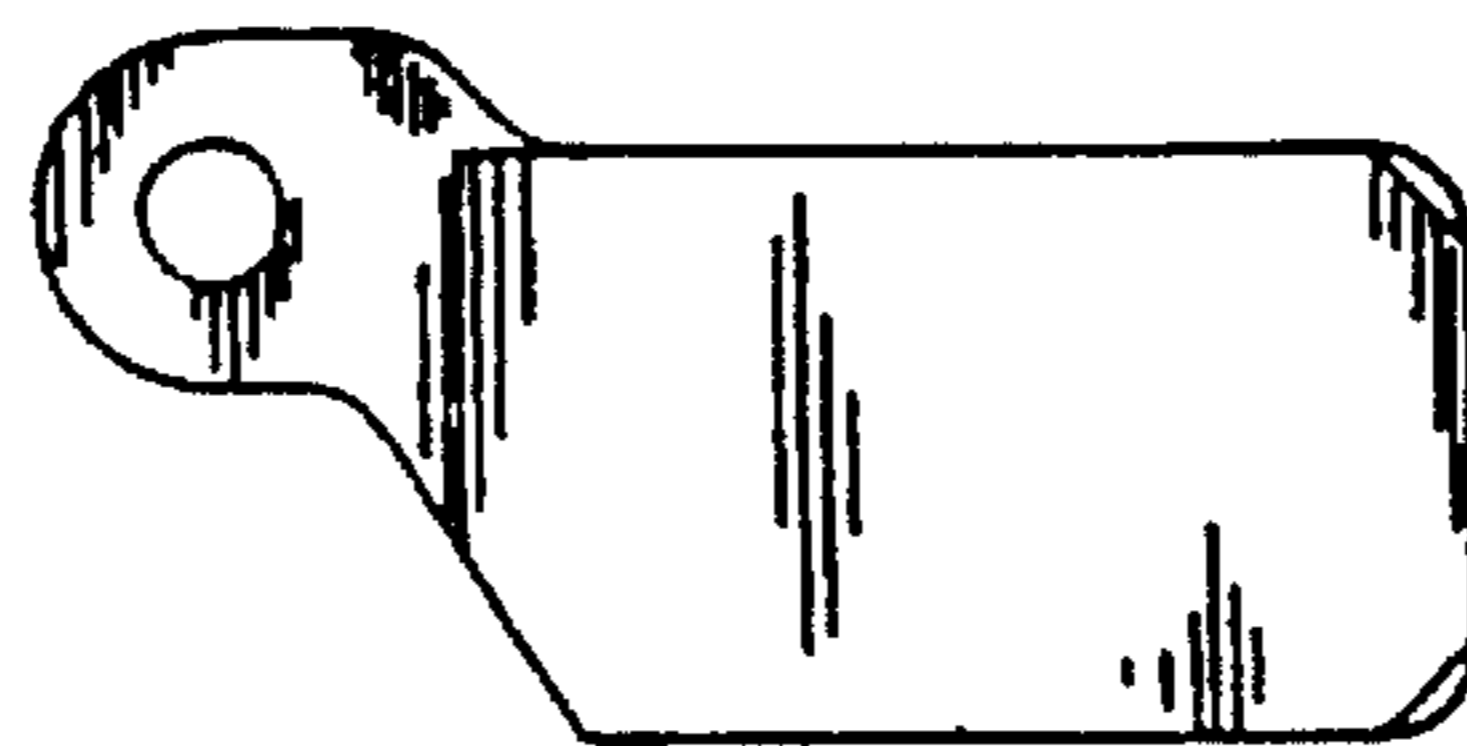


FIG. 5



FIG. 6



FIG. 7