



US00D373726S

United States Patent [19] Power

[11] Patent Number: **Des. 373,726**

[45] Date of Patent: ****Sep. 17, 1996**

[54] CONTAINER

4,705,172 11/1987 Gage 220/380 X

[75] Inventor: **Ray M. Power**, Deeside, Great Britain

FOREIGN PATENT DOCUMENTS

[73] Assignee: **Sanoda Ltd.**, Clwyd, United Kingdom

100467 9/1965 United Kingdom 220/4.25

[**] Term: **14 Years**

OTHER PUBLICATIONS

[21] Appl. No.: **34,579**

Modern Packaging, Nov. 1958, p. 348.

[22] Filed: **Feb. 8, 1995**

Packaging, 1959, p. 172, Item #532.

[30] Foreign Application Priority Data

Primary Examiner—Prabhakar G. Deshmukh

Attorney, Agent, or Firm—Longacre & White

Aug. 23, 1994 [GB] United Kingdom 2041217

[52] U.S. Cl. **D9/429**

[58] Field of Search D9/428, 429, 431,
D9/424, 425, 414, 337, 339, 341; 206/45.31,
45.34, 44 R, 530, 531, 538, 539, 533, 828;
220/4.25, 4.24, 306, 307, 315

[57] CLAIM

The ornamental design for a container, as shown and described.

[56] References Cited

U.S. PATENT DOCUMENTS

D. 155,559 10/1949 Tillmann D9/429
D. 258,575 3/1981 Stettler D9/420
D. 281,758 12/1985 Trombly D7/629 X
D. 348,219 6/1994 Goldberg D9/341
D. 358,091 5/1995 Warburton D9/425 X
2,627,991 2/1953 Maersch 220/4.25

DESCRIPTION

FIG. 1 is a front perspective view of a container showing my new design; shown in an open position;

FIG. 2 is a front perspective view thereof; in a closed position;

FIG. 3 is a top plan view of FIG. 1;

FIG. 4 is a side elevational view of FIG. 1;

FIG. 5 is a side elevational view of FIG. 2; and,

FIG. 6 is a bottom plan view of FIG. 1.

1 Claim, 3 Drawing Sheets

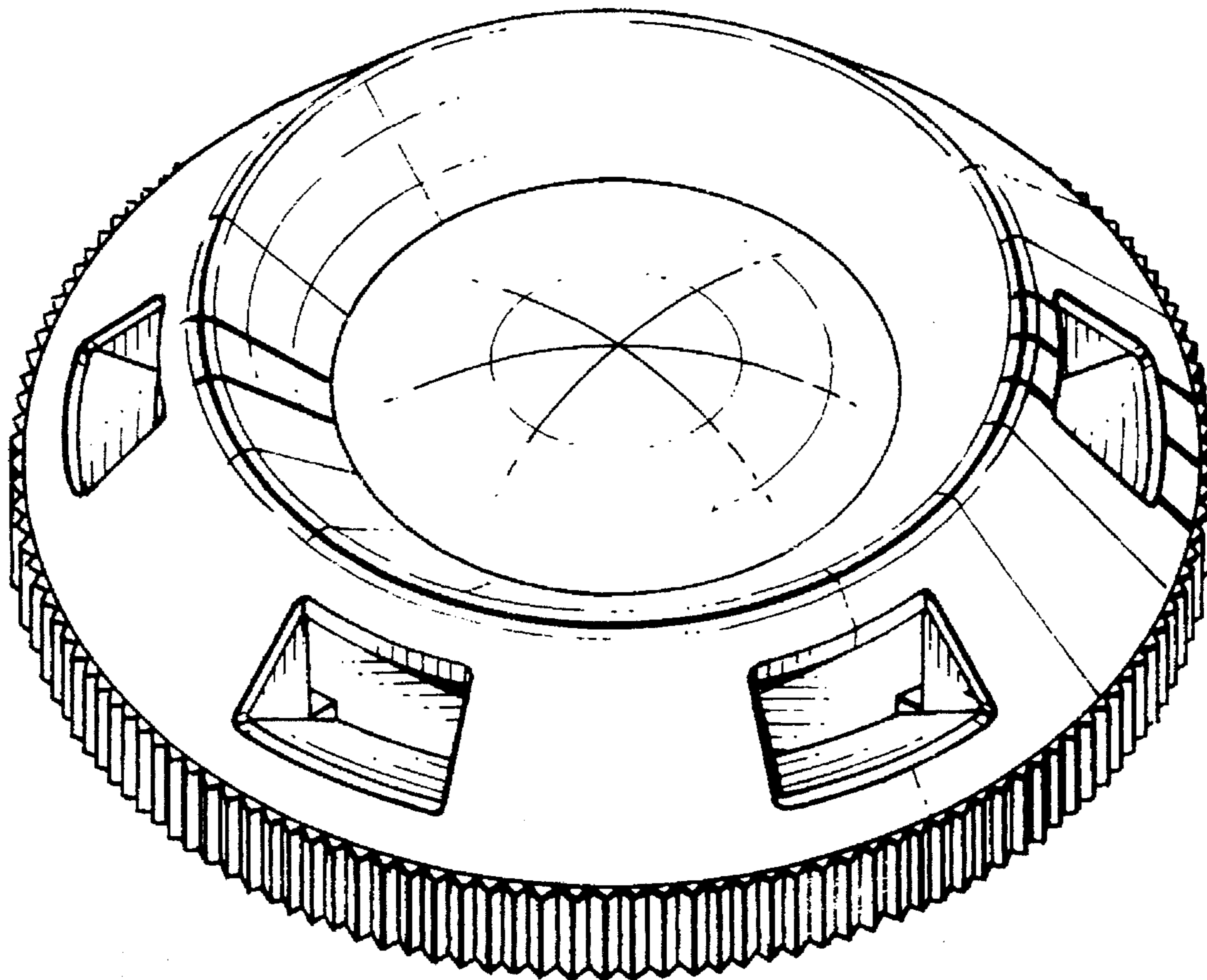


Fig.1.

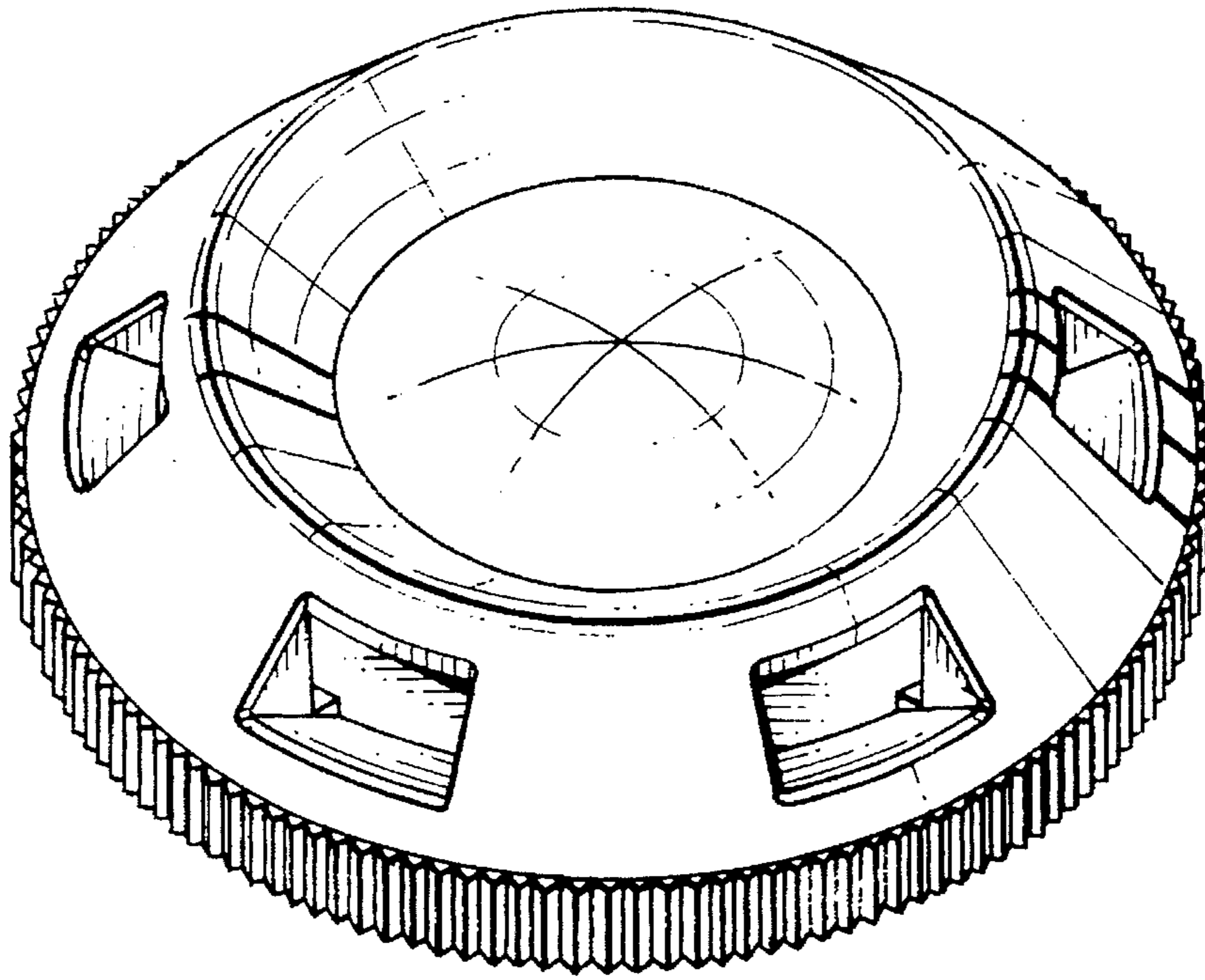


Fig.2.

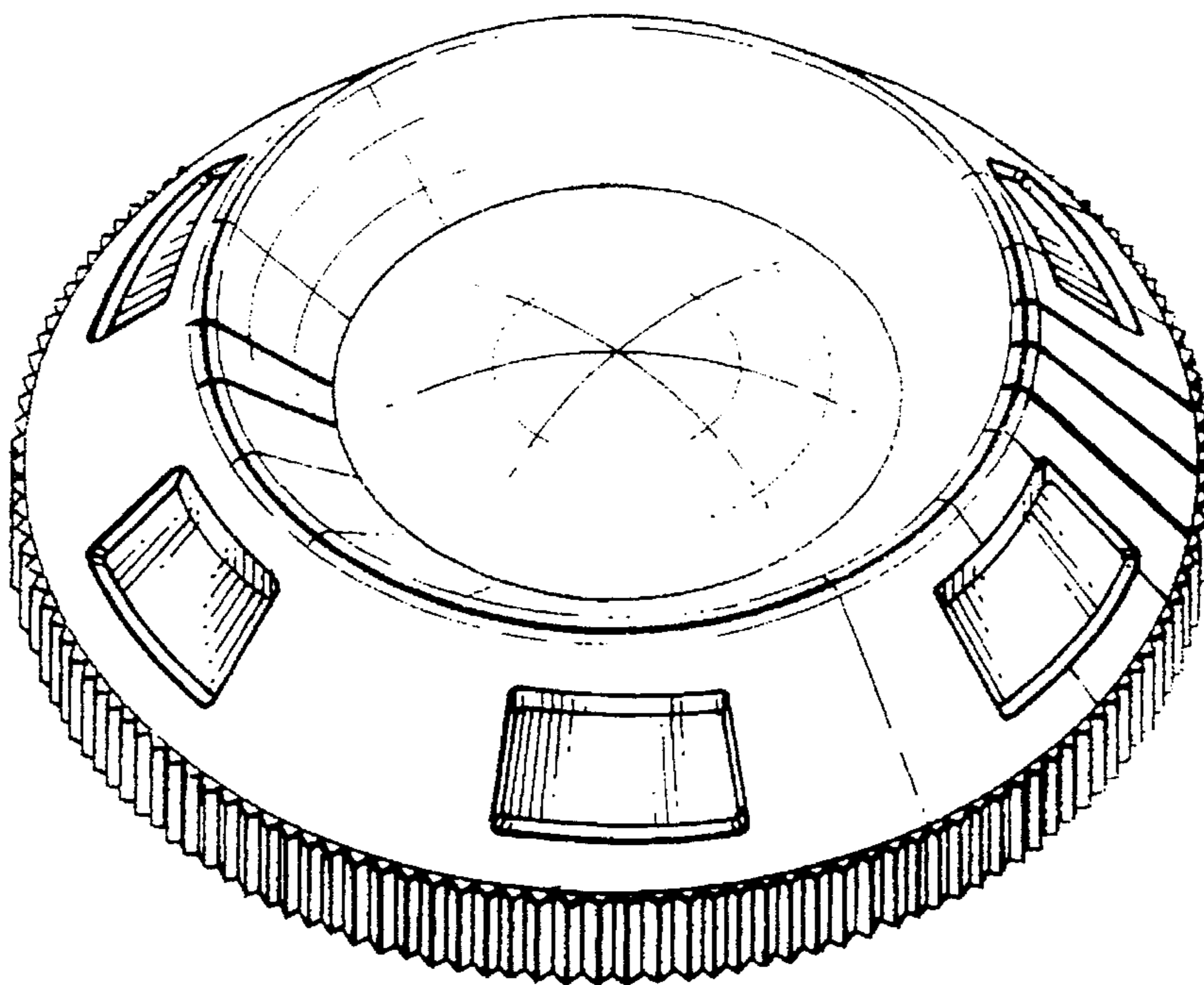


Fig.3.

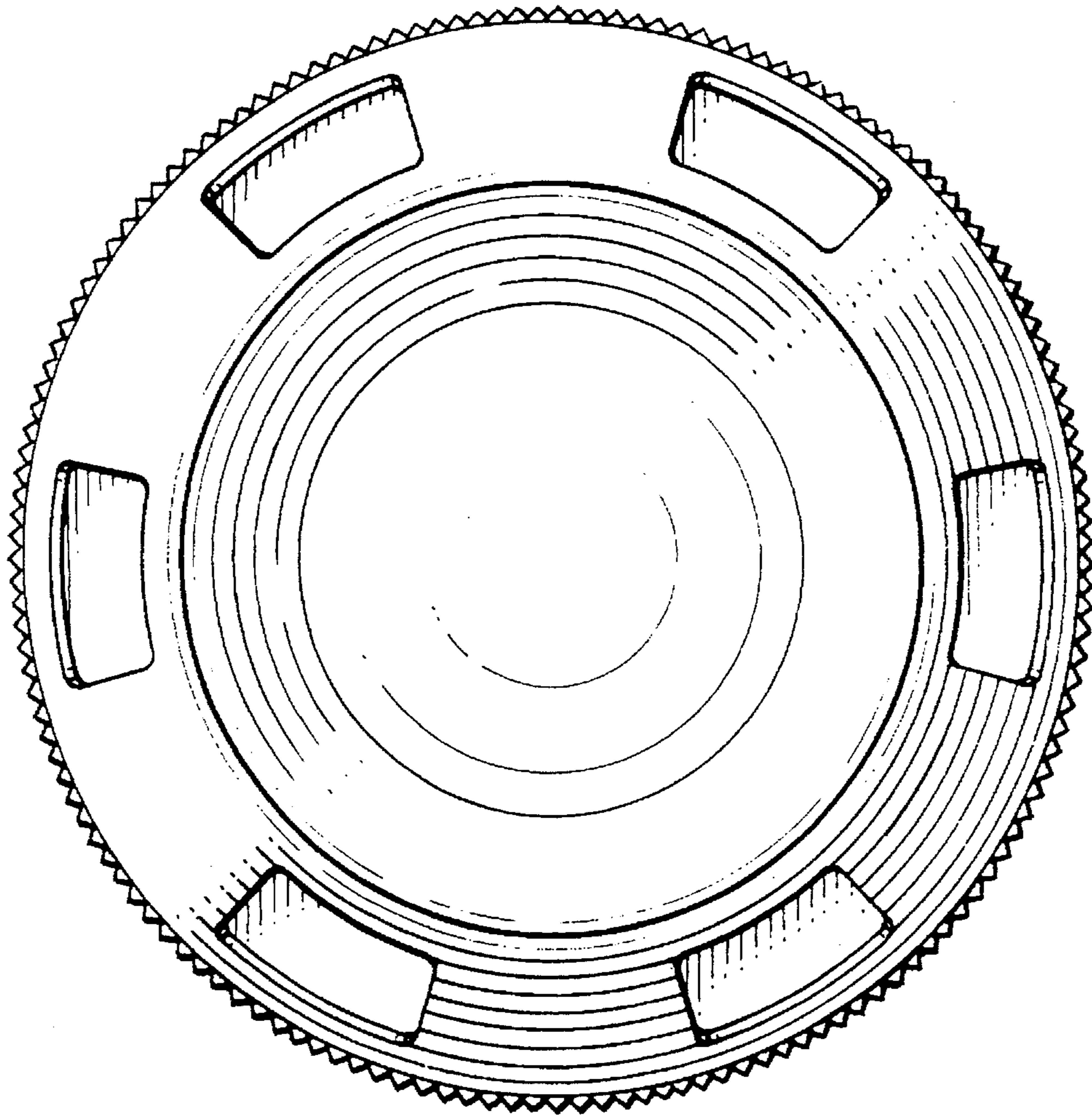


Fig.4.

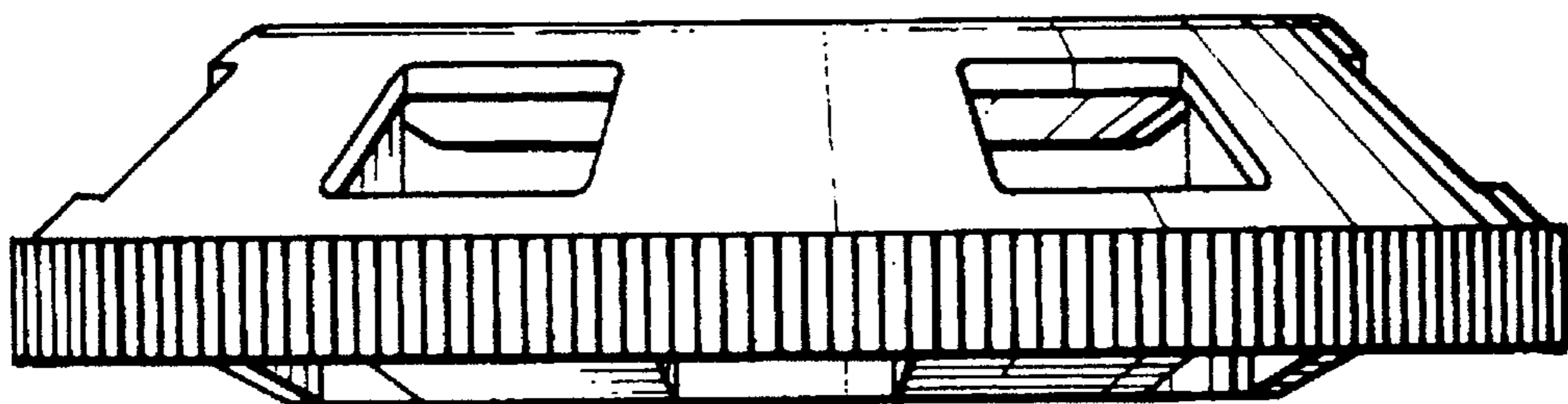


Fig.5.

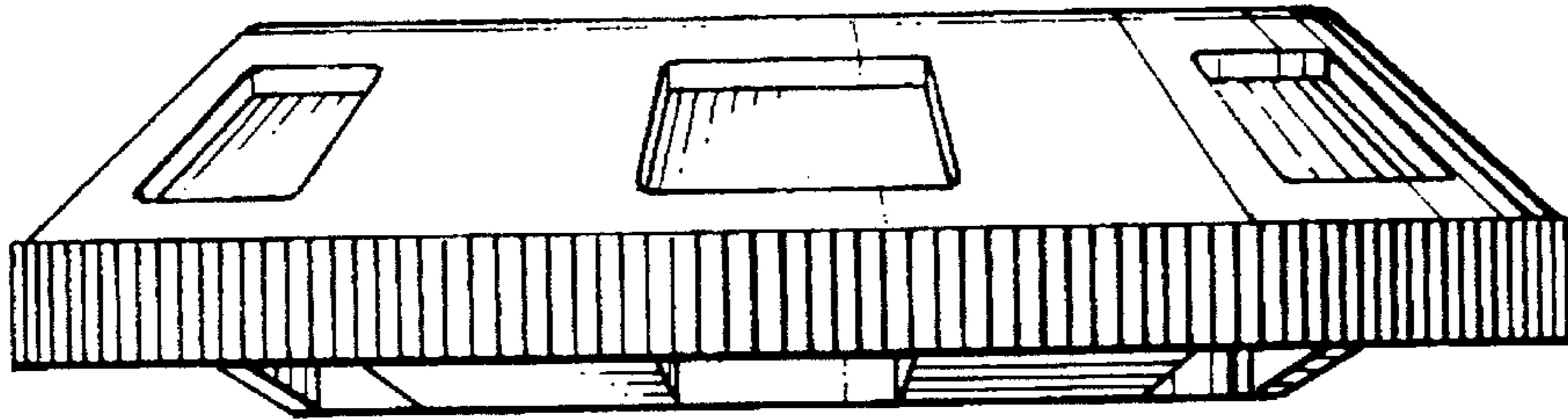


Fig.6.

