



US00D373721S

United States Patent [19]

[11] Patent Number: **Des. 373,721**

Panow

[45] Date of Patent: ****Sep. 17, 1996**

[54] TABLE LEG PROTECTOR

[76] Inventor: **Nick Panow**, RR 6 1530 Concession #1, Niagara On The Lake, Ontario, Canada, L0S 1J0

[**] Term: **14 Years**

[21] Appl. No.: **30,688**

[22] Filed: **Nov. 4, 1994**

[52] U.S. Cl. **D8/402**; D6/491; D8/374

[58] Field of Search D6/491, 495, 500, D6/610; D8/400, 402, 403, 499, 374; 16/42 R, 1 R, 43, DIG. 2, 108; 248/345.1, 188.8, 188.9, 188, 346, 346.1, 314; D25/68, 133, 135; 182/108-111; 403/361

[56] References Cited

U.S. PATENT DOCUMENTS

D. 44,952	12/1913	Buser	D8/374
D. 45,196	2/1914	Lawson	D8/374
D. 153,900	5/1949	Regan	D25/68
755,713	3/1904	Shanahan	248/188.9 X
2,103,095	12/1937	Schermerhorn	248/188.9
2,533,391	12/1950	Miller	182/108 X

FOREIGN PATENT DOCUMENTS

31522	9/1961	Finland	248/188.8
-------	--------	---------	-------	-----------

OTHER PUBLICATIONS

Hammacher Schlemmer & Co. Hardware Tools & Supplies; p. 845: brass leg socket on upper left. Darcor Casters, Catalogue 100-85 A; F6 Leg Socket, second from left at bottom.

Primary Examiner—Prabhakar G. Deshmukh

Assistant Examiner—C. Tuttle

Attorney, Agent, or Firm—Harold H. Dutton, Jr.; W. Charles L. Jamison; Diane F. Liebman

[57] CLAIM

The ornamental design for a table leg protector, as shown and described.

DESCRIPTION

FIG. 1 is a perspective view of a table leg protector showing my new design;

FIG. 2 is a left side view thereof;

FIG. 3 is a right side view thereof;

FIG. 4 is a top plan view thereof;

FIG. 5 is a bottom plan view thereof;

FIG. 6 is a front view thereof; and,

FIG. 7 is a rear view thereof.

The broken line showing of the table leg and nail is for illustrative purposes only and forms no part of the claimed design.

1 Claim, 4 Drawing Sheets

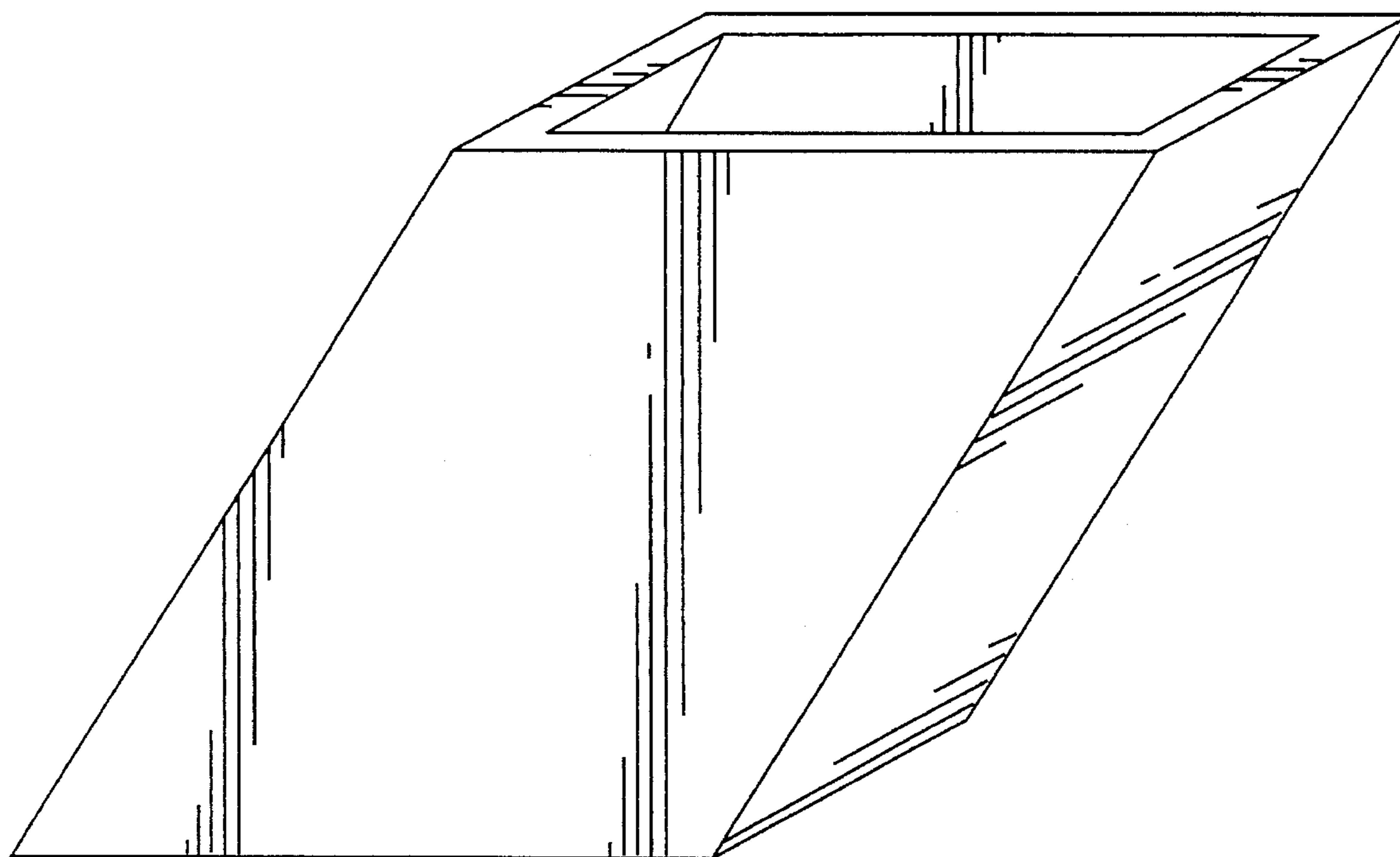
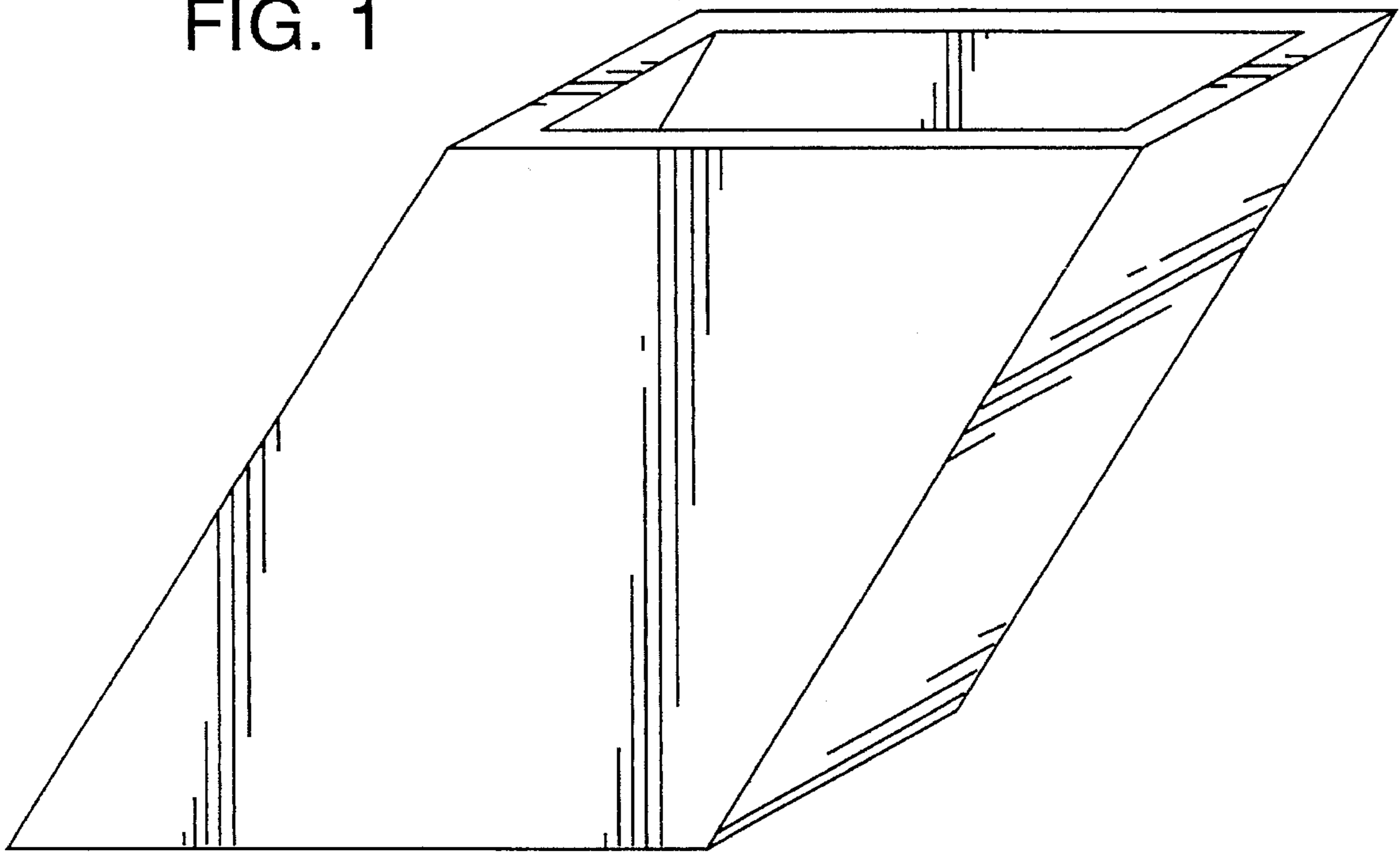


FIG. 1



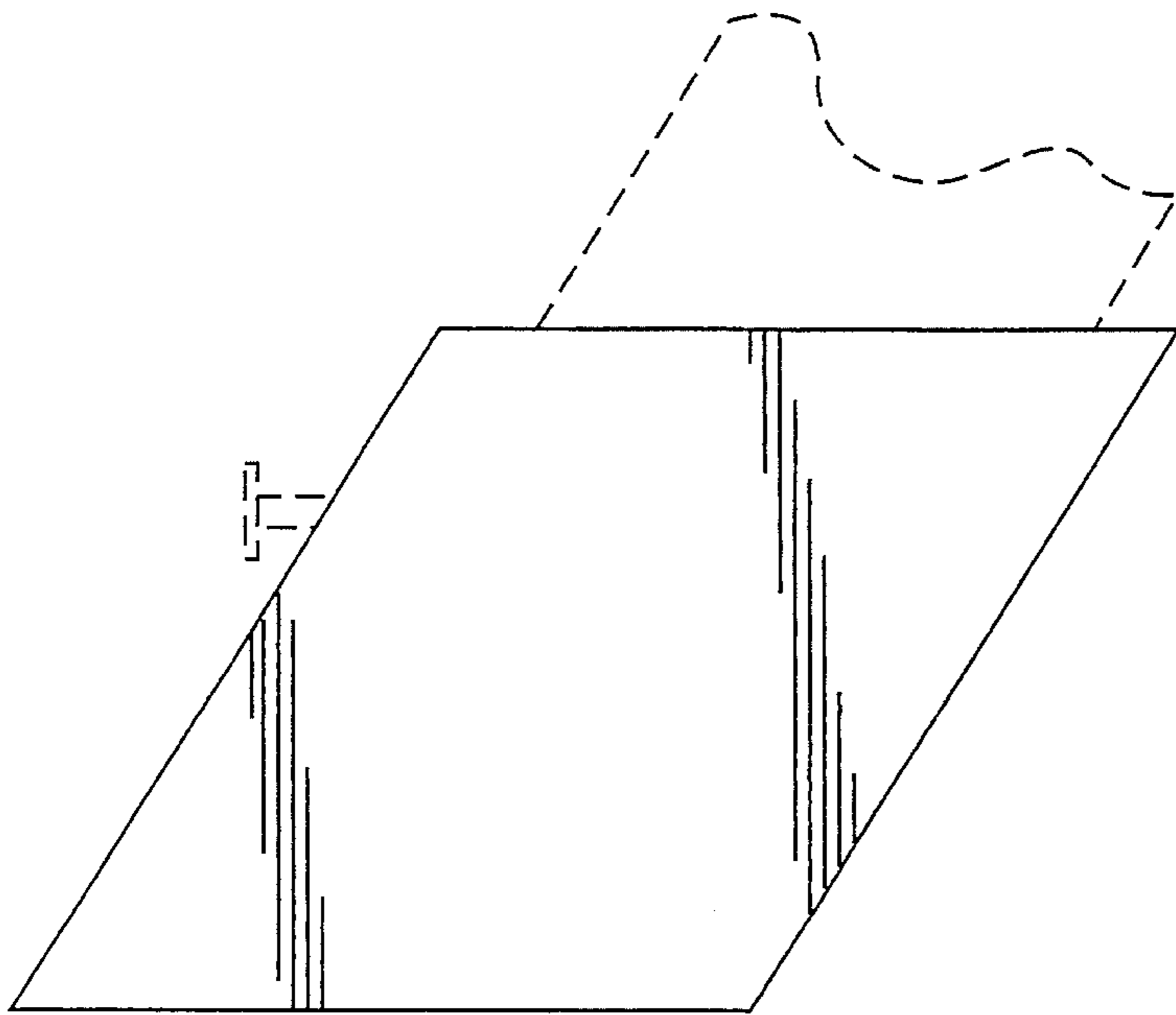


FIG. 2

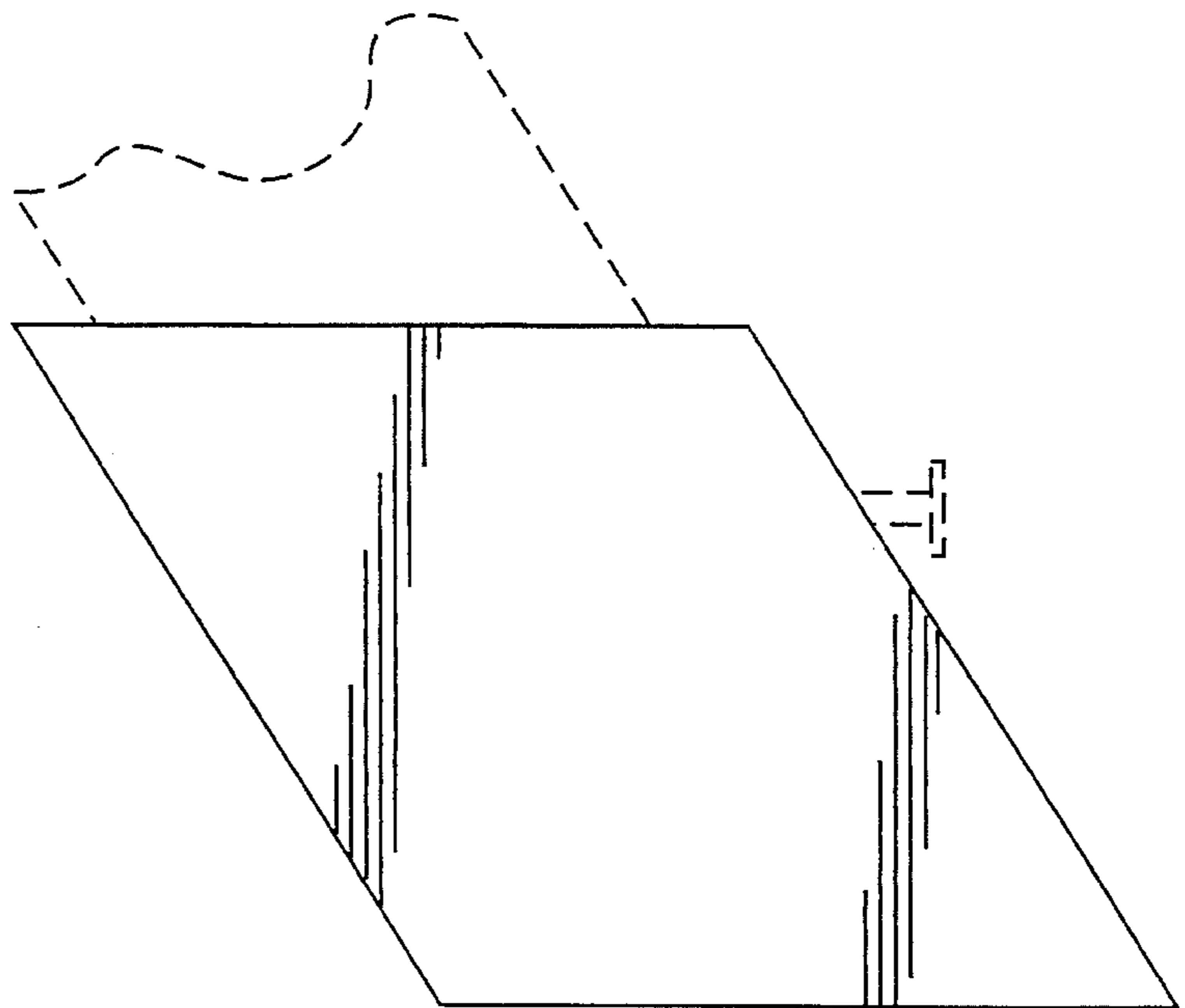


FIG. 3

FIG. 4

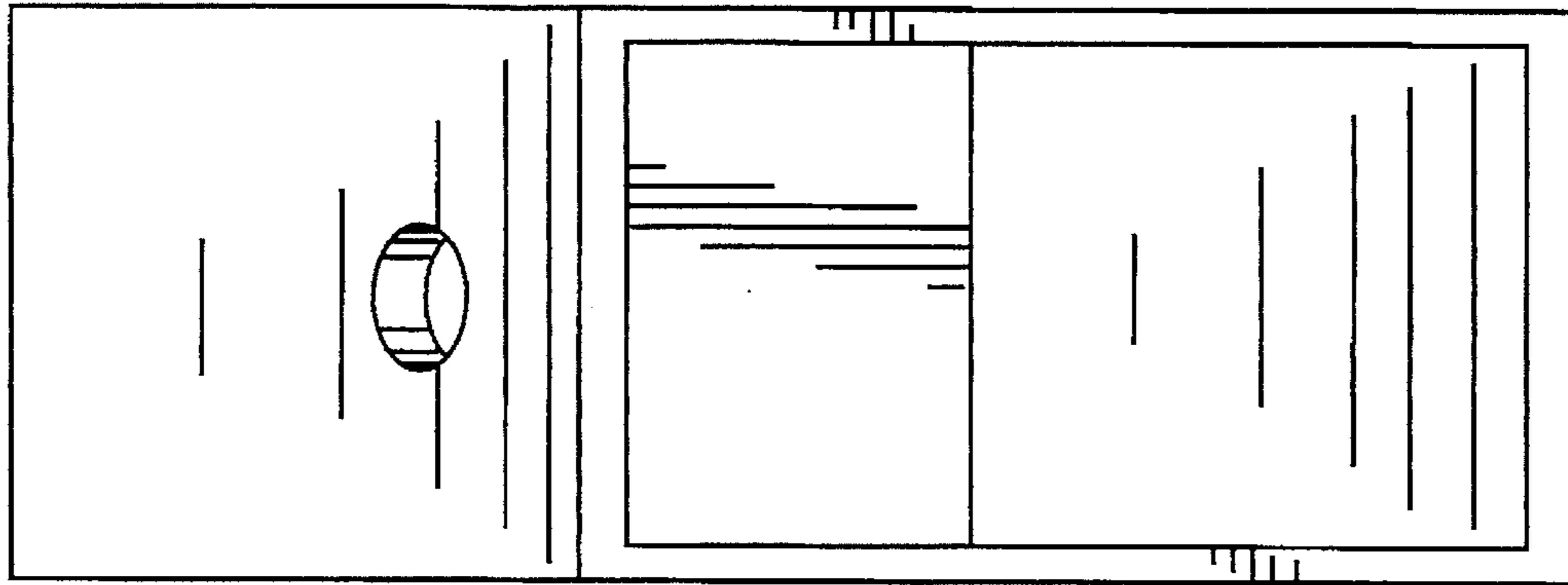
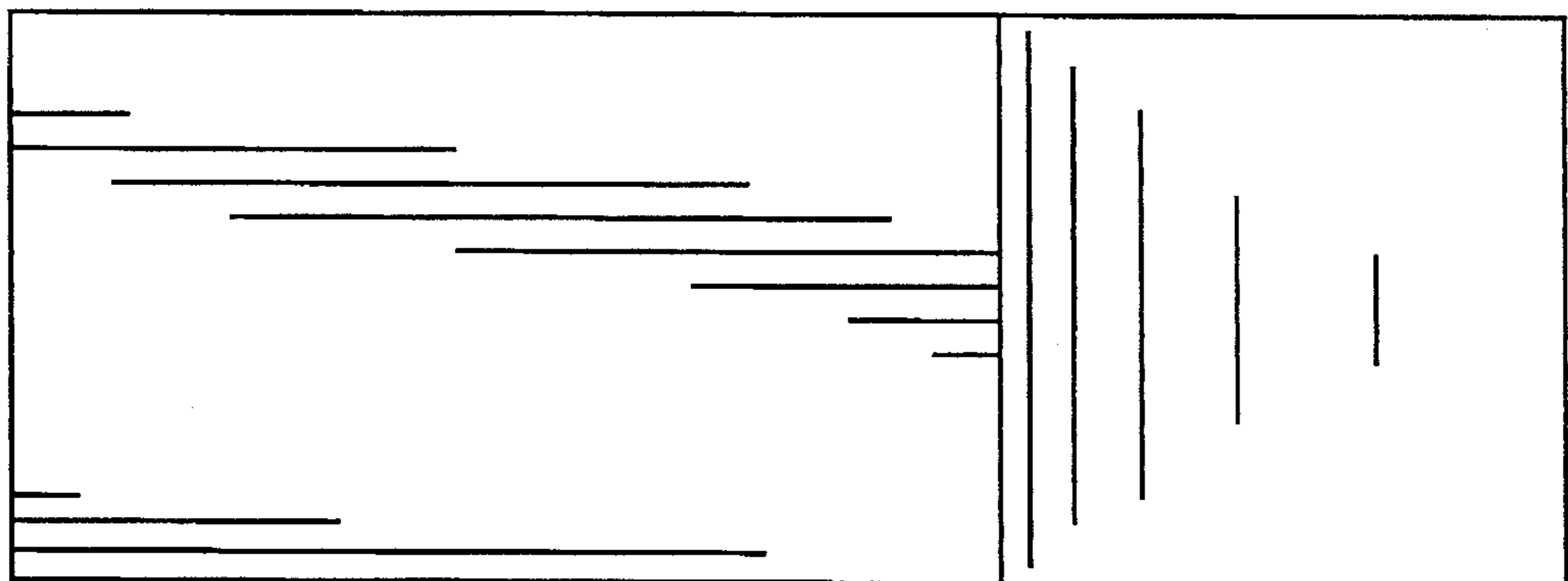


FIG. 5



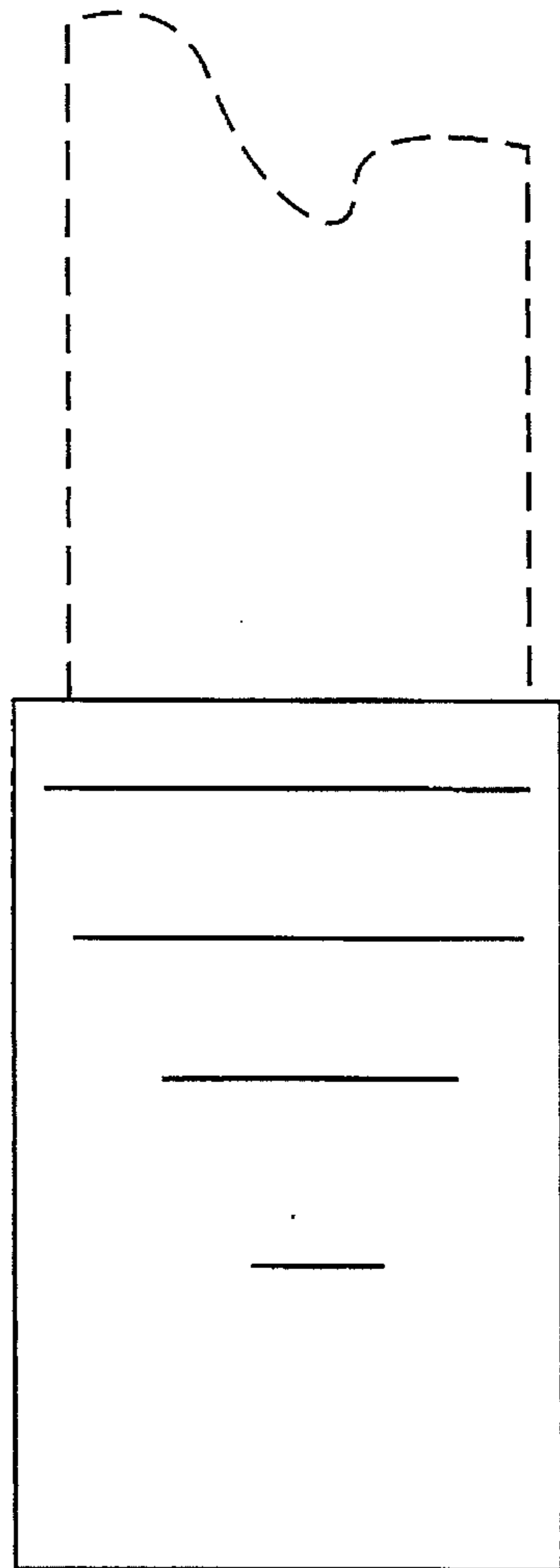


FIG. 6

FIG. 7

