



US00D373719S

United States Patent [19]

[11] Patent Number: **Des. 373,719**

Lin

[45] Date of Patent: ****Sep. 17, 1996**

[54] **BRACKET FOR DRYING CLOTHES**

Primary Examiner—Holly H. Baynham
Attorney, Agent, or Firm—Alfred Lei

[76] Inventor: **Chen Y. Lin**, P.O. Box 82-144, Taipei, Taiwan

[57] **CLAIM**

[**] Term: **14 Years**

The ornamental design for a bracket for drying clothes, as shown and described.

[21] Appl. No.: **41,041**

DESCRIPTION

[22] Filed: **Jul. 3, 1995**

[52] U.S. Cl. **D8/373; D8/380; D8/381**

[58] Field of Search **D8/373, 380-381; 248/235, 237, 243, 245, 247, 300**

FIG. 1 is a perspective view of a bracket for drying clothes showing my new design;

FIG. 2 is a front elevational view thereof;

FIG. 3 is a rear elevational view thereof;

FIG. 4 is a left view thereof;

FIG. 5 is a right view thereof;

FIG. 6 is a top plan view thereof; and,

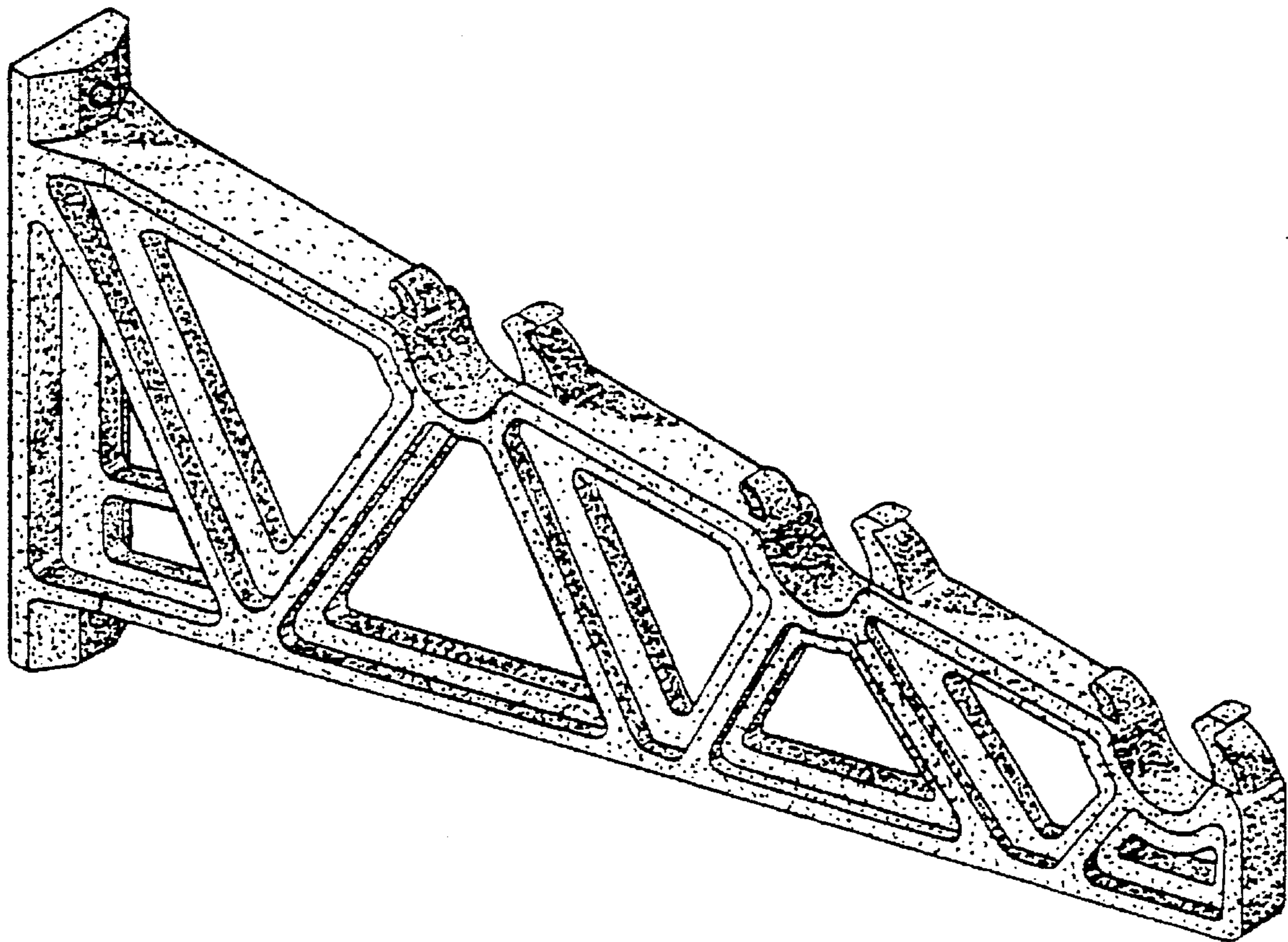
FIG. 7 is a bottom plan view thereof.

[56] **References Cited**

U.S. PATENT DOCUMENTS

D. 228,852	10/1973	Vogelhuber	D8/372 X
D. 336,605	6/1993	Lemmerman et al.	D8/380 X
4,086,858	5/1978	Howitt	248/243 X
4,804,159	2/1989	Martel	248/300 X

1 Claim, 4 Drawing Sheets



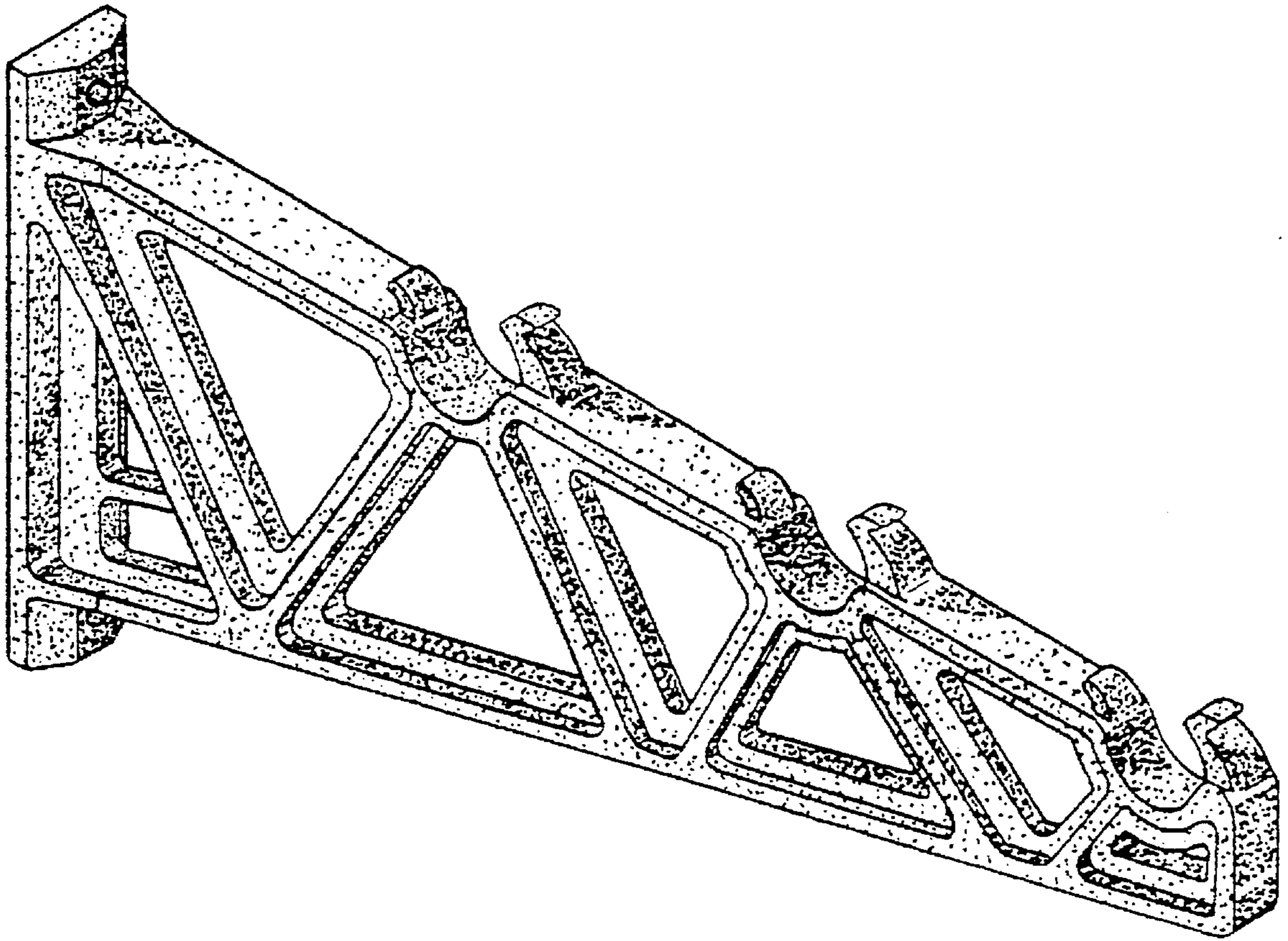


FIG. 1

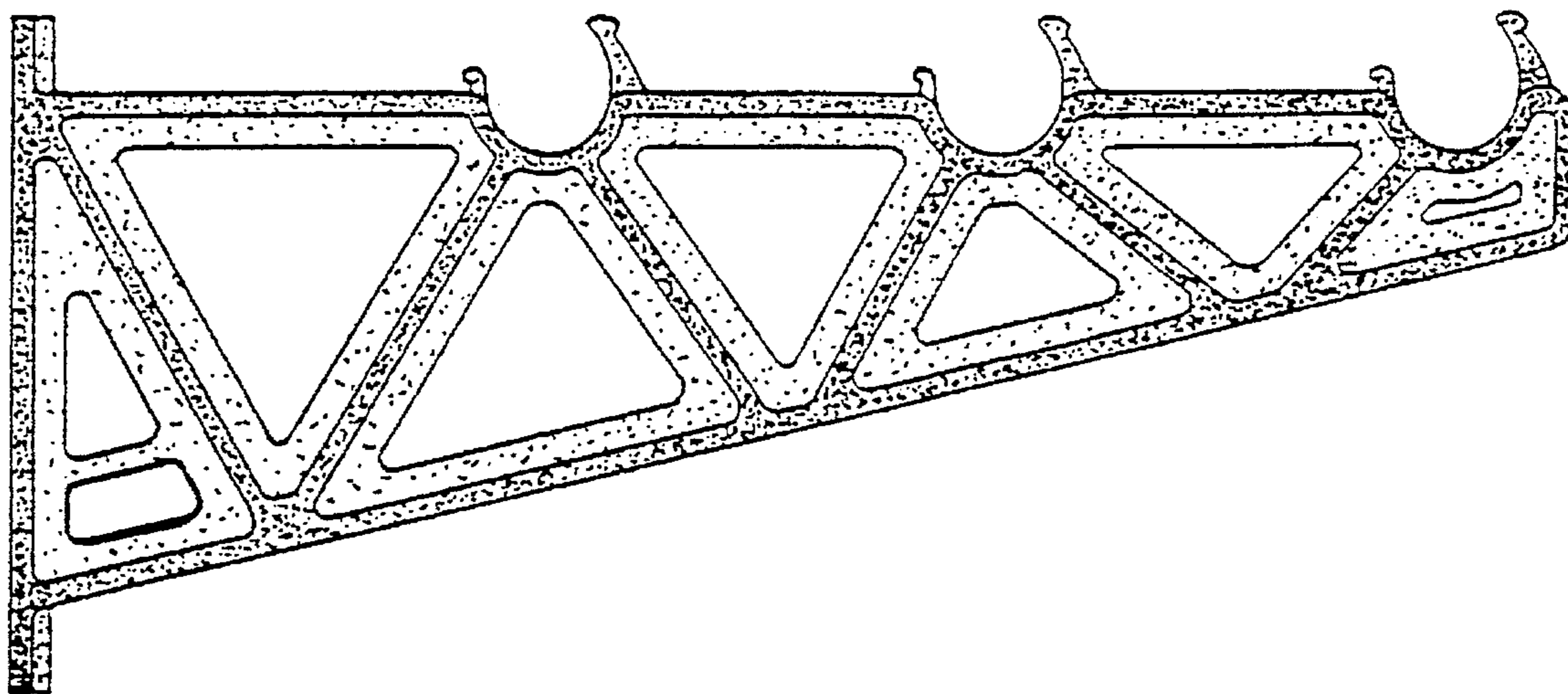


FIG. 2

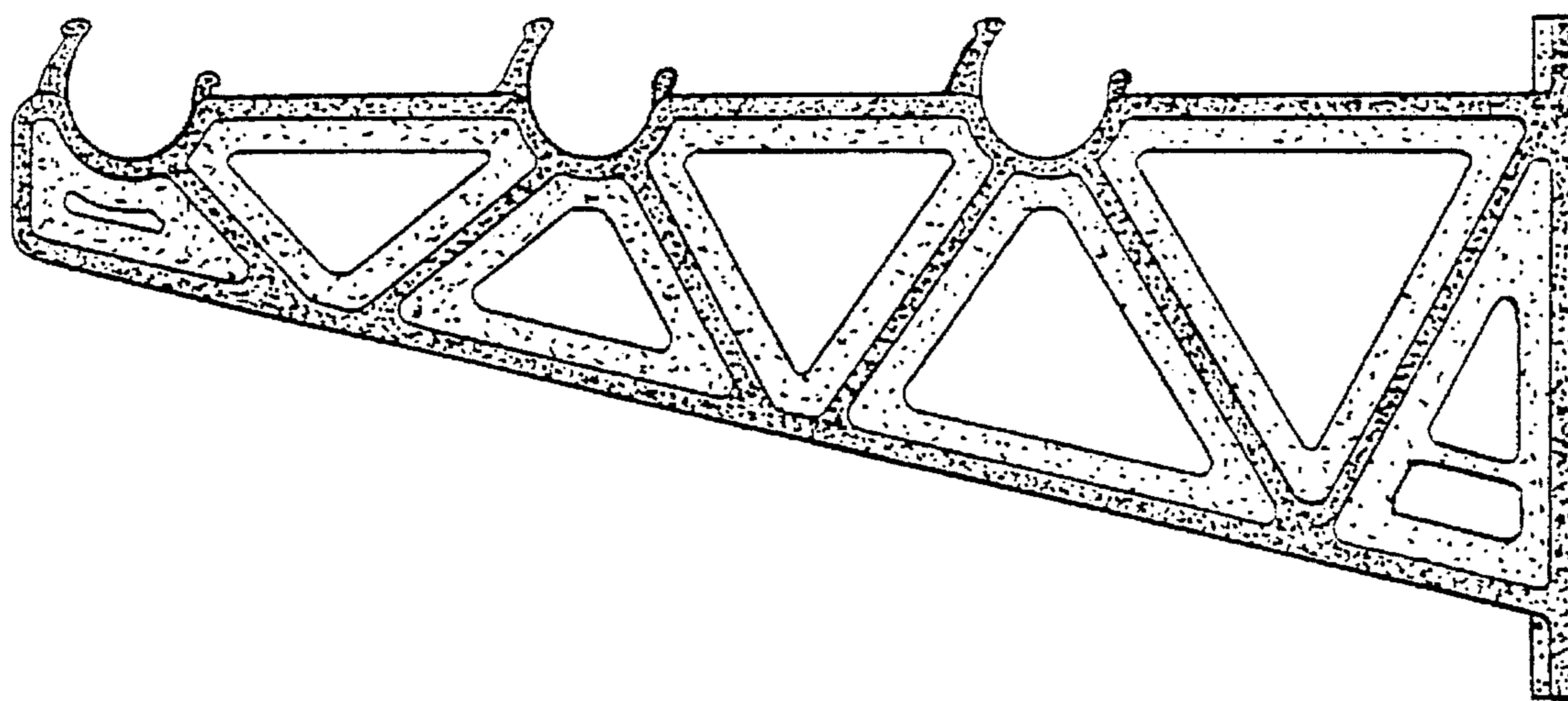


FIG. 3

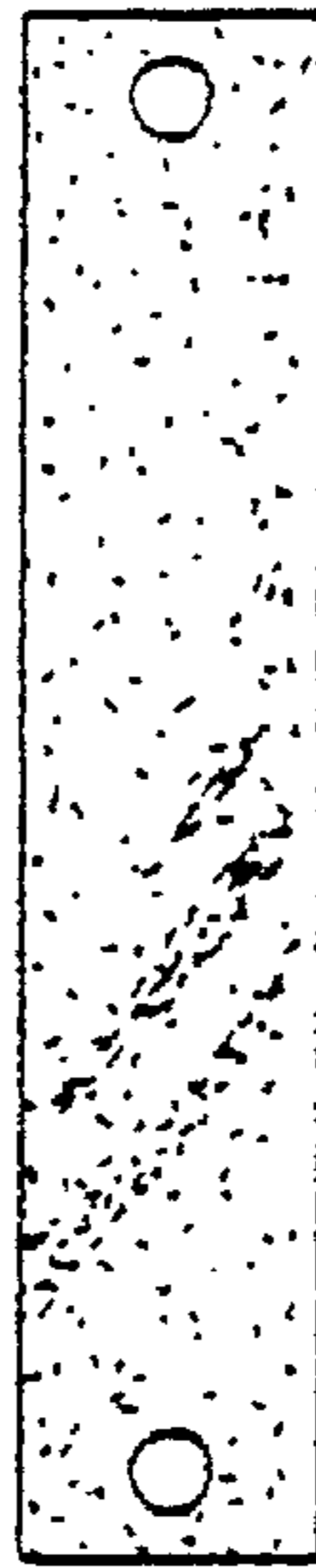


FIG. 4



FIG. 5

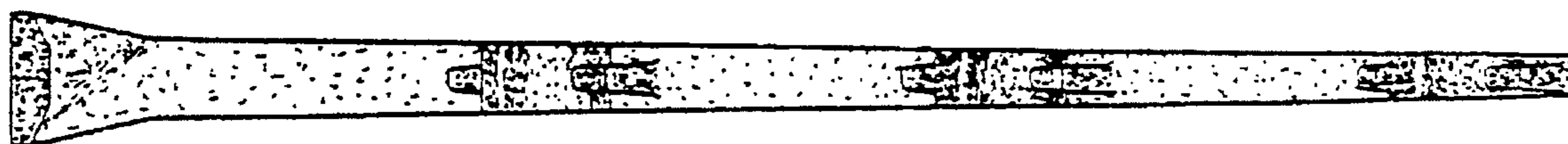


FIG. 6

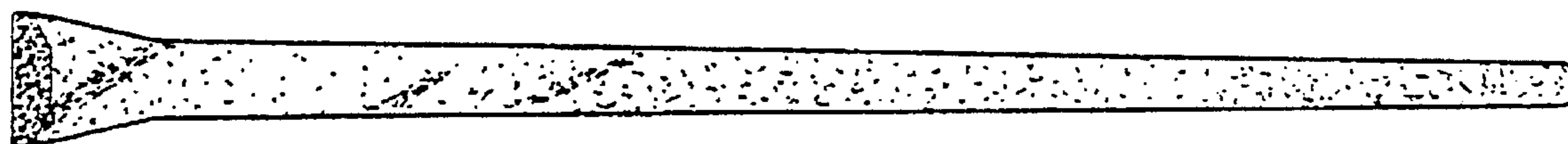


FIG. 7