



US00D373715S

United States Patent [19]

[11] Patent Number: **Des. 373,715**

Fink

[45] Date of Patent: ****Sep. 17, 1996**

[54] **DRYWALL ANGLE SANDER**

4,774,789	10/1988	Amalfi	451/525
4,823,515	4/1989	Blome	451/495
4,930,267	6/1990	Hill et al.	451/525

[76] Inventor: **Richard D. Fink**, N5872 610th St., Ellsworth, Wis. 54011-5131

Primary Examiner—Philip S. Hyder
Attorney, Agent, or Firm—Joel D. Skinner, Jr.

[**] Term: **14 Years**

[57] **CLAIM**

[21] Appl. No.: **33,290**

The ornamental design for a drywall angle sander, as shown and described.

[22] Filed: **Jan. 9, 1995**

[52] U.S. Cl. **D8/90; D8/45**

DESCRIPTION

[58] Field of Search D8/90, 91, 45; D32/40; 451/495, 523, 524, 525, 515, 557

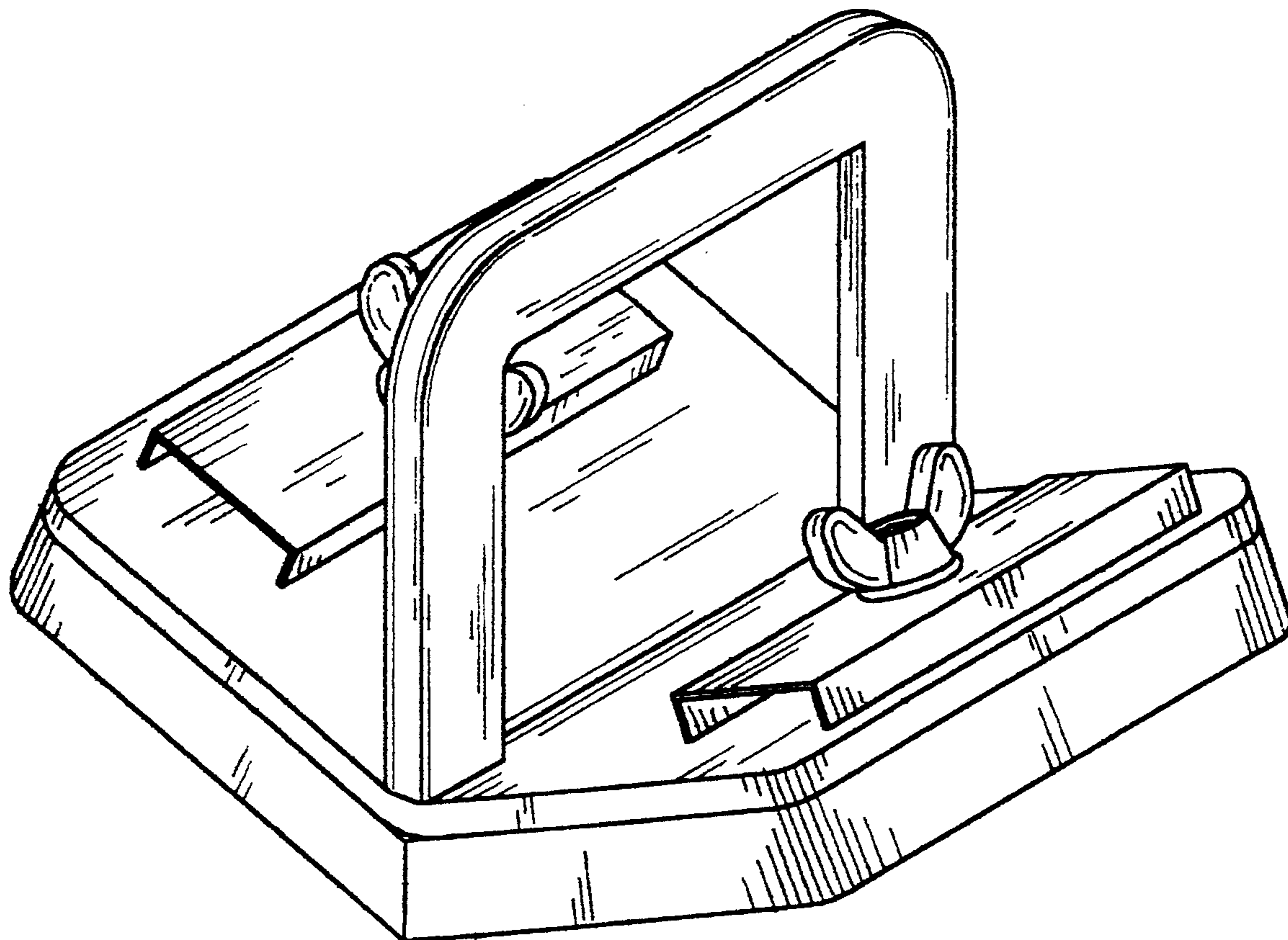
FIG. 1 is a perspective view of the drywall angle sander showing the new design;
FIG. 2 is a top view thereof;
FIG. 3 is a view of the right side of FIG. 2, the opposite side being identical thereto;
FIG. 4 is a front elevational view of FIG. 2, the rear view being a mirror image thereof; and,
FIG. 5 is a bottom view thereof.

[56] **References Cited**

U.S. PATENT DOCUMENTS

D. 304,513	11/1989	Loffredo	D32/40
2,817,931	12/1957	Houser	451/522
2,954,649	10/1960	Carroll et al.	451/525
3,120,084	2/1964	Phillips	451/557
3,279,130	10/1966	Nelson	451/524
3,432,975	3/1969	Parker	451/515
4,071,983	2/1978	Thielen	451/525

1 Claim, 3 Drawing Sheets



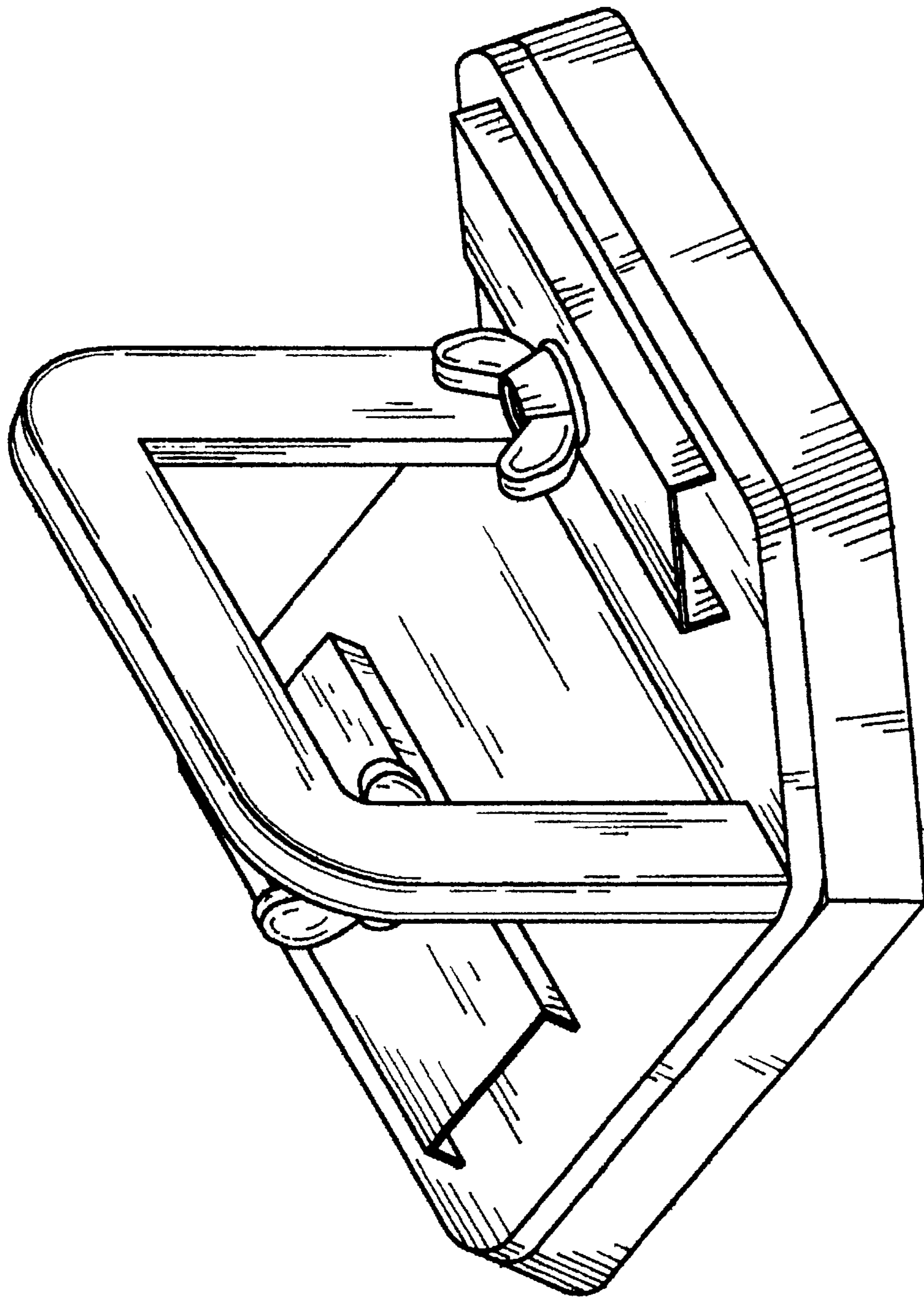


FIG. 1

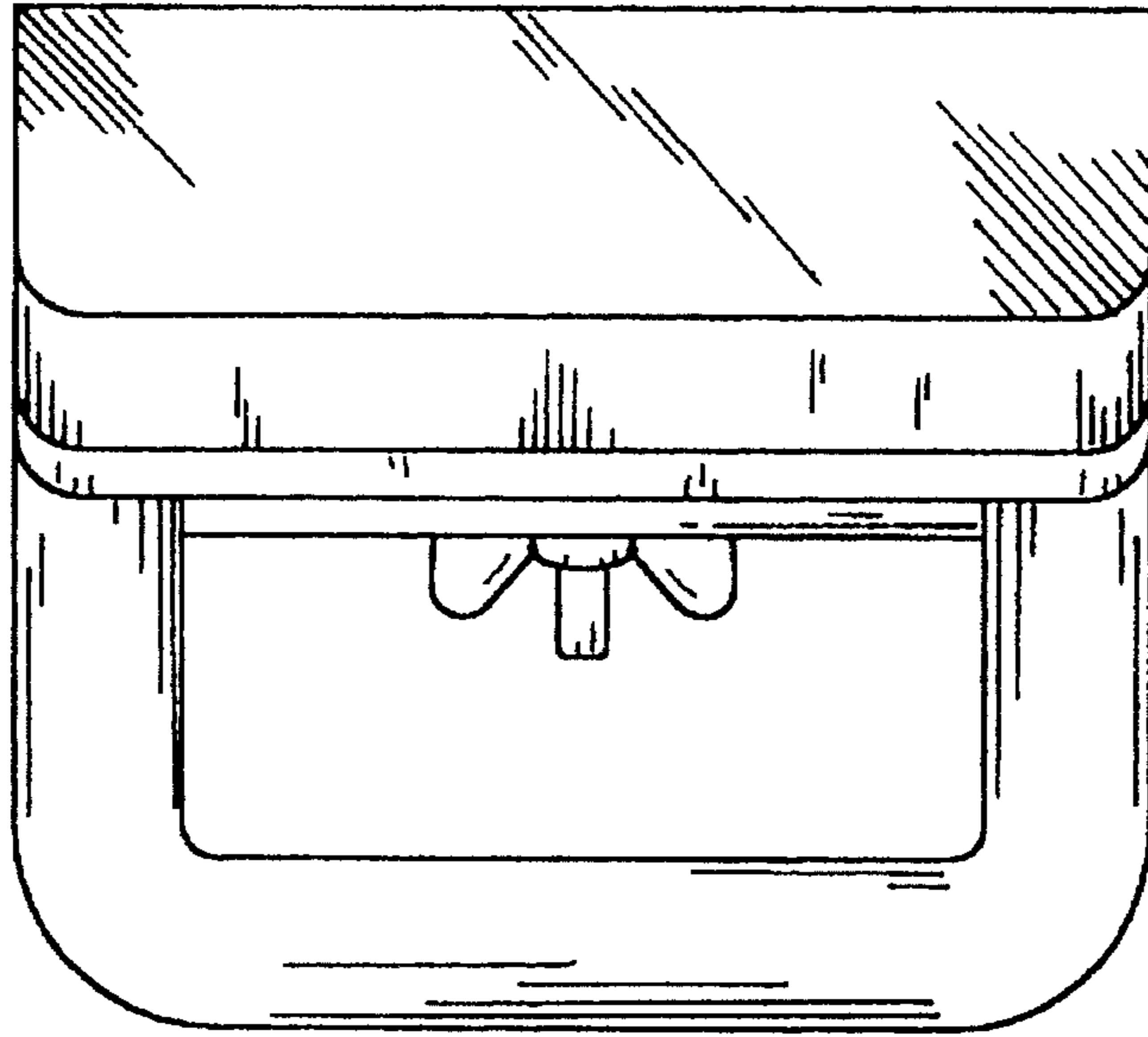


FIG. 3

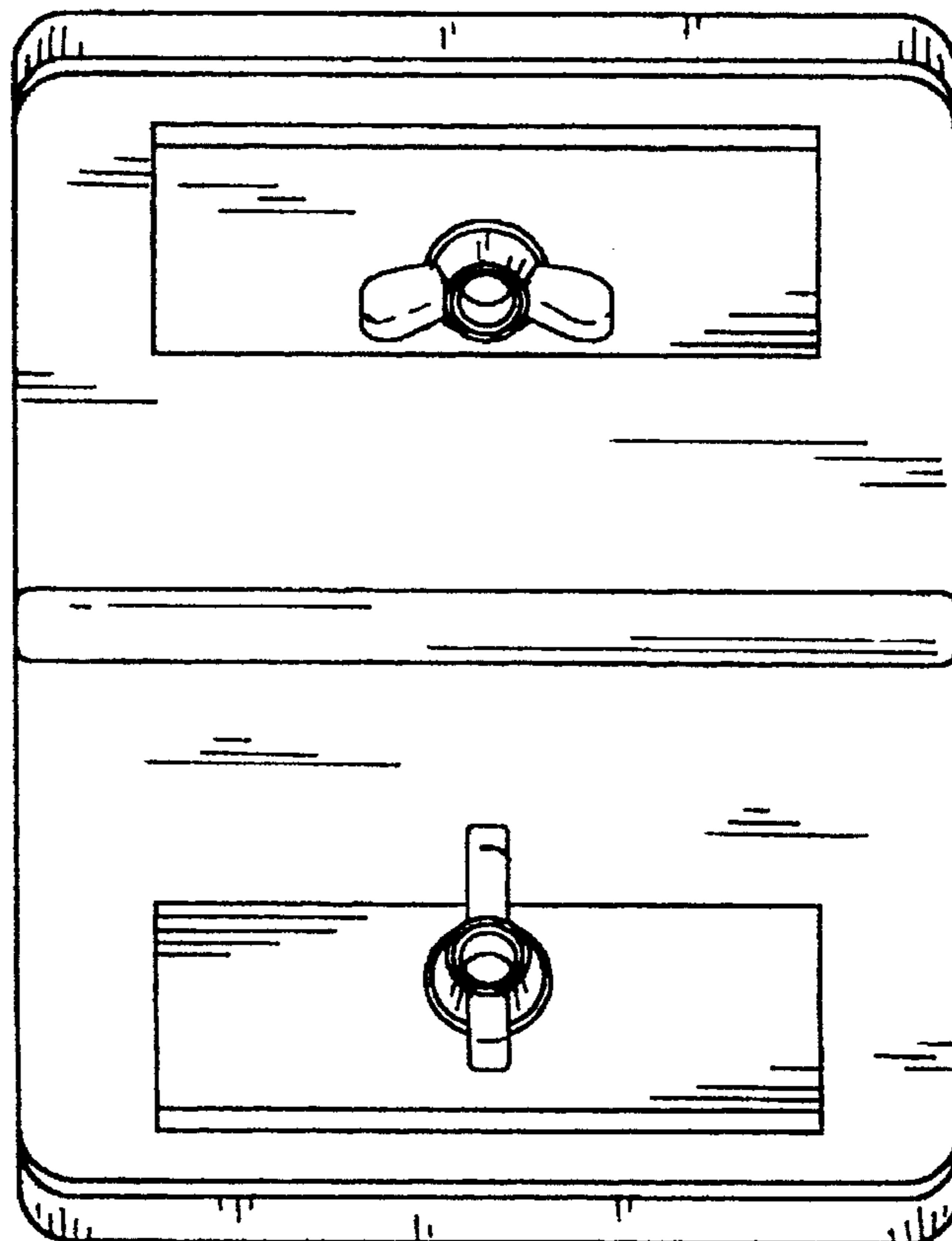


FIG. 2

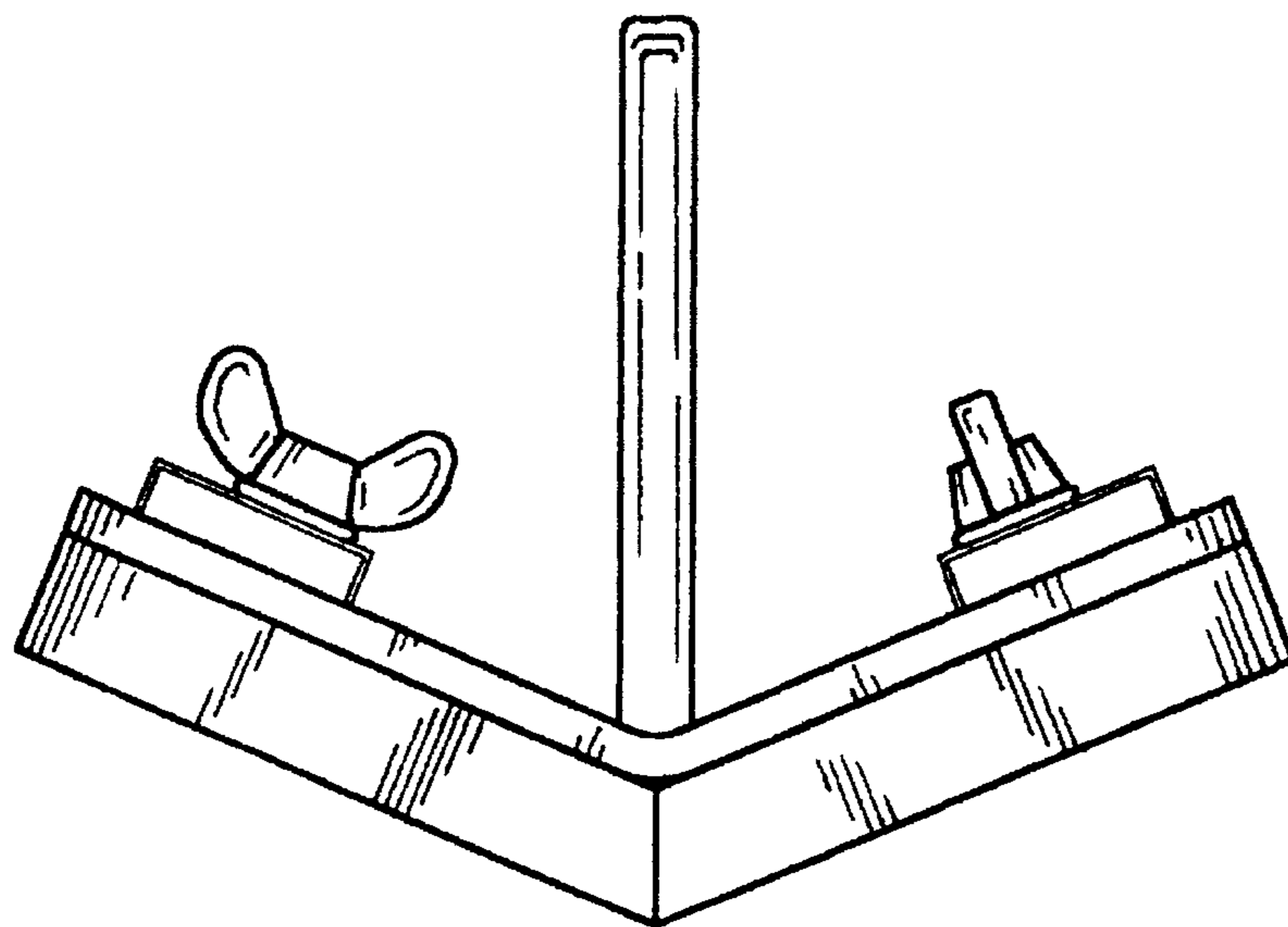


FIG. 4

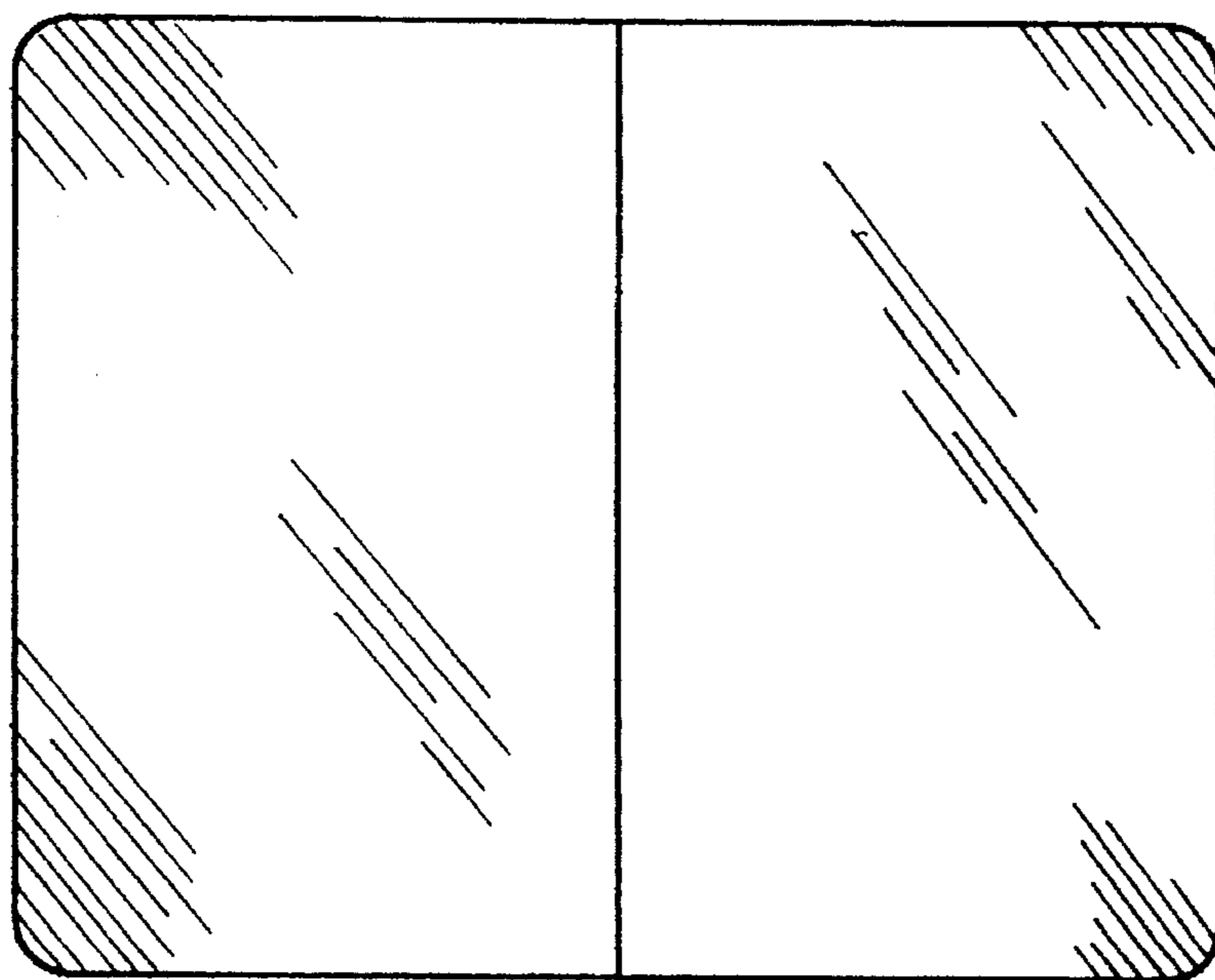


FIG. 5