



US00D373713S

# United States Patent [19]

Coe

[11] Patent Number: **Des. 373,713**

[45] Date of Patent: **\*\*Sep. 17, 1996**

[54] **COMBINED FOIL SEAL CUTTER AND COTTON EXTRACTOR TOOL**

[75] Inventor: **Matthew Coe**, Cedar Grove, N.J.

[73] Assignee: **PharmaDesign Inc.**, Warren, N.J.

[\*\*] Term: **14 Years**

[21] Appl. No.: **19,542**

[22] Filed: **Mar. 4, 1994**

[52] U.S. Cl. .... **D8/14; D8/105; 30/366**

[58] Field of Search ..... **D8/14, 21-29, D8/34, 105; 7/151, 156; 81/3.47, 3.55, 3.56, 3.57, 3.48; 30/363, 366; 225/105**

[56] **References Cited**

**U.S. PATENT DOCUMENTS**

D. 238,999	3/1976	Numbers .....	D8/21 X
D. 325,500	4/1992	Dennis et al. ....	D8/40 X
1,376,562	5/1921	Metzler .....	81/3.47
3,257,726	6/1966	Longobardi .....	D8/71 X

5,161,435 11/1992 Brannon ..... 81/3.47 X

*Primary Examiner*—B. J. Bullock  
*Assistant Examiner*—Richelle Shelton  
*Attorney, Agent, or Firm*—Bryan, Levitin & Bab, LLP

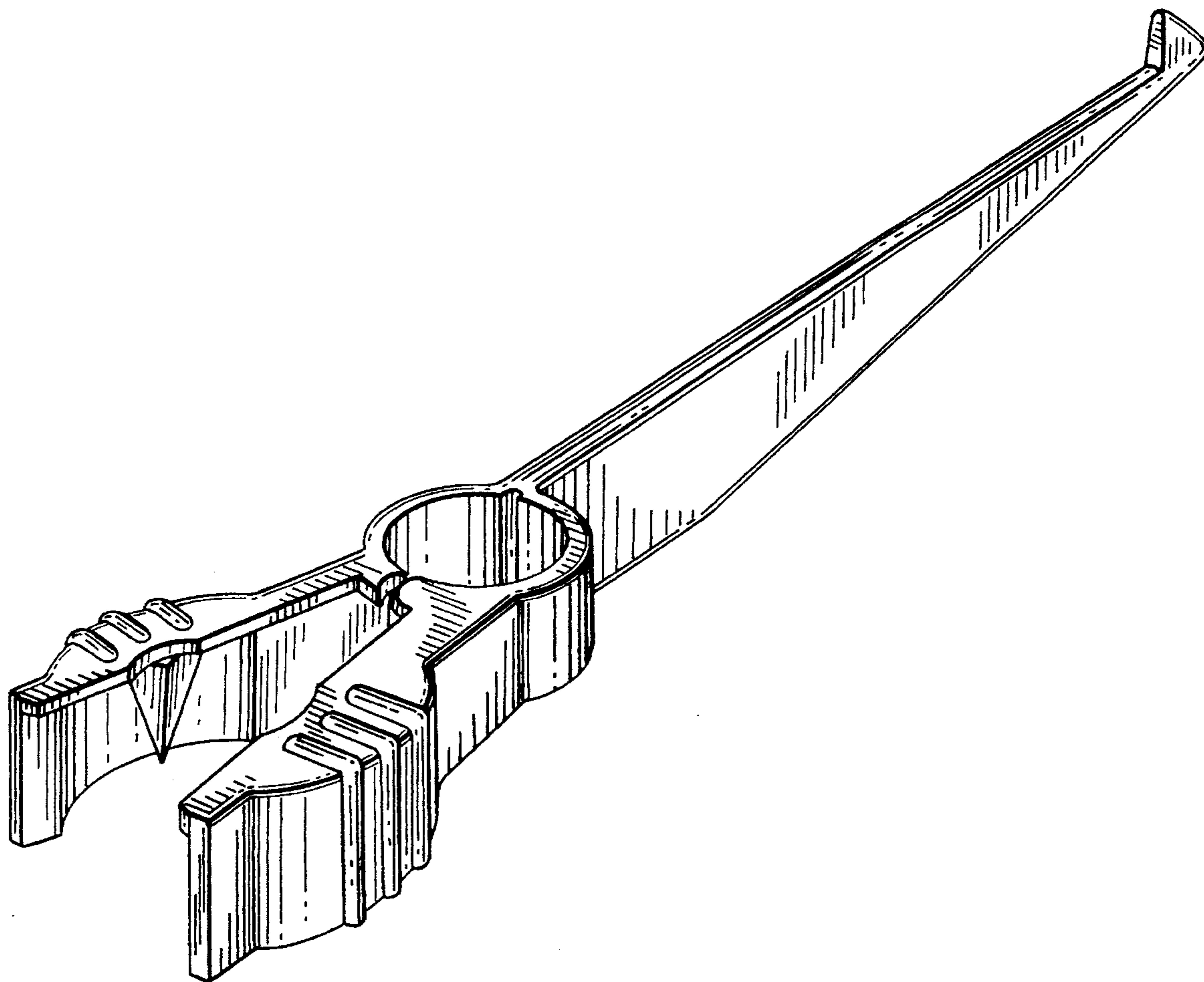
[57] **CLAIM**

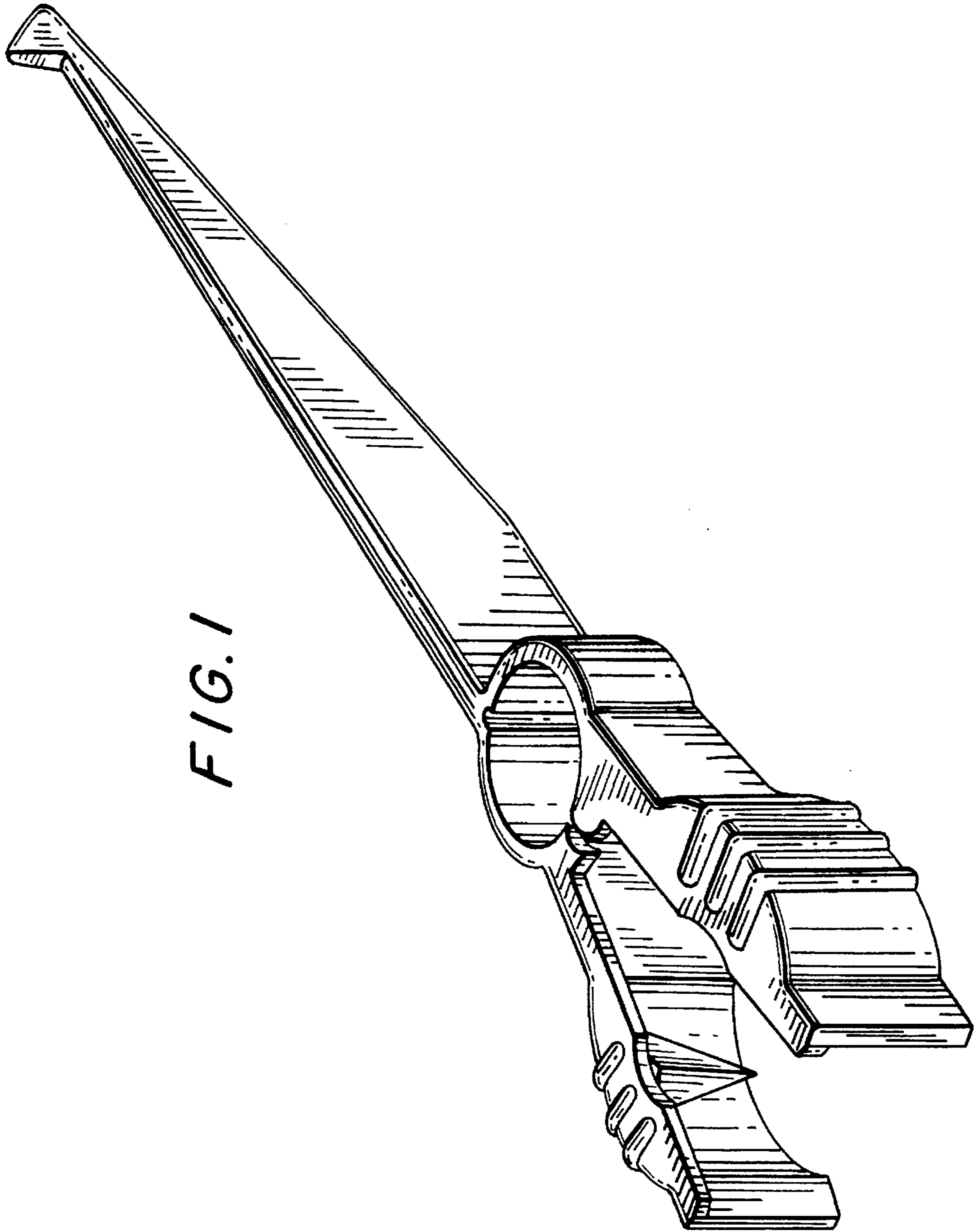
The ornamental design for a combined foil seal cutter and cotton extractor tool, as shown and described.

**DESCRIPTION**

FIG. 1 is a top, front, and left side perspective view of a combined foil seal cutter and cotton extractor tool showing my new design;  
FIG. 2 is a reduced top plan view of the combined foil seal cutter and cotton extractor;  
FIG. 3 is a front elevational view thereof;  
FIG. 4 is a left side elevational view thereof;  
FIG. 5 is a right side elevational view thereof;  
FIG. 6 is a rear elevational view thereof; and,  
FIG. 7 is a bottom plan view thereof.

**1 Claim, 3 Drawing Sheets**





*FIG. 1*

FIG. 2

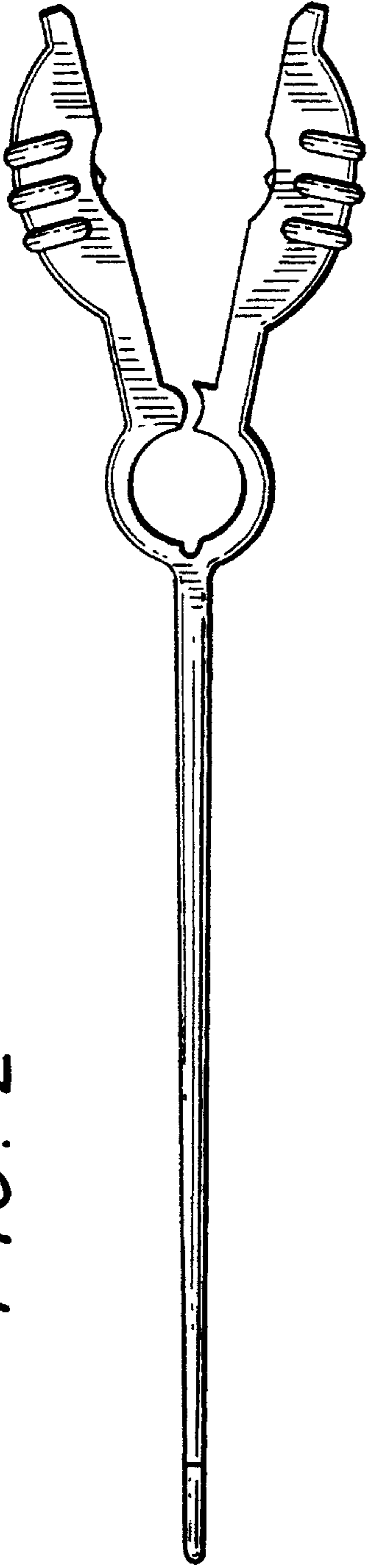


FIG. 3

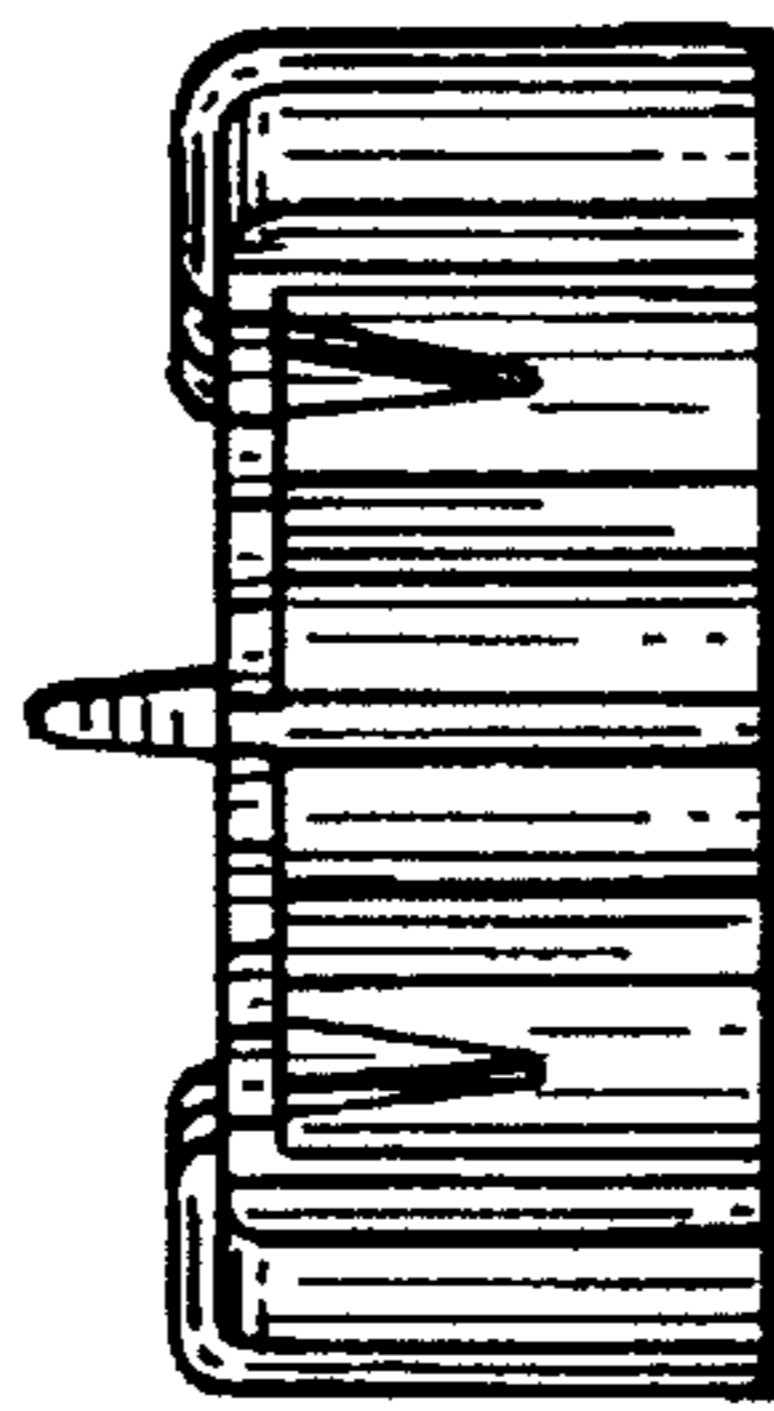


FIG. 4

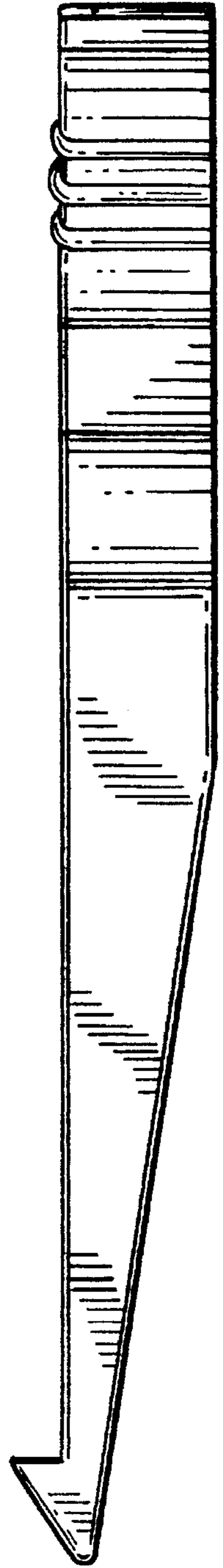


FIG. 5

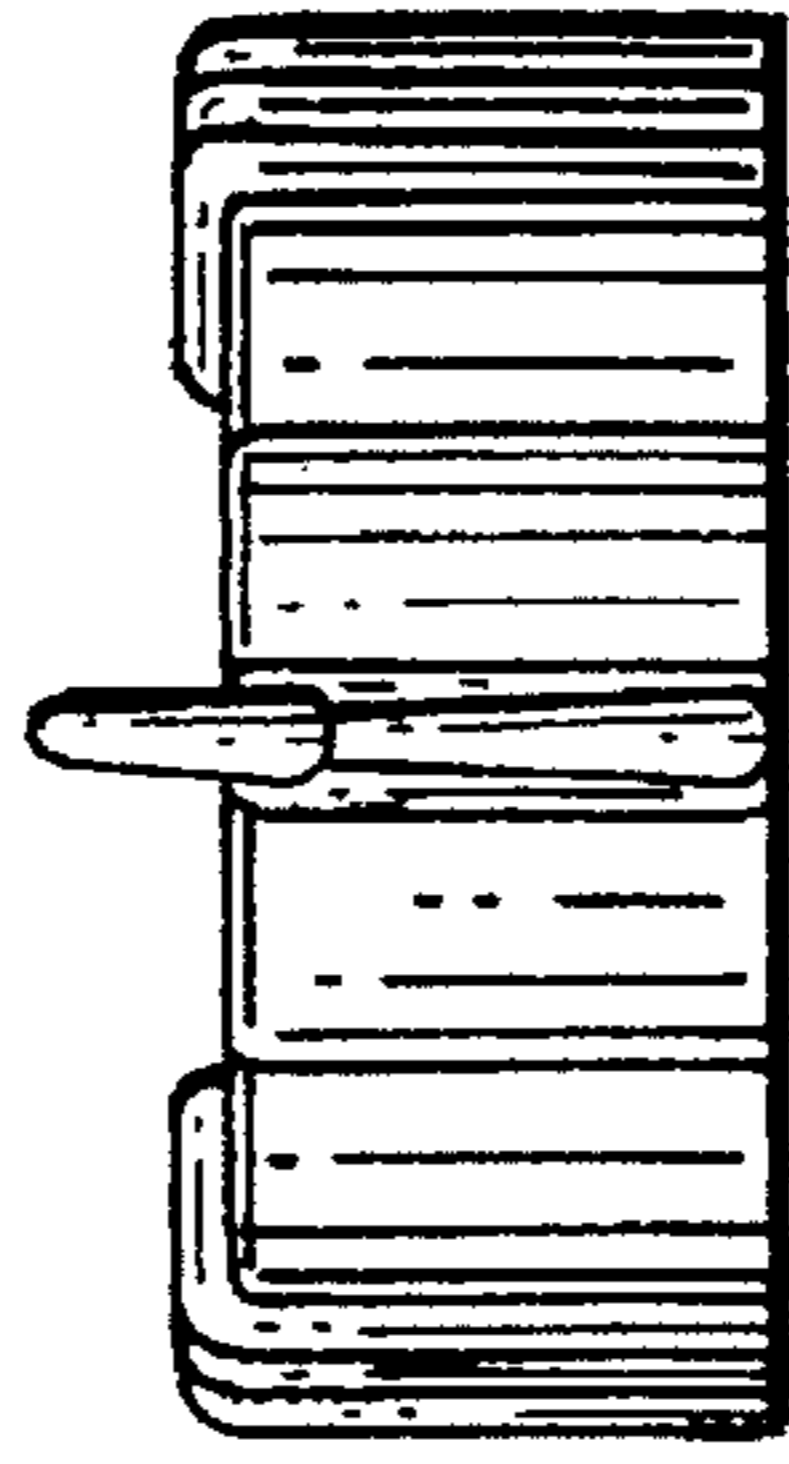
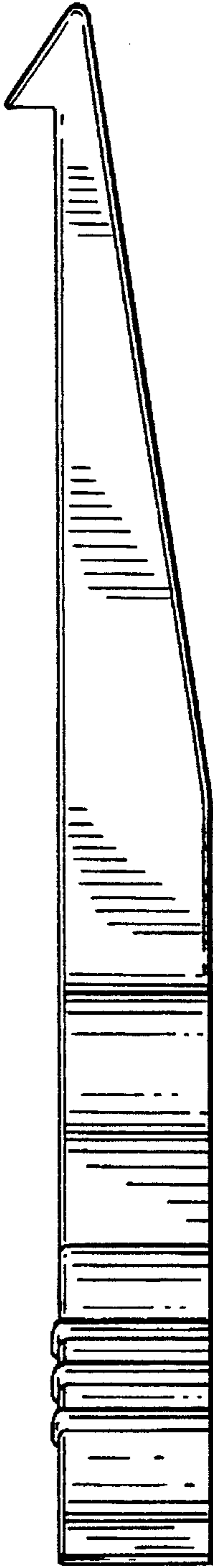


FIG. 6

FIG. 7

