



US00D373710S

United States Patent [19]

[11] Patent Number: **Des. 373,710**

Avon

[45] Date of Patent: ****Sep. 17, 1996**

[54] POSITIVE PRESSURE DISPENSER

[76] Inventor: **Arthur Avon**, 1959 Church Rd., Toms River, N.J. 08753

[**] Term: **14 Years**

[21] Appl. No.: **40,086**

[22] Filed: **Jun. 9, 1995**

[52] U.S. Cl. **D7/590**

[58] Field of Search D7/300, 305, 312, D7/313, 590; D9/300; 222/321.7, 321.9, 372, 373, 382, 383.1

[56] References Cited

U.S. PATENT DOCUMENTS

D. 116,813	9/1939	Bost	D7/589
D. 290,438	6/1987	Mandat	D7/589
4,984,712	1/1991	Jouillat .	
5,000,355	3/1991	Pritchard .	
5,096,092	3/1992	Devine .	
5,381,932	1/1995	Humphrey	222/321.9

OTHER PUBLICATIONS

Institutions Magazine, Oct. 1969, p. 30, dispenser pumps.

Primary Examiner—Terry A. Wallace
Attorney, Agent, or Firm—Dennis H. Lambert

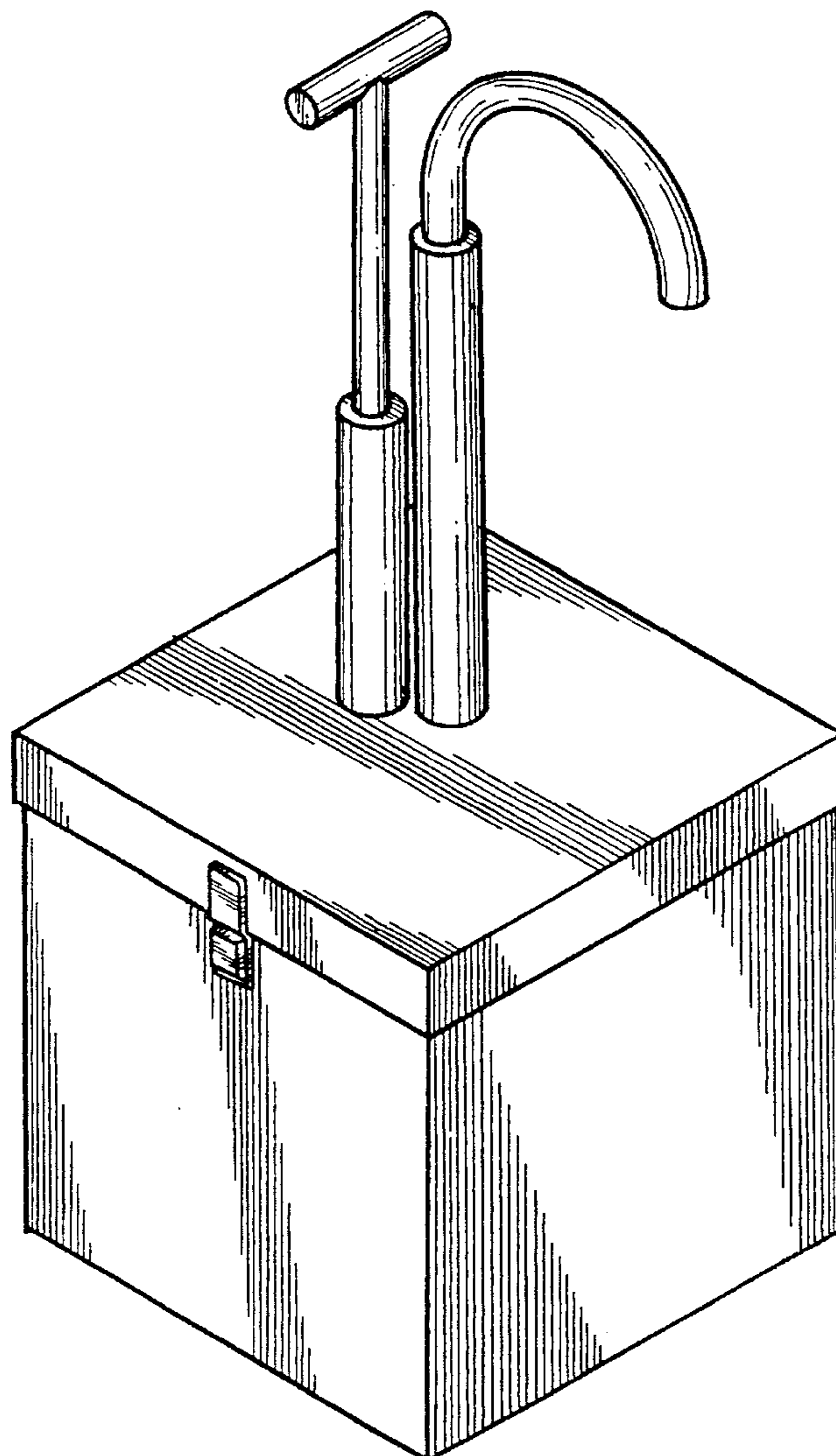
[57] CLAIM

The ornamental design for a positive pressure dispenser, as shown and described.

DESCRIPTION

FIG. 1 is a front, top and side perspective view of the positive pressure dispenser showing my new design; FIG. 2 is a right side elevational view thereof, the opposite side being a mirror image; FIG. 3 is a rear elevational view thereof; FIG. 4 is a front elevational view thereof; FIG. 5 is a top plan view thereof; and, FIG. 6 is a bottom plan view thereof.

1 Claim, 4 Drawing Sheets



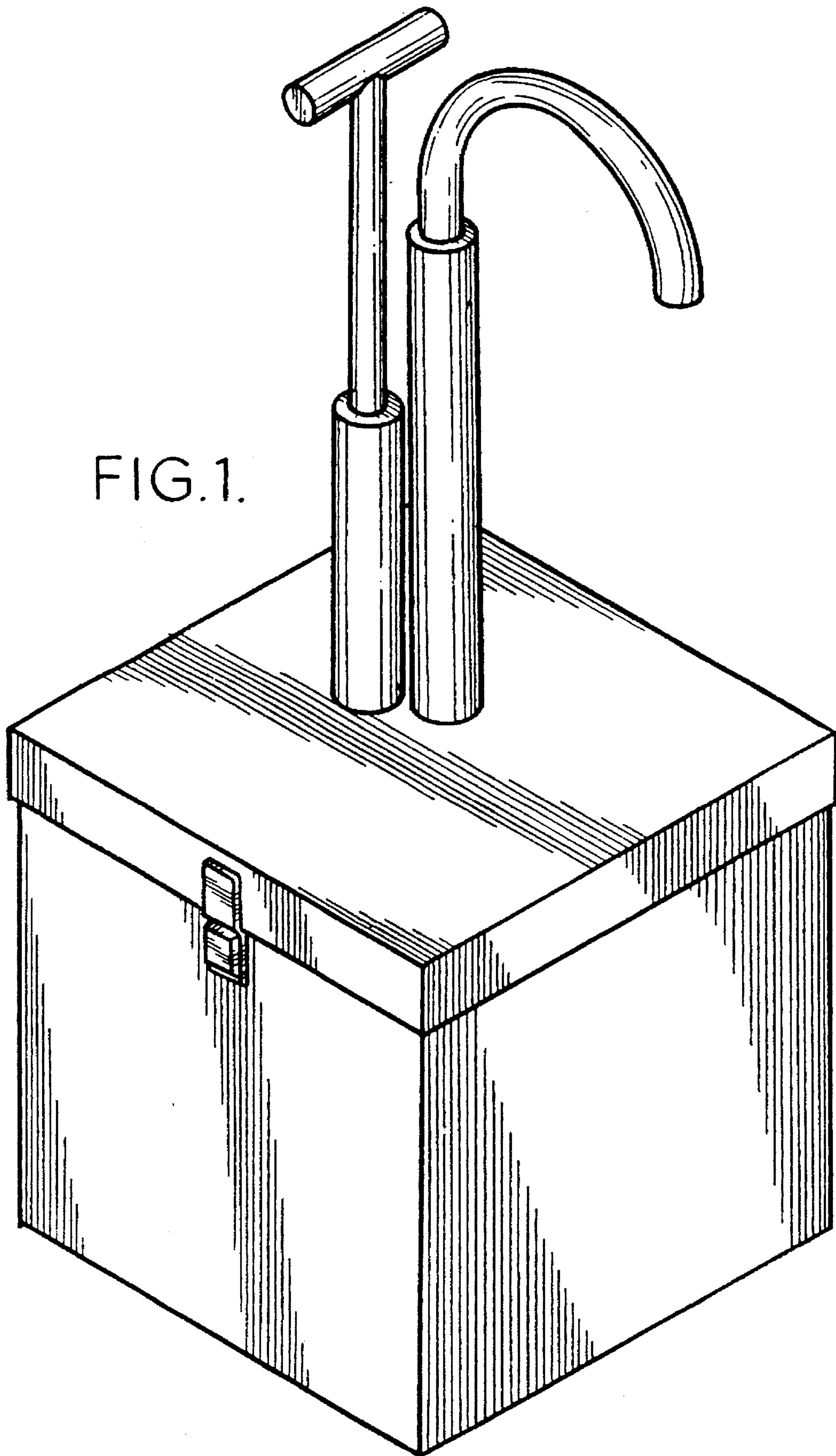


FIG. 1.

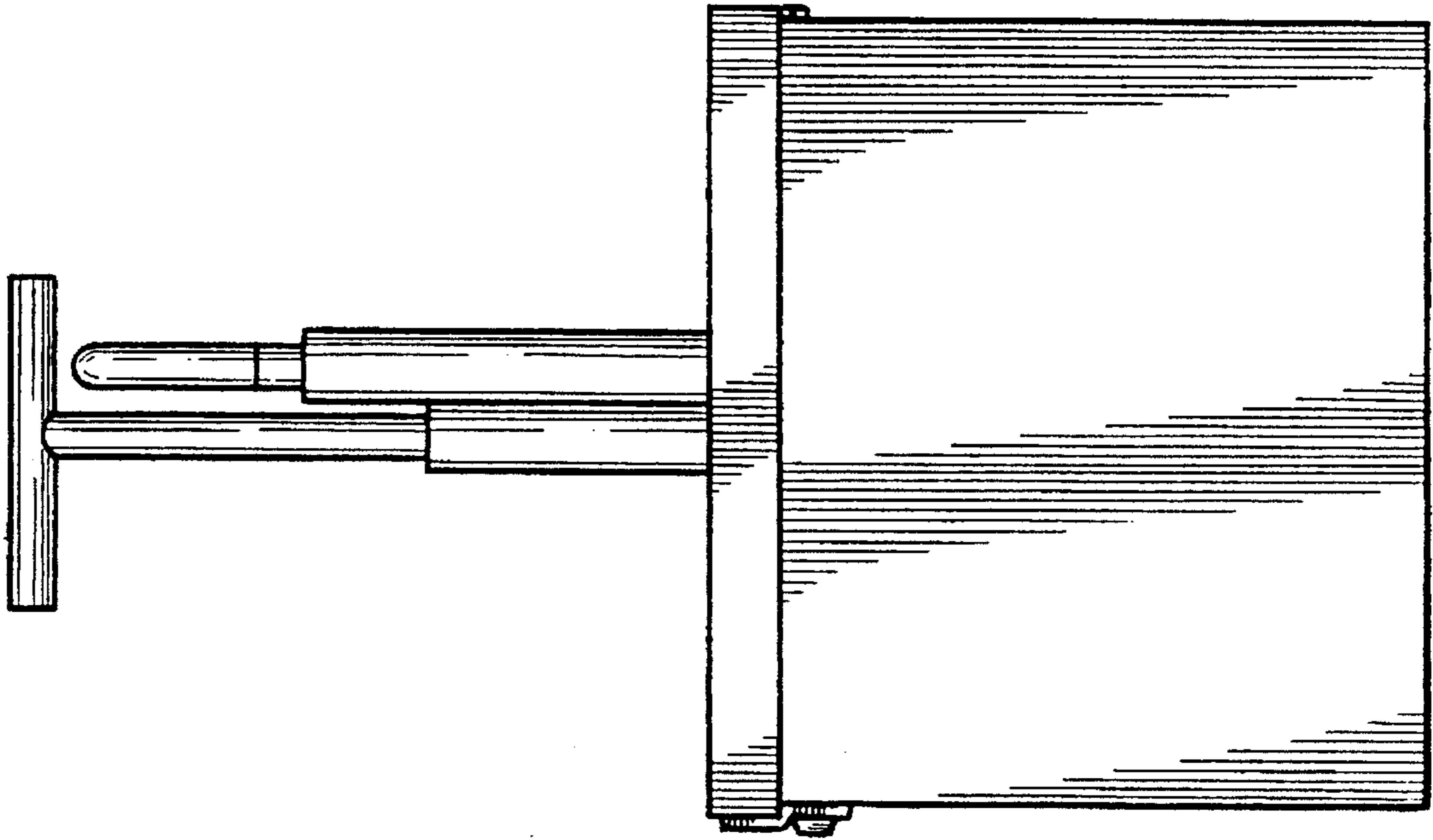


FIG. 2.

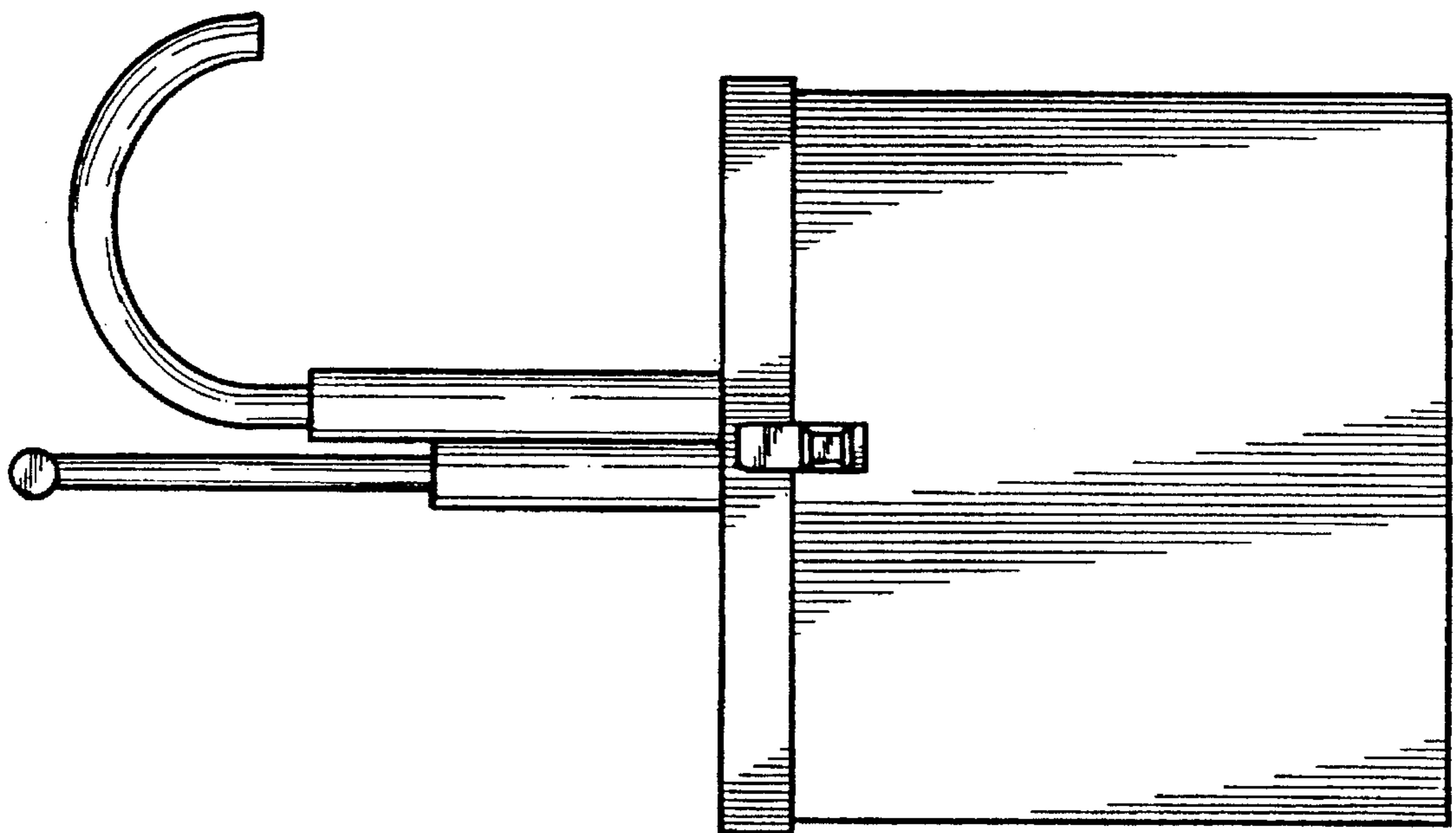


FIG. 4.

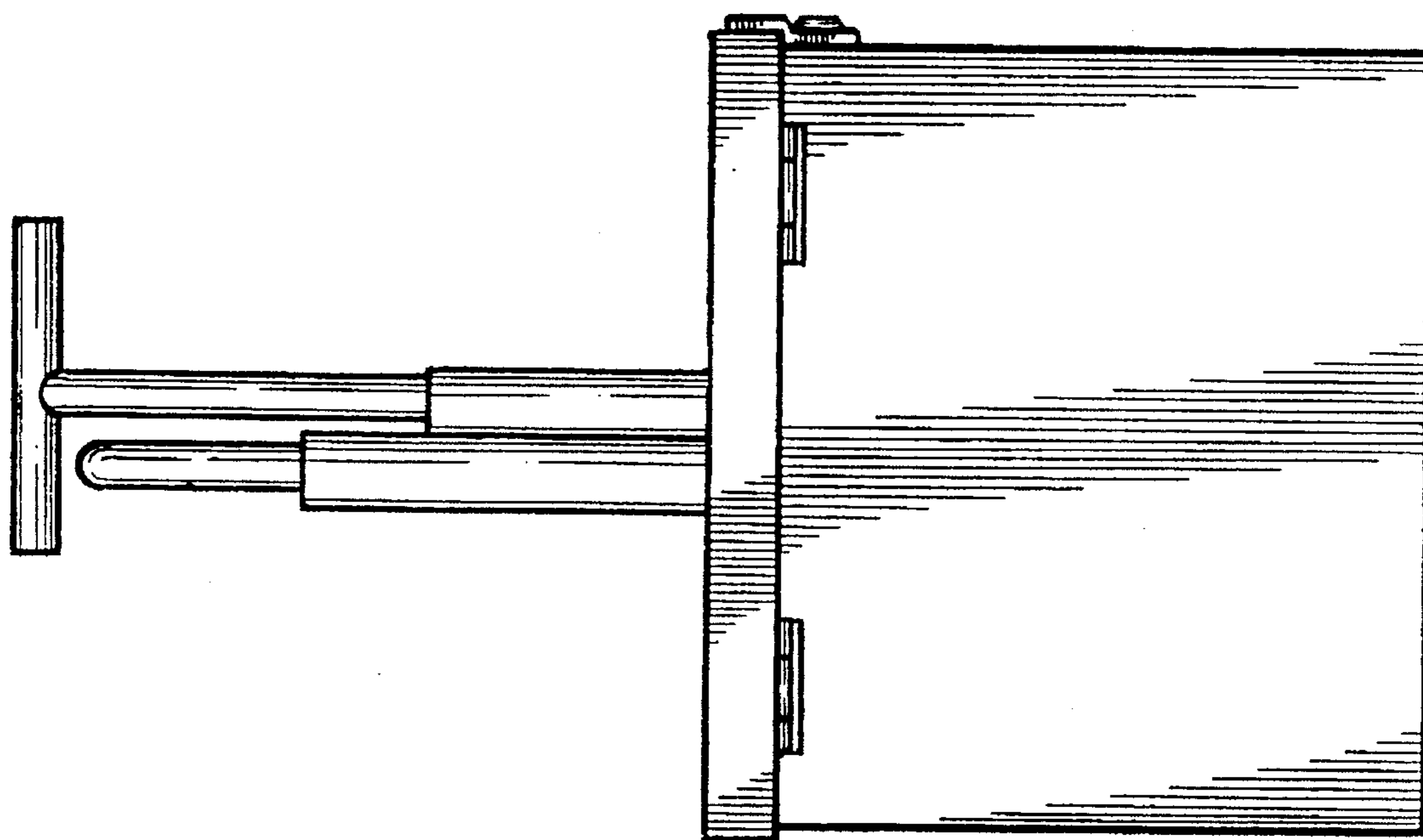
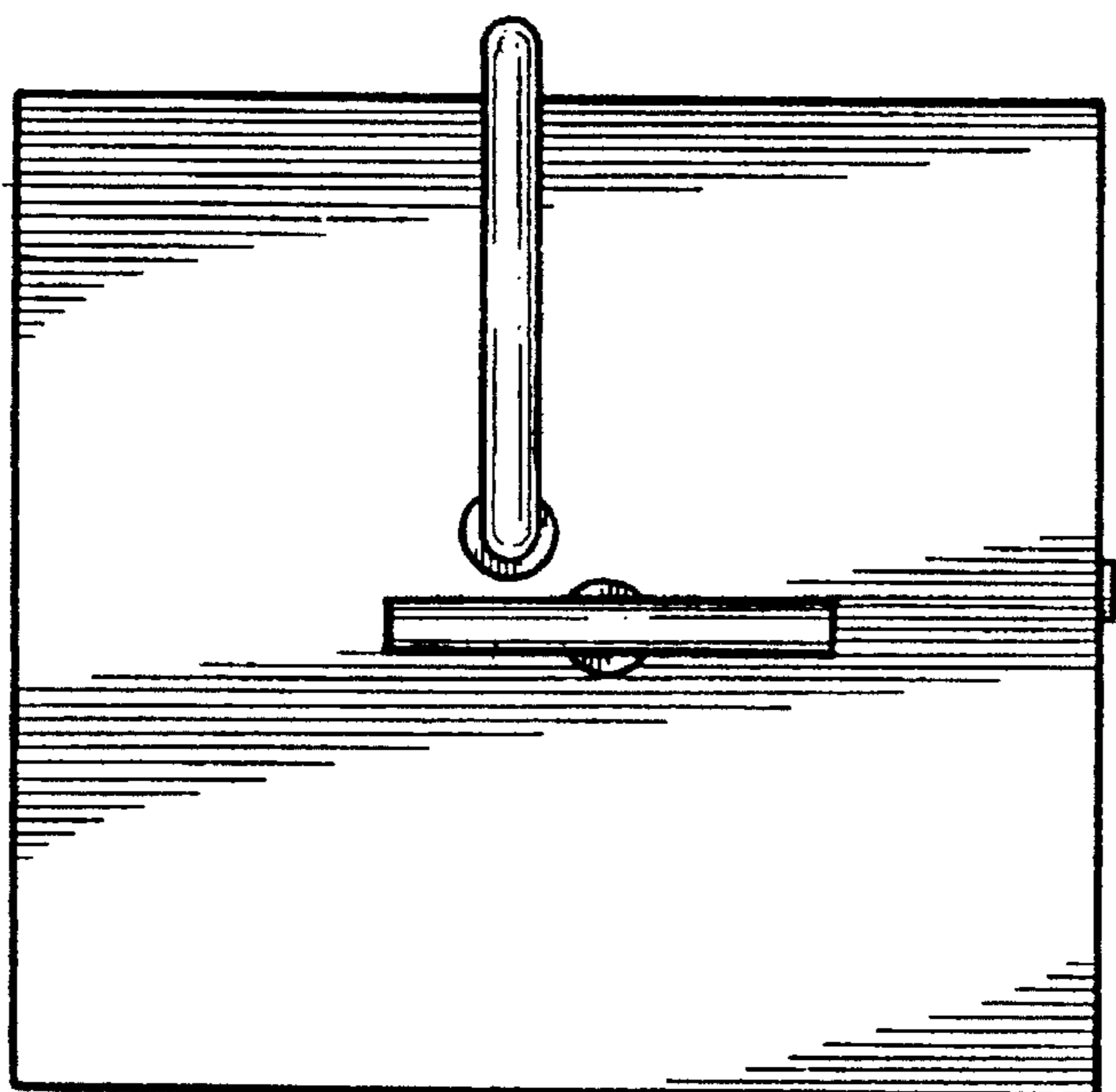


FIG. 3.

FIG. 5.



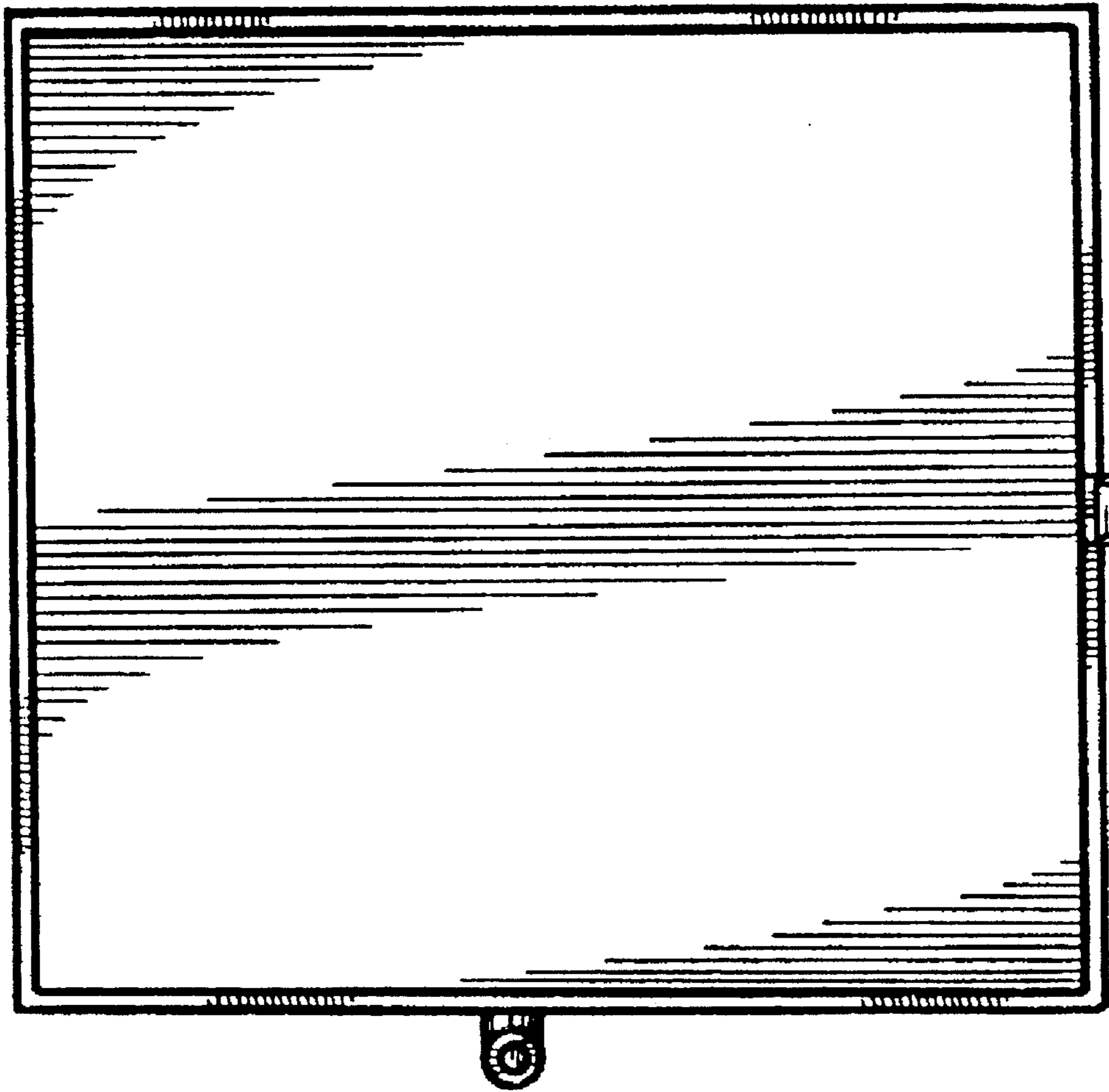


FIG. 6.