



US00D373708S

United States Patent [19]

[11] Patent Number: **Des. 373,708**

Hamilton et al.

[45] Date of Patent: ****Sep. 17, 1996**

[54] **MICROWAVE STACK TRAY**

D. 309,539	7/1990	Lewis	D6/479
D. 362,787	10/1995	Burke	D7/501
D. 804,475	2/1930	Bartholdi	D6/460

[76] Inventors: **Craig Hamilton; Edwin Fernandez**,
both of 1719 Peperdale Dr., Rowland Heights, Calif. 91748

OTHER PUBLICATIONS

Spin-A-Spice Revolving Spice & Storage Rack, Housewares Reviews Jun. 1960 p. 38.

[**] Term: **14 Years**

Primary Examiner—M. N. Pandozzi
Attorney, Agent, or Firm—Harold H. Dutton, Jr.; Diane F. Liebman; W. Charles Jamison

[21] Appl. No.: **40,118**

[22] Filed: **Jun. 9, 1995**

[52] U.S. Cl. **D7/550; D7/501; D7/505; D7/558**

[57] CLAIM

The ornamental design for a microwave stack tray, as shown.

[58] **Field of Search** D7/550, 559, 501, D7/505, 590, 558, 610, 547, 698, 543, 552, 554, 555; D6/477, 479, 460, 461, 405, 403; 206/503; D3/25

DESCRIPTION

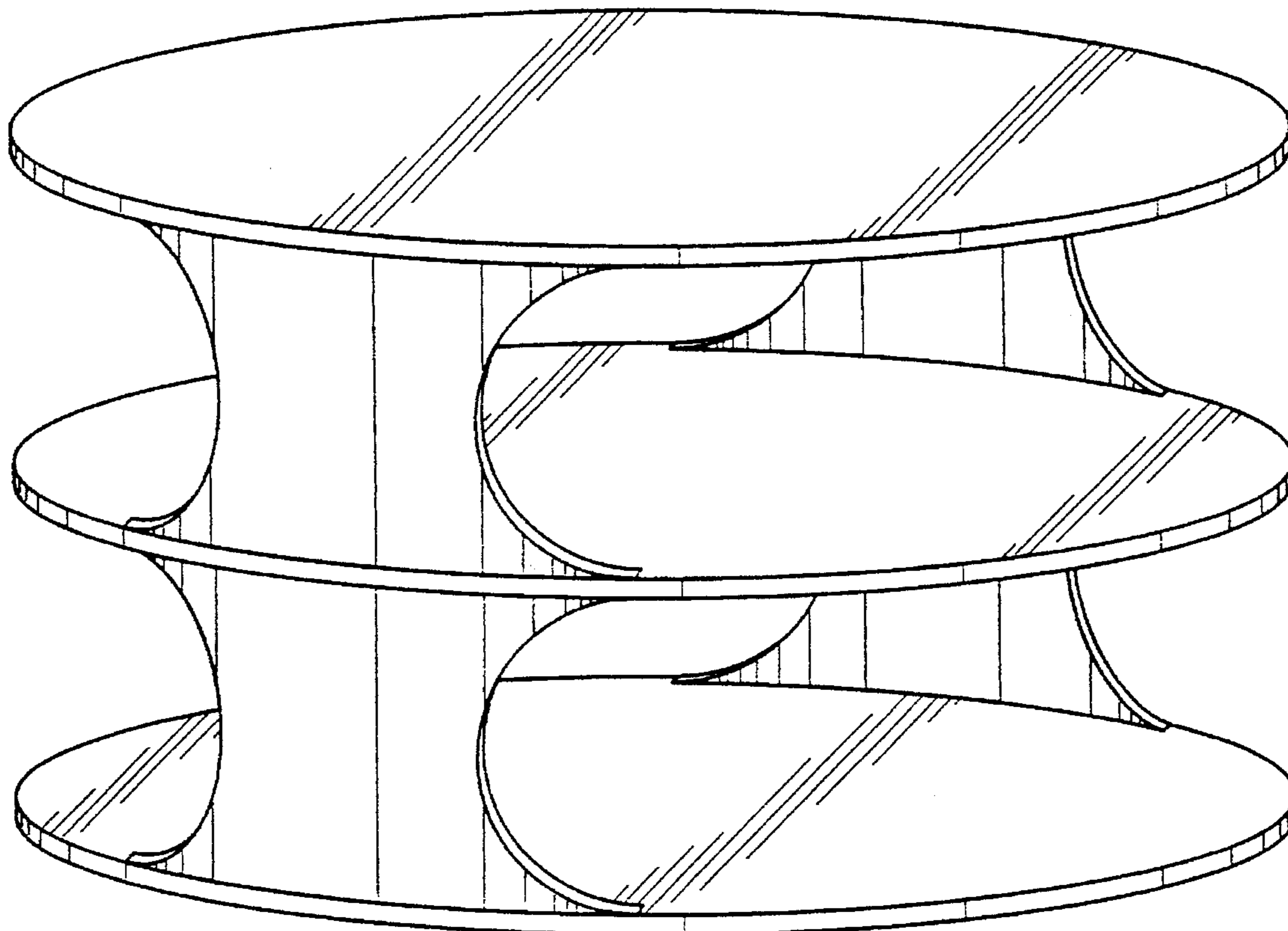
FIG. 1 is a perspective view of a microwave stack tray, showing our new design;
FIG. 2 is a front view thereof;
FIG. 3 is a right side view thereof;
FIG. 4 is a top view thereof; and,
FIG. 5 is a bottom view thereof.

[56] References Cited

U.S. PATENT DOCUMENTS

D. 200,117	1/1965	Kolarik	D7/590
D. 272,212	1/1984	Daenen et al.	D7/505
D. 288,878	3/1987	Munson	D6/477 X

1 Claim, 4 Drawing Sheets



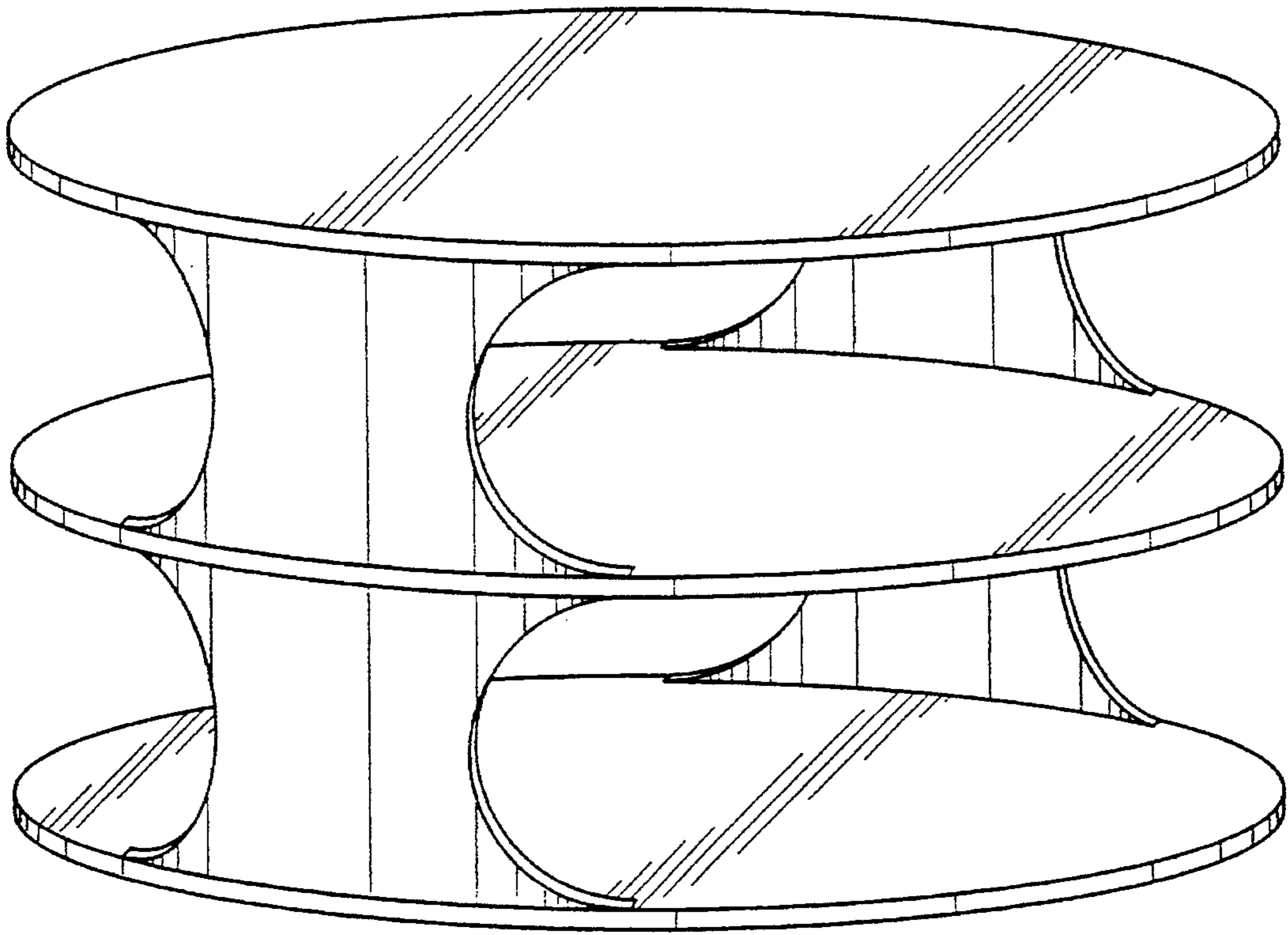


FIG. 1

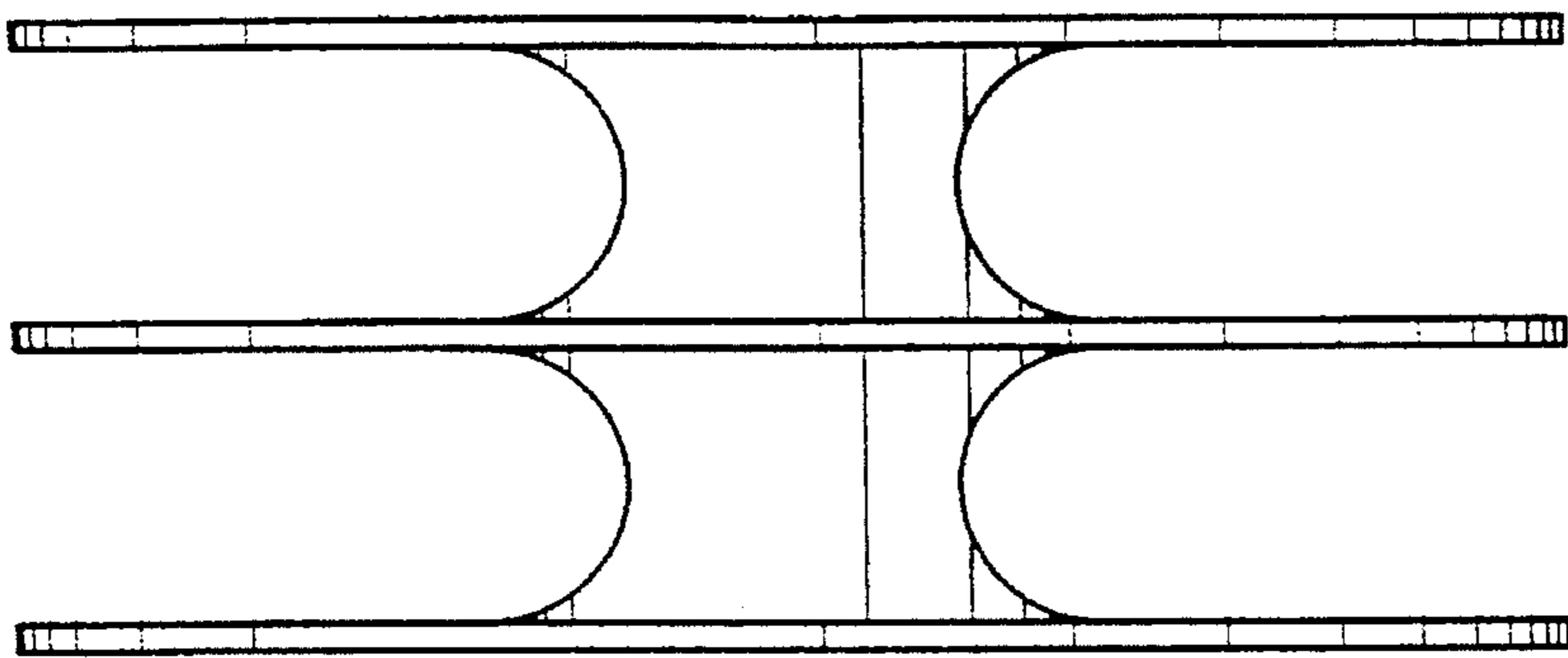


FIG. 2

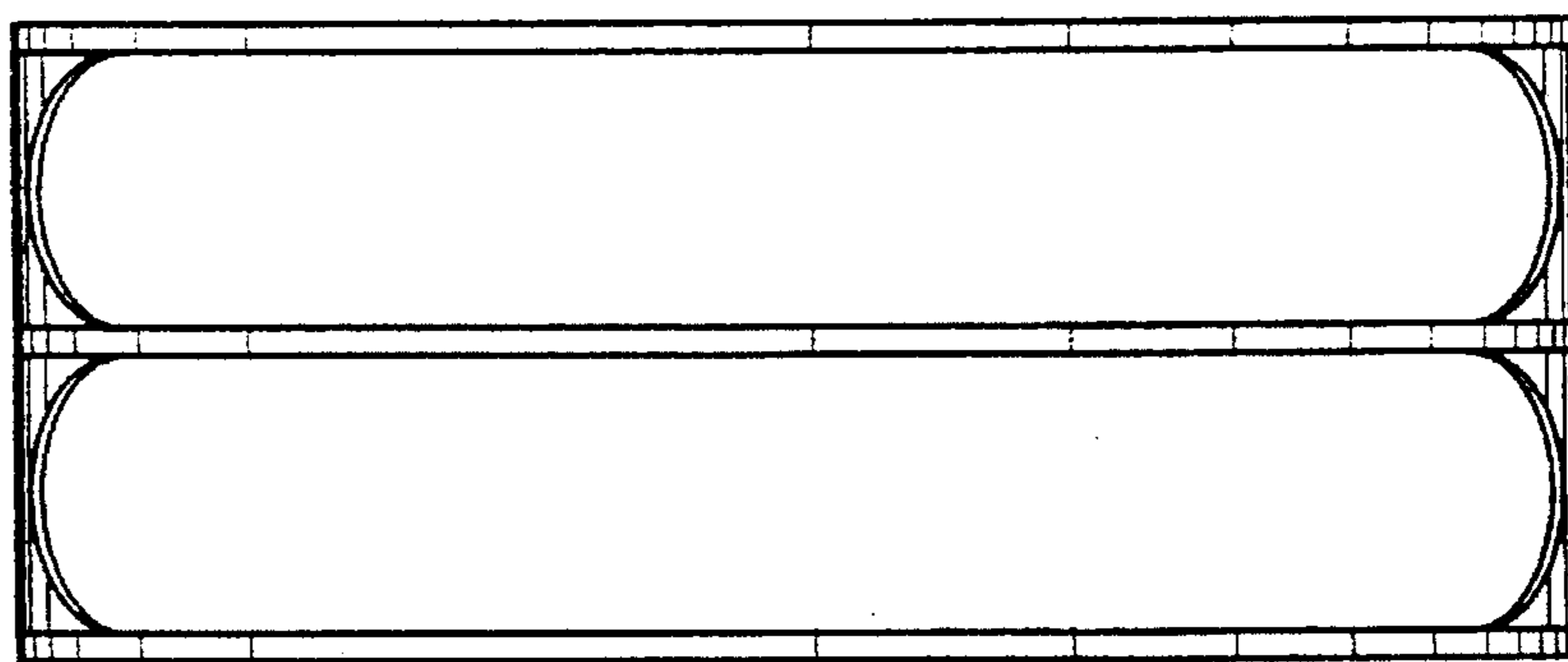
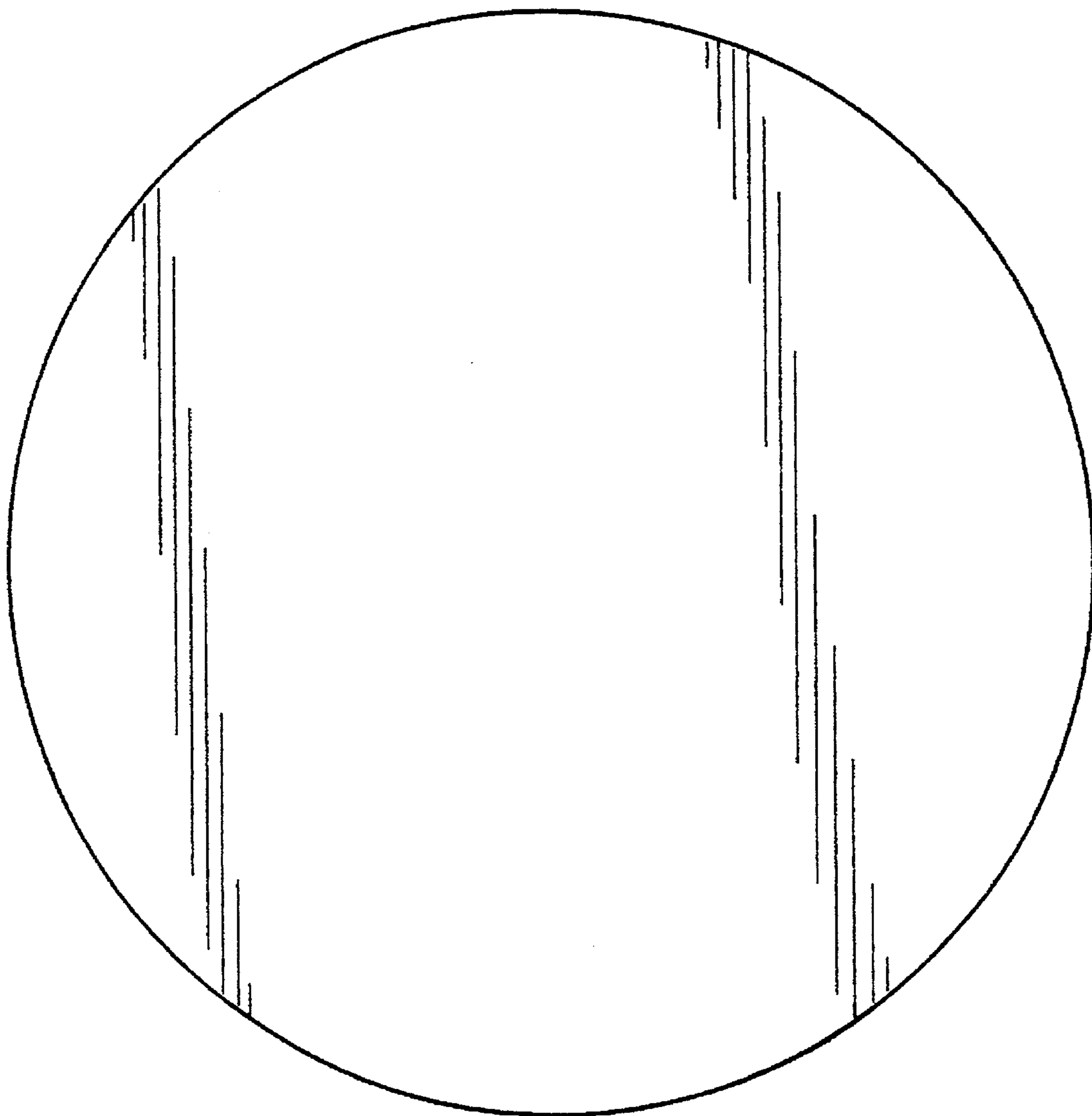


FIG. 3

FIG. 4



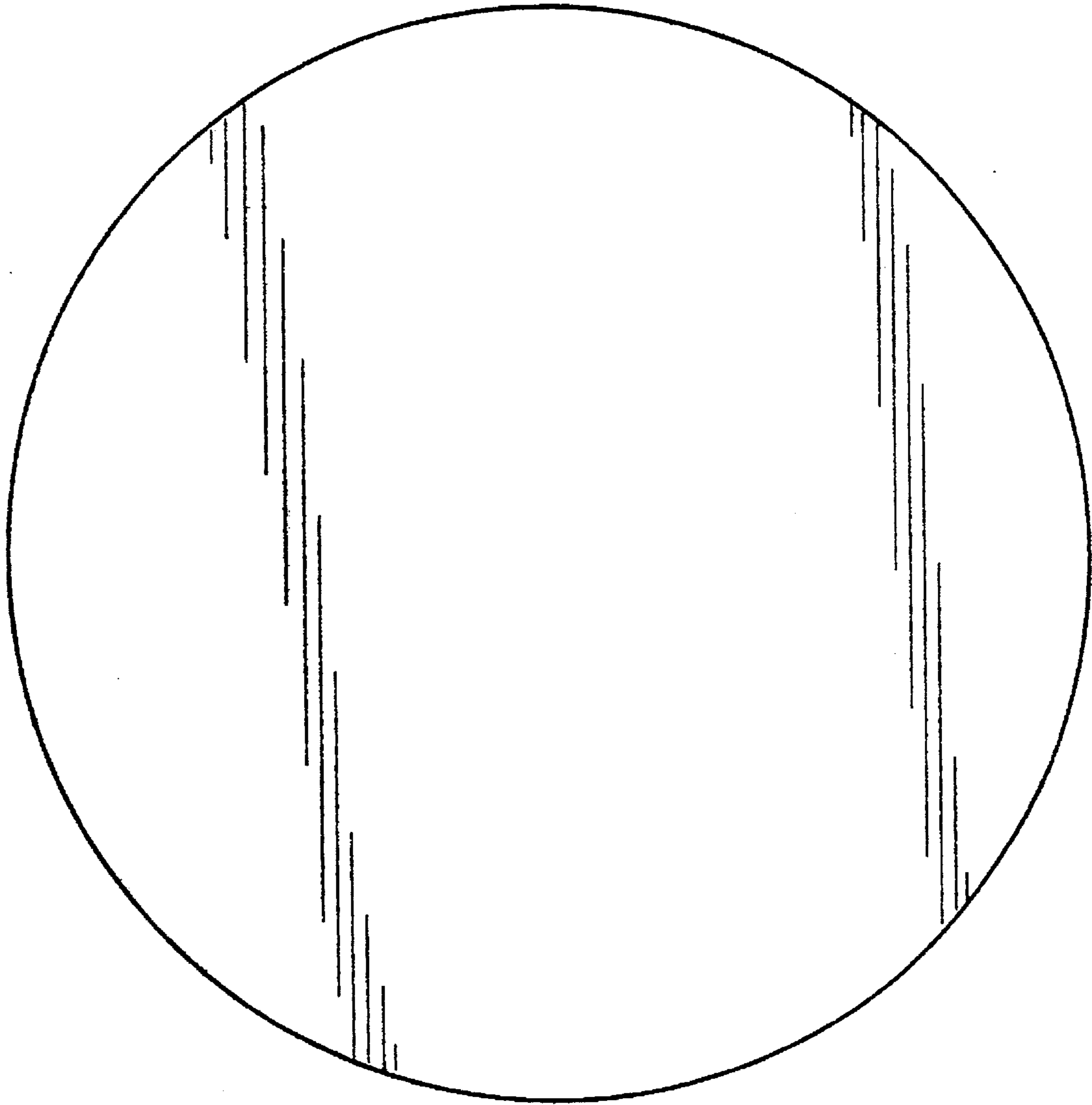


FIG. 5