



US00D373707S

United States Patent [19]

[11] Patent Number: **Des. 373,707**

Seaburg

[45] Date of Patent: ****Sep. 17, 1996**

[54] CUP
[76] Inventor: **Stephen L. Seaburg**, 4001 Cedar Run Rd., Traverse City, Mich. 49684
[**] Term: **14 Years**

2,215,691 9/1940 East 45/136
3,261,494 7/1966 Walker, Jr. 220/505 X
3,288,344 11/1966 Woolen et al. 229/7
3,820,656 6/1974 Orr 220/505 X
4,703,849 11/1987 Vezirian 206/217
5,176,283 1/1993 Patterson et al. 220/574
5,405,030 4/1995 Frazier 215/6

[21] Appl. No.: **45,542**
[22] Filed: **Oct. 23, 1995**
[52] U.S. Cl. **D7/513; D7/536**
[58] Field of Search D7/507, 509, 510, D7/511, 513, 514, 515, 523, 530, 531, 532, 533, 534, 535, 536; 220/671, 672, 705, 709, 505

FOREIGN PATENT DOCUMENTS

355321 of 1931 Australia 220/505

Primary Examiner—M. N. Pandozzi
Attorney, Agent, or Firm—Joseph K. Andonian

[56] References Cited

U.S. PATENT DOCUMENTS

149,887 4/1874 Sawyer .
185,791 12/1876 Smith .
D. 219,675 1/1971 Davis D7/535
258,777 5/1882 Leonard .
D. 277,354 1/1985 Levine .
D. 282,615 2/1986 Levine D7/513
D. 283,385 4/1986 Mansueto D7/513
D. 283,386 4/1986 Mansueto D7/513
D. 283,476 4/1986 Mansueto D7/513
D. 295,009 4/1988 Mansueto D7/513
962,641 6/1910 Kaufmann .
1,276,018 8/1918 Blaetus D7/507
1,590,572 6/1926 Fredetie 220/505 X

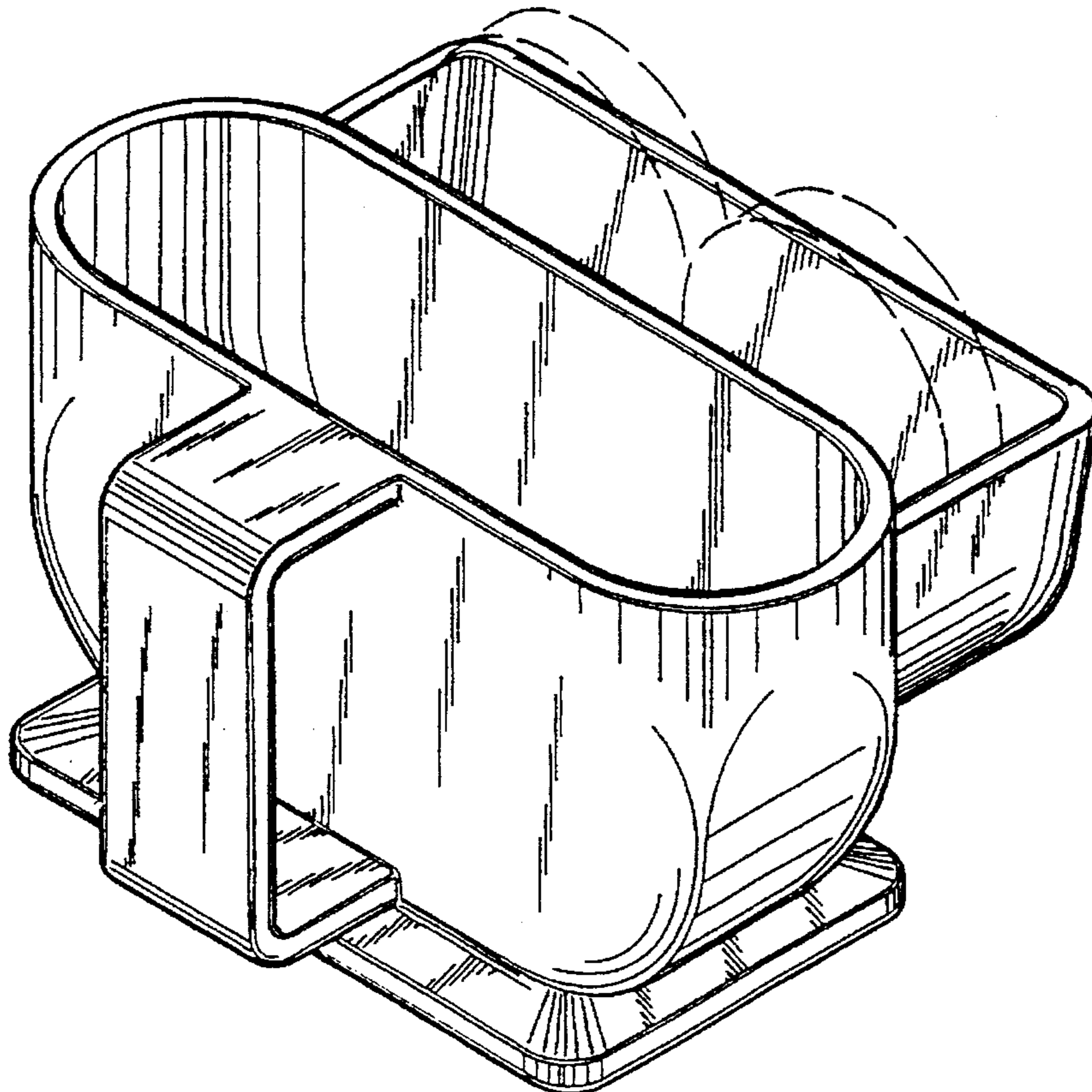
[57] CLAIM

The ornamental design for a cup, as shown and described.

DESCRIPTION

FIG. 1 is a perspective view of a cup showing my new design;
FIG. 2 is a side elevational view of the cup;
FIG. 3 is a rear elevational view of the cup;
FIG. 4 is a front elevational view of the cup;
FIG. 5 is a top plan view of the cup; and,
FIG. 6 is a bottom plan view of the cup.
The broken line showing of two cookies in FIG. 1 is for illustrative purposes only and forms no part of the claimed design.

1 Claim, 2 Drawing Sheets



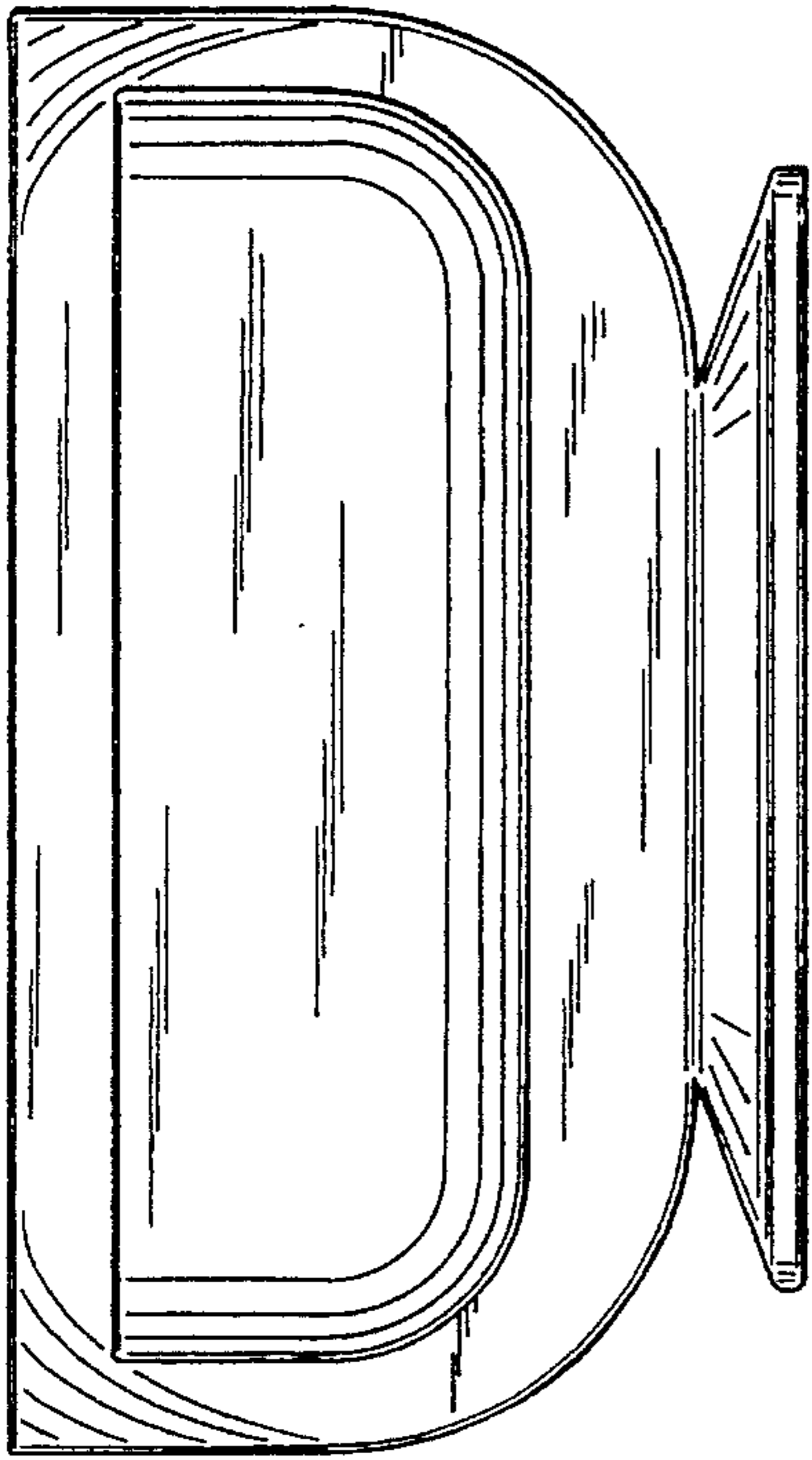


FIG. 3

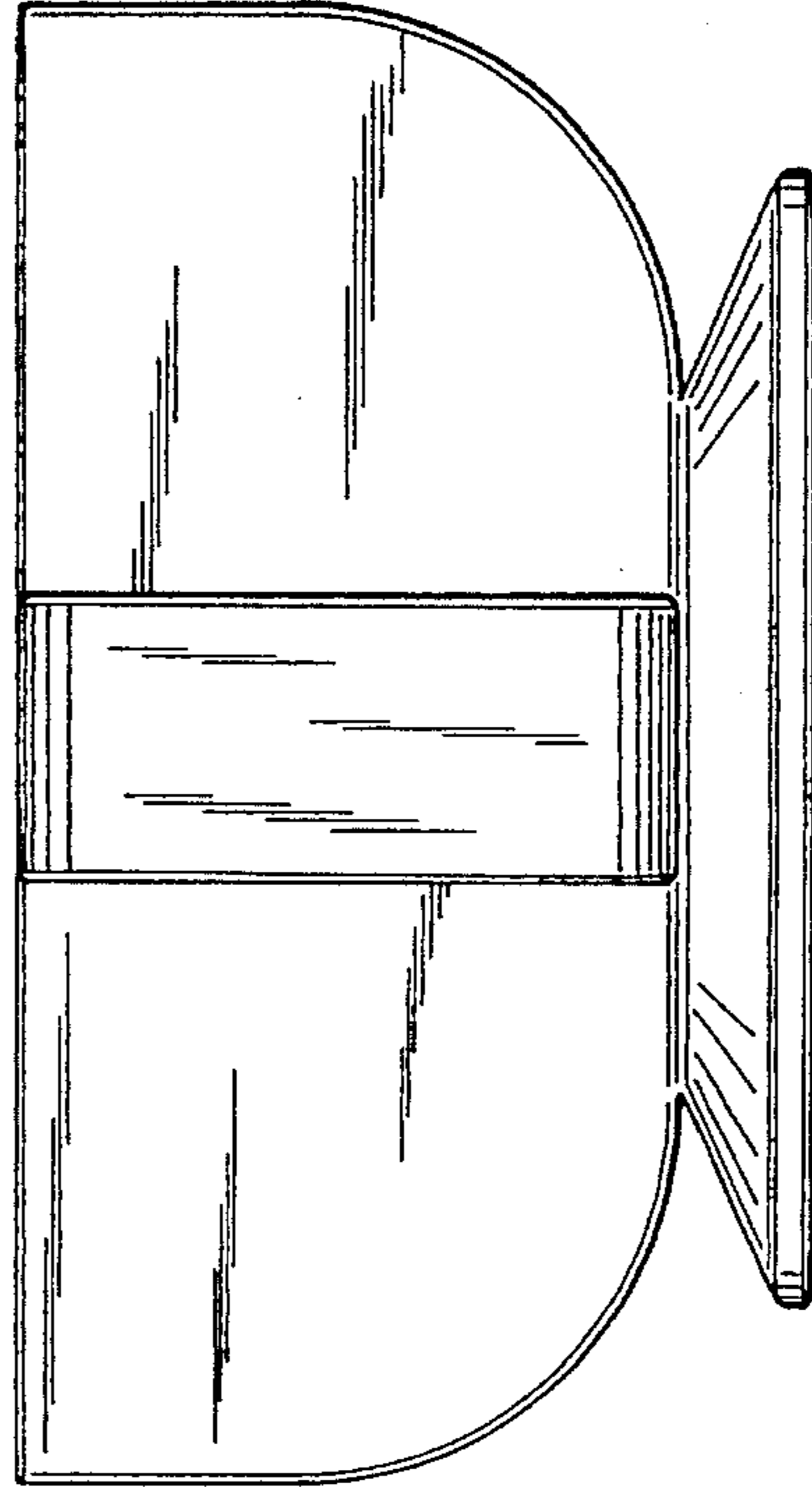


FIG. 4

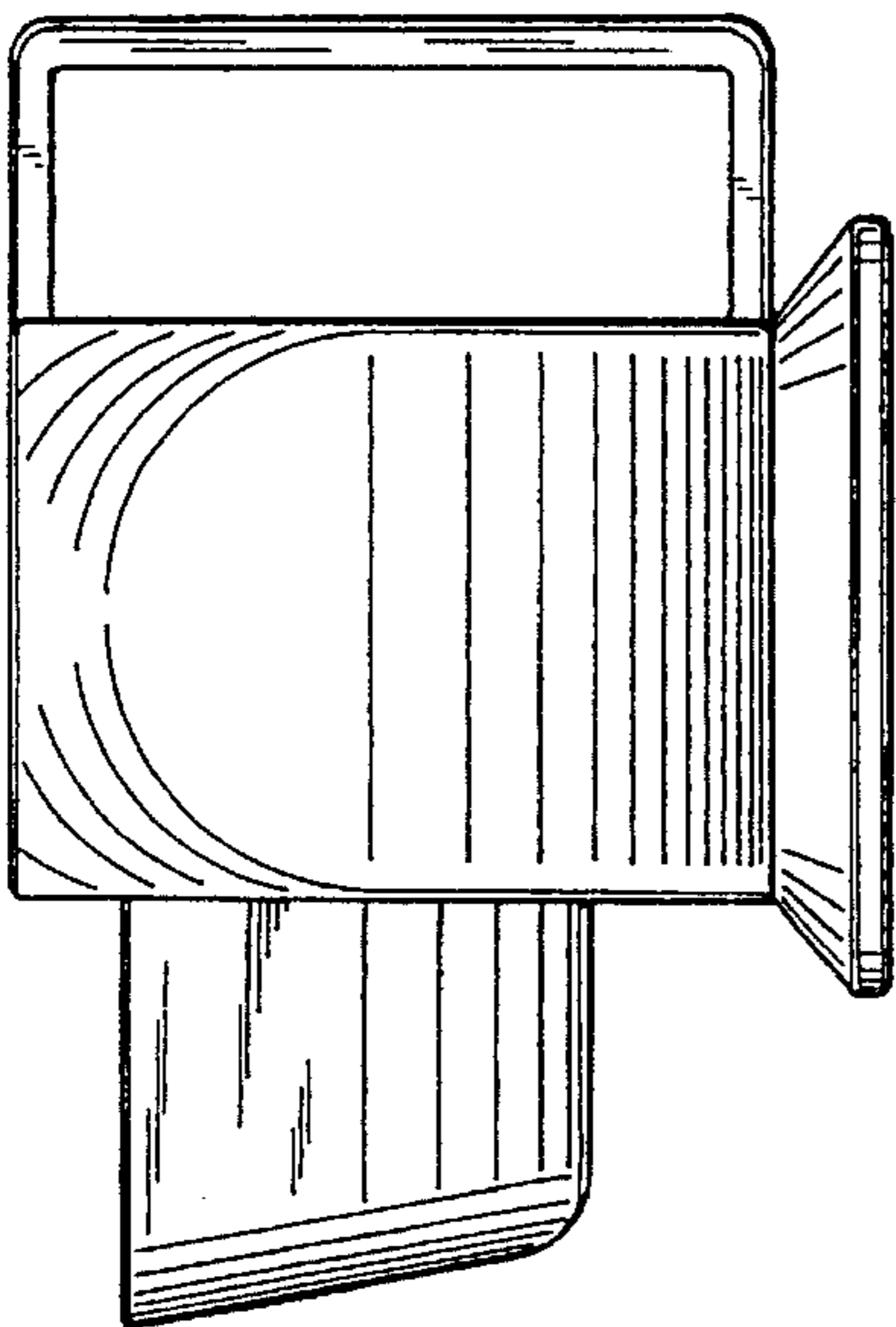


FIG. 2

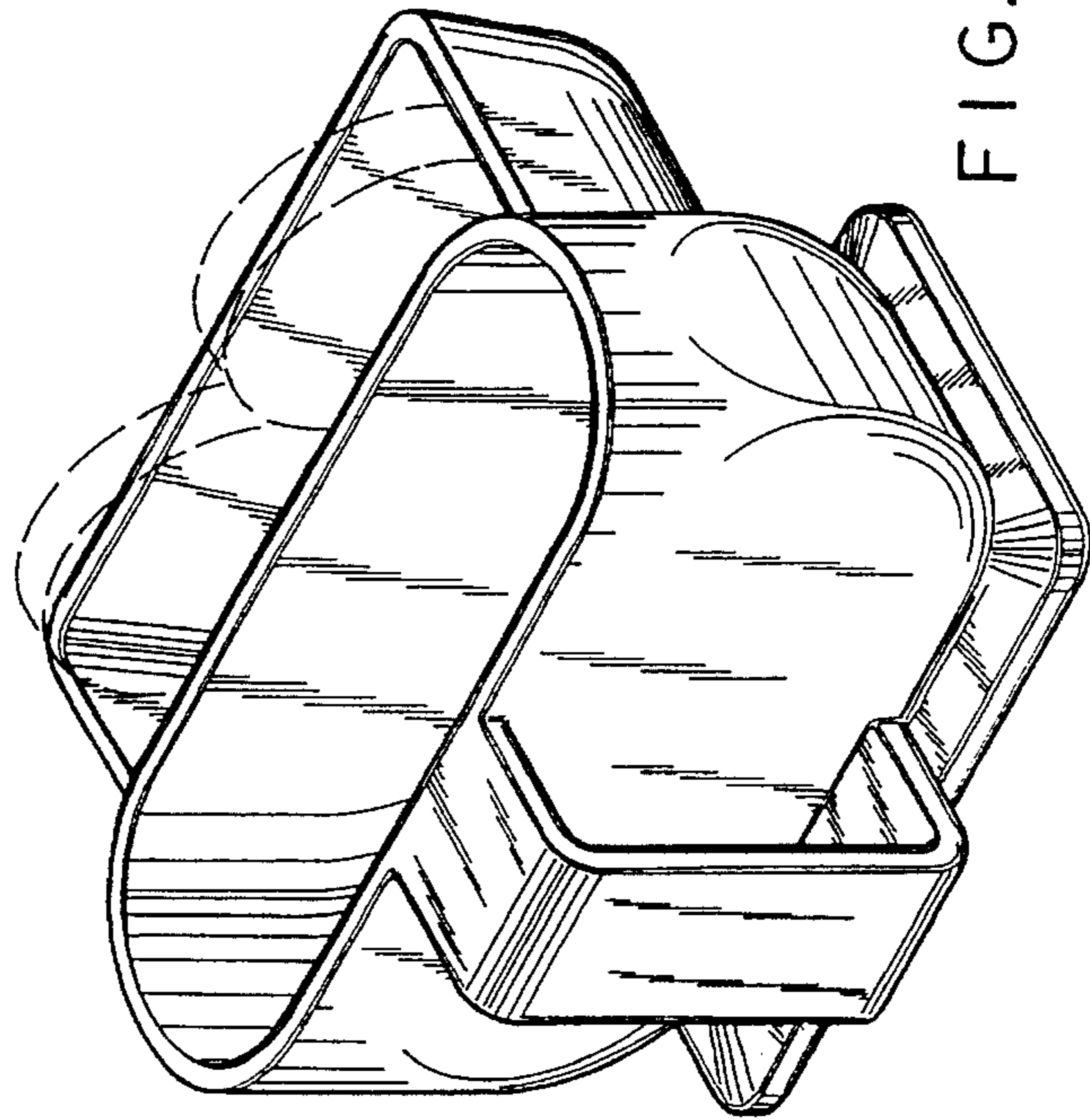


FIG. 1

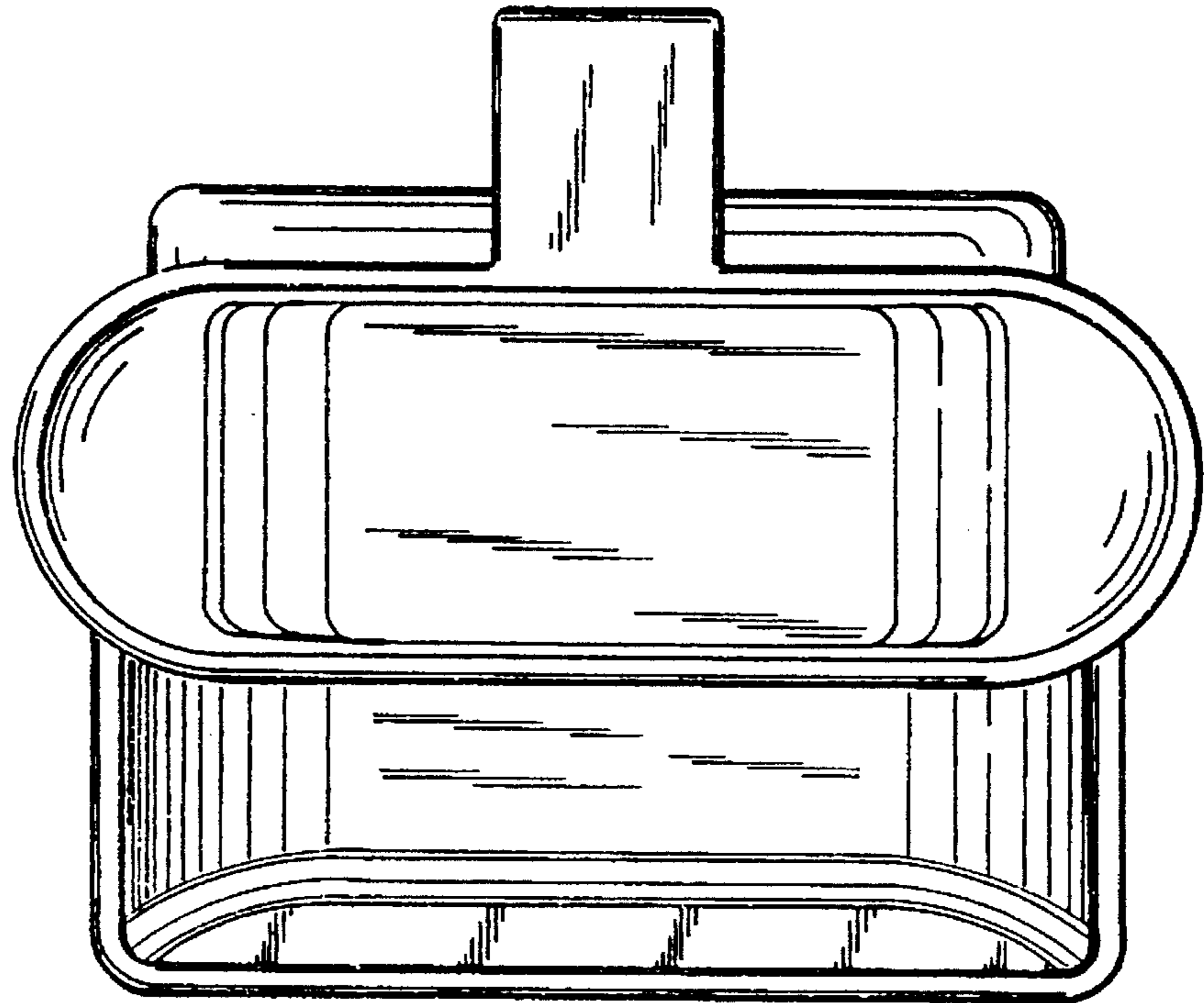


FIG. 5

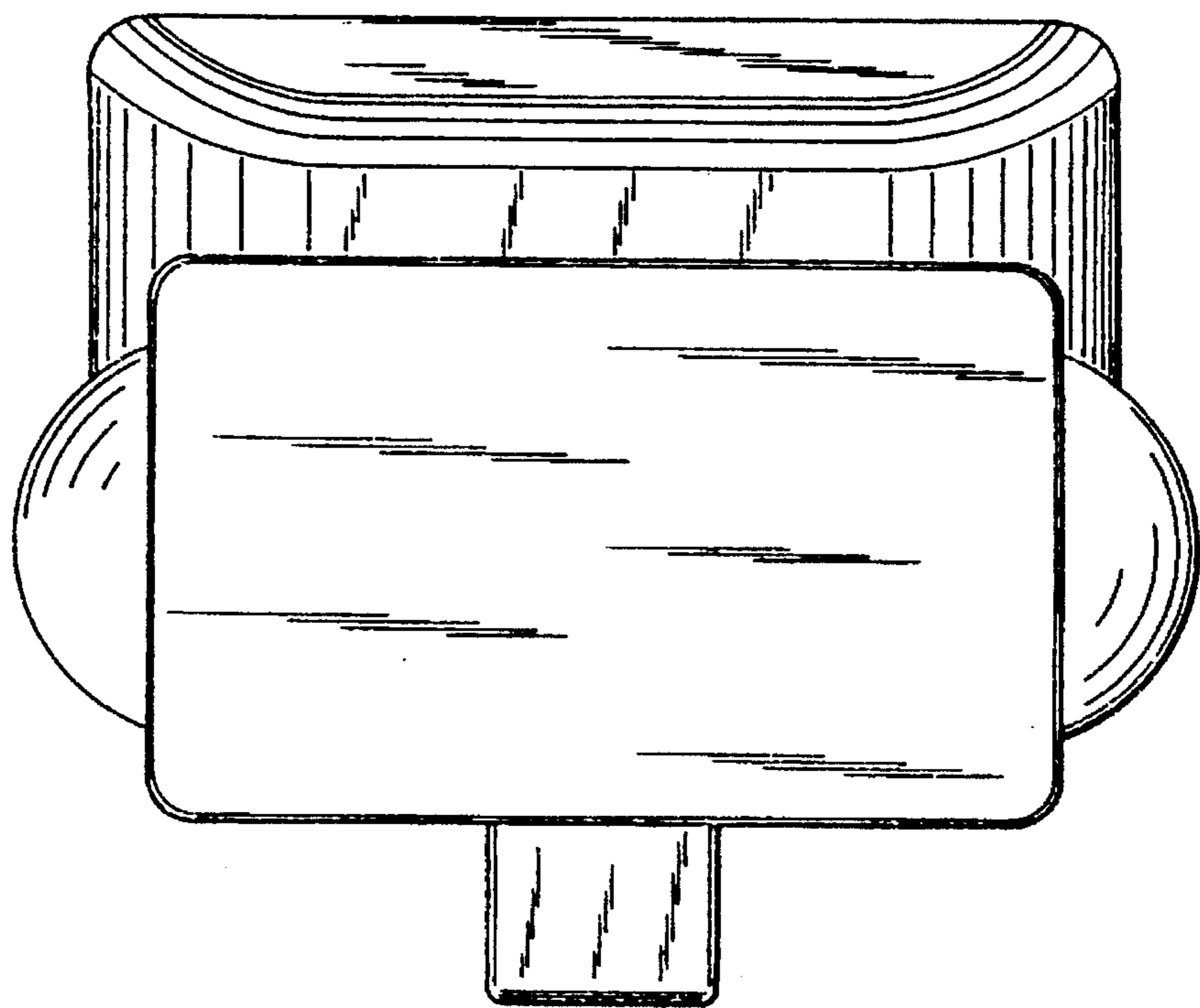


FIG. 6