



US00D373706S

United States Patent [19]
Gregg

[11] **Patent Number: Des. 373,706**
[45] **Date of Patent: **Sep. 17, 1996**

[54] **PORTABLE FLUID CONTAINER**
[76] Inventor: **Ron Gregg**, 1000 First Ave. South,
Seattle, Wash. 98134
[**] Term: **14 Years**
[21] Appl. No.: **36,099**
[22] Filed: **Mar. 13, 1995**
[52] U.S. Cl. **D7/511; D7/531; D9/559;**
D9/446
[58] **Field of Search** **D7/300.1, 300.2,**
D7/306, 507, 509, 510, 511, 512, 513,
514, 515, 523, 527, 530, 531, 533, 617,
622, 623; D9/341, 347, 524, 559, 546,
453, 503, 446; 220/671; 215/388; D28/76

5,105,958 4/1992 Patton 215/388
5,277,325 1/1994 Yan D9/446 X

OTHER PUBLICATIONS

Preserve Jar (center) Owens-Illinois Glass Co. Catalog.
Primary Examiner—M. N. Pandozzi

[57] **CLAIM**

The ornamental design for a portable fluid container, as shown and described.

DESCRIPTION

FIG. 1 is an isometric projection of a portable fluid container showing my new design;
FIG. 2 is a front elevational view thereof;
FIG. 3 is a top plan view thereof;
FIG. 4 is a bottom plan view thereof;
FIG. 5 is a lower front exploded isometric projection showing the cap removed from the container;
FIG. 6 is an upper exploded isometric projection showing the cap removed; and,
FIG. 7 is an exploded side elevation view showing the cap removed.

[56] **References Cited**

U.S. PATENT DOCUMENTS

D. 268,650 4/1983 Kirstine D9/453 X
D. 279,511 7/1985 Matsubara et al. D9/559 X
D. 292,881 11/1987 Thompson D9/503
D. 333,789 3/1993 Reif D9/453 X
D. 342,449 12/1993 Mattheis D9/446
5,048,705 9/1991 Lynd et al. 215/388

1 Claim, 3 Drawing Sheets

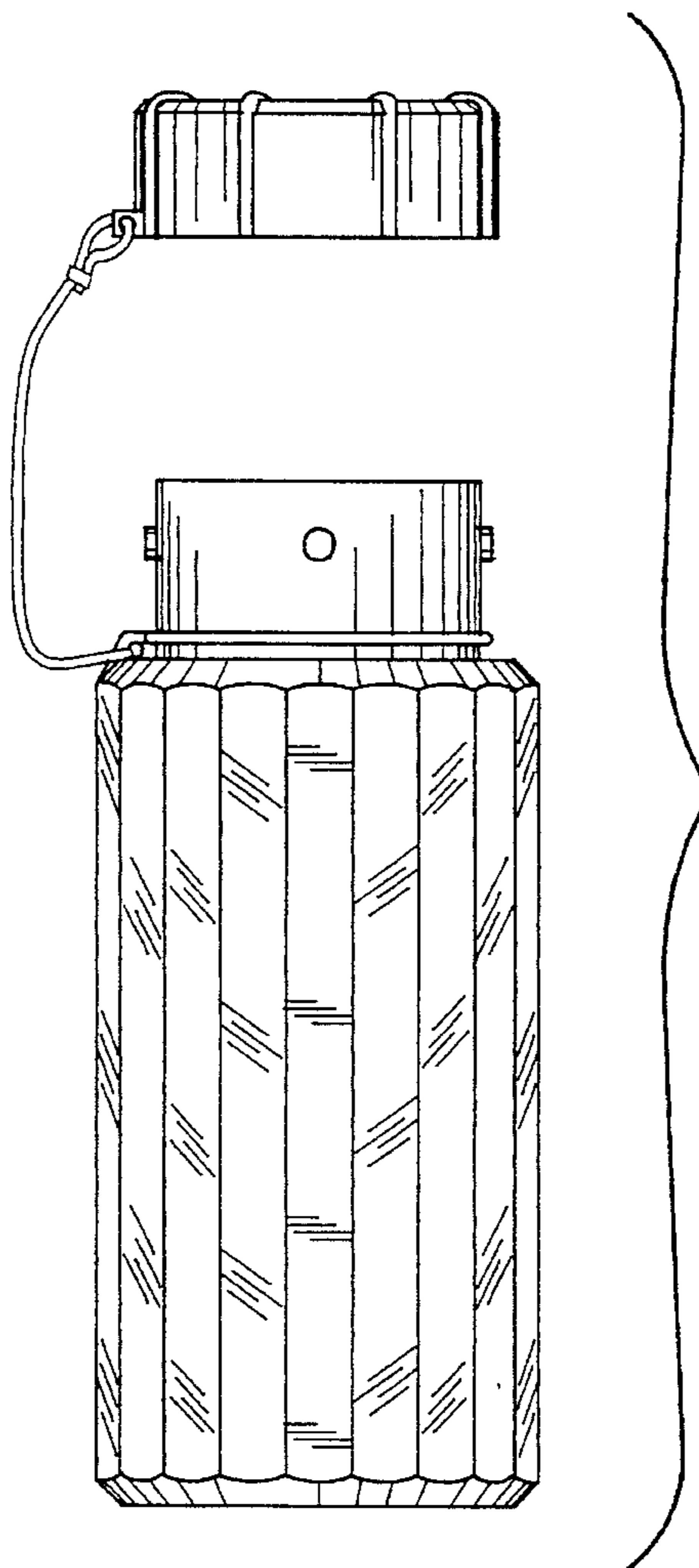


FIG. 1

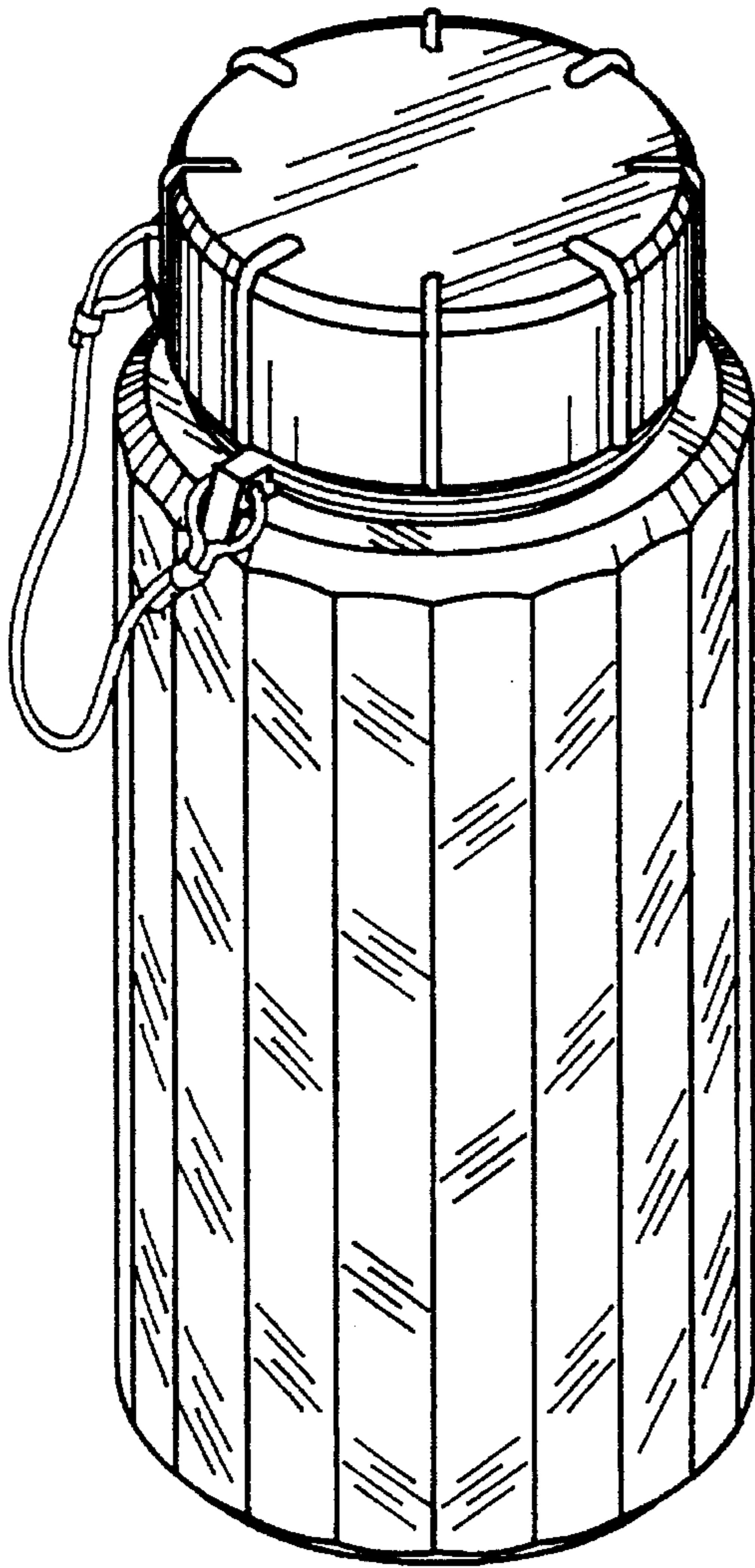


FIG. 2

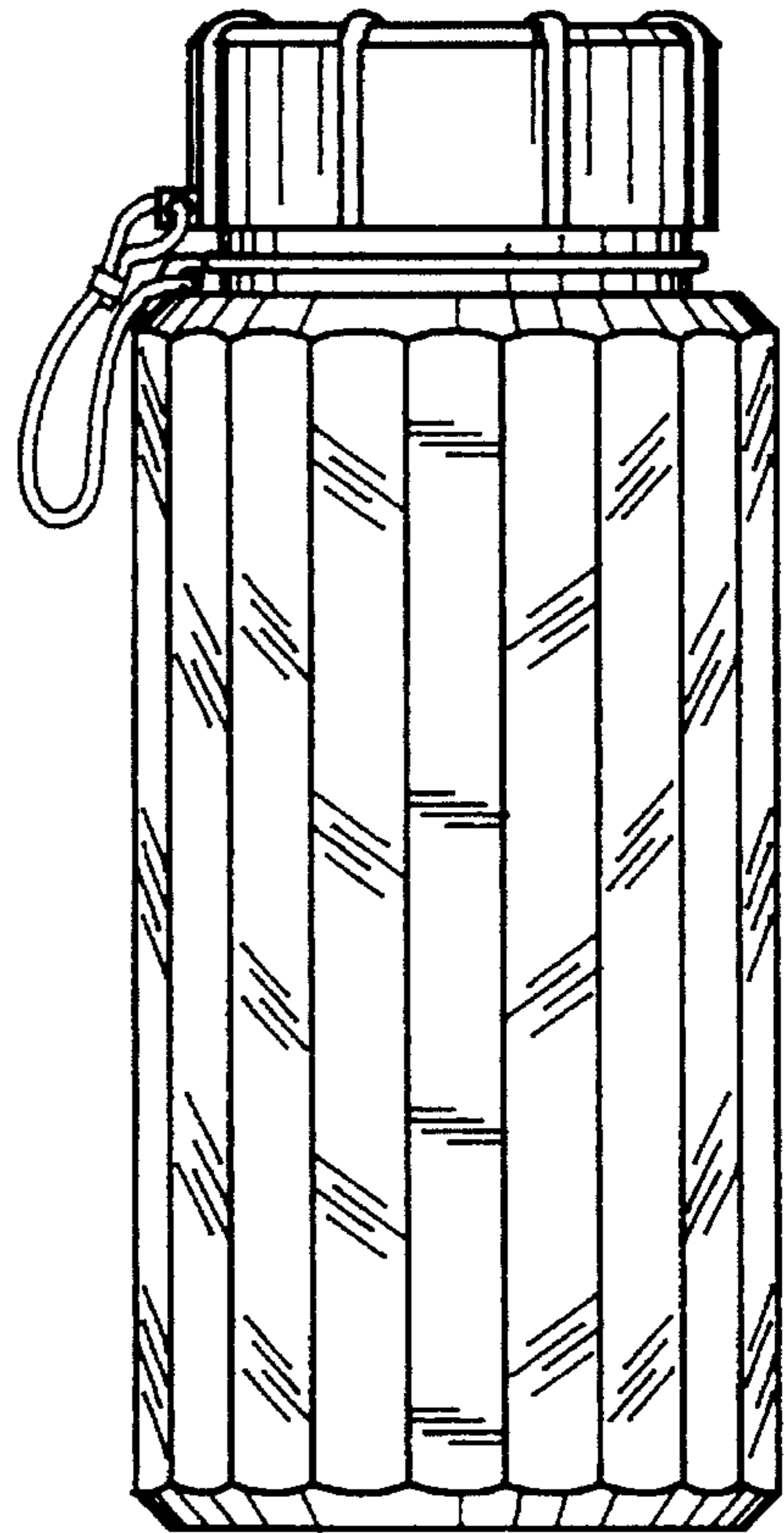


FIG. 3

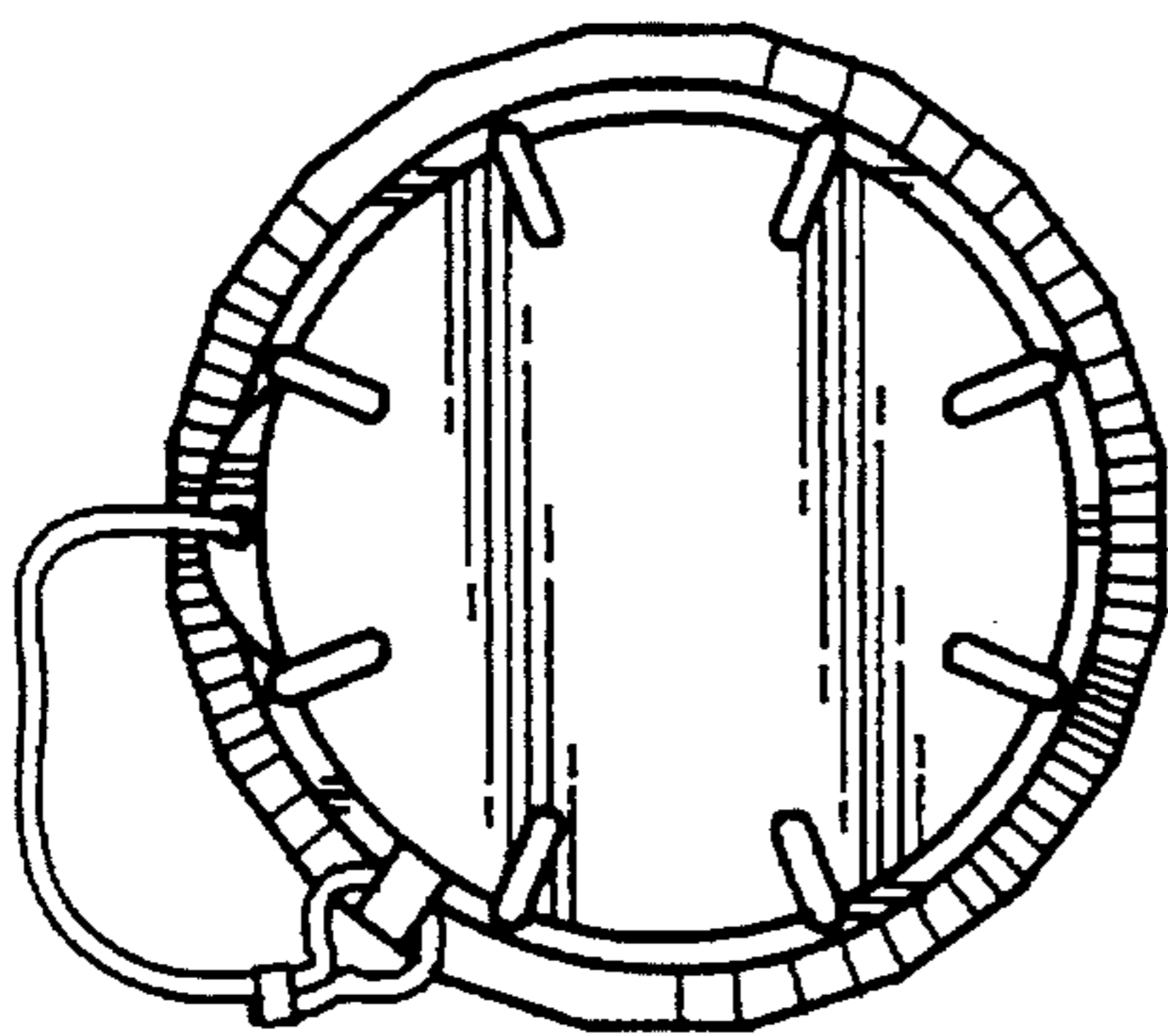


FIG. 4

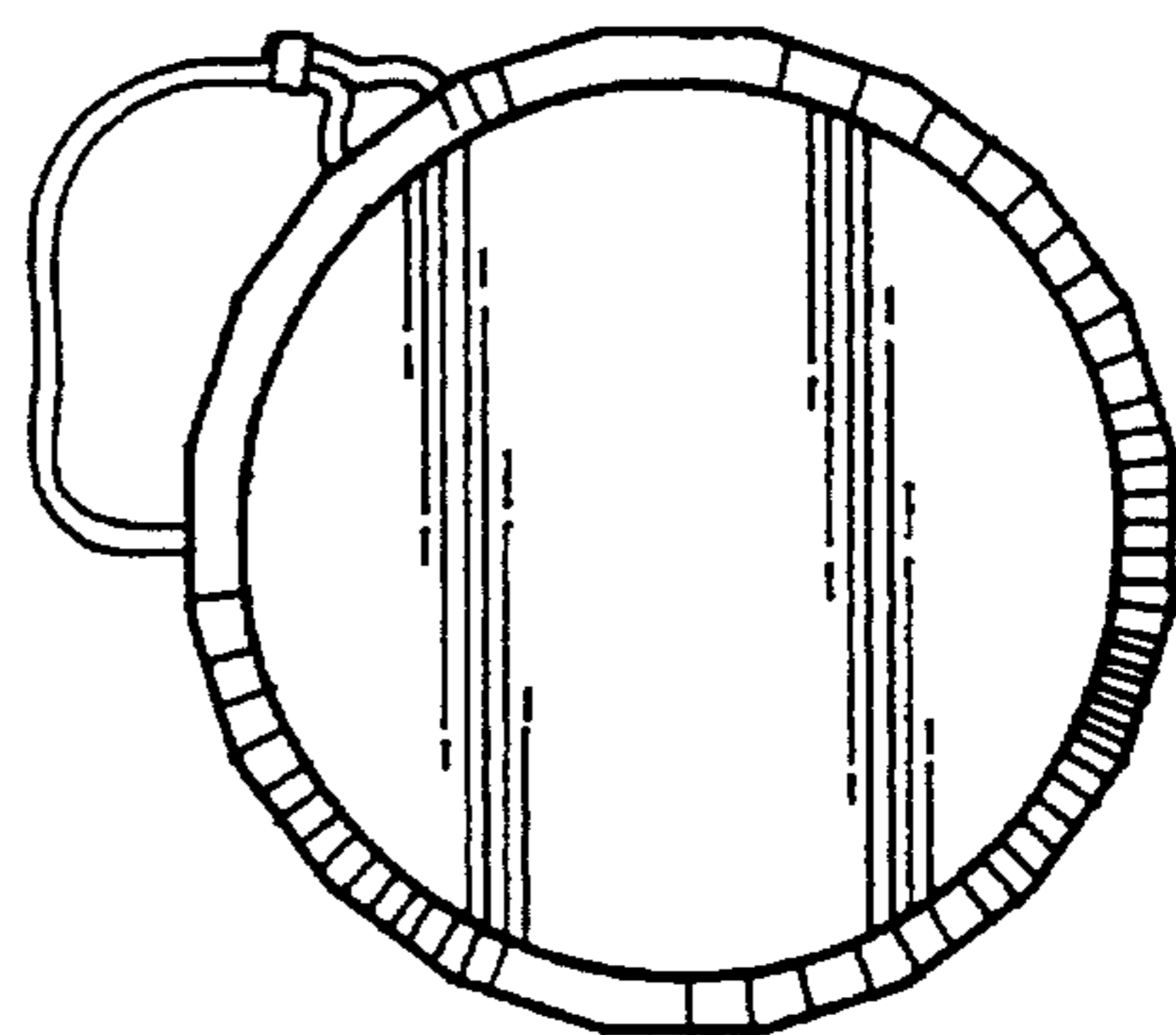


FIG. 5

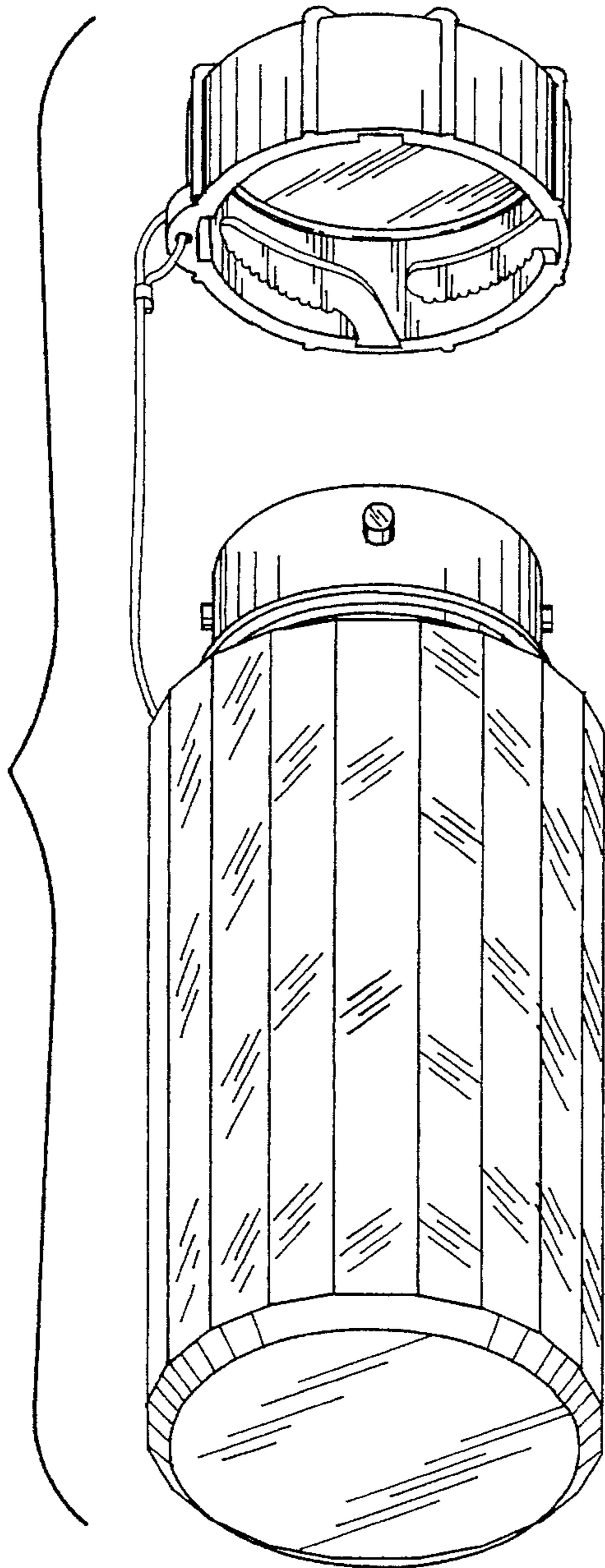


FIG. 6

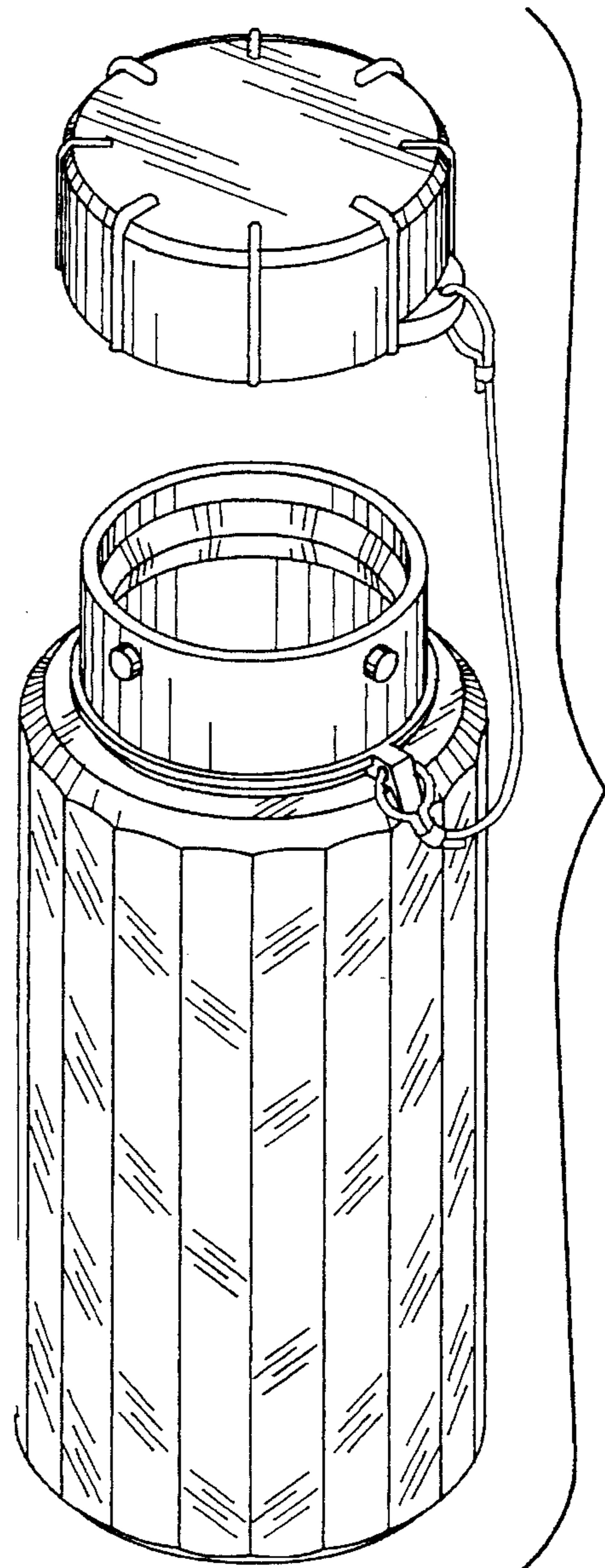


FIG. 7

