



US00D373705S

United States Patent [19]
Austin

[11] **Patent Number: Des. 373,705**
[45] **Date of Patent: **Sep. 17, 1996**

[54] **NON-CHOKE ACCESSORY FOR USE WITH EATING UTENSILS**

[76] Inventor: **Holly E. Austin**, 56 Main St., P.O. Box 232, East Templeton, Mass. 01438

[**] Term: **14 Years**

[21] Appl. No.: **6,621**

[22] Filed: **Apr. 2, 1993**

[52] U.S. Cl. **D7/401.2**

[58] Field of Search D7/642, 643, 645, D7/649, 653, 662, 663, 664, 401.2, 657; 30/323, 326, 142, 285, 295, 298.4

[56] **References Cited**

U.S. PATENT DOCUMENTS

D. 271,739	12/1983	Jagger	D7/664
D. 339,036	9/1993	McDaniel	D7/643 X
2,045,192	6/1936	Kuhar	30/298.4
2,748,479	6/1956	Levine	30/323
2,789,349	4/1957	Lee	30/295
3,839,793	10/1974	Crapio	D7/657
4,993,156	2/1991	Craven	D7/664

FOREIGN PATENT DOCUMENTS

2380754	10/1978	France	30/285
9006709	6/1990	WIPO	30/142

Primary Examiner—Nelson C. Holtje
Assistant Examiner—Caron D. Veynar
Attorney, Agent, or Firm—Terry M. Gernstein

[57] **CLAIM**

The ornamental design for a non-choke accessory for use with eating utensils, as shown and described.

DESCRIPTION

FIG. 1 is a front, top and side perspective view of the non-choke accessory for use with eating utensils showing my new design.

FIG. 2 is a front elevational view thereof.

FIG. 3 is a rear elevational view thereof.

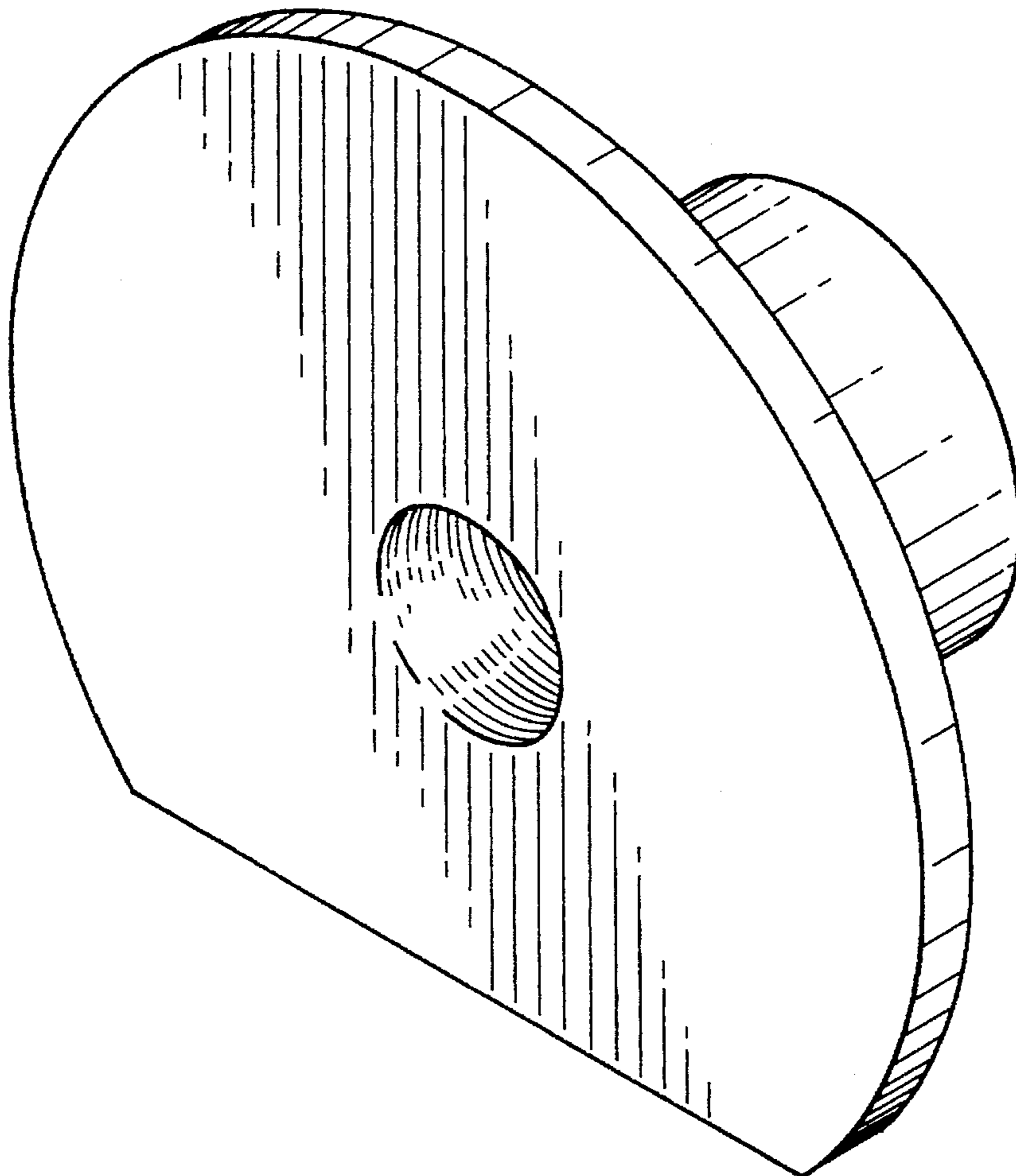
FIG. 4 is a side elevational view thereof, the side opposite being a mirror image of the side shown in FIG. 4.

FIG. 5 is a top plan view thereof; and,

FIG. 6 is a bottom view thereof.

The broken line showing of a spoon is for illustrative purposes only and forms no part of the claimed design.

1 Claim, 4 Drawing Sheets



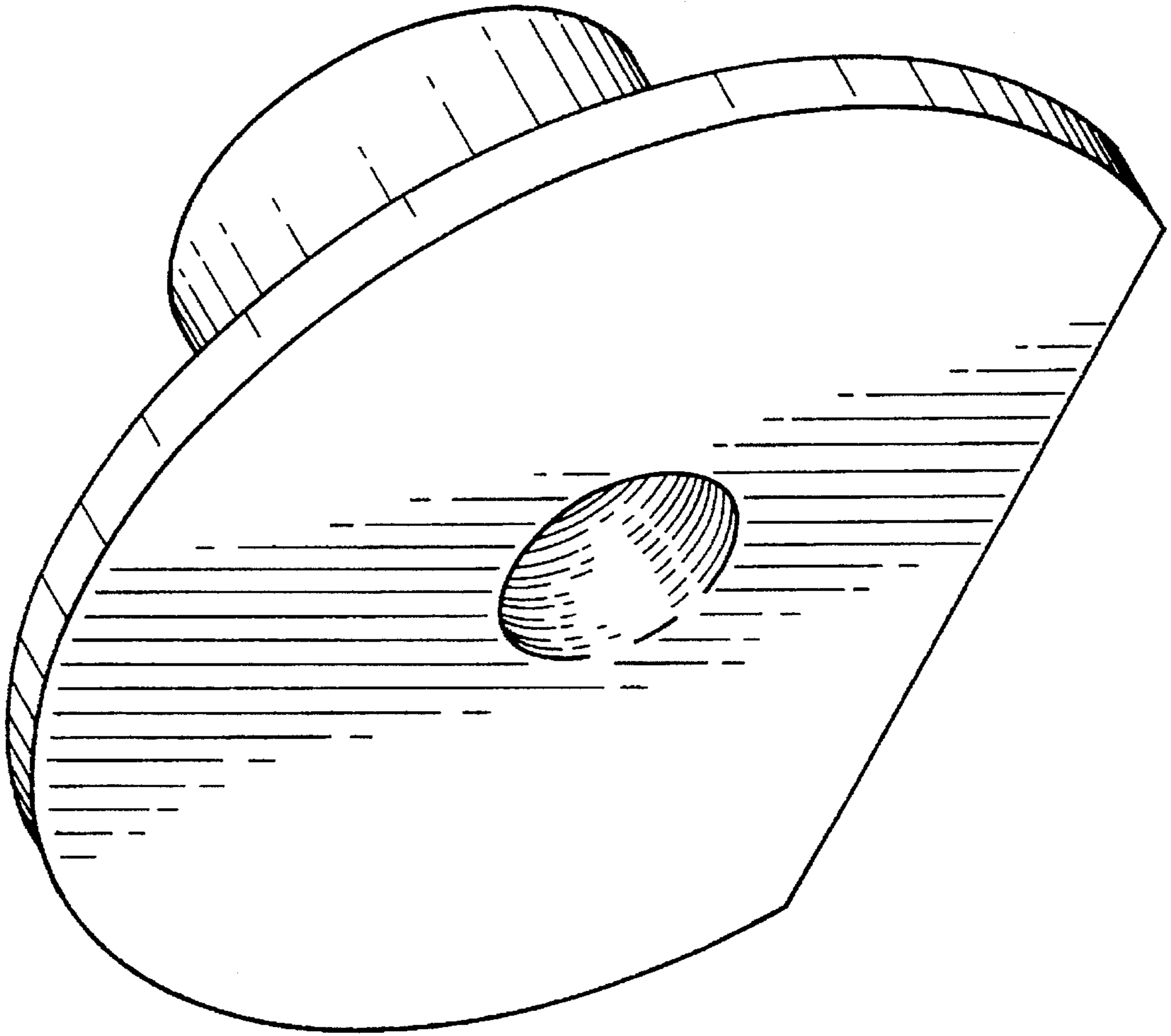


FIG.1

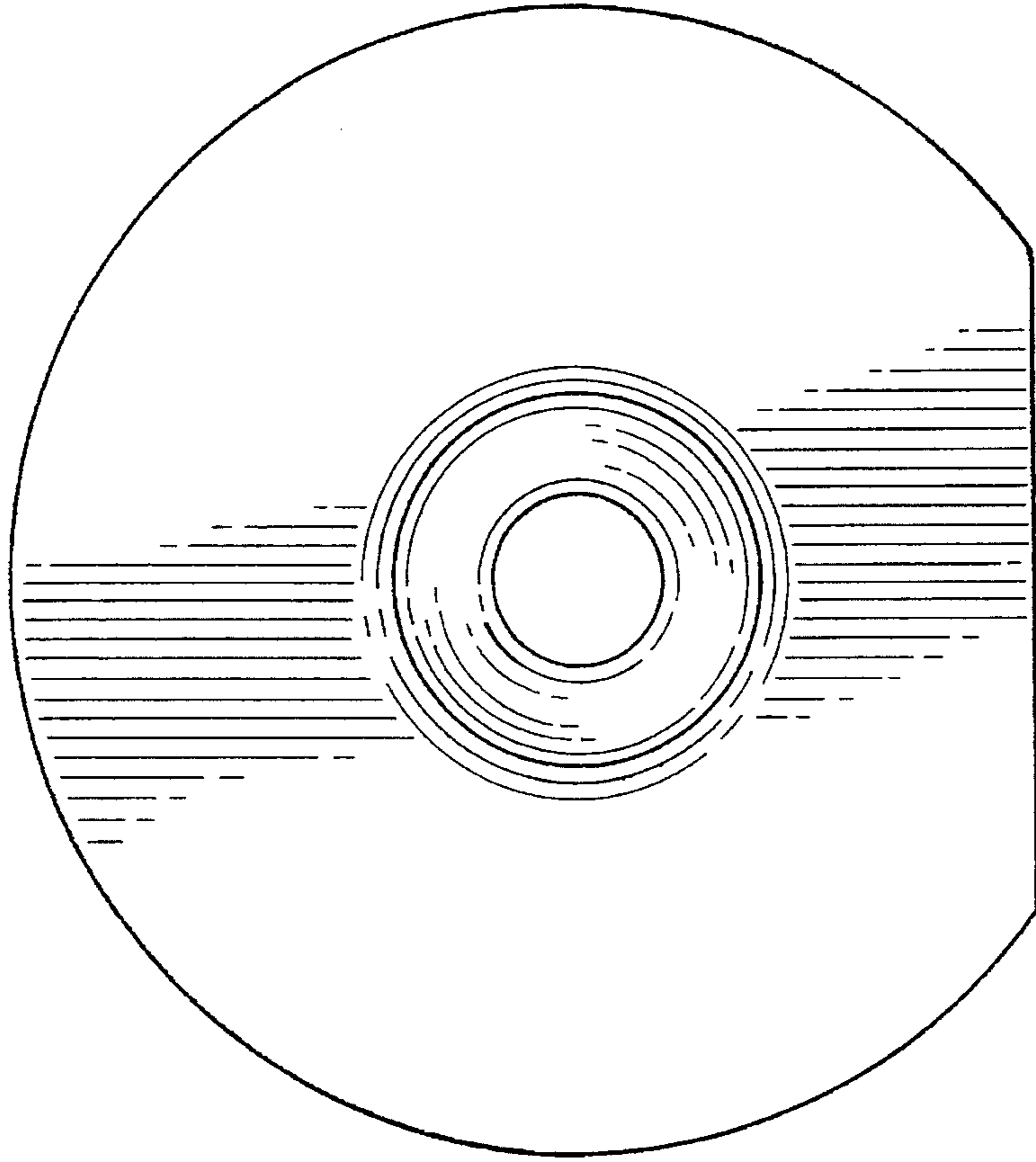


FIG. 3

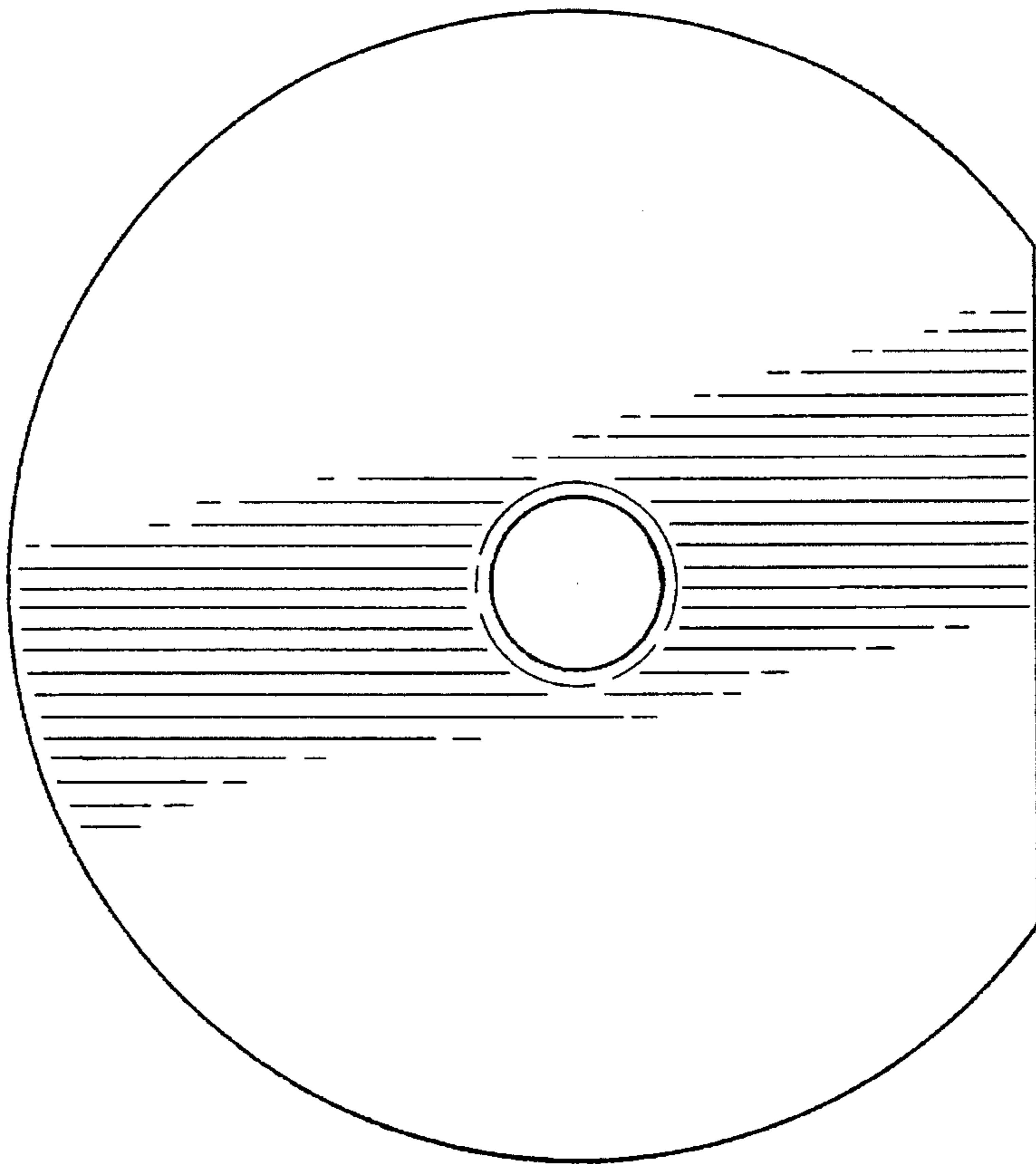


FIG. 2

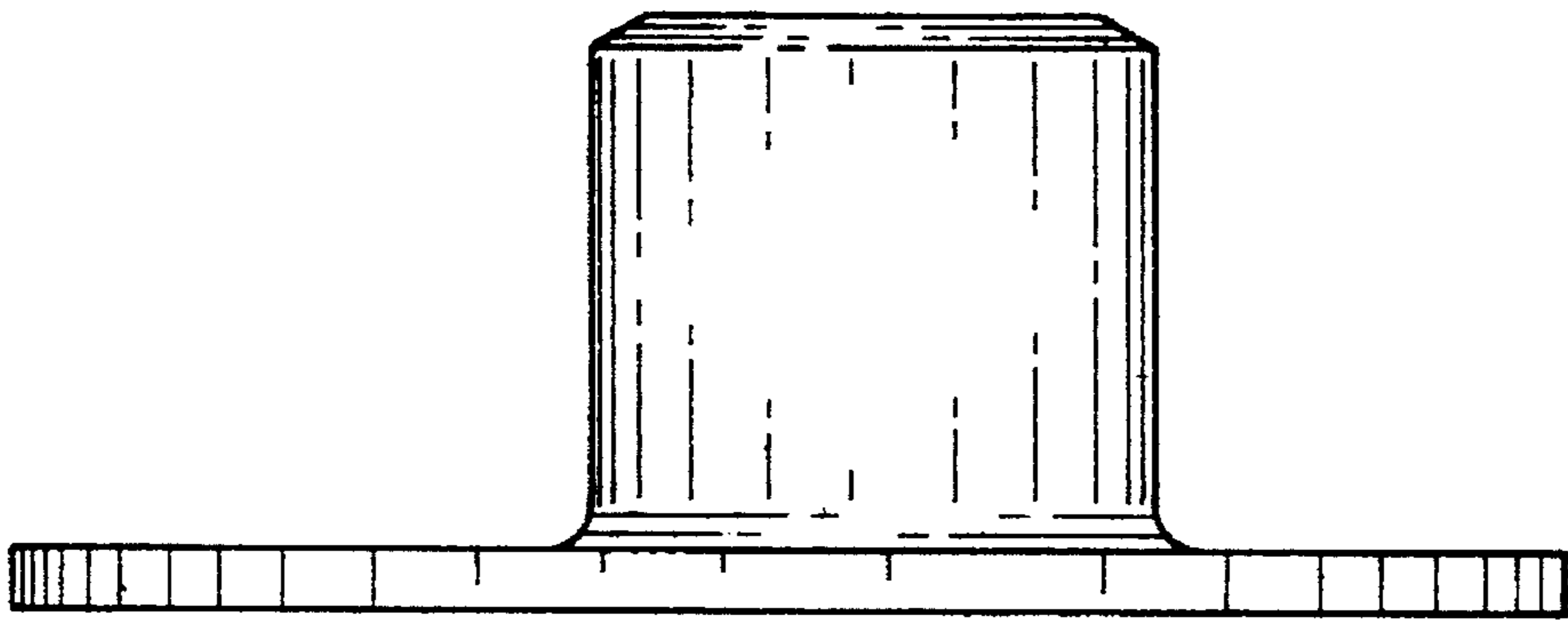


FIG. 4

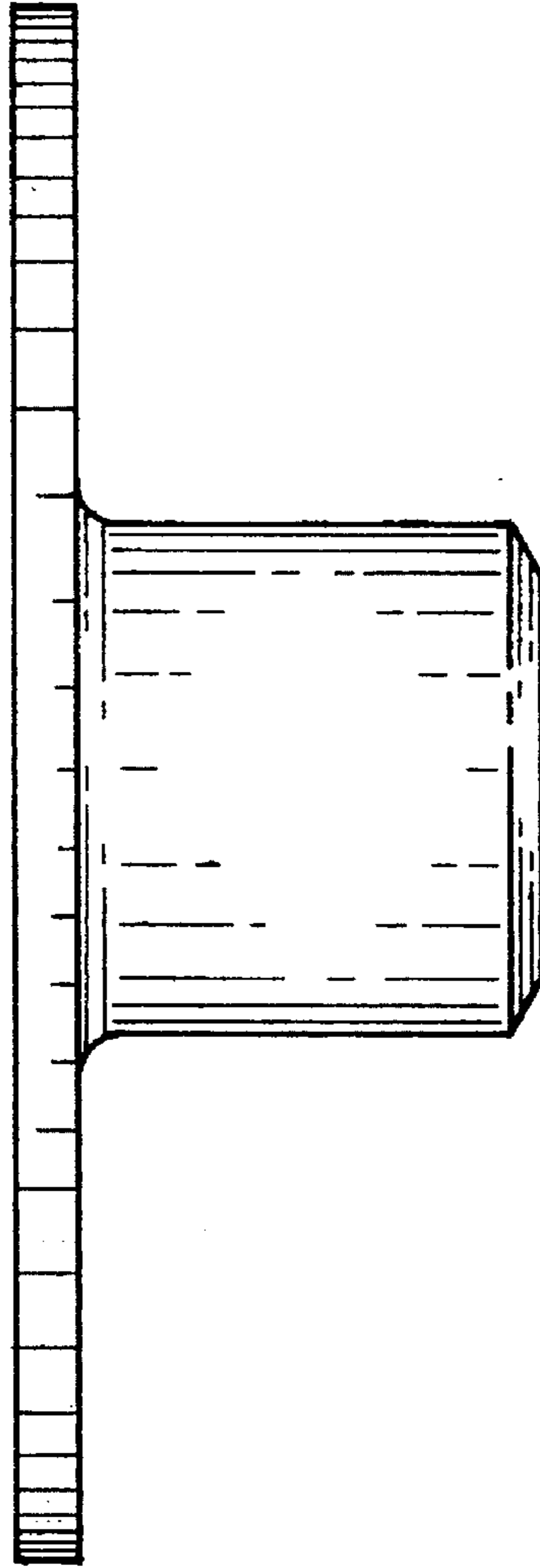


FIG. 5

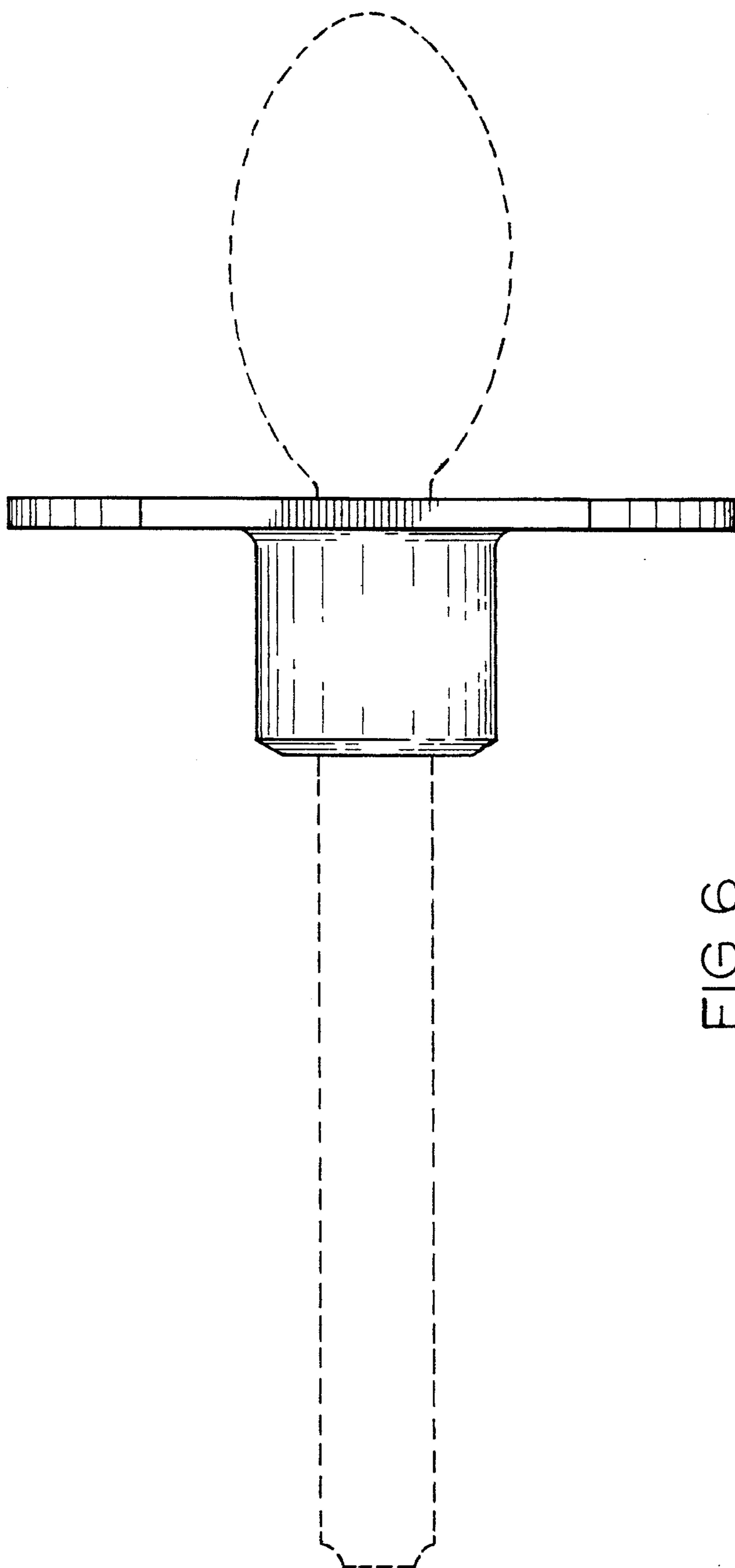


FIG. 6