



US00D373704S

United States Patent [19]

[11] Patent Number: **Des. 373,704**

Doxey

[45] Date of Patent: ****Sep. 17, 1996**

[54] **LID FOR A FOOD STORAGE CONTAINER**

D. 339,958 10/1993 Olsen et al. D7/392.1
5,152,417 10/1992 Gallagher 220/356 X

[75] Inventor: **Andre Doxey**, Shaker Heights, Ohio

OTHER PUBLICATIONS

[73] Assignee: **Rubbermaid Incorporated**, Wooster, Ohio

HFD, Mar. 7, 1988, p. 60, Round container lid.

[**] Term: **14 Years**

Primary Examiner—Terry A. Wallace

Attorney, Agent, or Firm—Richard B. O’Planick; Lisa B. Riedesel

[21] Appl. No.: **25,745**

[57] CLAIM

[22] Filed: **Jul. 11, 1994**

The ornamental design for a lid for a food storage container, as shown and described.

Related U.S. Application Data

DESCRIPTION

[62] Division of Ser. No. 10,773, Jul. 19, 1993, Pat. No. Des. 360,105.

[52] U.S. Cl. **D7/391**

[58] Field of Search D7/391-392.1,
D7/538-542; D9/414, 424, 434, 435, 432,
452; 220/306, 352, 356

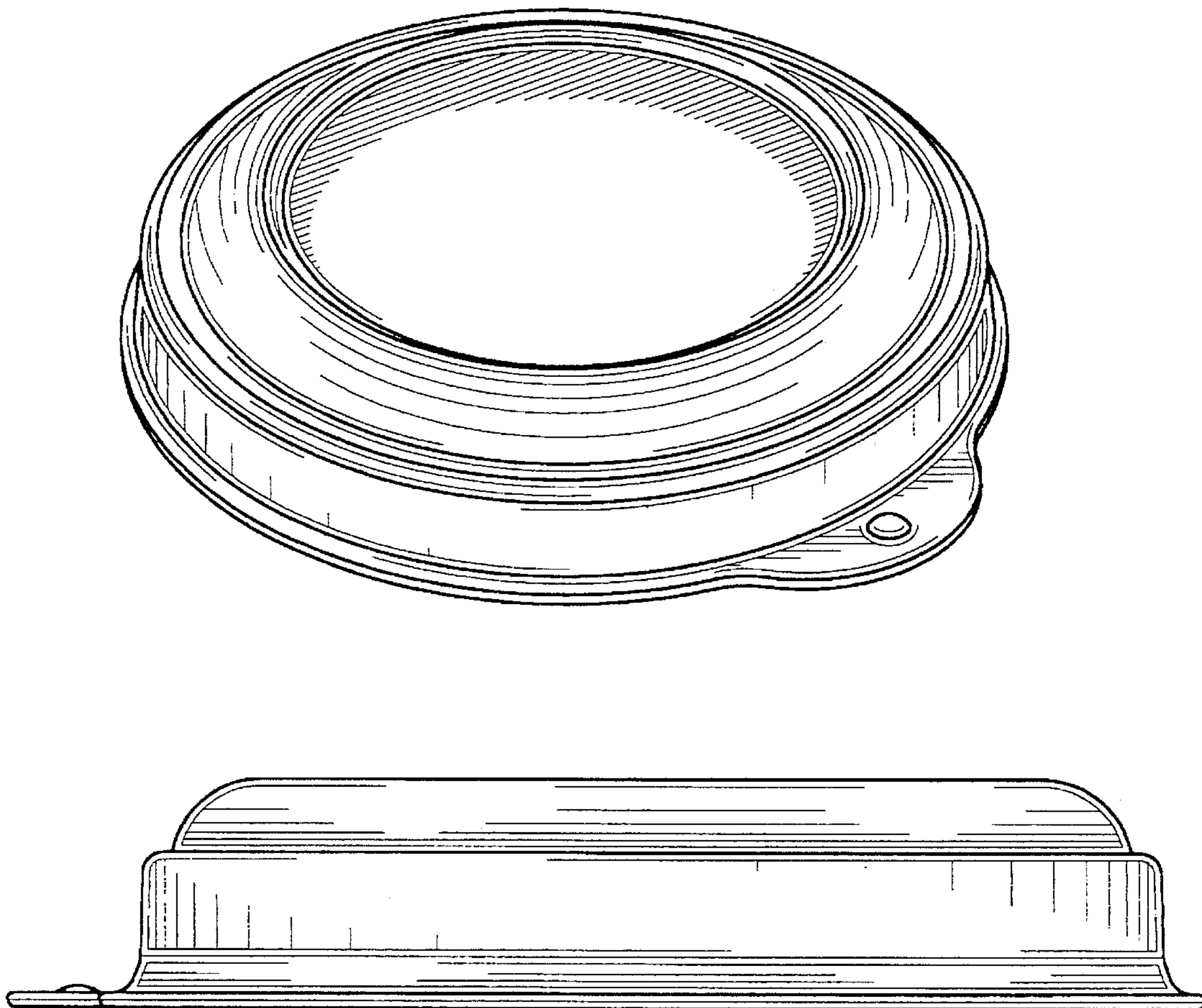
FIG. 1 is a top, left, front perspective view of a lid for a food storage container showing my new design;
FIG. 2 is a right side elevation view thereof, the opposite side being a mirror image;
FIG. 3 is a top plan view thereof;
FIG. 4 is a front elevation view thereof;
FIG. 5 is a bottom plan view thereof; and,
FIG. 6 is a rear elevation view thereof.

[56] References Cited

U.S. PATENT DOCUMENTS

D. 281,758 12/1985 Trombly D7/629 X
D. 282,616 2/1986 Gallagher et al. D7/392.1

1 Claim, 3 Drawing Sheets



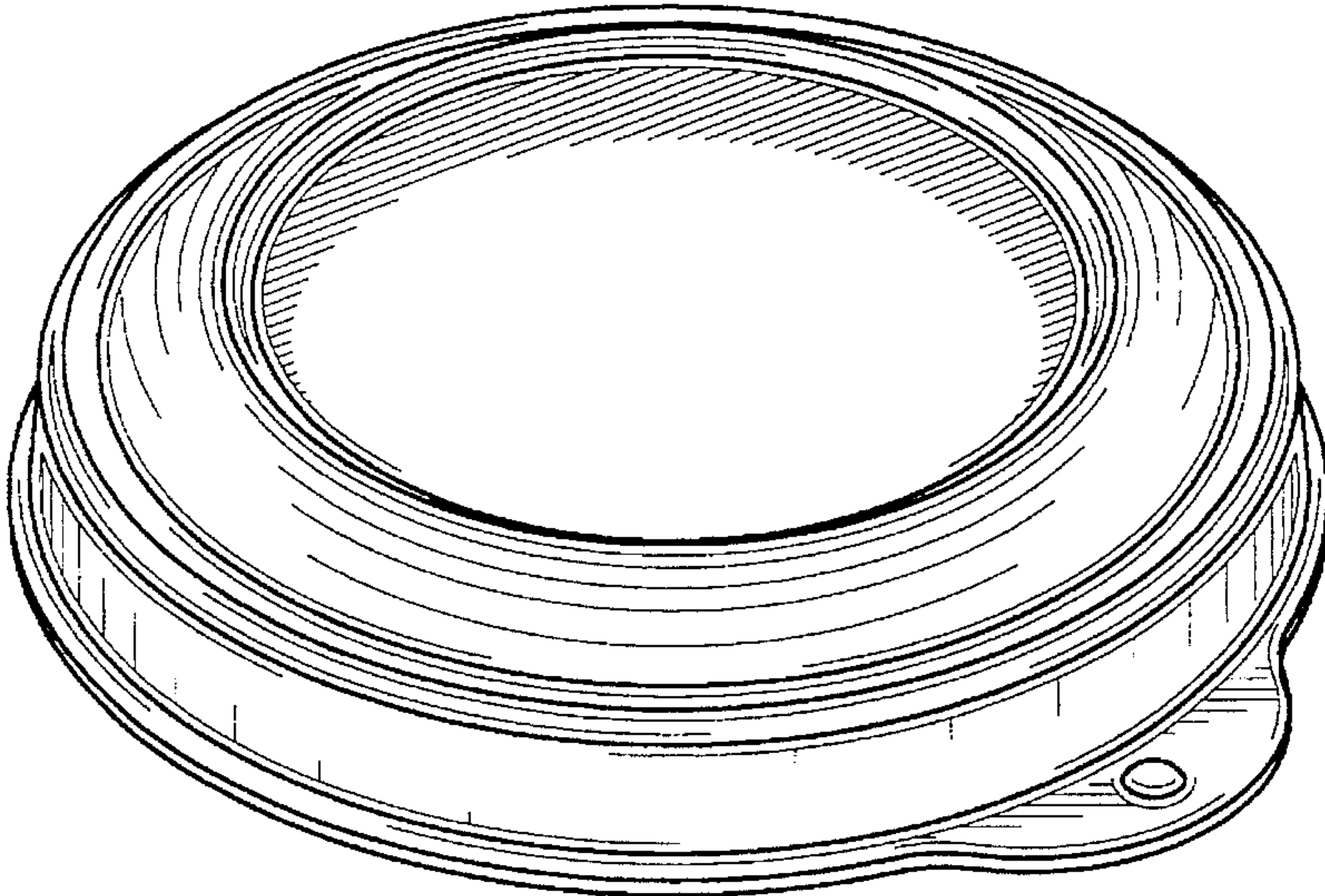


FIG. 1

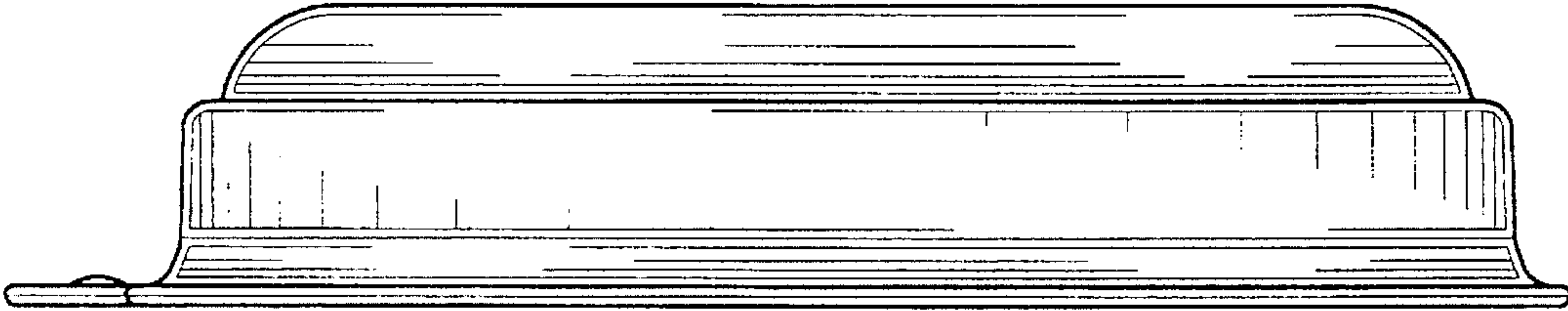


FIG. 2

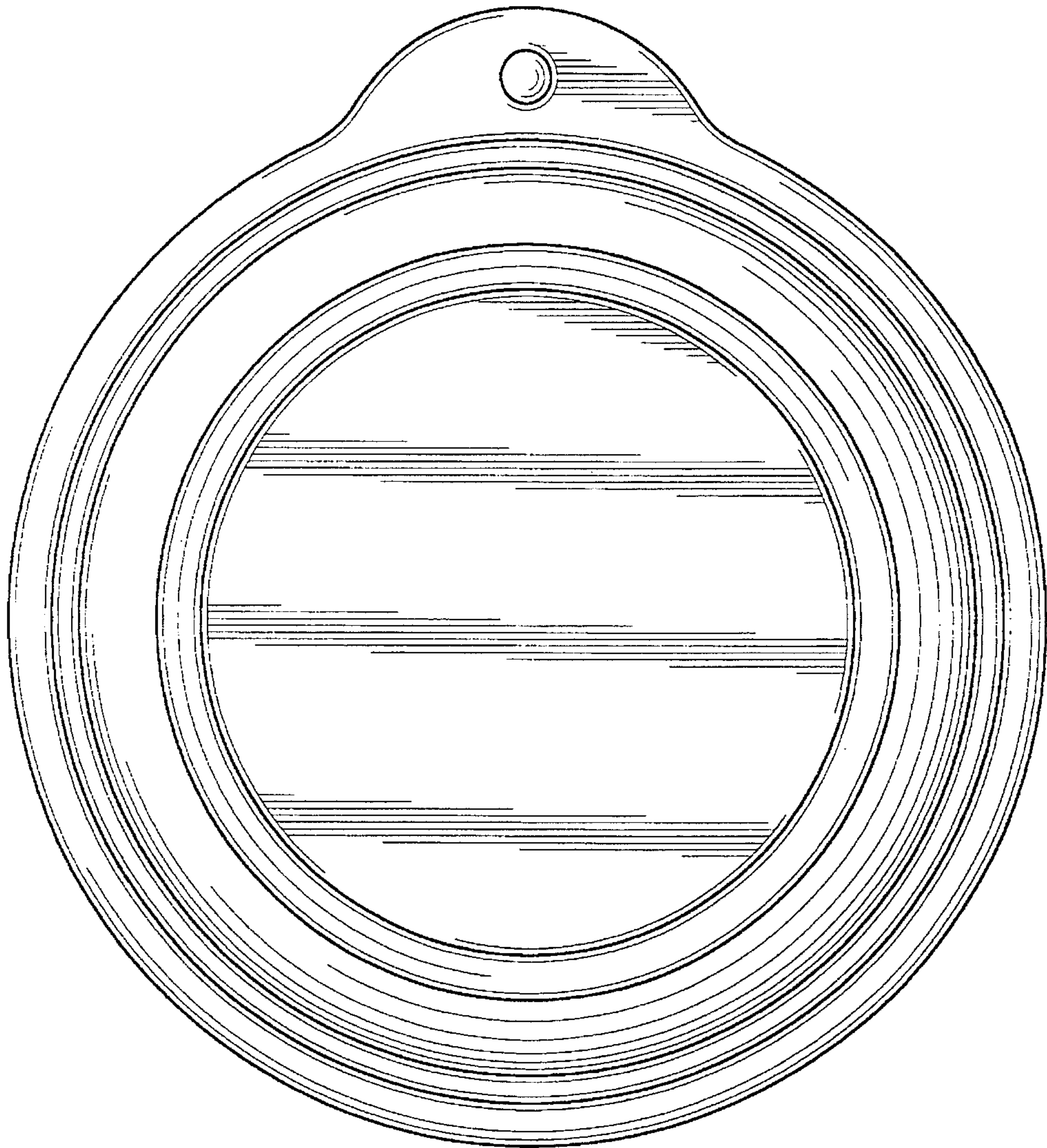


FIG. 3

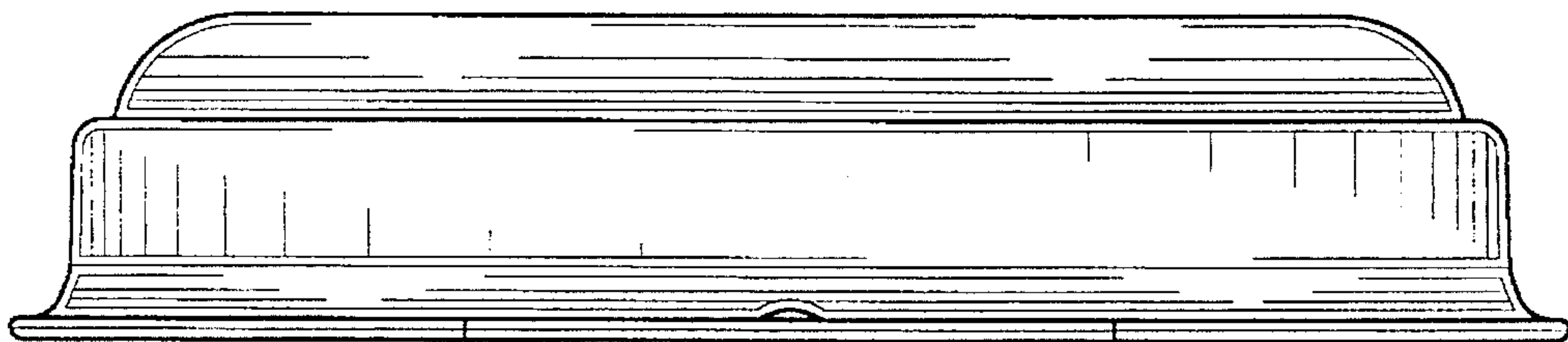


FIG. 4

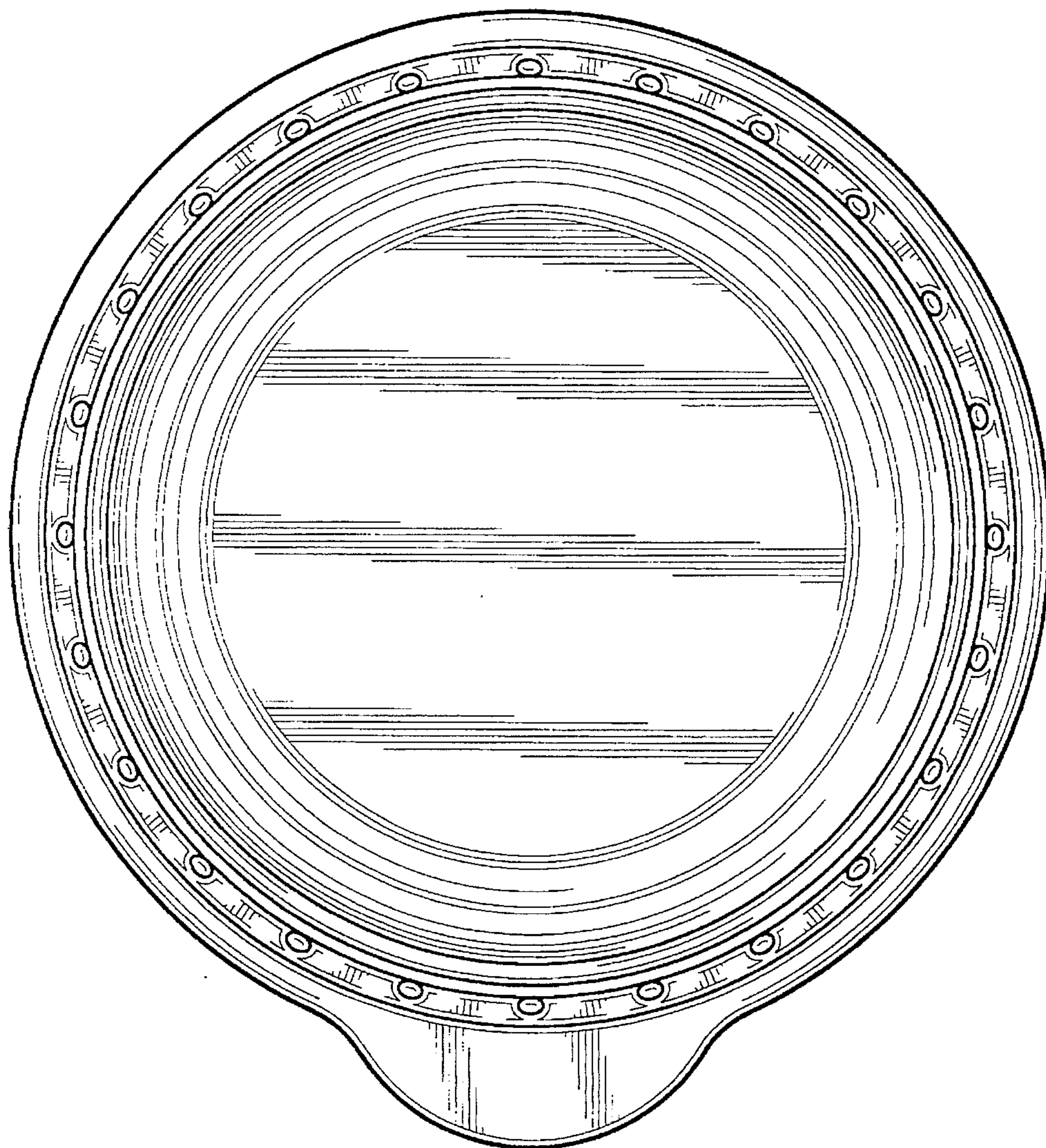


FIG. 5

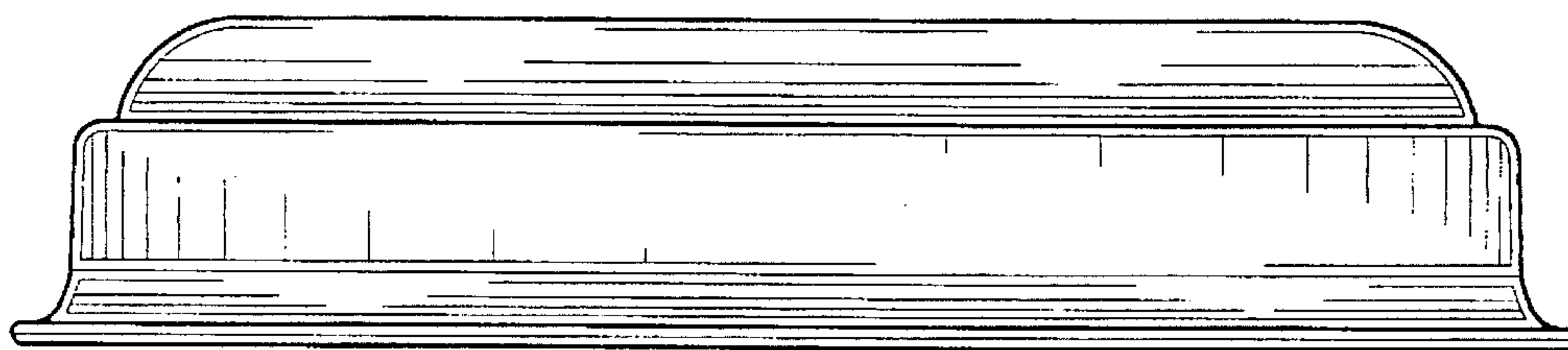


FIG. 6