



US00D373703S

# United States Patent [19] Frisell

**[11] Patent Number: Des. 373,703**  
**[45] Date of Patent: \*\*Sep. 17, 1996**

**[54] FOOD PREPARING MACHINE**

D. 297,901 10/1988 Barrault ..... D7/384  
D. 338,803 8/1993 Littmann ..... D7/376

**[75] Inventor: Carl-Gustaf Frisell, Stockholm, Sweden**

*Primary Examiner*—Alan P. Douglas  
*Assistant Examiner*—Caron D. Veynar  
*Attorney, Agent, or Firm*—Pearne, Gordon, McCoy & Granger

**[73] Assignee: Aktiebolaget Electrolux, Stockholm, Sweden**

**[\*\*] Term: 14 Years**

**[57] CLAIM**

**[21] Appl. No.: 38,009**

The ornamental design for a food preparing machine, as shown and described.

**[22] Filed: Apr. 26, 1995**

**DESCRIPTION**

**[30] Foreign Application Priority Data**

FIG. 1 is a perspective view of a food preparing machine, showing my new design;  
FIG. 2 is a front view thereof;  
FIG. 3 is a rear view thereof;  
FIG. 4 is a top plan view thereof;  
FIG. 5 is a bottom view thereof;  
FIG. 6 is a left hand side view thereof; and,  
FIG. 7 is a right hand side view thereof.

Nov. 1, 1994 [SE] Sweden ..... 942196

**[52] U.S. Cl. .... D7/384**

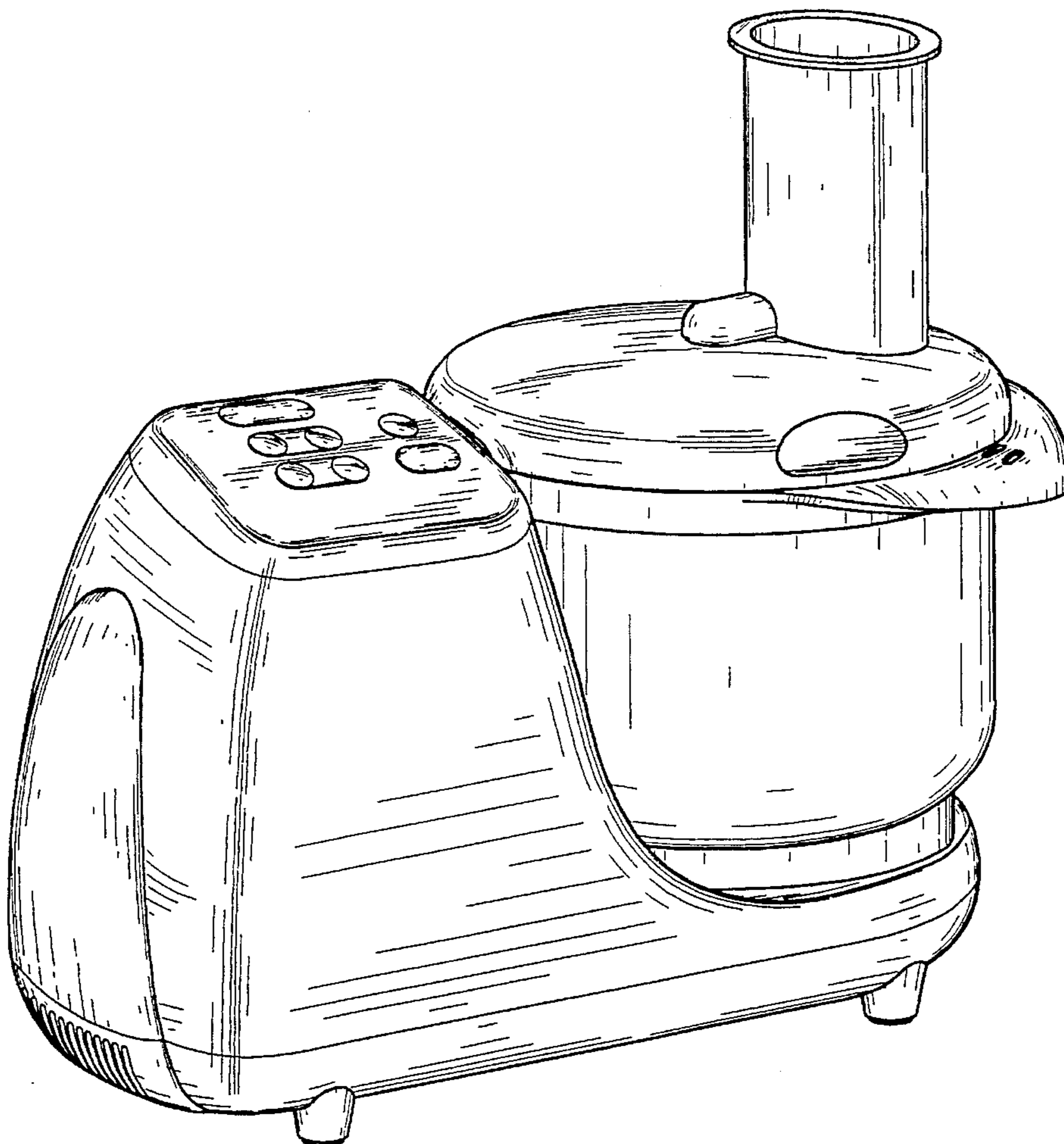
**[58] Field of Search** ..... D7/376-379, 386, D7/412, 413, 415, 384; 241/37.5, 101.1, 199.12, 282.1, 282.2, 92, 93; 366/92, 93, 129, 194, 197, 199, 203, 205, 207

**[56] References Cited**

**U.S. PATENT DOCUMENTS**

D. 296,860 7/1988 Maass ..... D7/384

**1 Claim, 6 Drawing Sheets**



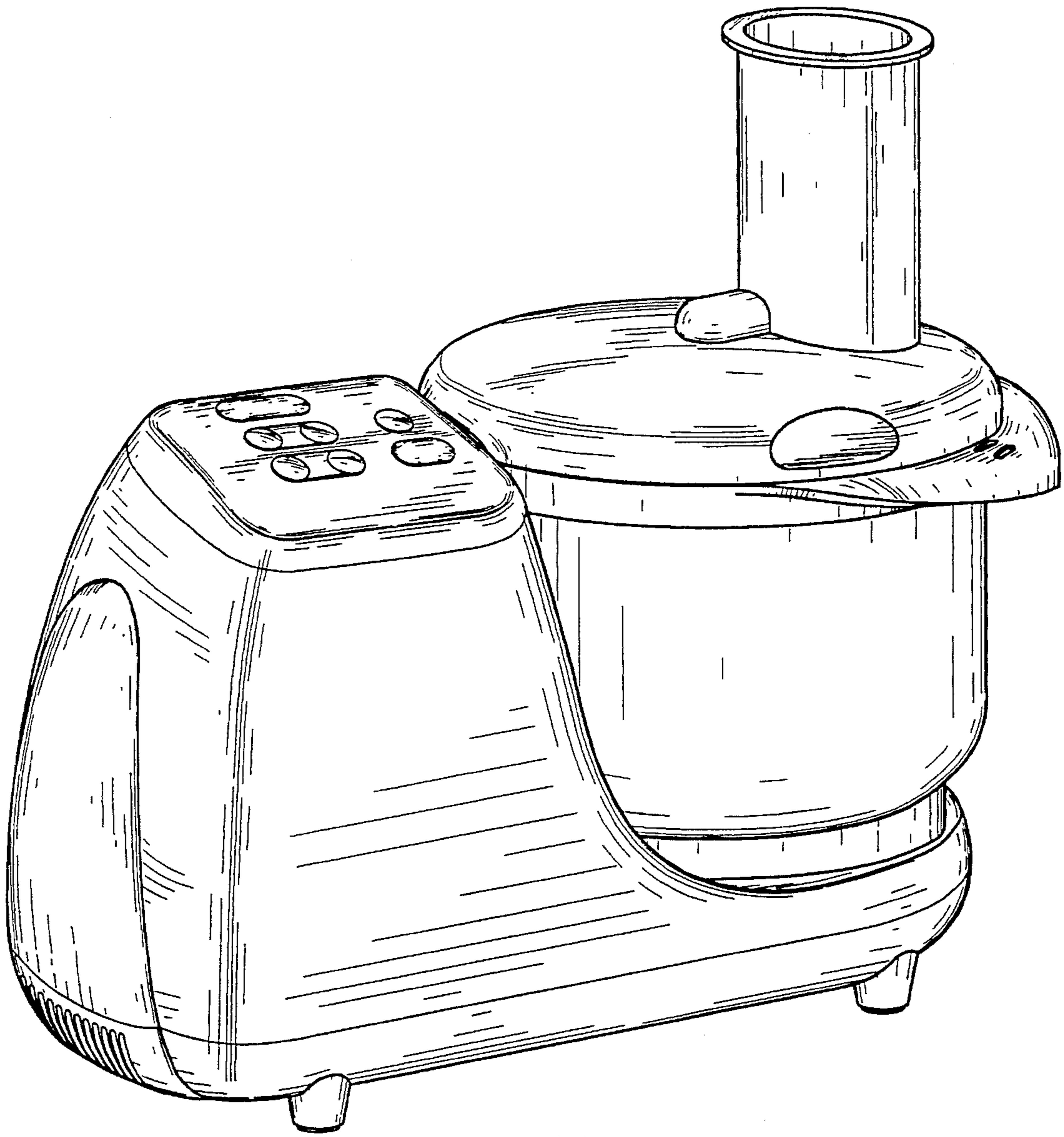


Fig.1

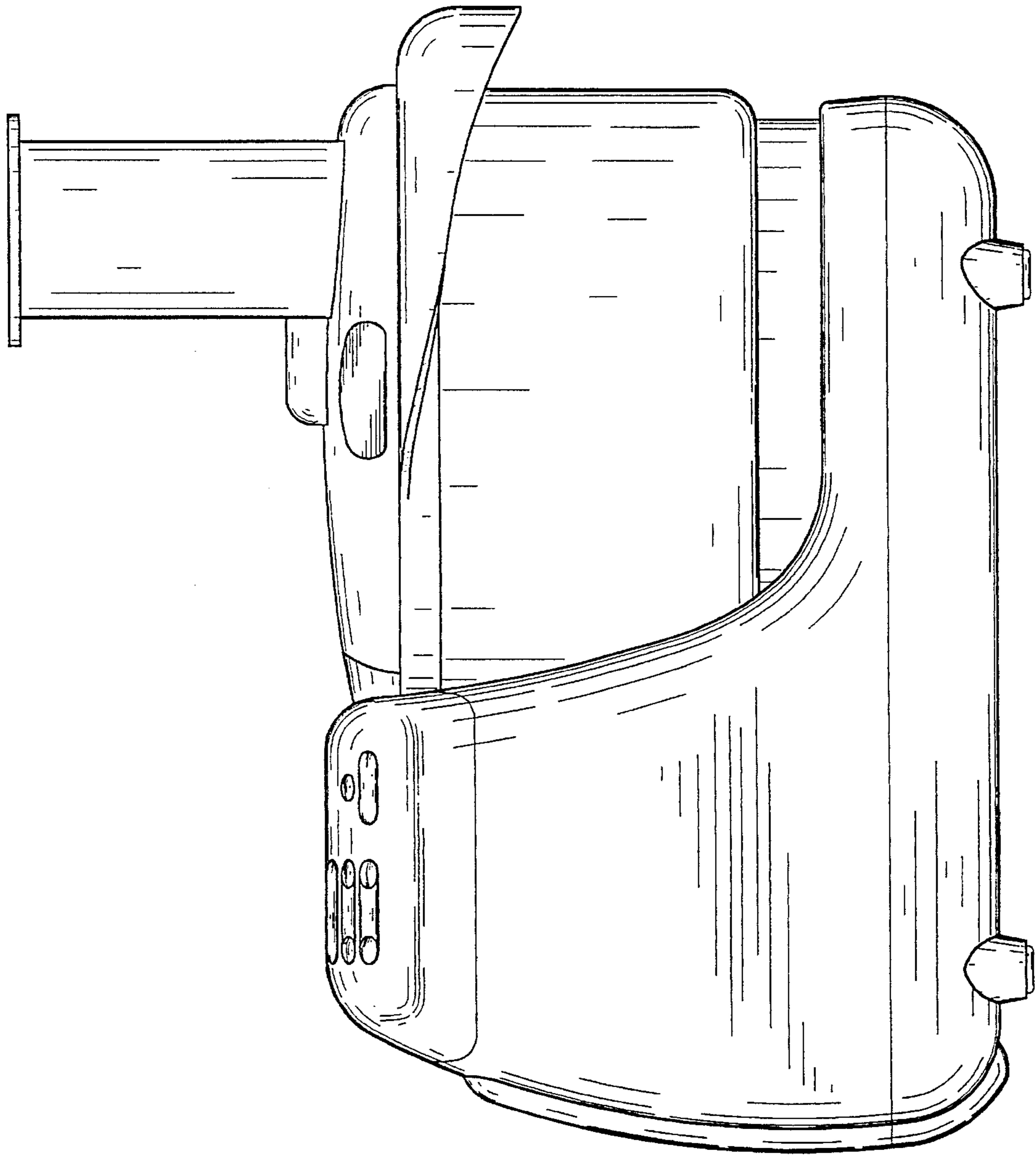


Fig.2

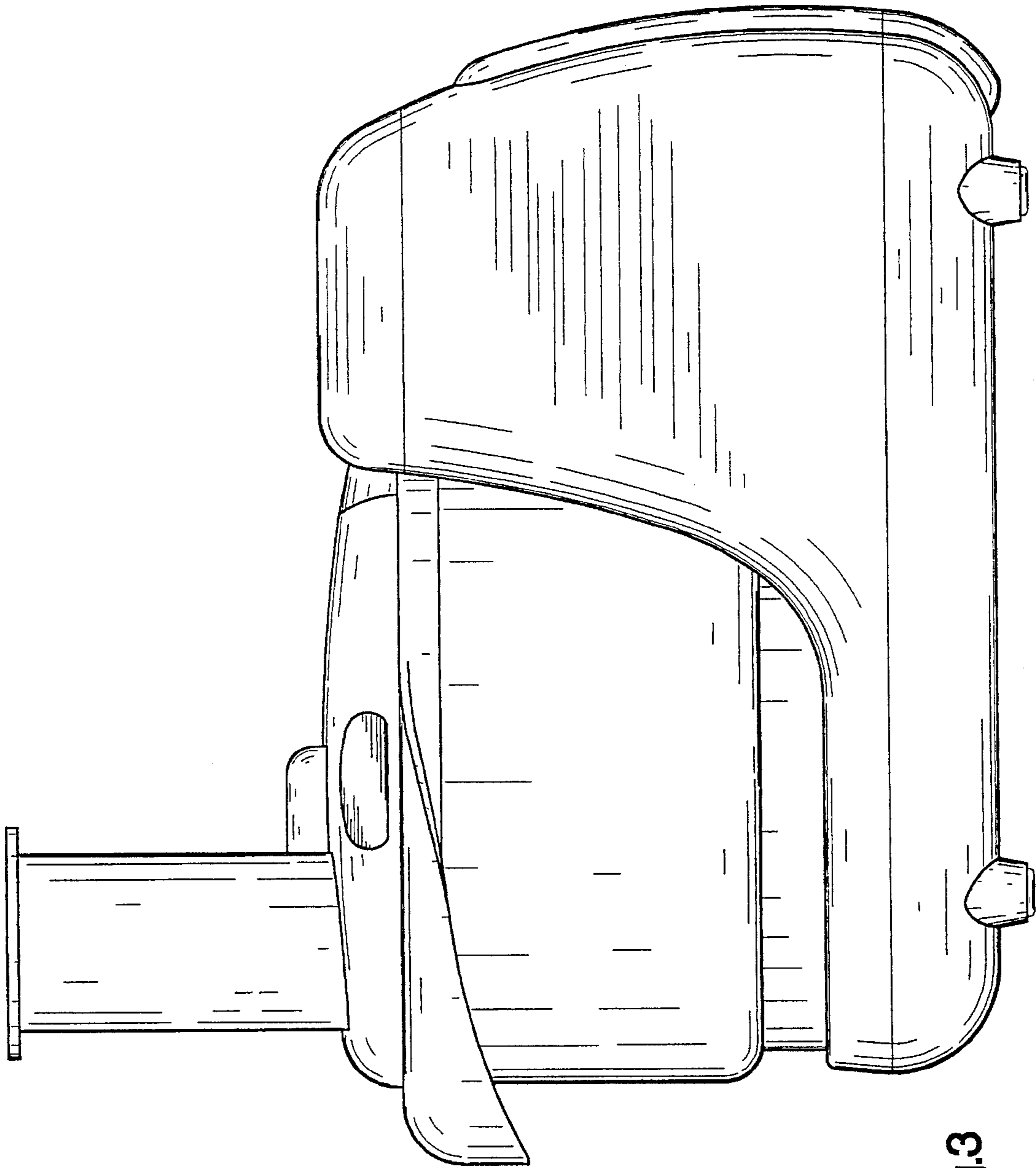


Fig.3

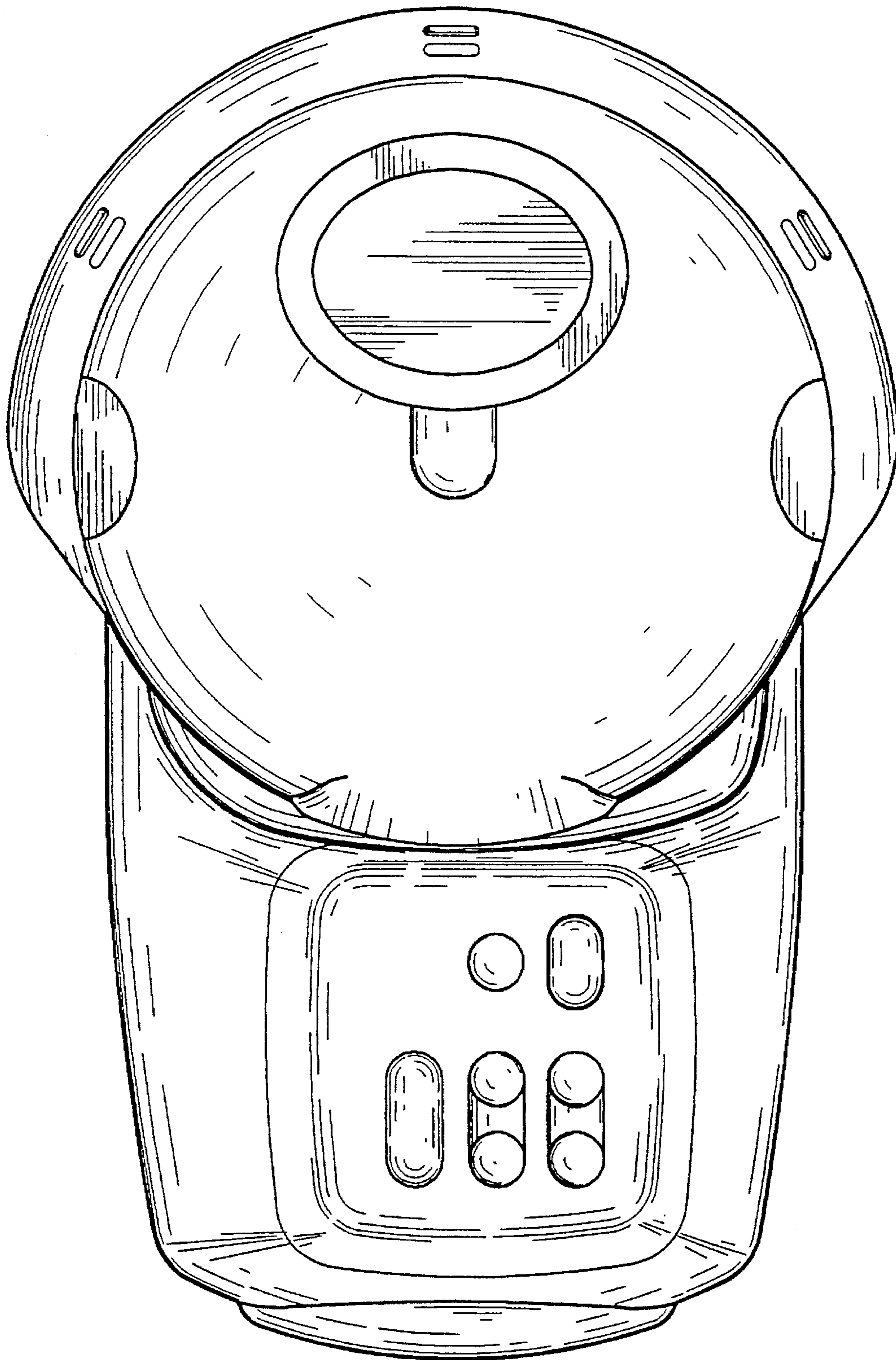


Fig.4

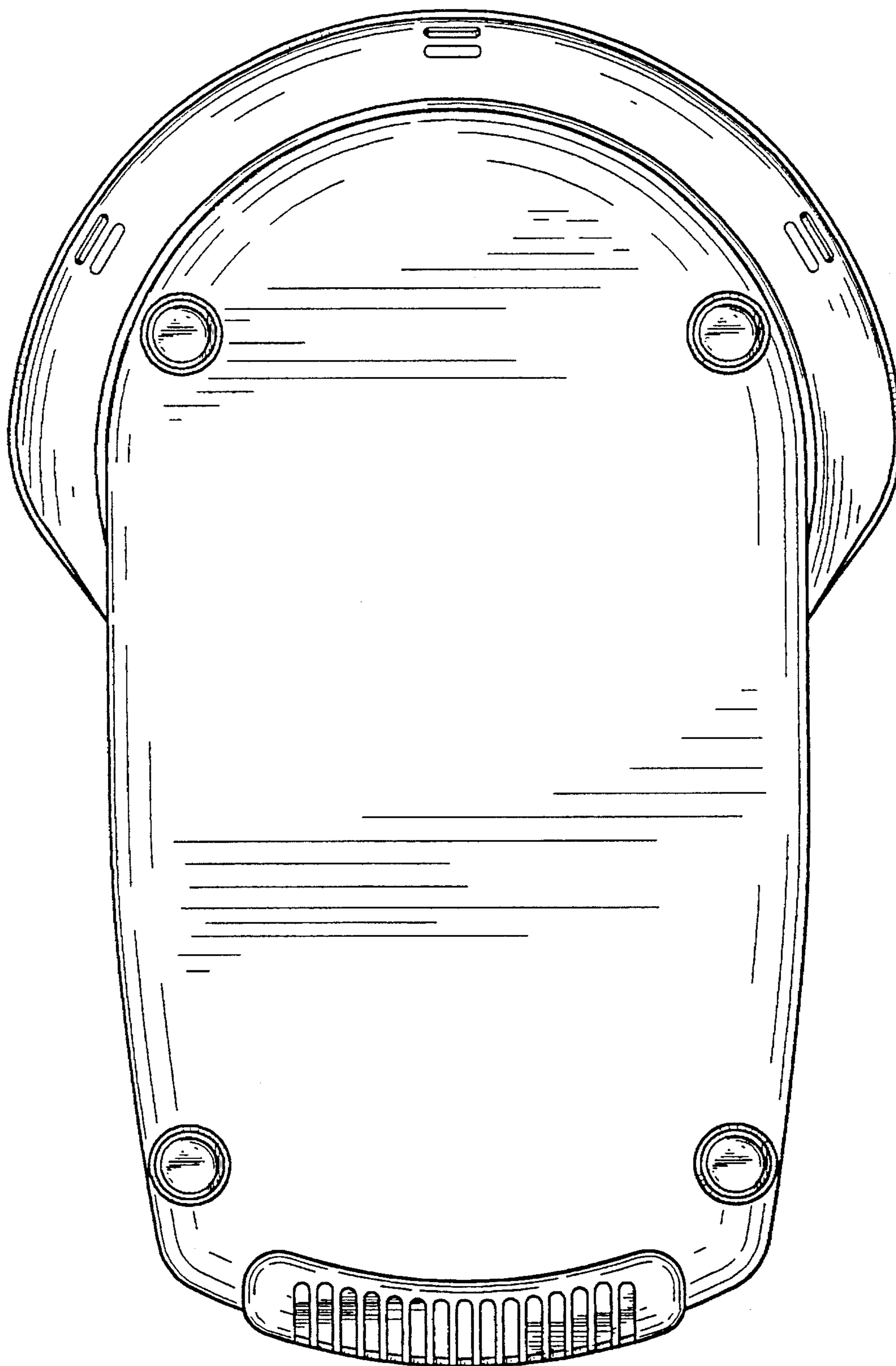


Fig.5

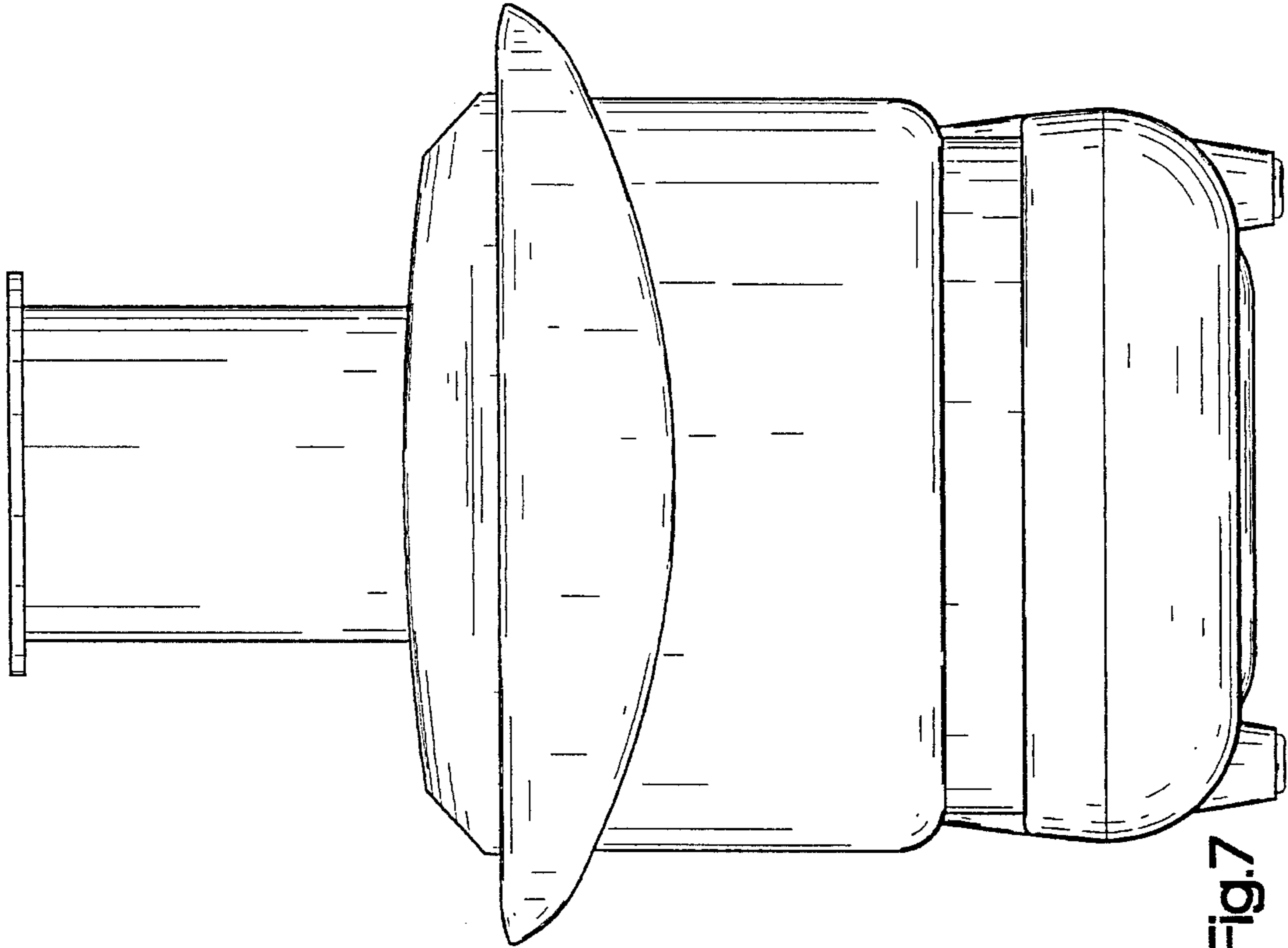


Fig.7

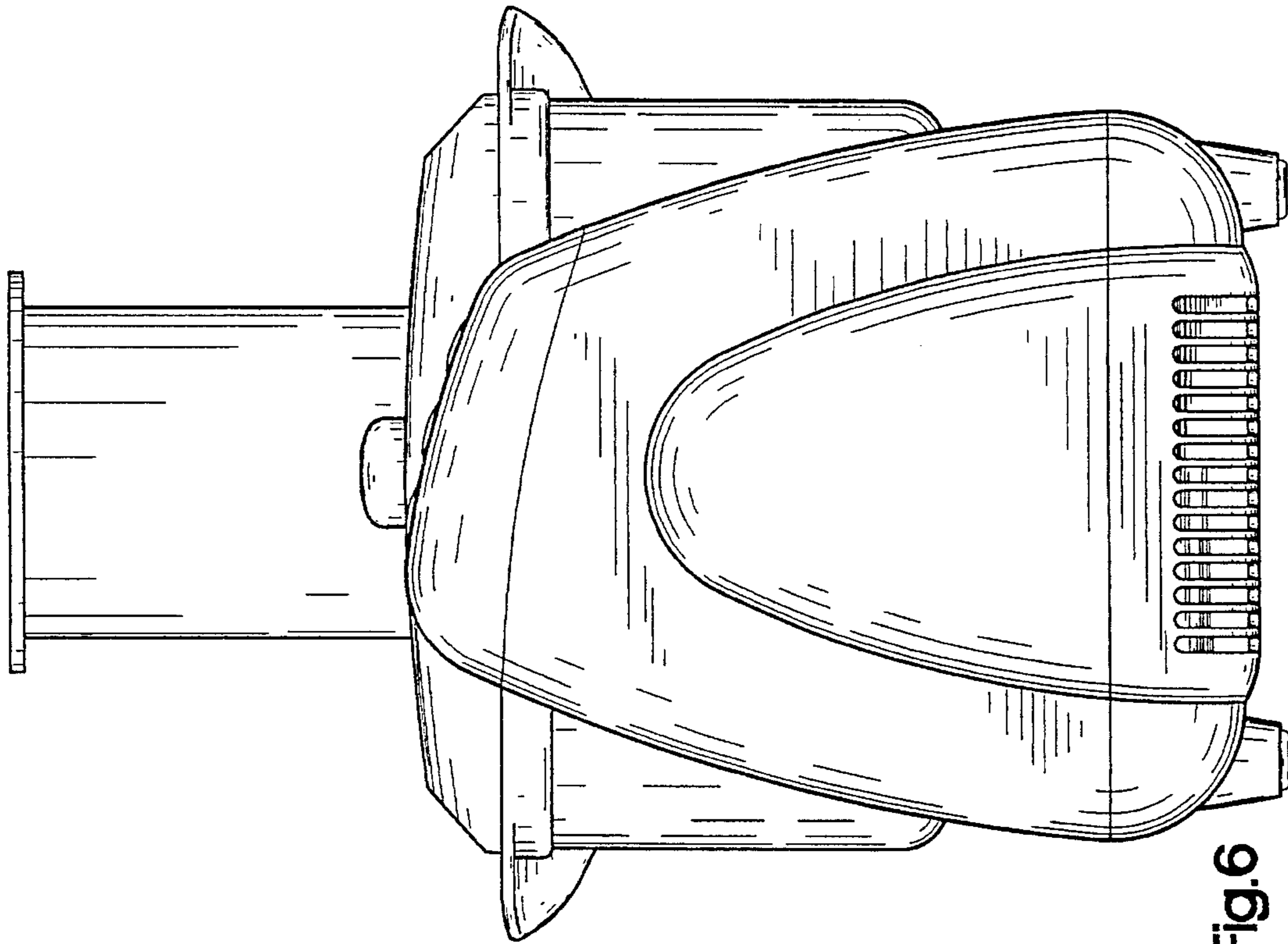


Fig.6