



US00D373700S

United States Patent [19]

Theodorou

[11] Patent Number: **Des. 373,700**

[45] Date of Patent: ****Sep. 17, 1996**

[54] **SHADE HOUSING**

792,548 6/1905 Oliver 160/112
1,501,970 7/1924 Reel 160/38

[75] Inventor: **Ignatius Z. Theodorou**, Alhambra, Calif.

Primary Examiner—James M. Gandy
Assistant Examiner—Gary D. Watson
Attorney, Agent, or Firm—Loeb & Loeb LLP

[73] Assignee: **Michaels/Theodorou Partnership**, Calabasas, Calif.

[57] **CLAIM**

[**] Term: **14 Years**

The ornamental design for a shade housing, as shown and described.

[21] Appl. No.: **22,862**

DESCRIPTION

[22] Filed: **May 13, 1994**

[52] U.S. Cl. **D6/580**

[58] Field of Search D6/580; D8/376, D8/377, 378; 160/38, 39, 108, 110, 112, 903; 248/267, 269, 271

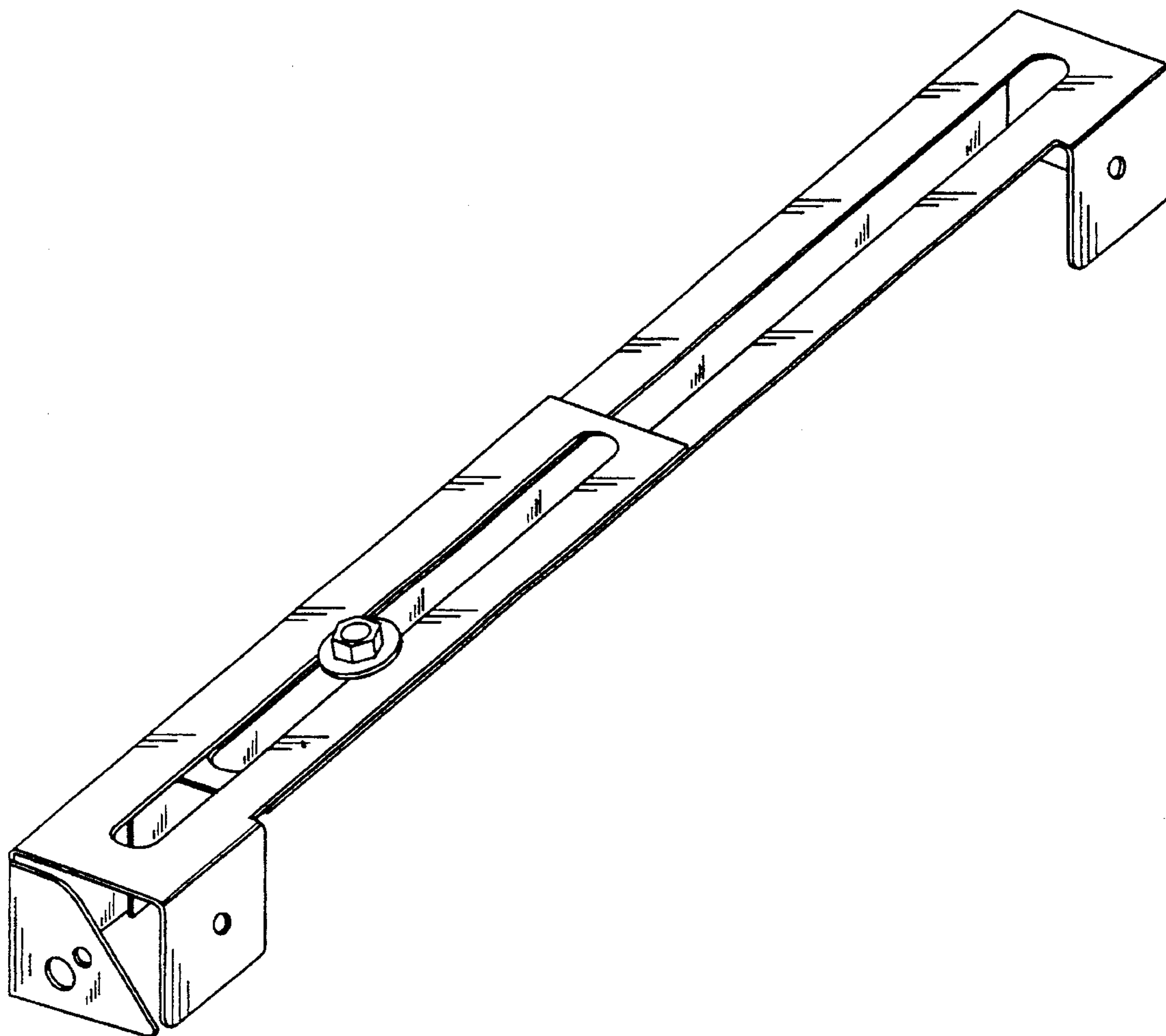
FIG. 1 is a perspective view showing my new design; FIG. 2 is a front elevation view thereof; FIG. 3 is a top plan view thereof; FIG. 4 is a bottom plan view thereof; FIG. 5 is a rear elevation view thereof; FIG. 6 is a left end elevation view thereof; and, FIG. 7 is a right end elevation view thereof.

[56] **References Cited**

U.S. PATENT DOCUMENTS

D. 341,978 12/1993 Come D6/580

1 Claim, 3 Drawing Sheets



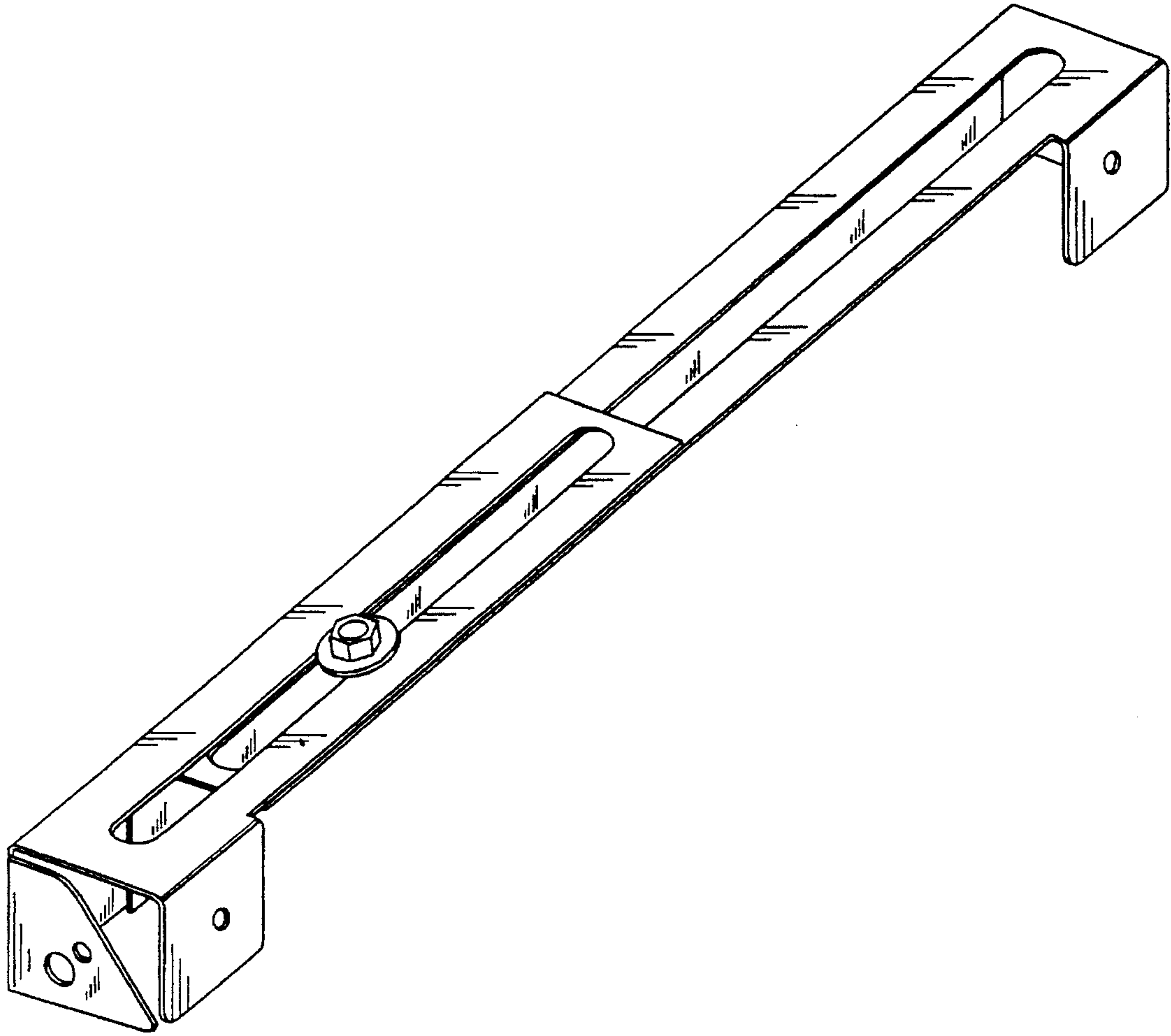


FIG. 1

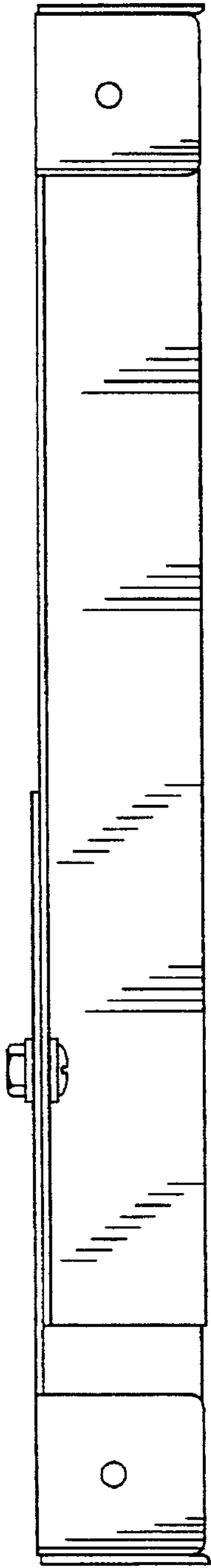


FIG. 2

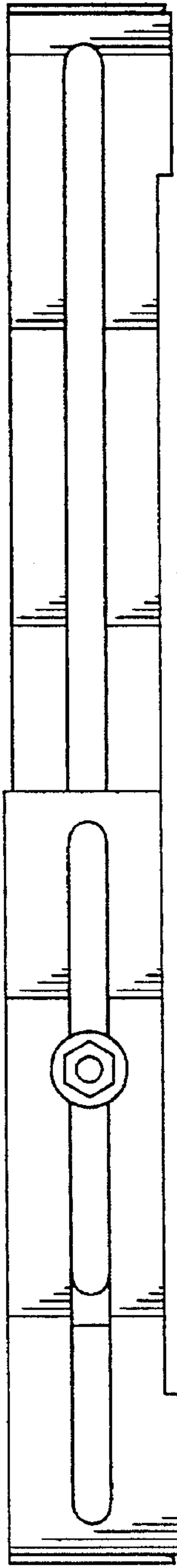


FIG. 3

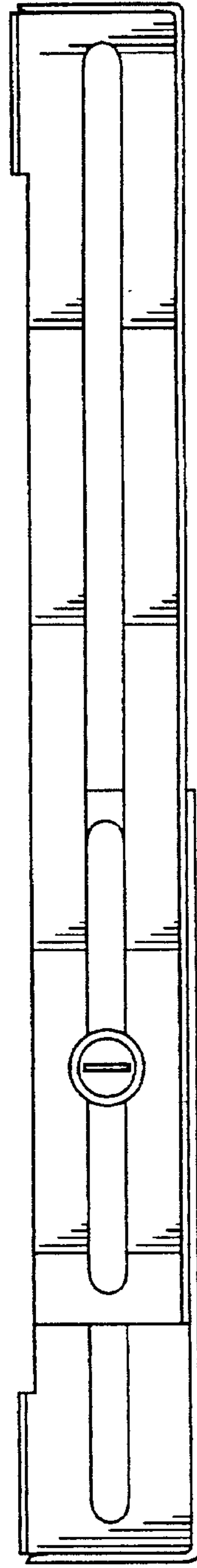


FIG. 4

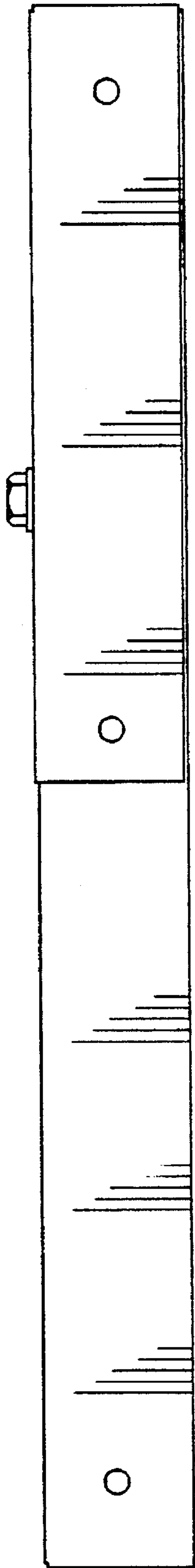


FIG. 5

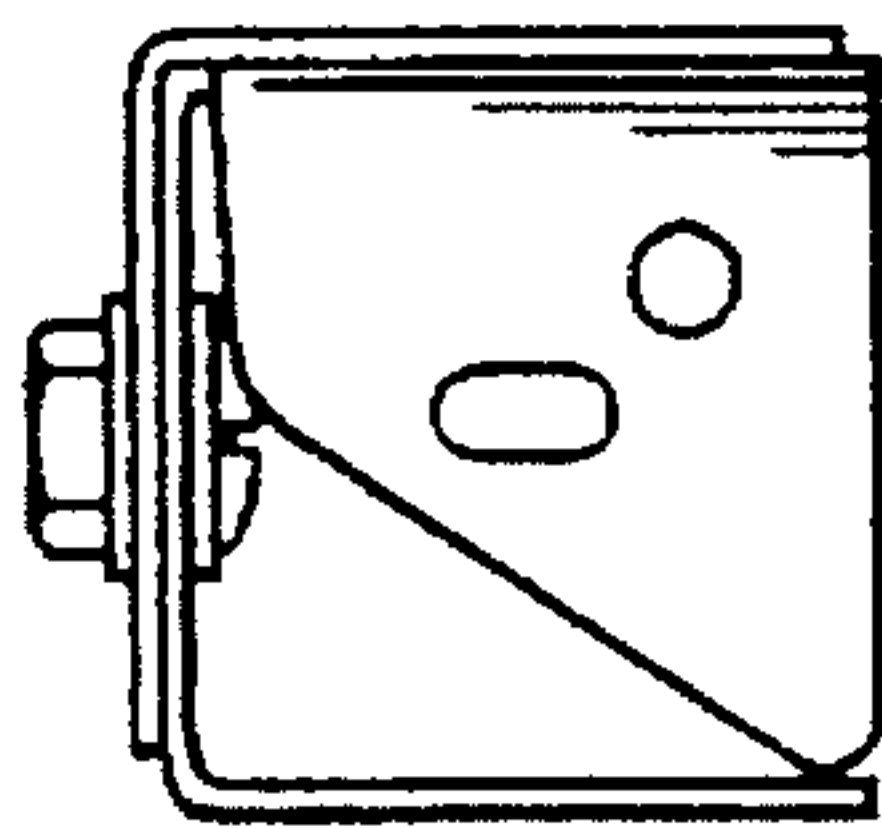


FIG. 7

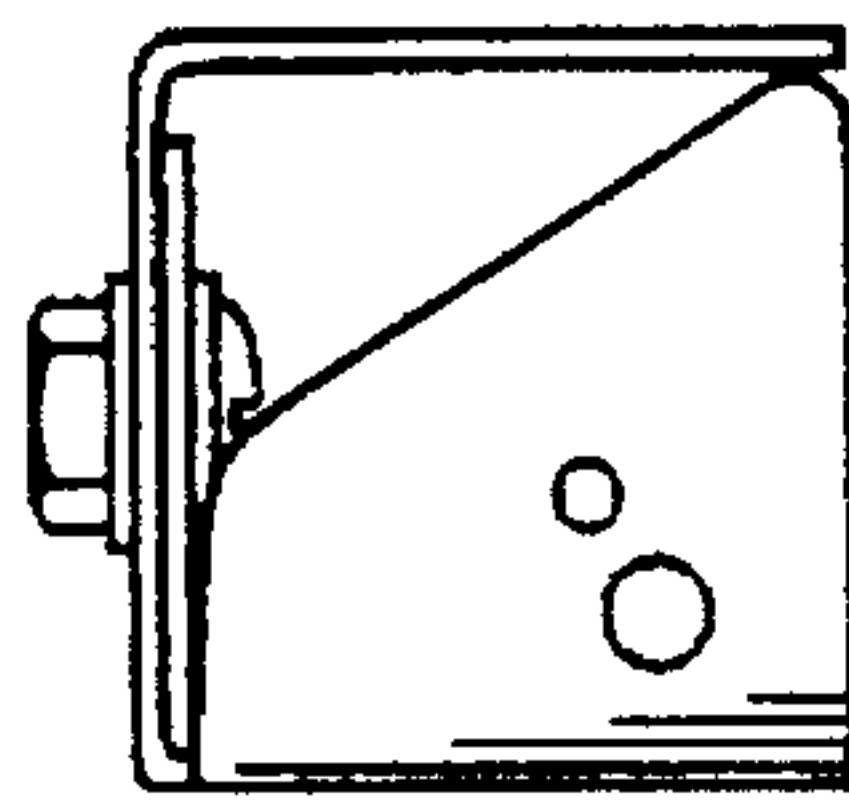


FIG. 6