



US00D373698S

United States Patent [19]

[11] Patent Number: **Des. 373,698**

Farrell

[45] Date of Patent: ****Sep. 17, 1996**

[54] **BUSINESS CARD DISPLAY AND DISPENSER**

[76] Inventor: **Lorene Farrell**, 709-B W. Rusk #323,
Rockwall, Tex. 75087

[**] Term: **14 Years**

[21] Appl. No.: **40,028**

[22] Filed: **Jun. 8, 1995**

[52] U.S. Cl. **D6/570**

[58] Field of Search D20/40, 41, 42,
D20/43, 31; D19/75, 76, 90; D6/567, 569,
570; 211/49.1, 50, 55; 40/642, 657, 606

[56] **References Cited**

U.S. PATENT DOCUMENTS

D. 276,009	10/1984	Ousley	D6/570
D. 282,327	1/1986	Neff	D6/570
D. 300,794	4/1989	Kellogg	D6/570
4,162,014	7/1979	Bobrick	211/50

Primary Examiner—Susan J. Lucas
Assistant Examiner—Jennifer A. Register
Attorney, Agent, or Firm—Konneker & Smith

[57] **CLAIM**

The ornamental design for a business card display and dispenser, as shown and described.

DESCRIPTION

FIG. 1 is a perspective view thereof taken from the top, front and left side thereof of a business card display and dispenser showing my new design;

FIG. 2 is a front view thereof;

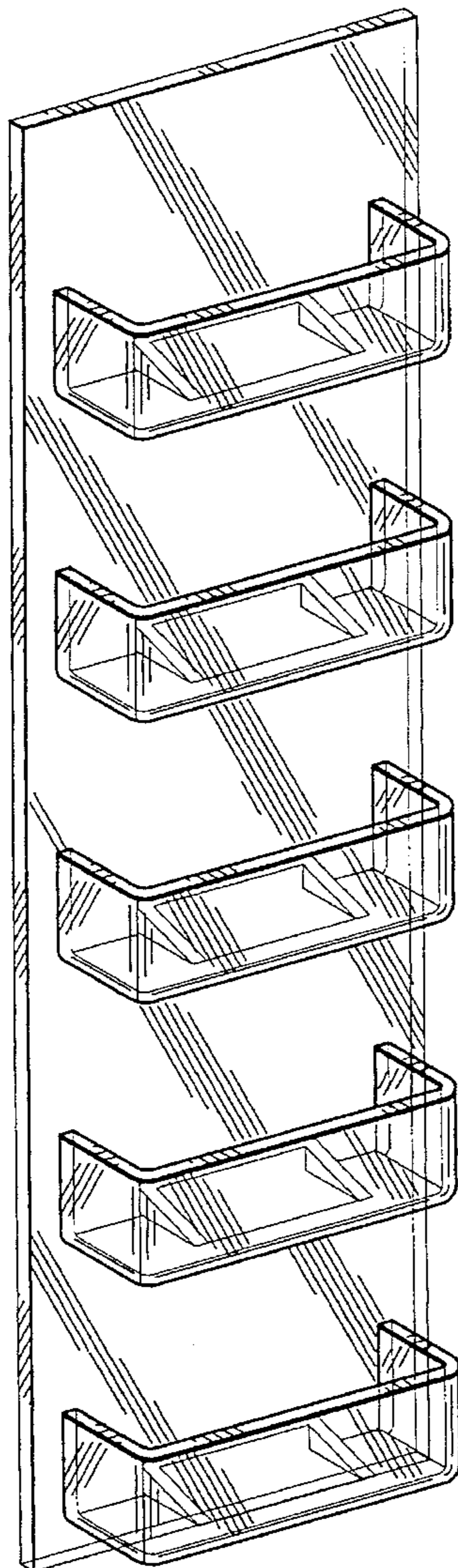
FIG. 3 is a right side elevational view thereof, the left side being the same as the right side;

FIG. 4 is a rear elevational view thereof;

FIG. 5 is a top plan view thereof; and,

FIG. 6 is a bottom plan view thereof.

1 Claim, 2 Drawing Sheets



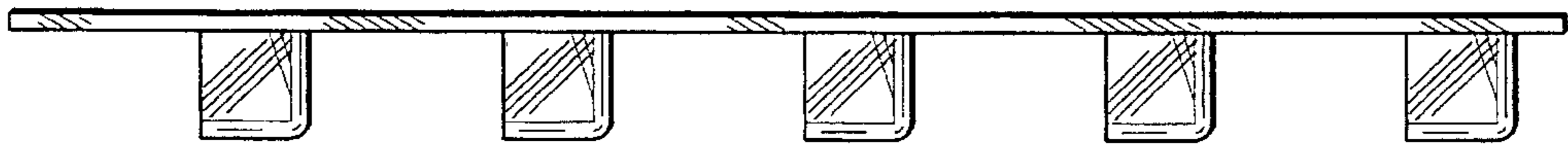


FIG. 3

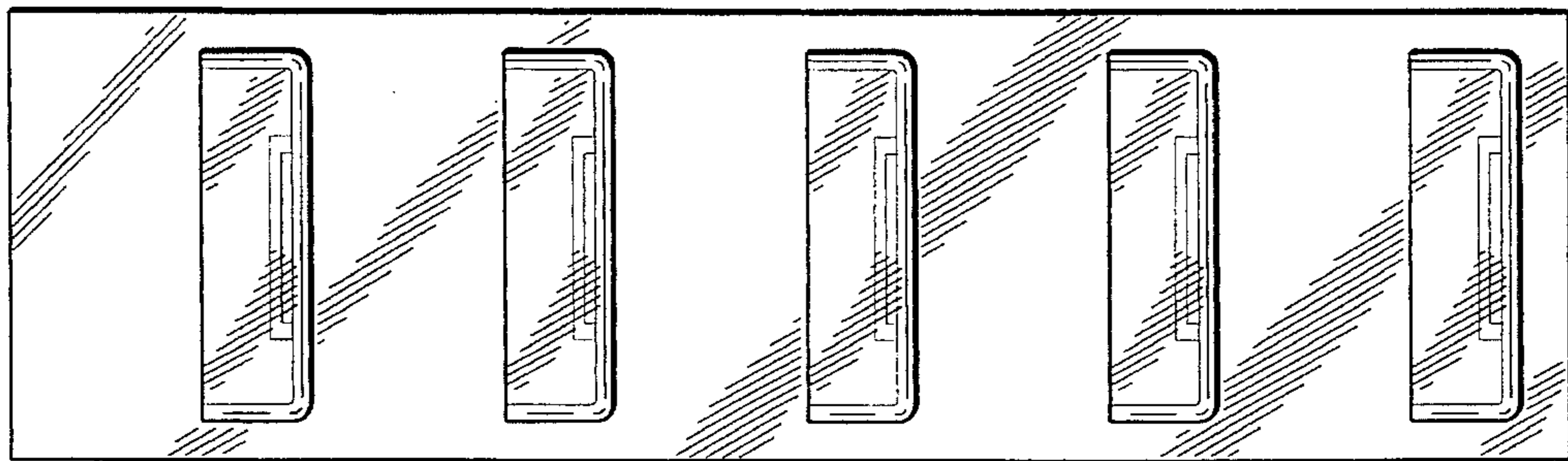


FIG. 2

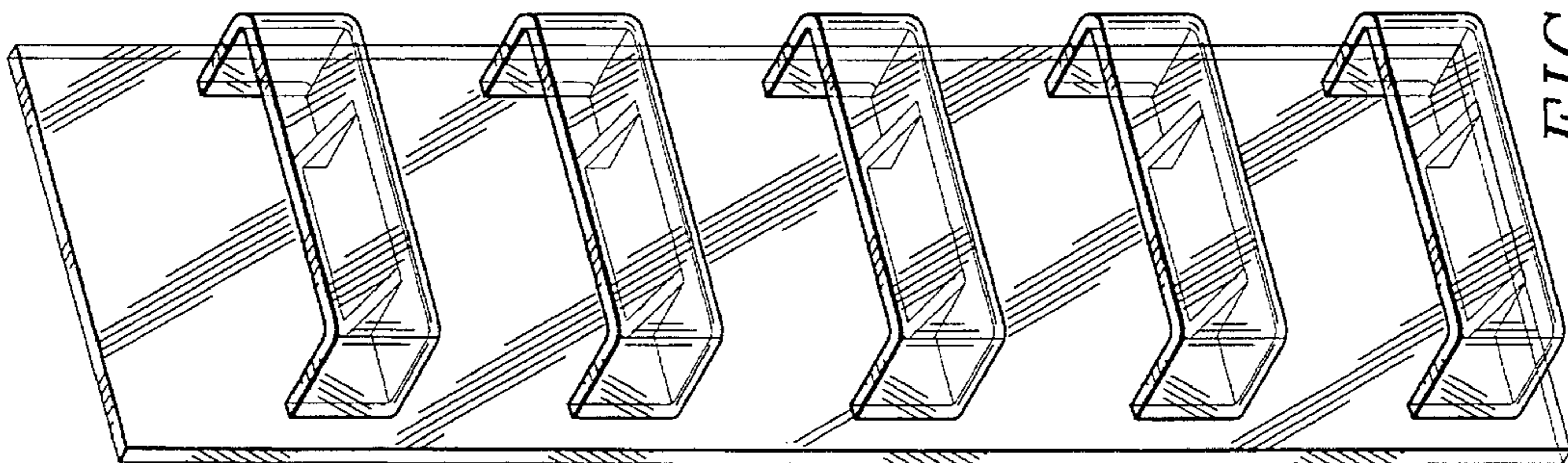


FIG. 1

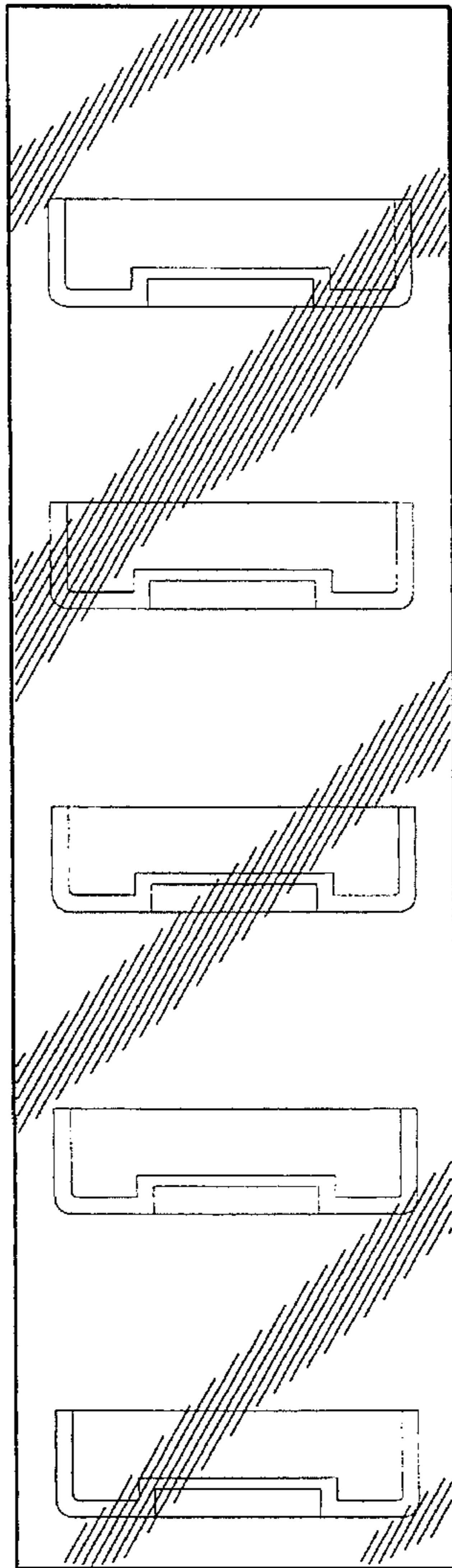


FIG. 4



FIG. 5



FIG. 6