



US00D373696S

United States Patent [19]

[11] Patent Number: **Des. 373,696**

Minneman

[45] Date of Patent: ****Sep. 17, 1996**

[54] CAMPER COFFEE TABLE

Primary Examiner—B. J. Bullock

[75] Inventor: **Allen J. Minneman**, Union, Ohio

Assistant Examiner—S. Snapp

Attorney, Agent, or Firm—Jacox, Meckstroth & Jenkins

[73] Assignee: **MTM Molded Products Company**,
Dayton, Ohio

[57] CLAIM

[**] Term: **14 Years**

The ornamental design for a camper coffee table, as shown and described.

[21] Appl. No.: **30,890**

DESCRIPTION

[22] Filed: **Nov. 10, 1994**

[52] U.S. Cl. **D6/511**

[58] Field of Search D6/509, 510, 511;
108/44

FIG. 1 is a perspective view of the camper coffee table, with stand shown in broken lines to designate environment, and such stand does not form any part of the claimed design; FIG. 2 is a top plan view of the camper coffee table of FIG. 1;

FIG. 3 is a bottom plan view of the camper coffee table of FIG. 1;

FIG. 4 is a front view of the camper coffee table of FIG. 1; FIG. 5 is a rear view of the camper coffee table of FIG. 1; and,

FIG. 6 is a left side view of the camper coffee table of FIG. 1.

[56] References Cited

U.S. PATENT DOCUMENTS

D. 268,072	3/1983	Boggs	D6/510
3,391,960	7/1968	Megargle et al.	108/44 X
4,524,701	6/1985	Chappell	108/44
4,940,003	7/1990	Mayhew et al.	108/44
5,069,375	12/1991	Flick	108/44 X

1 Claim, 3 Drawing Sheets

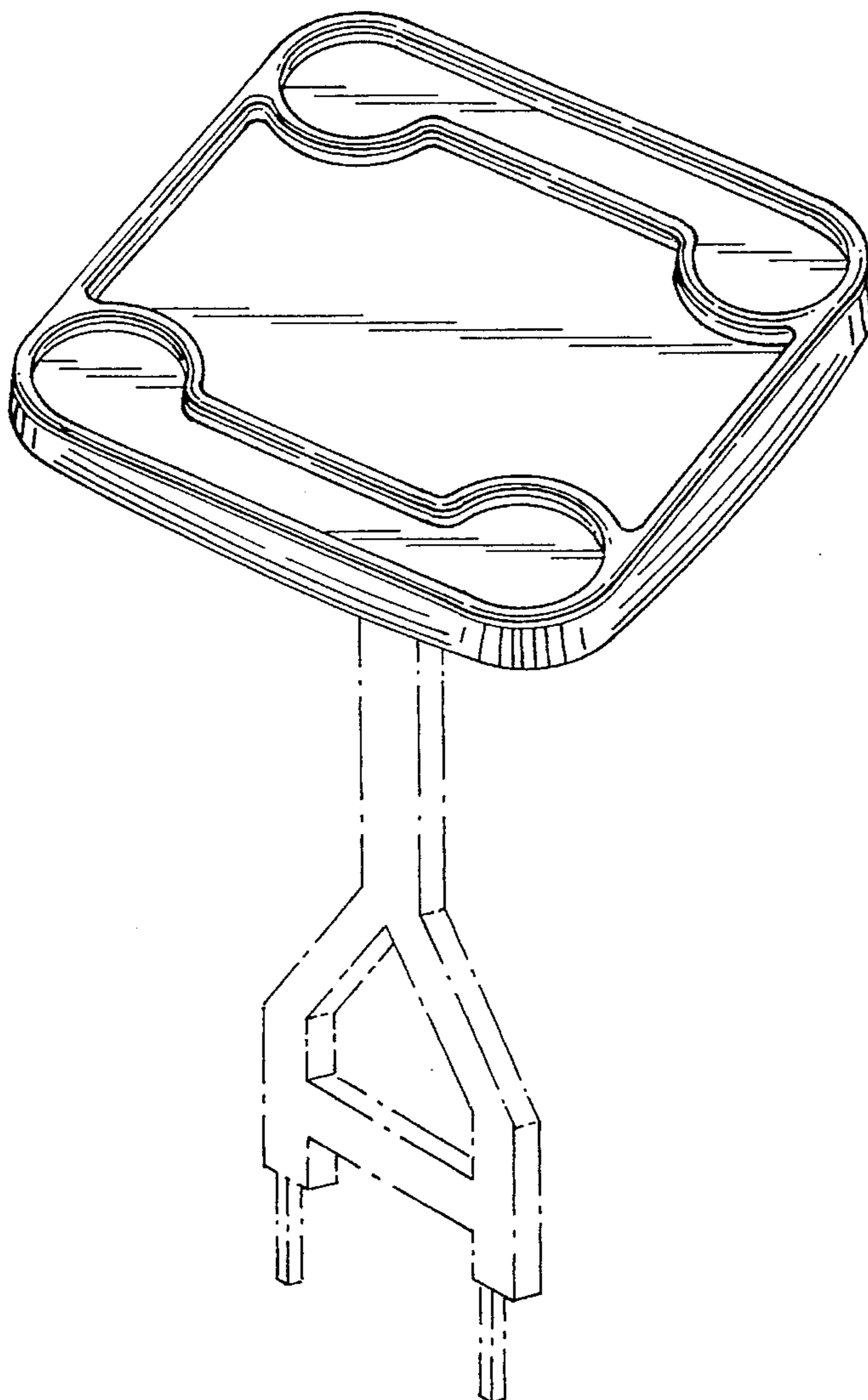


FIG-1

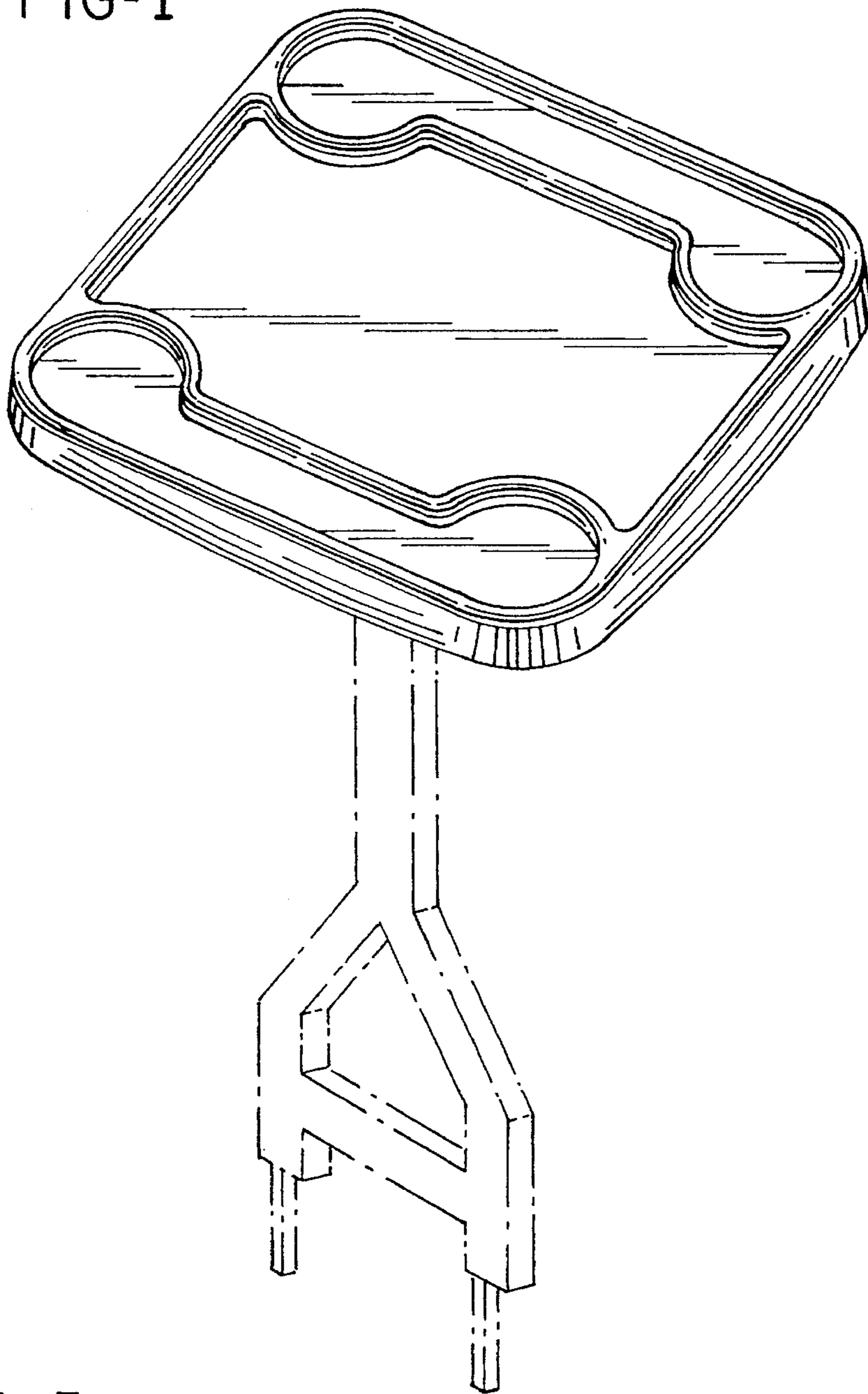


FIG-5

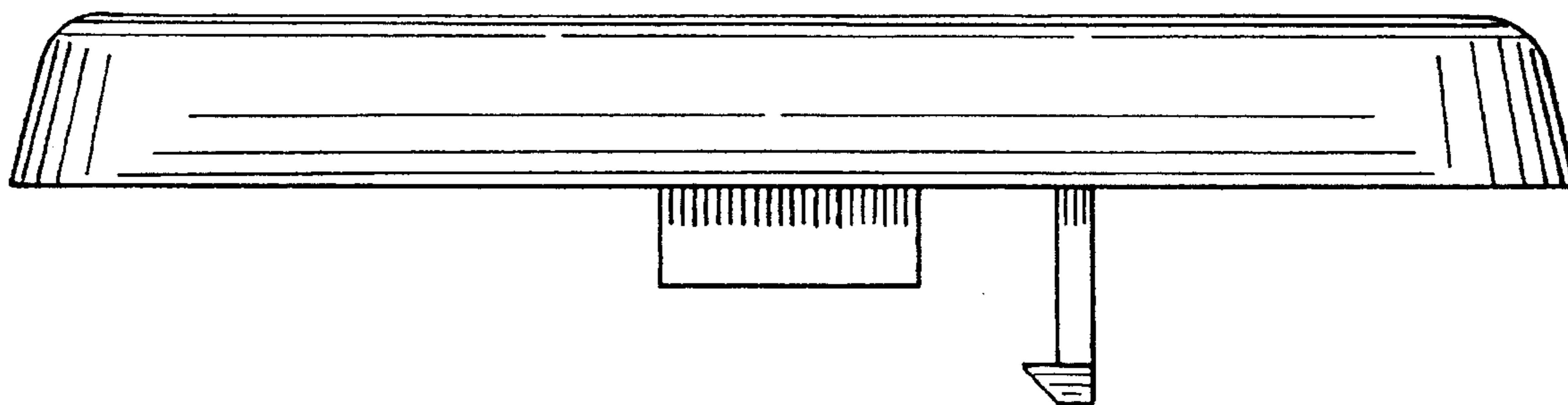


FIG-2

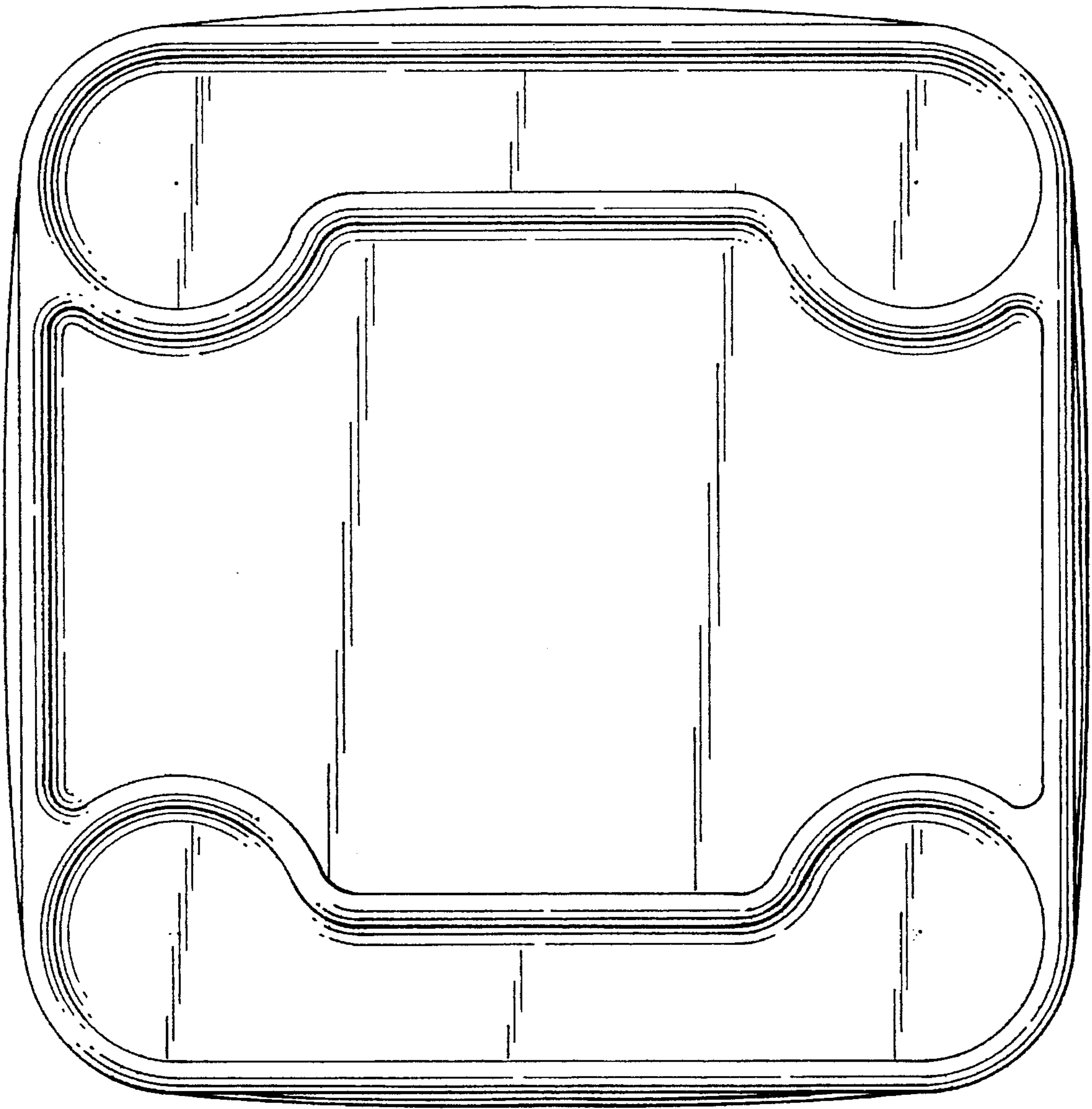


FIG-4

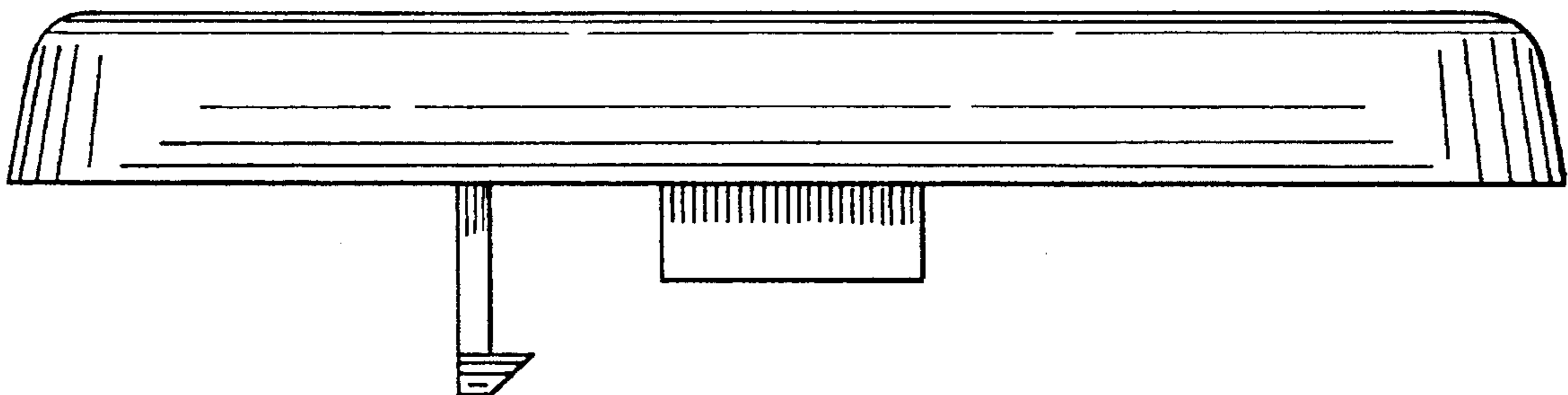


FIG-3

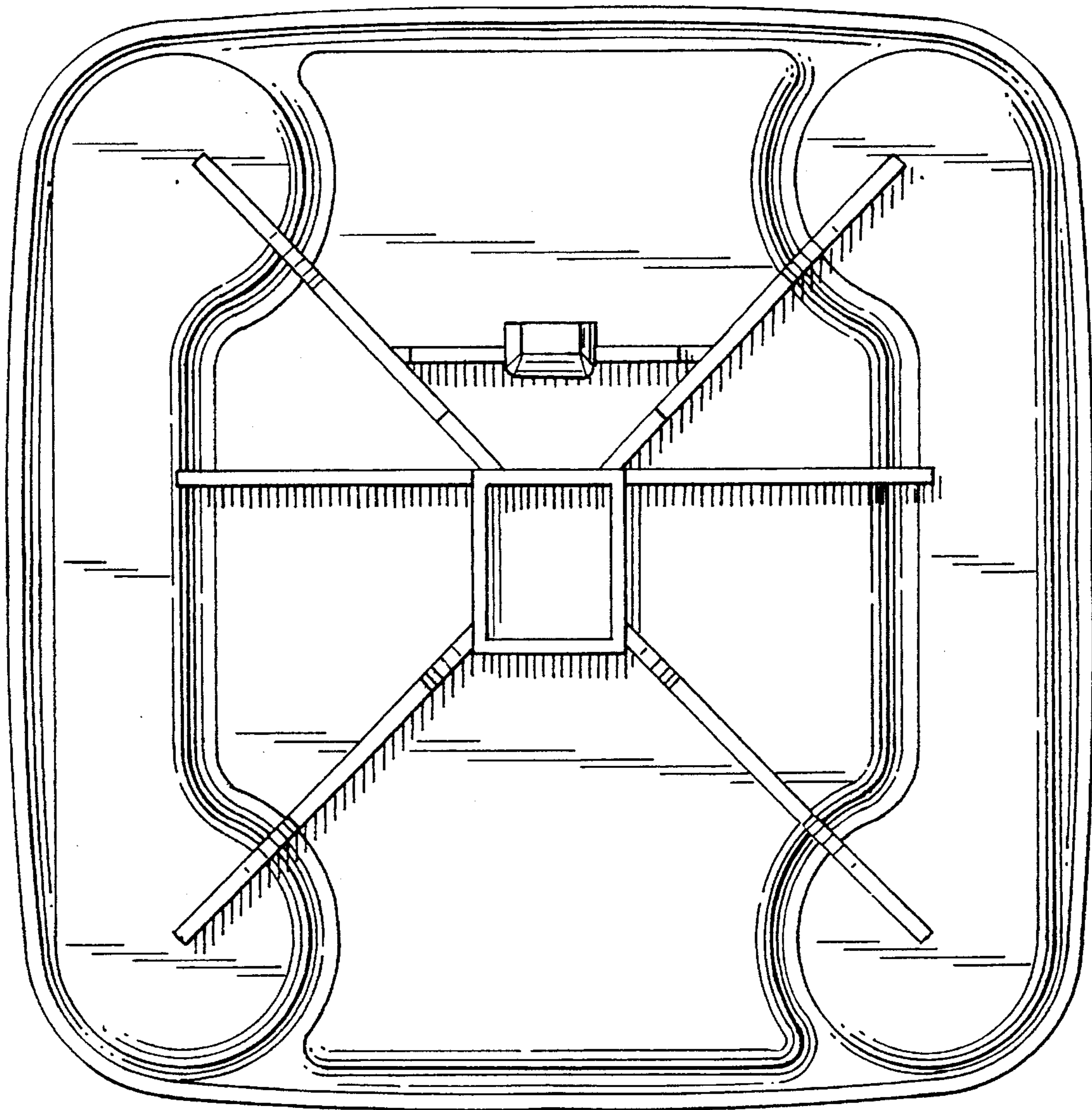


FIG-6

