



US00D373693S

# United States Patent [19]

Elhage

[11] Patent Number: **Des. 373,693**

[45] Date of Patent: **\*\*Sep. 17, 1996**

[54] **DISPLAY CASE**

[76] Inventor: **Jim Elhage**, 80 Speers Rd. #308,  
Oakville, Ont., Canada, L6K 2E6

[\*\*] Term: **14 Years**

[21] Appl. No.: **44,588**

[22] Filed: **Sep. 27, 1995**

[30] **Foreign Application Priority Data**

Mar. 27, 1995 [CA] Canada ..... 1995-0684

[52] **U.S. Cl.** ..... **D6/470**

[58] **Field of Search** ..... D6/470, 471, 472,  
D6/432, 436; D7/323, 337, 339, 350; 312/114,  
116; 211/42, 41, 40; 206/44 R, 45.19, 45.34

[56] **References Cited**

**U.S. PATENT DOCUMENTS**

D. 4,477 11/1870 Grove ..... D6/470 X

D. 85,605	11/1931	Thompson	.....	D6/470 X
D. 154,677	8/1949	Hawkins	.....	D6/470 X
D. 197,320	1/1964	Cook	.....	D6/470
272,883	2/1883	Ingalls	.....	211/42 X
D. 275,916	10/1984	Brandel	.....	D6/470 X
D. 351,518	10/1994	Burgess	.....	D6/470
D. 362,766	10/1995	Elhage	.....	D6/470

*Primary Examiner*—James M. Gandy  
*Assistant Examiner*—S. Snapp  
*Attorney, Agent, or Firm*—Rogers & Scott

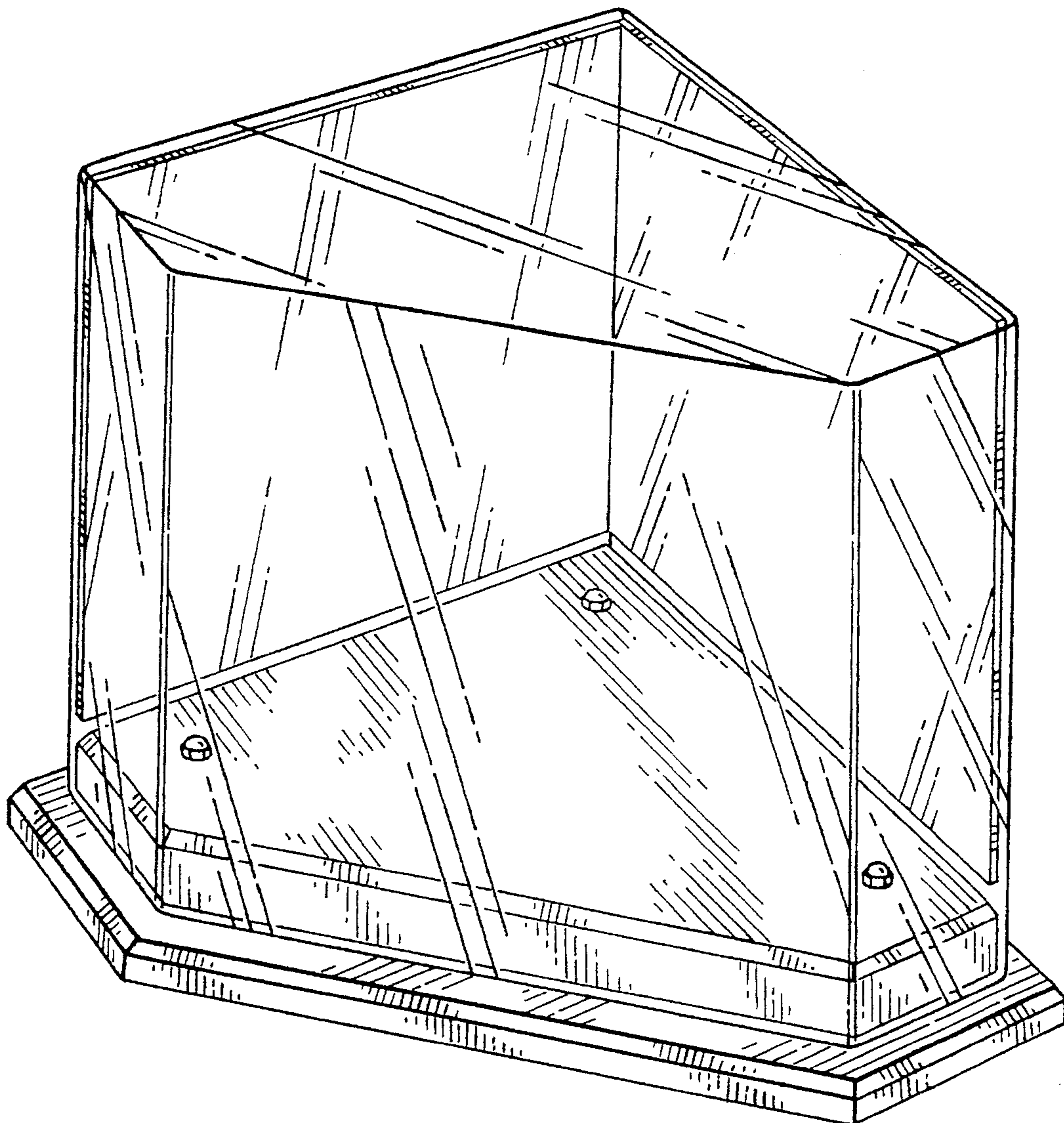
### [57] CLAIM

The ornamental design for a display case, as shown.

### DESCRIPTION

FIG. 1 is a front perspective view of the display case;  
FIG. 2 is a rear perspective view; and,  
FIG. 3 is a front perspective view thereof showing the  
underside of the base.

**1 Claim, 3 Drawing Sheets**



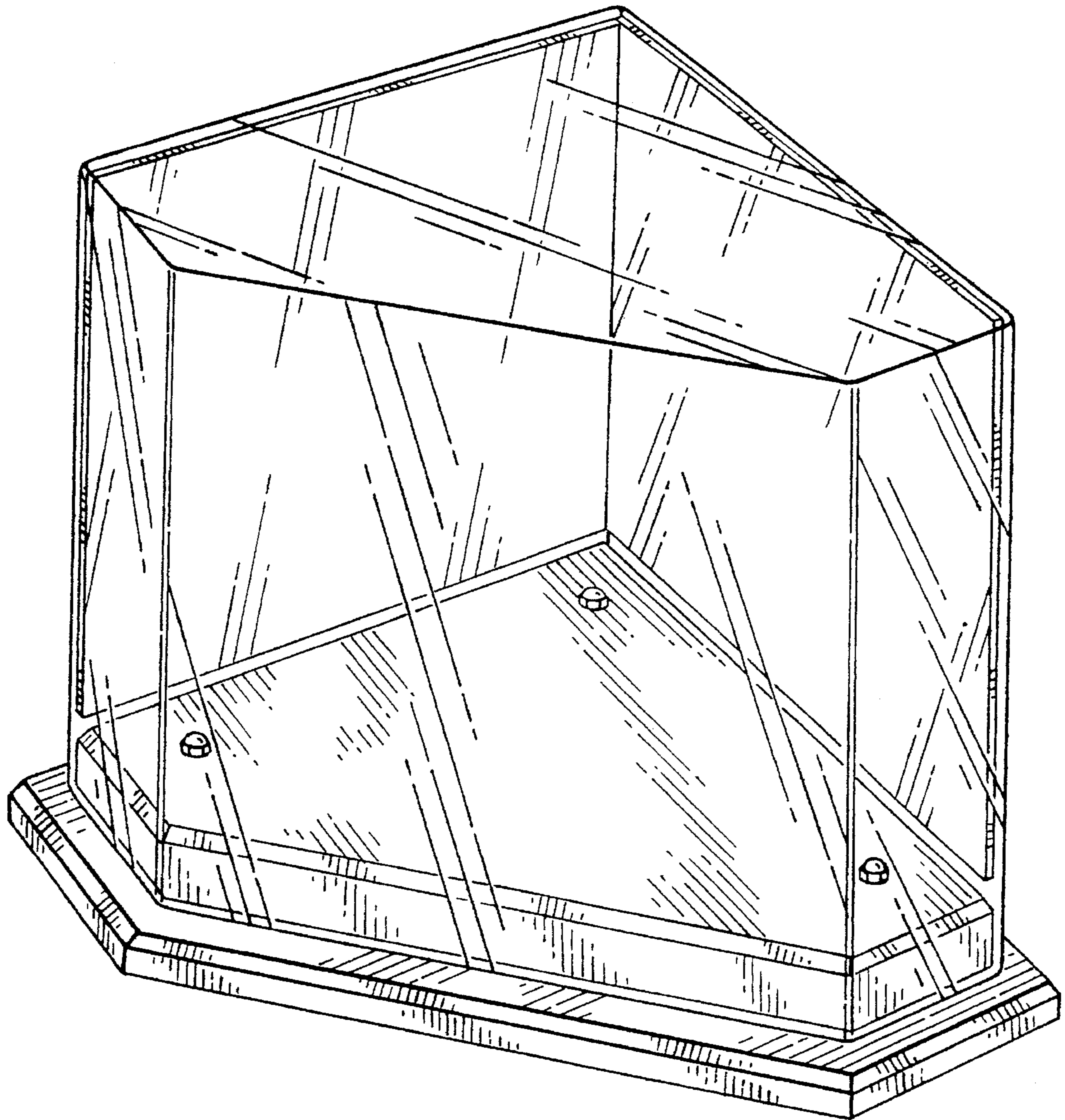


FIG.1

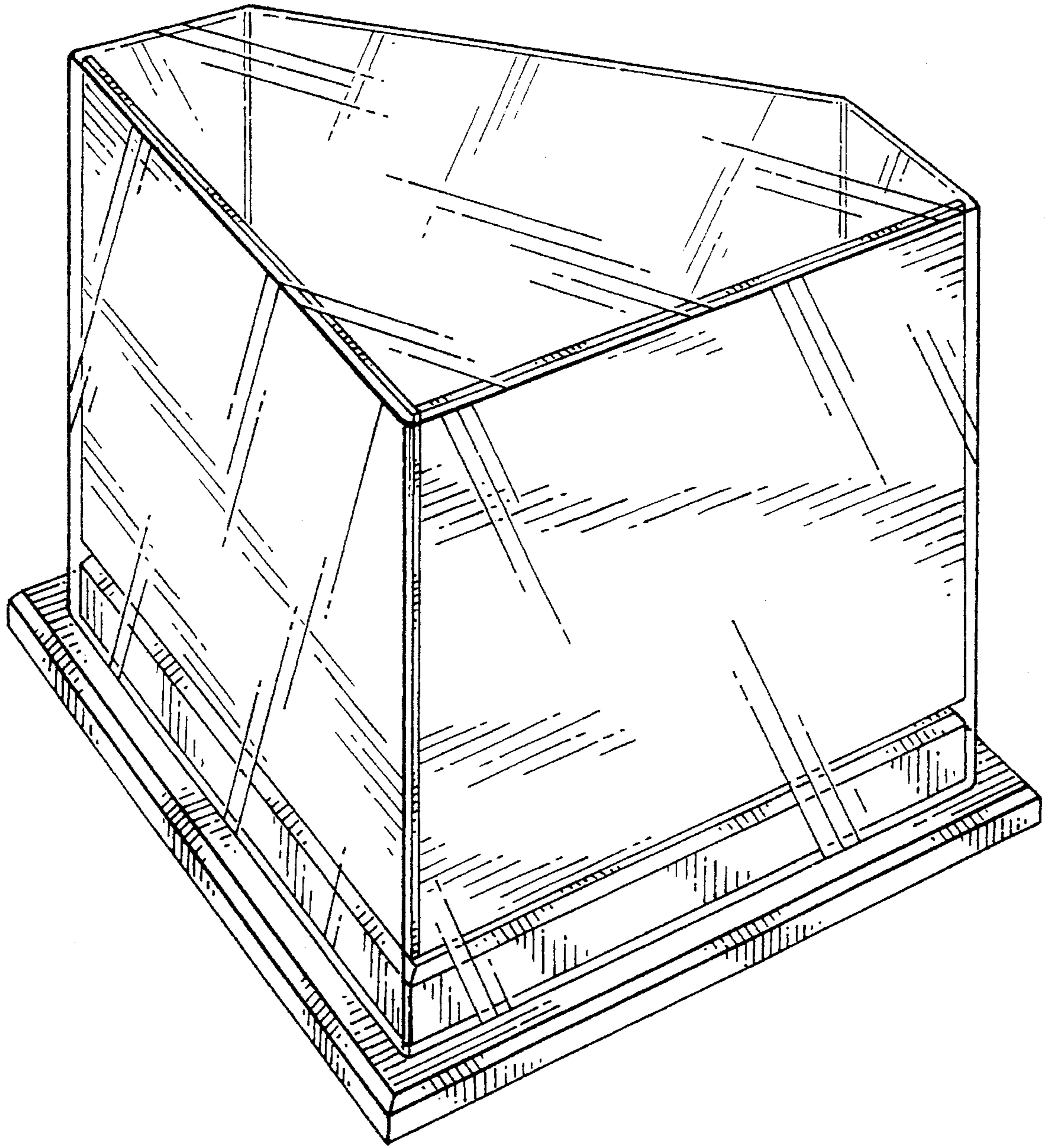


FIG. 2

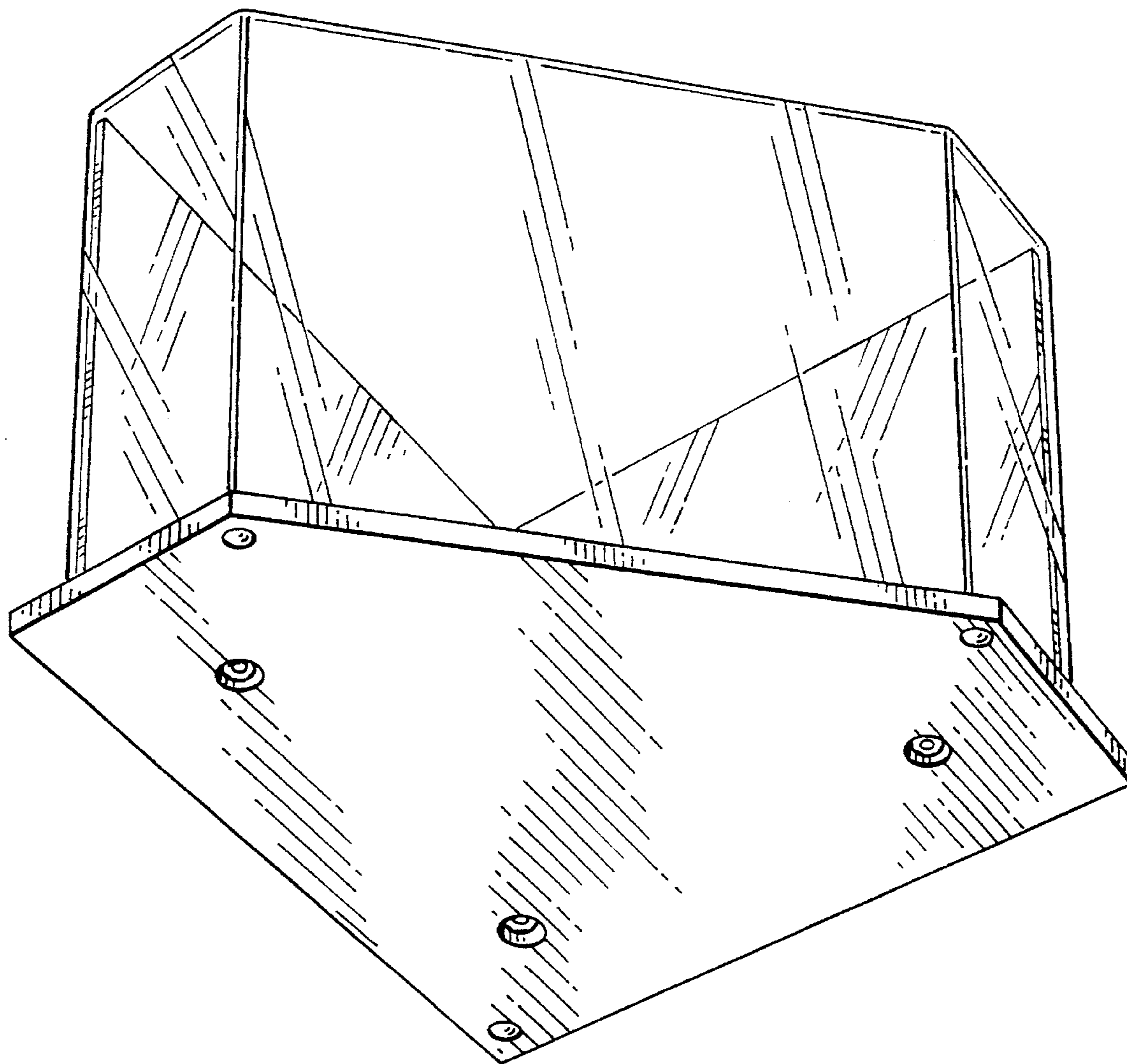


FIG. 3