



US00D373687S

United States Patent [19]

Walters, III et al.

[11] Patent Number: **Des. 373,687**

[45] Date of Patent: ****Sep. 17, 1996**

[54] **BED**

[75] Inventors: **Guy A. Walters, III**, High Point; **Avis E. Tobin, Jr.**, Thomasville, both of N.C.

[73] Assignee: **Thomasville Furniture Industries, Inc.**, Thomasville, N.C.

[**] Term: **14 Years**

[21] Appl. No.: **29,977**

[22] Filed: **Oct. 20, 1994**

[52] U.S. Cl. **D6/389**

[58] Field of Search D6/382, 383, 388, D6/389-395, 500-508; 5/53.1, 279.1

[56] **References Cited**

U.S. PATENT DOCUMENTS

D. 352,844 11/1994 Keller D6/389

OTHER PUBLICATIONS

Drexel Consensus, c1976, p. 7, canopy bed at bottom of page.

Woodward and Lothrop, Jan. 31, 1982, p. 13, bed at center top.

United Bedrooms, bed at bottom of page.
Century Furniture Chandlers Court Catalog, p. 39.

Primary Examiner—Janice E. Seeger
Attorney, Agent, or Firm—Rhodes, Coats & Bennett, L.L.P.

[57] **CLAIM**

The ornamental design for a bed, as shown and described.

DESCRIPTION

FIG. 1 is a front-side perspective view of a bed showing our new design;

FIG. 2 is a side elevational view thereof;

FIG. 3 is a front perspective view thereof, the dotted lines indicating environmental elements only;

FIG. 4 is a first partial perspective view of the lattice canopy design viewed from the bed looking up;

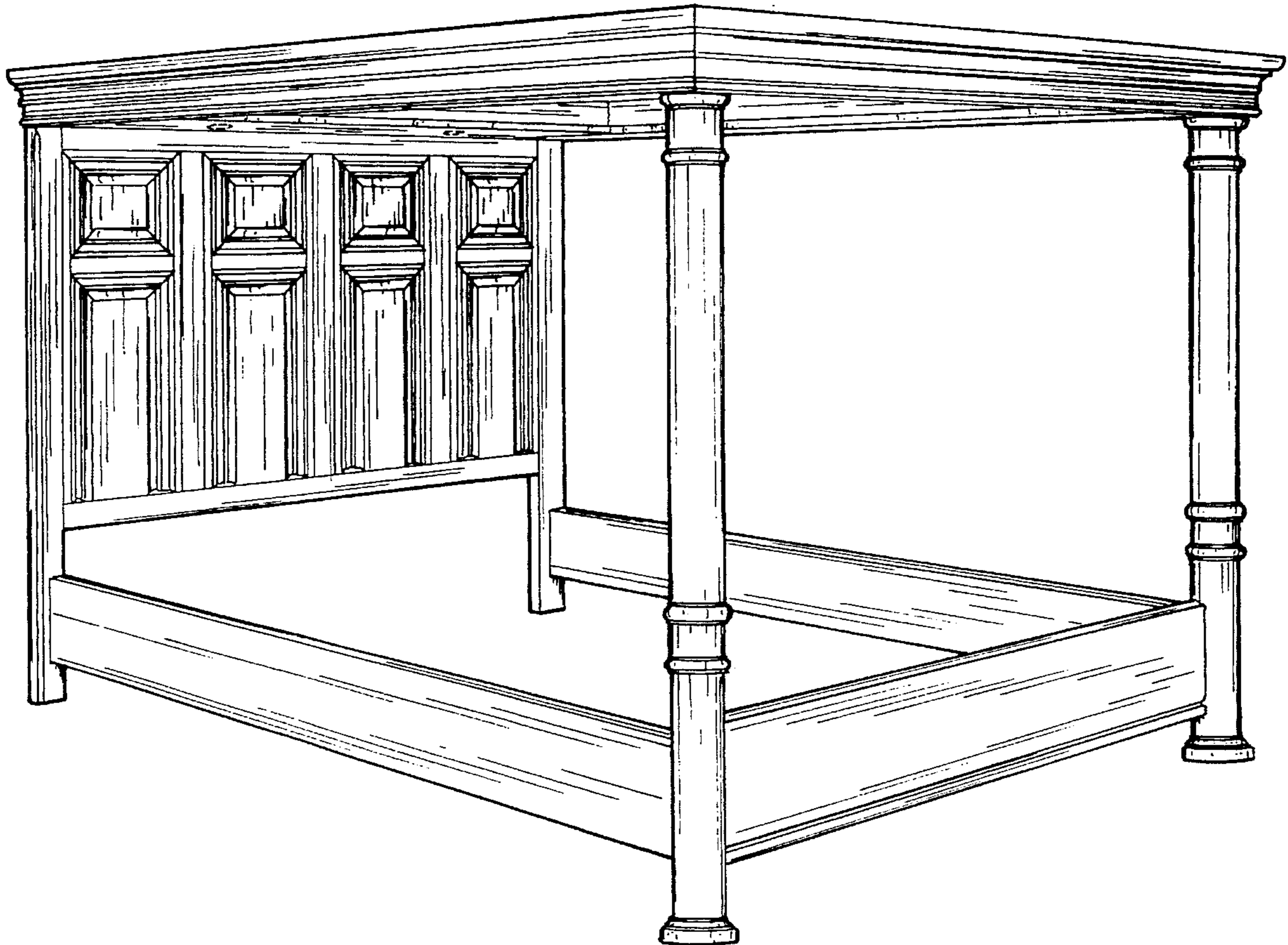
FIG. 5 is a second partial perspective view of the lattice canopy design viewed from the bed looking up;

FIG. 6 is a first partial perspective of the headboard section of our new design; and,

FIG. 7 is a second partial perspective of the headboard section of our new design.

The rear of the headboard and footboard are flat and unornamented.

1 Claim, 7 Drawing Sheets



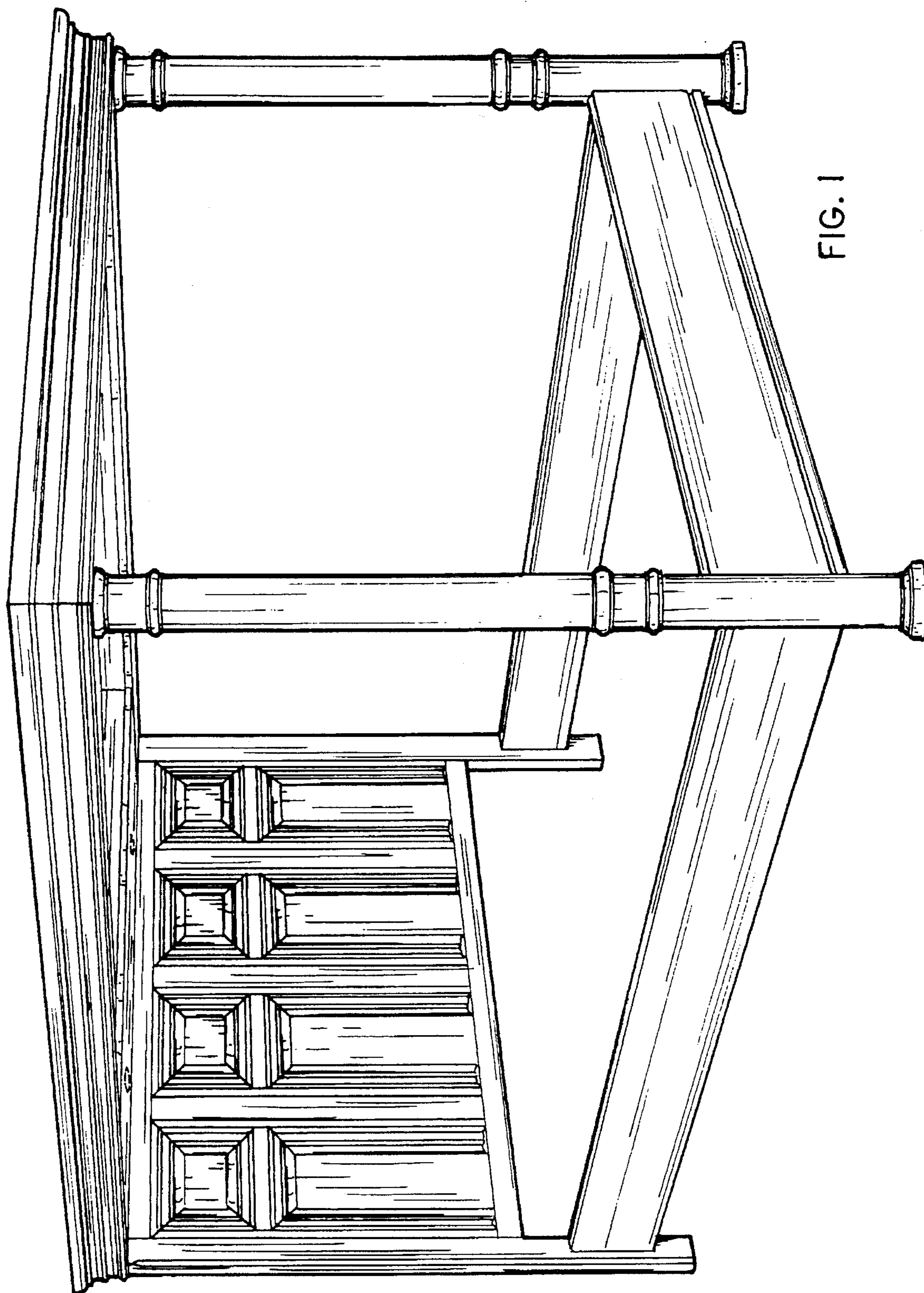
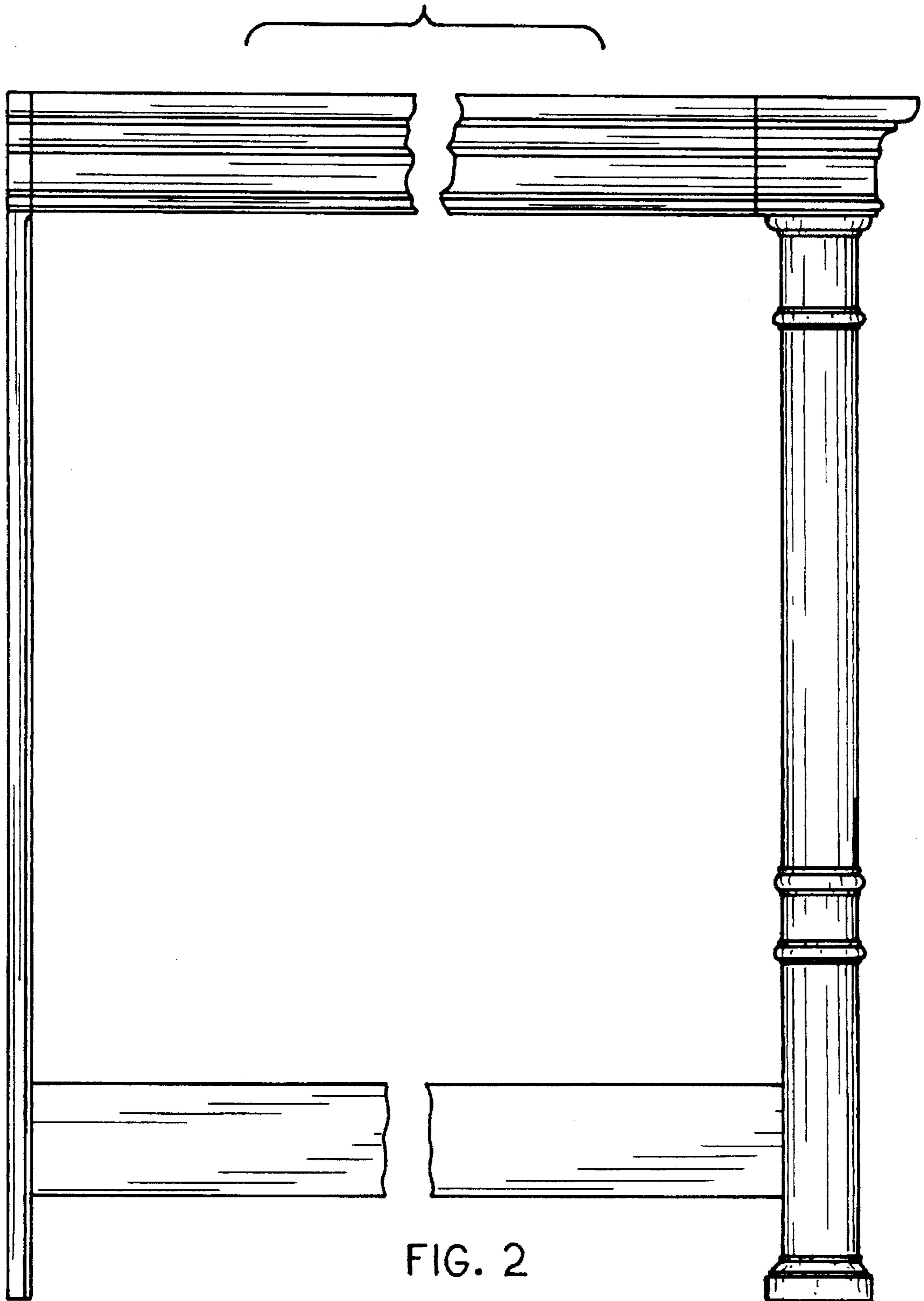


FIG. 1



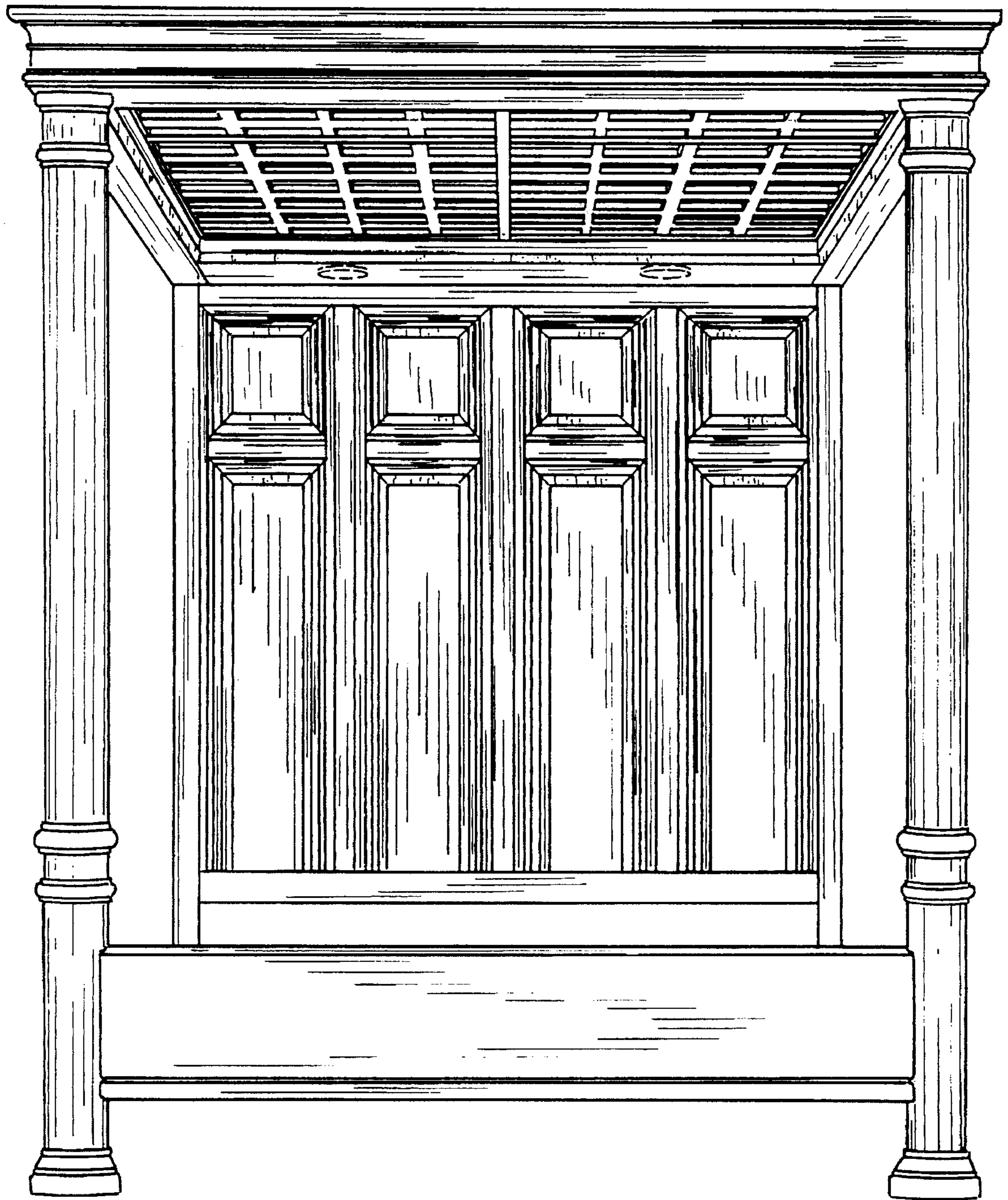


FIG. 3

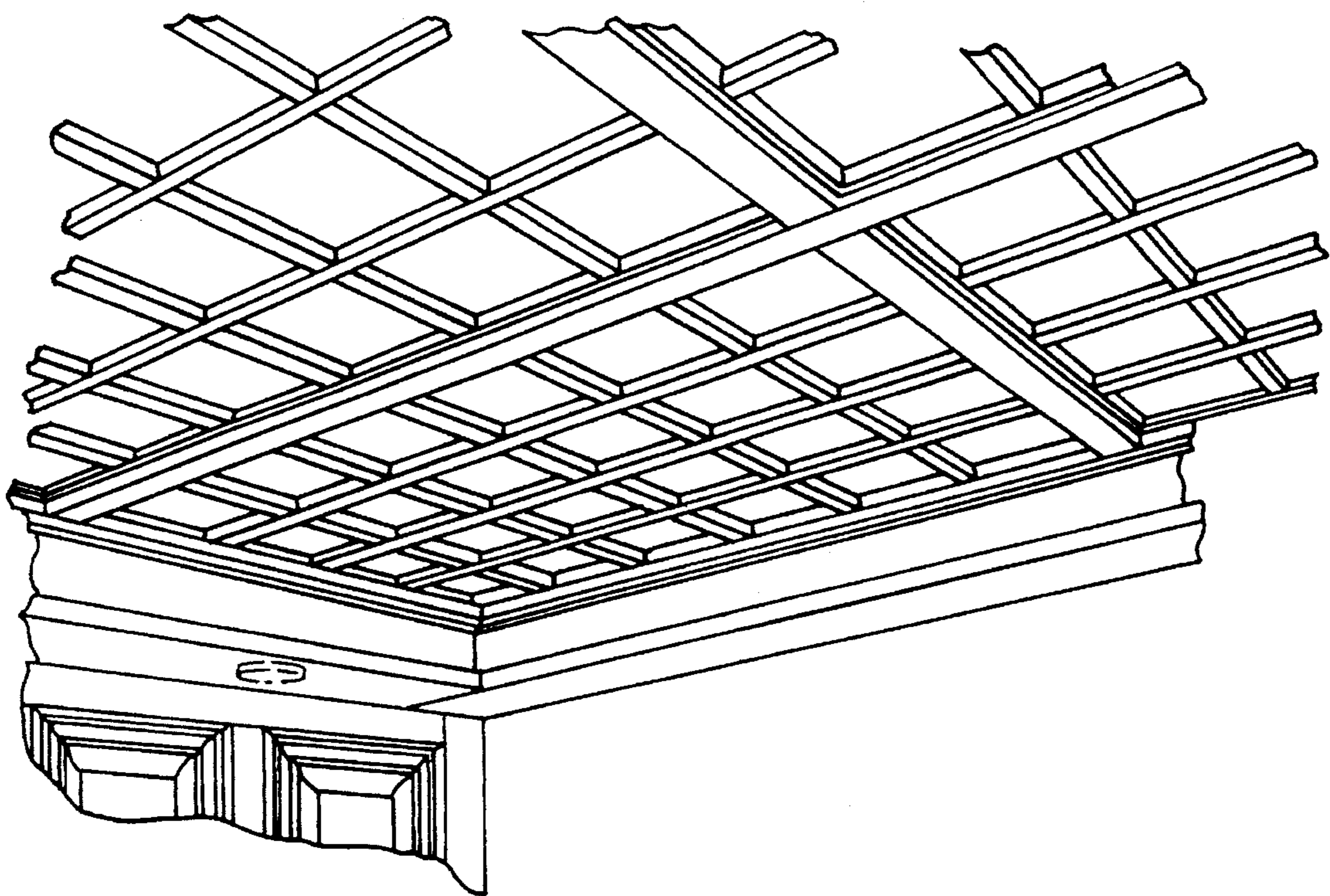


FIG. 4

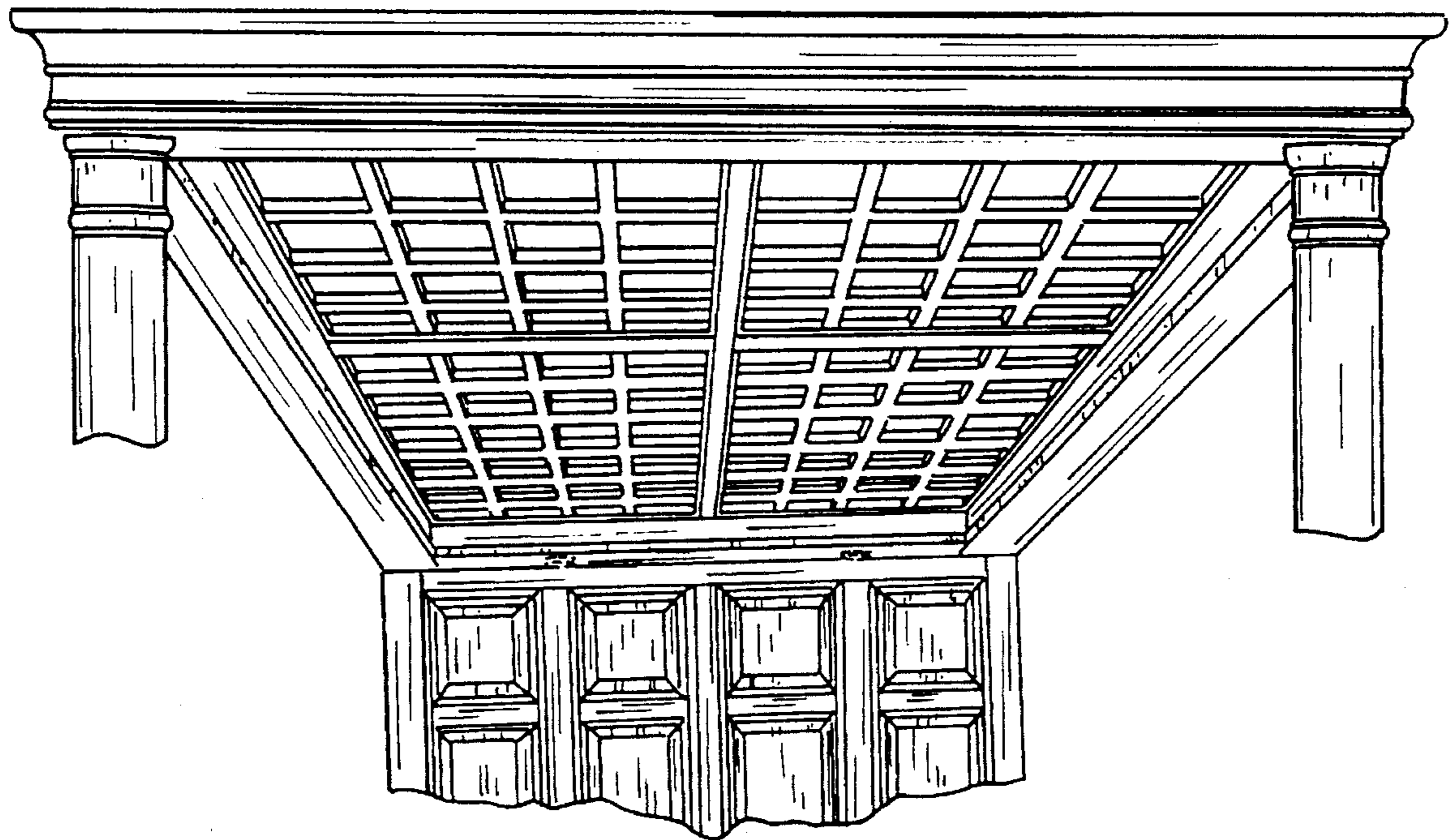


FIG. 5

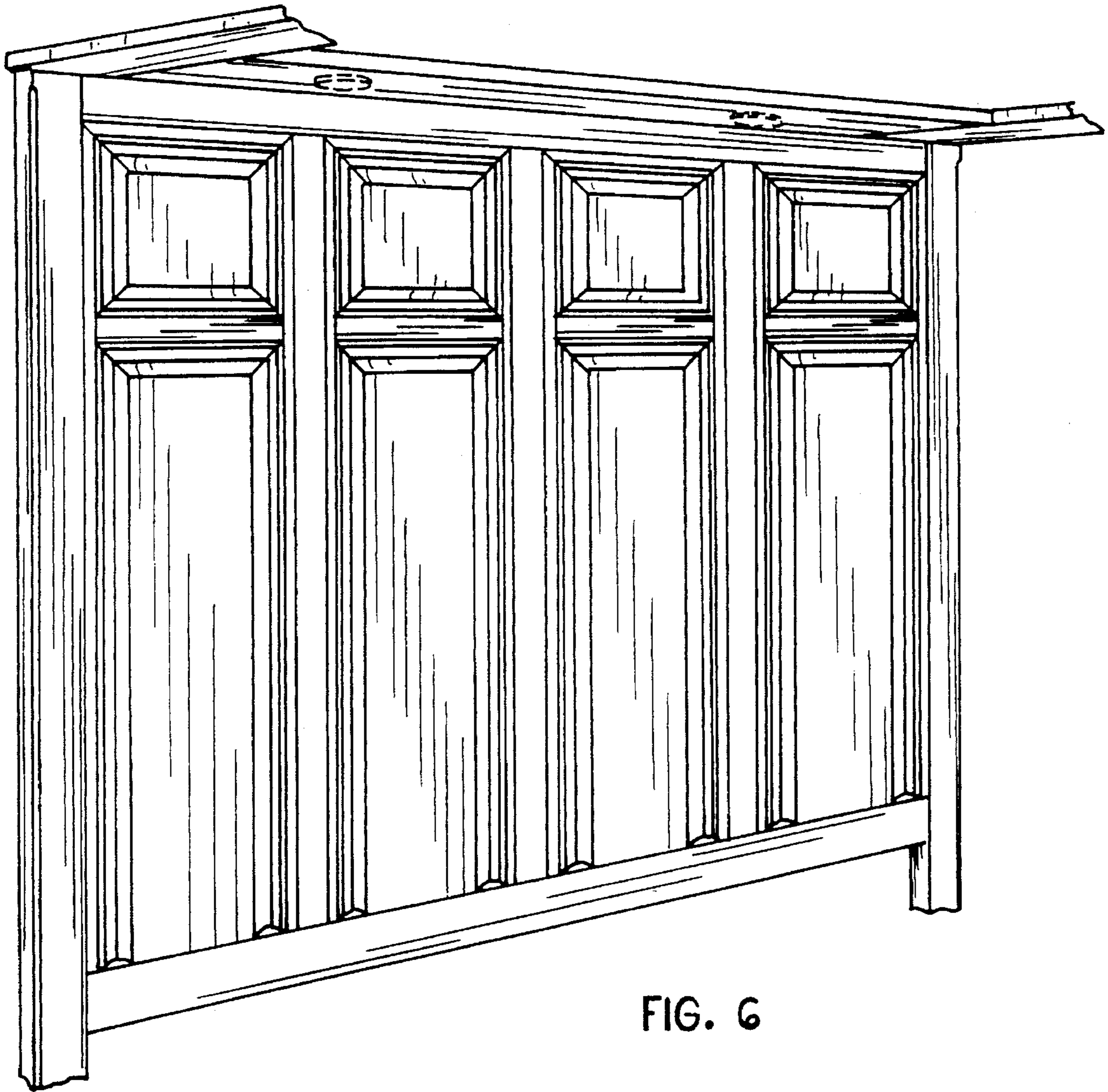


FIG. 6

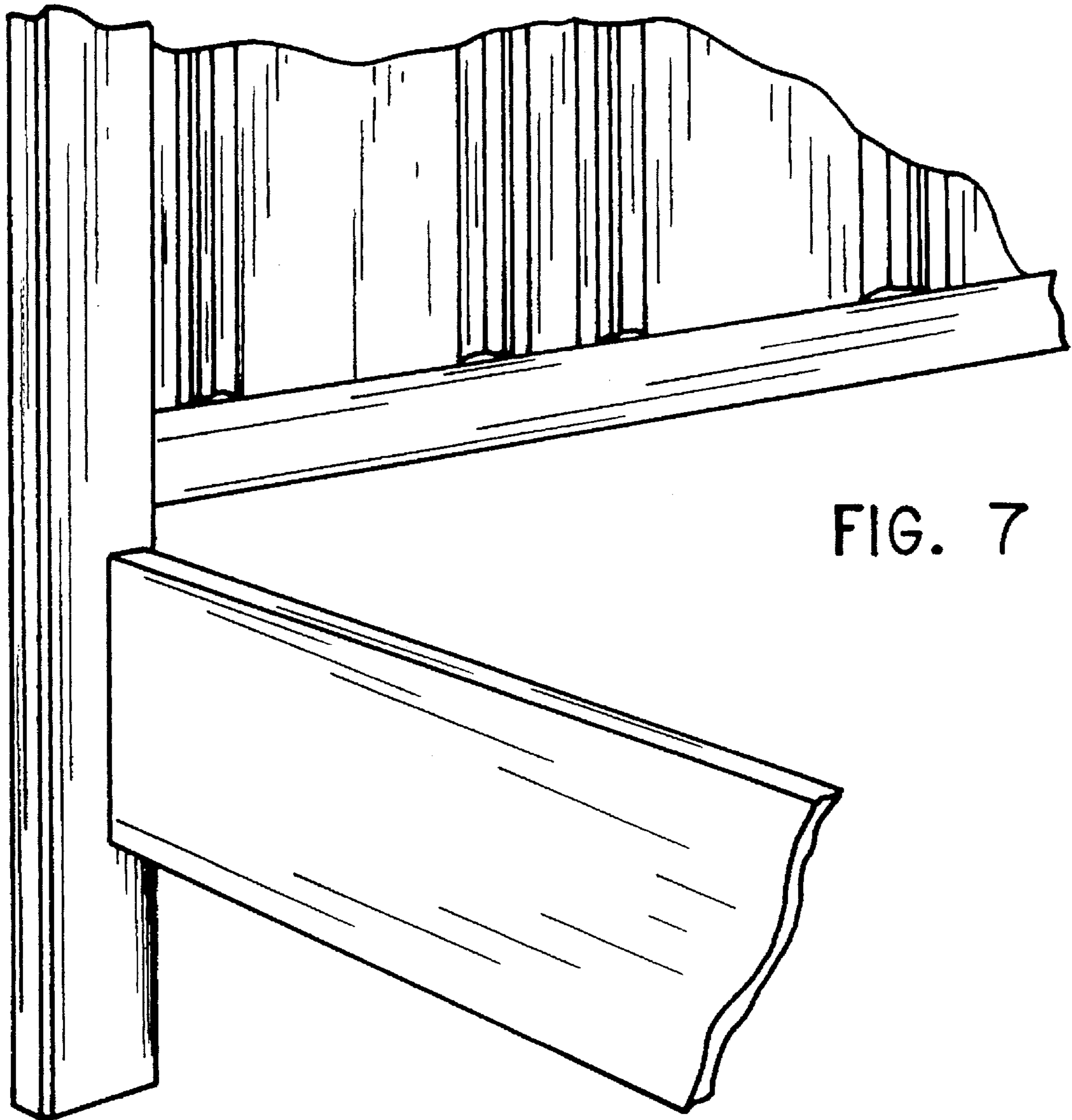


FIG. 7