



US00D373685S

United States Patent [19]

[11] Patent Number: **Des. 373,685**

Yoder, Jr.

[45] Date of Patent: ****Sep. 17, 1996**

[54] CHAIR

OTHER PUBLICATIONS

[76] Inventor: **James H. Yoder, Jr.**, 1111 Daniels Church Rd., Lincolnton, N.C. 28092

Making Plastic Pipe Furniture, Max & Charlotte Alth, 1981, p. 115, Chair at top left.

[**] Term: **14 Years**

Primary Examiner—Gary D. Watson
Attorney, Agent, or Firm—W. Thad Adams, III, P.A.

[21] Appl. No.: **38,972**

[57] CLAIM

[22] Filed: **May 16, 1995**

The ornamental design for a chair, as shown.

[52] U.S. Cl. **D6/370**

DESCRIPTION

[58] Field of Search D6/334, 370, 374, D6/379, 380, 500, 501, 502; 297/377, 451.13

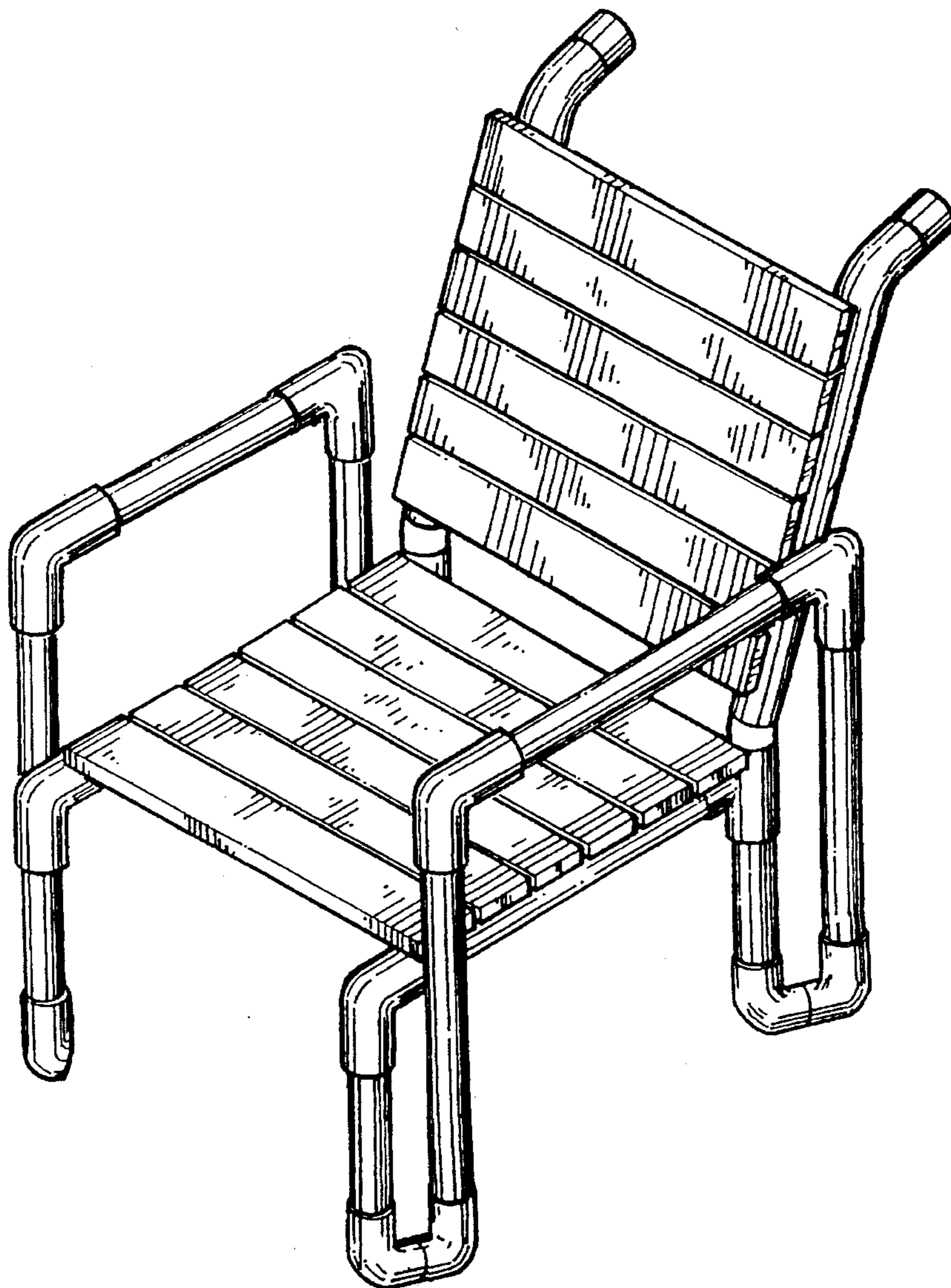
FIG. 1 is a perspective view of the chair;
FIG. 2 is a right side elevational view of the chair;
FIG. 3 is a left side elevational view of the chair;
FIG. 4 is a front elevational view of the chair;
FIG. 5 is a back elevational view of the chair;
FIG. 6 is a bottom plan view of the chair; and,
FIG. 7 is a top plan view of the chair.

[56] References Cited

U.S. PATENT DOCUMENTS

D. 102,030	11/1936	Hoffmann	D6/370
D. 279,243	6/1985	Vanderminder	D6/370
D. 342,629	12/1993	Tseng	D6/370
D. 358,263	5/1995	Yoder, Jr.	D6/370
5,427,435	6/1995	Yoder, Jr.	297/377

1 Claim, 4 Drawing Sheets



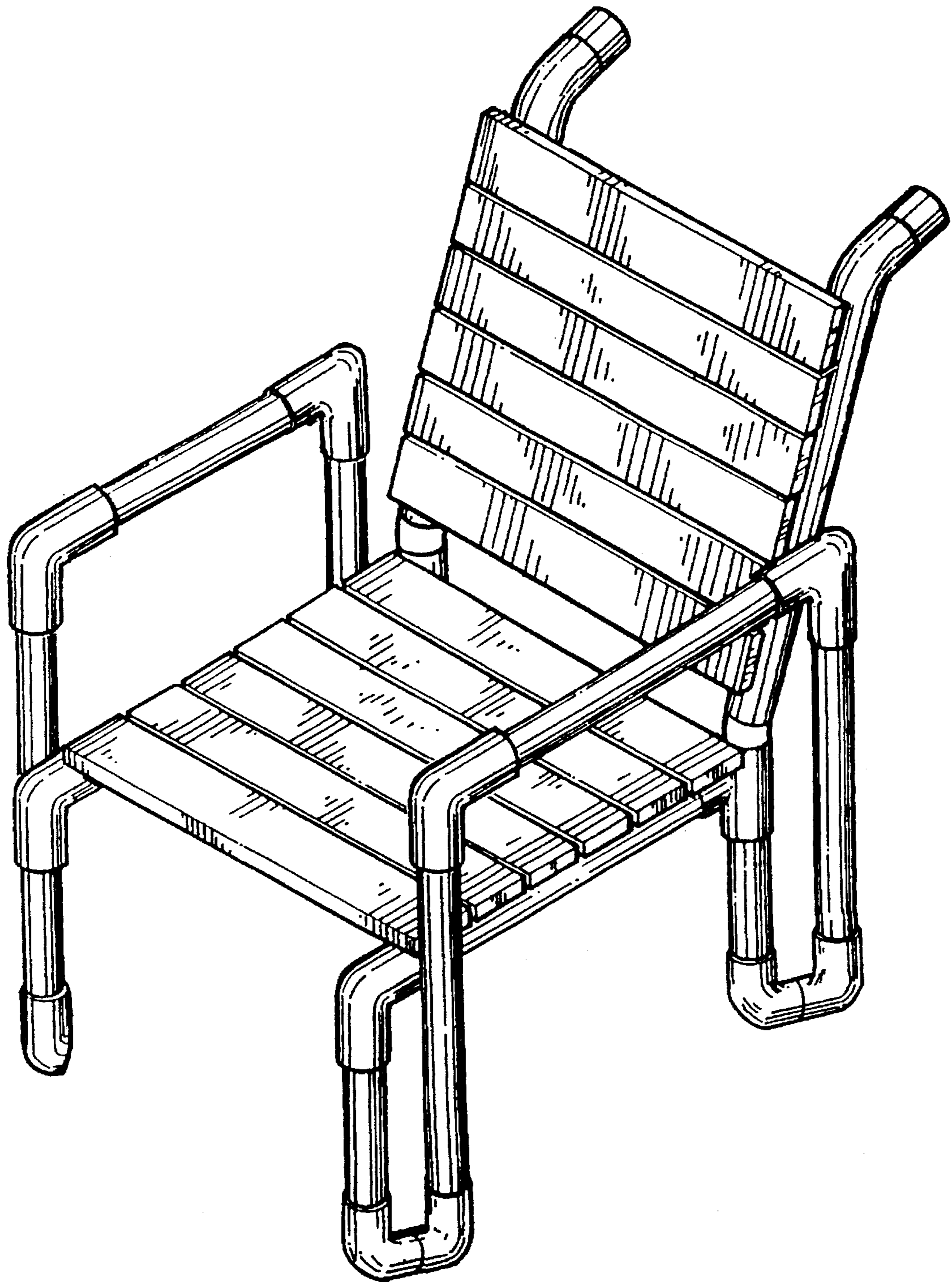


Fig. 1

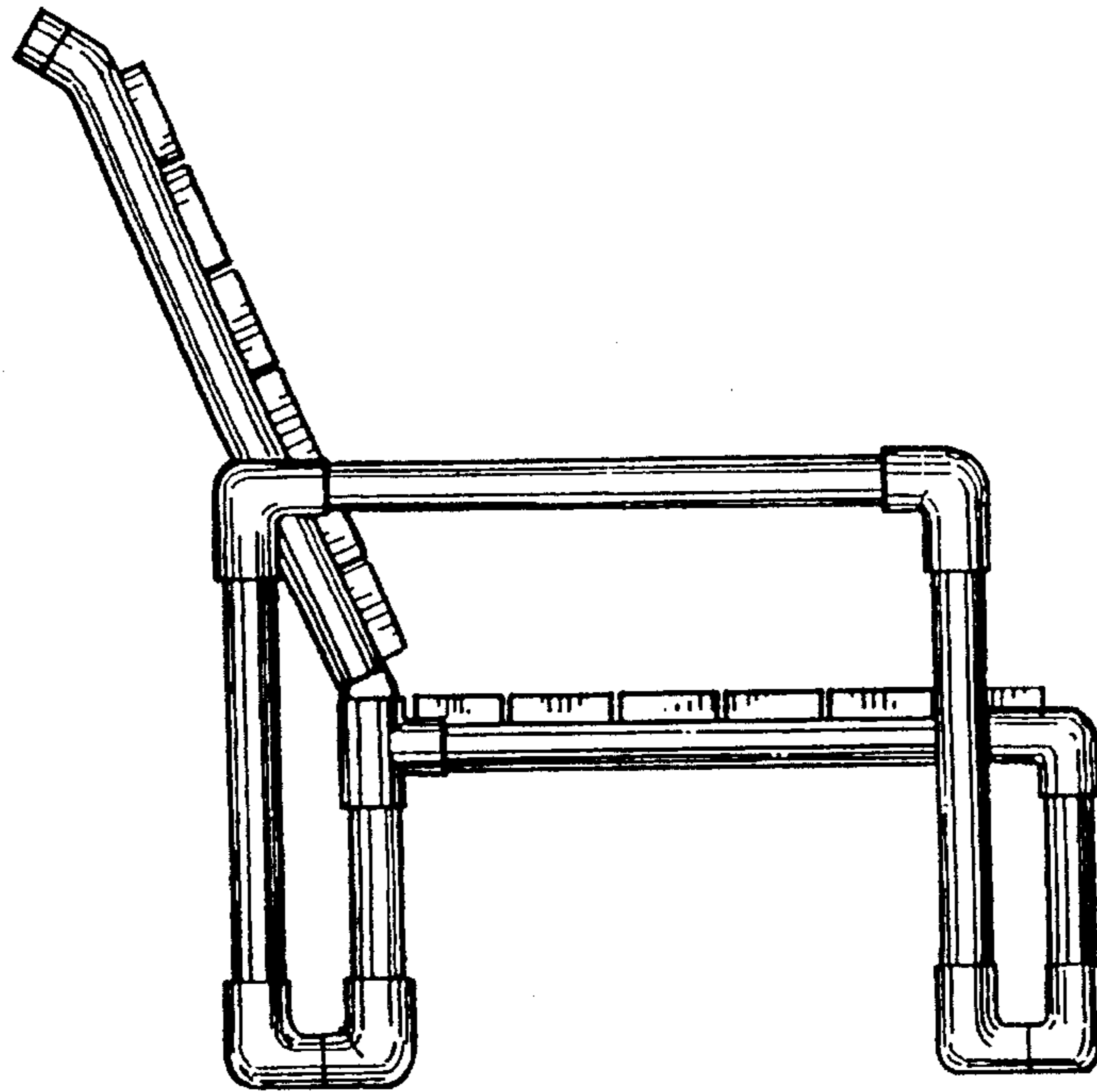


Fig. 2

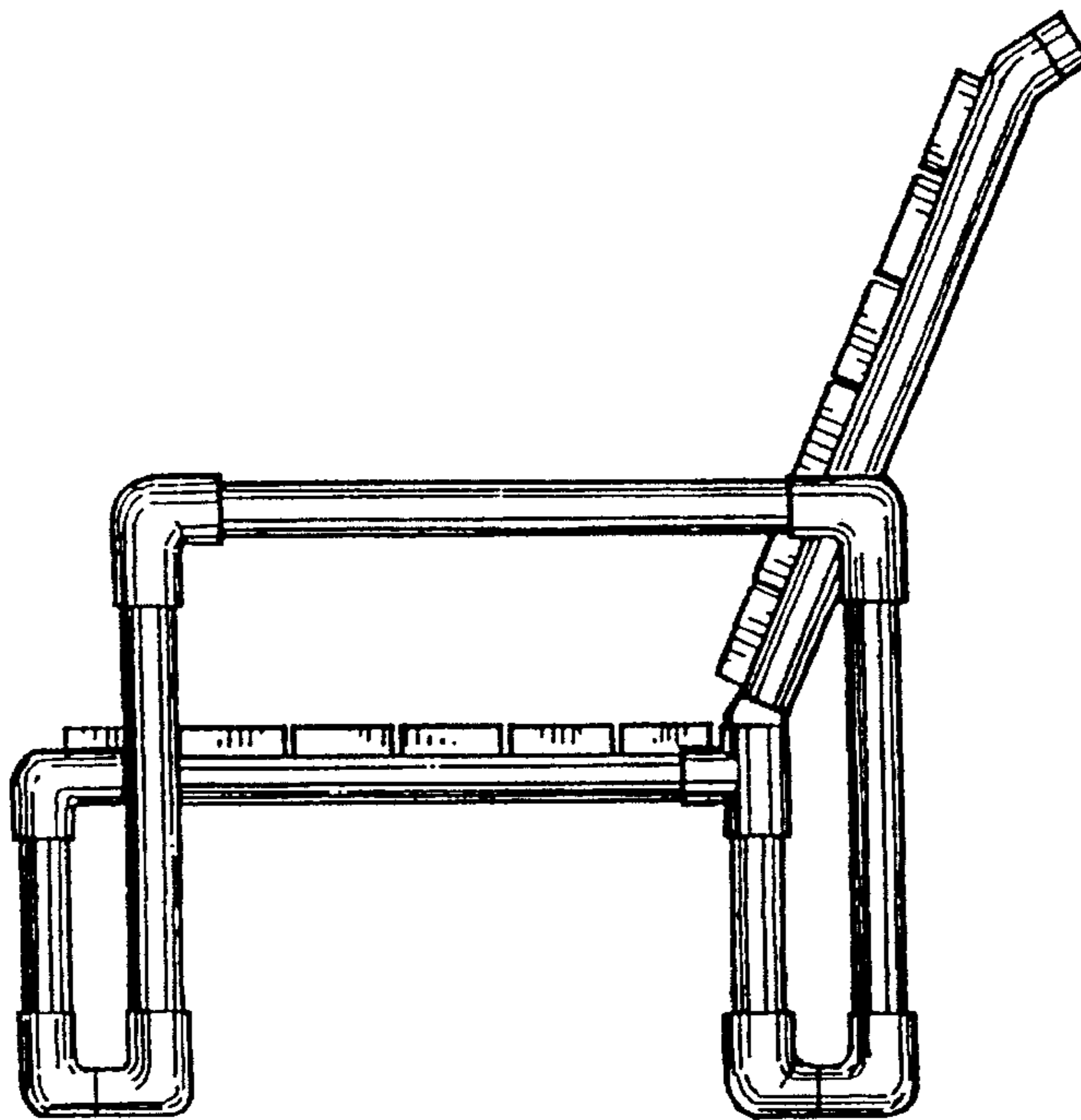


Fig. 3

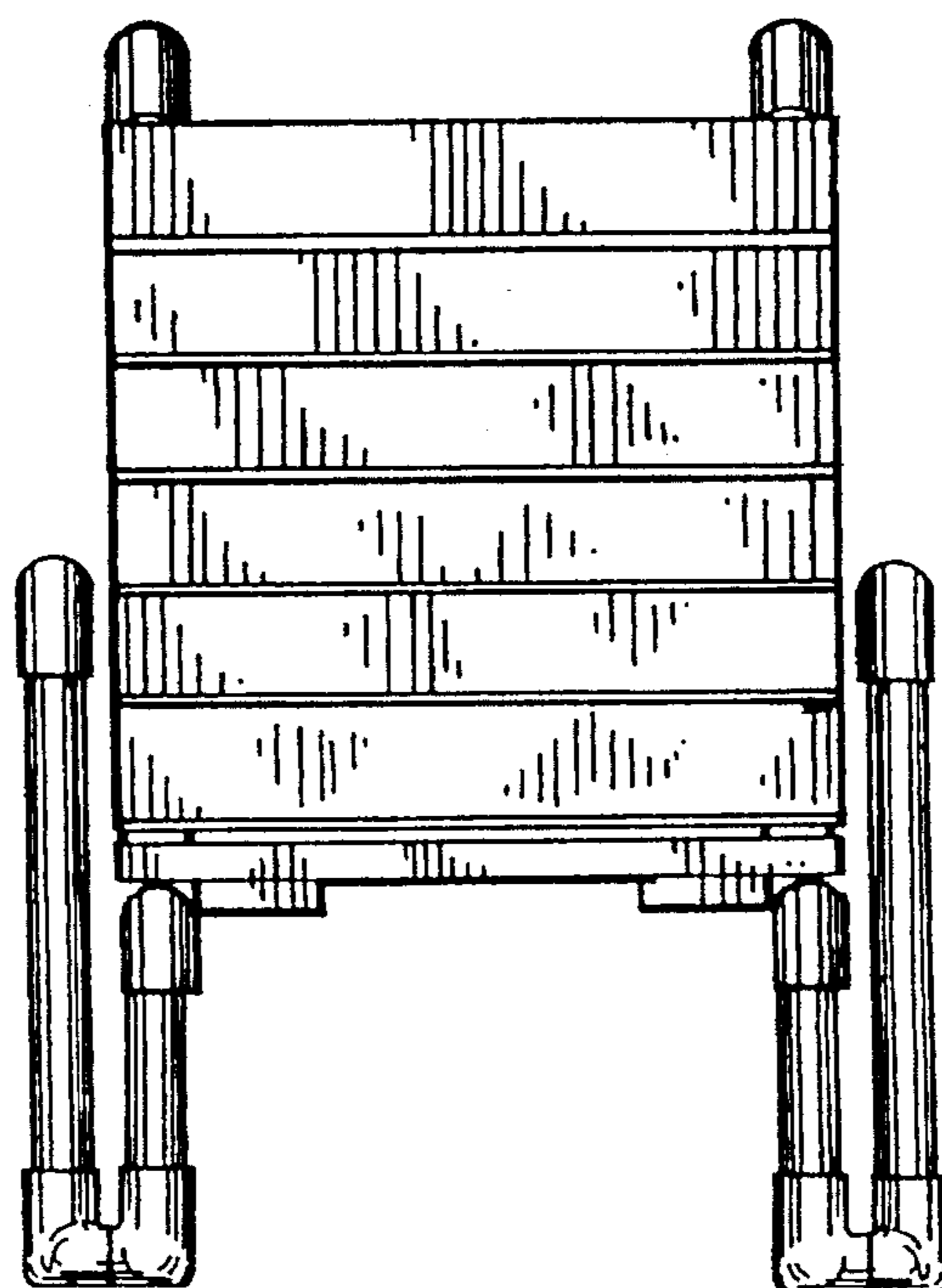


Fig. 4

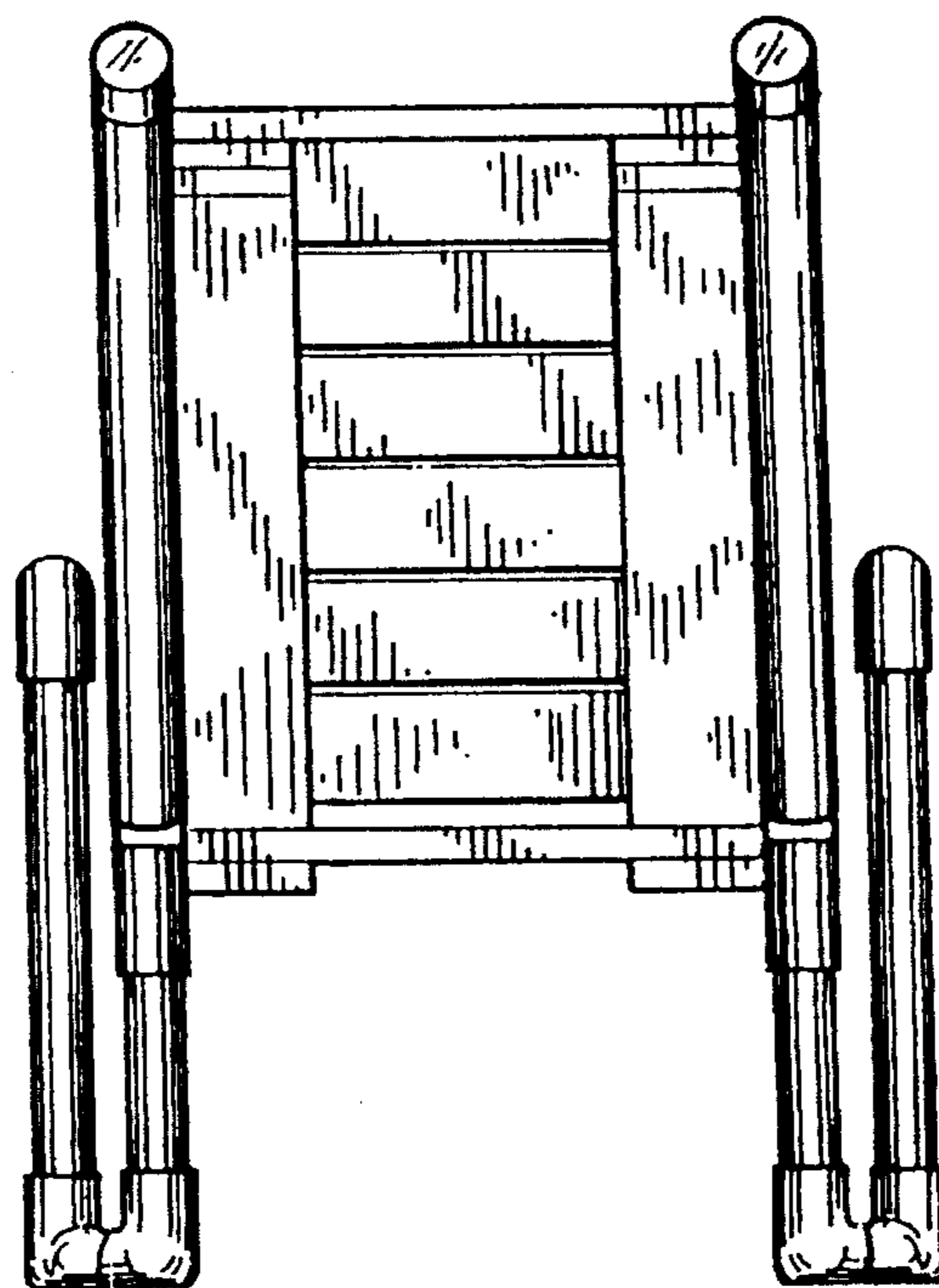


Fig. 5

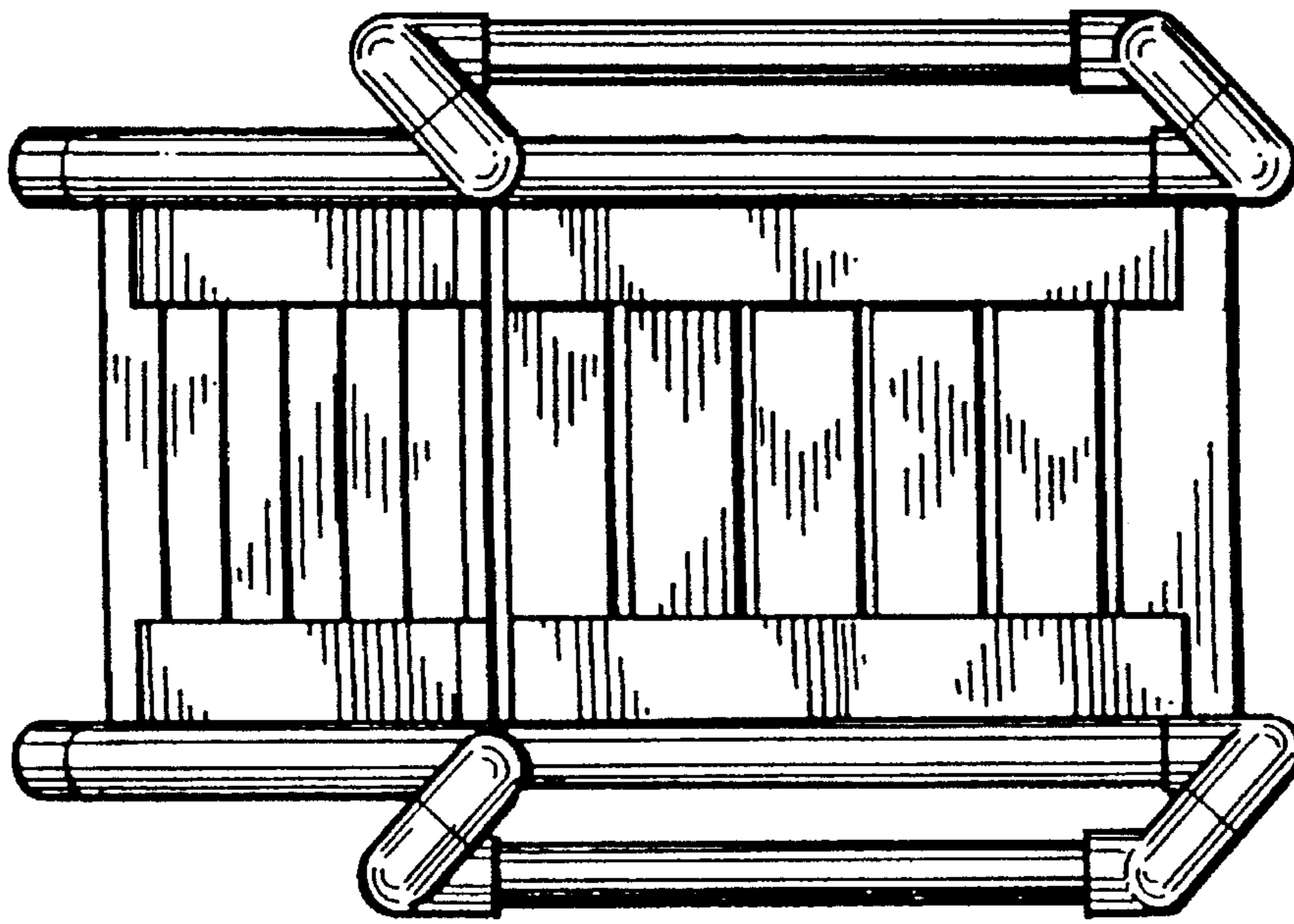


Fig. 6

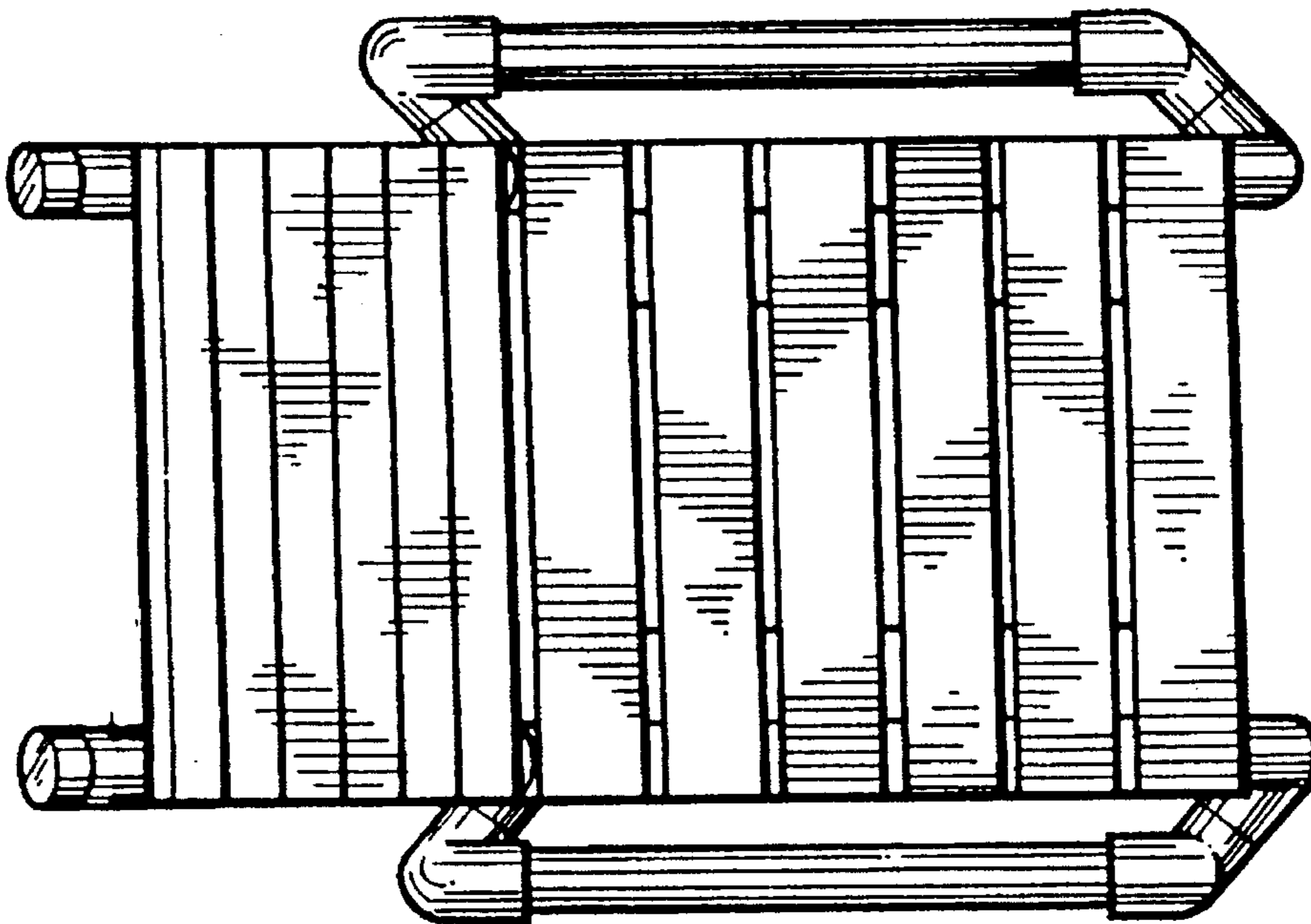


Fig. 7