



US00D373684S

# United States Patent [19]

[11] Patent Number: **Des. 373,684**

Desnoyers

[45] Date of Patent: **\*\*Sep. 17, 1996**

[54] CHAIR

### FOREIGN PATENT DOCUMENTS

[75] Inventor: **Charles Desnoyers**, Quebec, Canada

2032801 11/1993 United Kingdom .

[73] Assignee: **Dutailier Group Inc.**, St-Pie, Canada

### OTHER PUBLICATIONS

[\*\*] Term: **14 Years**

Levitz Ad., p. 4, Chair at bottom center.

[21] Appl. No.: **25,212**

*Primary Examiner*—Gary D. Watson  
*Attorney, Agent, or Firm*—Jacobson, Price, Holman & Stern, PLLC

[22] Filed: **Jul. 29, 1994**

### [57] CLAIM

### [30] Foreign Application Priority Data

The ornamental design for a chair, as shown and described.

Apr. 13, 1994 [CA] Canada ..... 1994-0744

[52] U.S. Cl. .... **D6/344**

[58] Field of Search ..... D6/334, 344, 347,  
D6/370, 379, 500, 501, 502; 297/273, 281,  
282

### DESCRIPTION

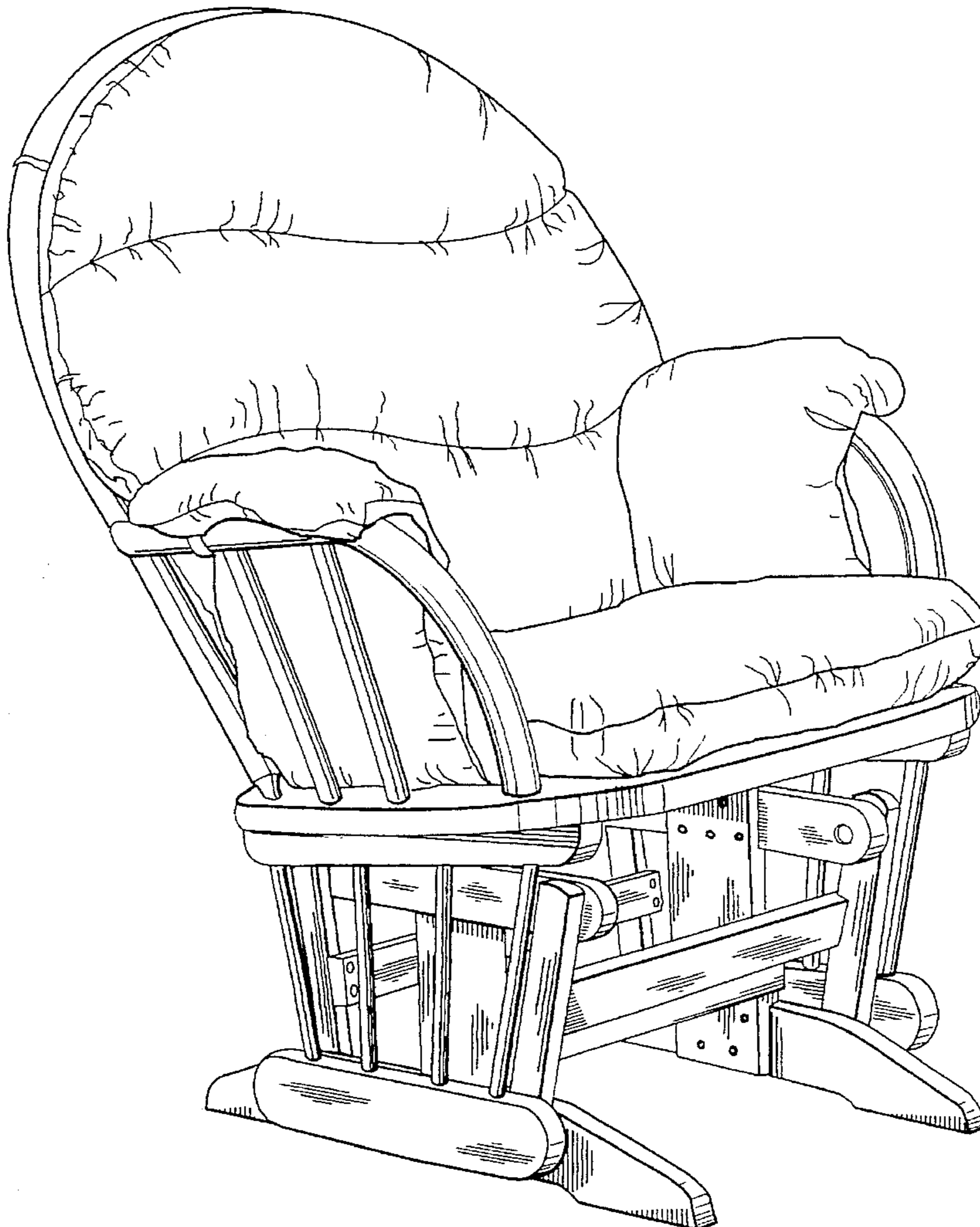
FIG. 1 is a perspective view of the chair;  
FIG. 2 is a side elevational view of the chair, the opposite side being a mirror image thereof;  
FIG. 3 is a rear elevational view of the chair;  
FIG. 4 is a front elevational view thereof; and,  
FIG. 5 is a top plan view of the chair.

### [56] References Cited

#### U.S. PATENT DOCUMENTS

D. 353,267 12/1994 Desnoyers ..... D6/344  
D. 362,969 10/1995 Desnoyers .

**1 Claim, 2 Drawing Sheets**



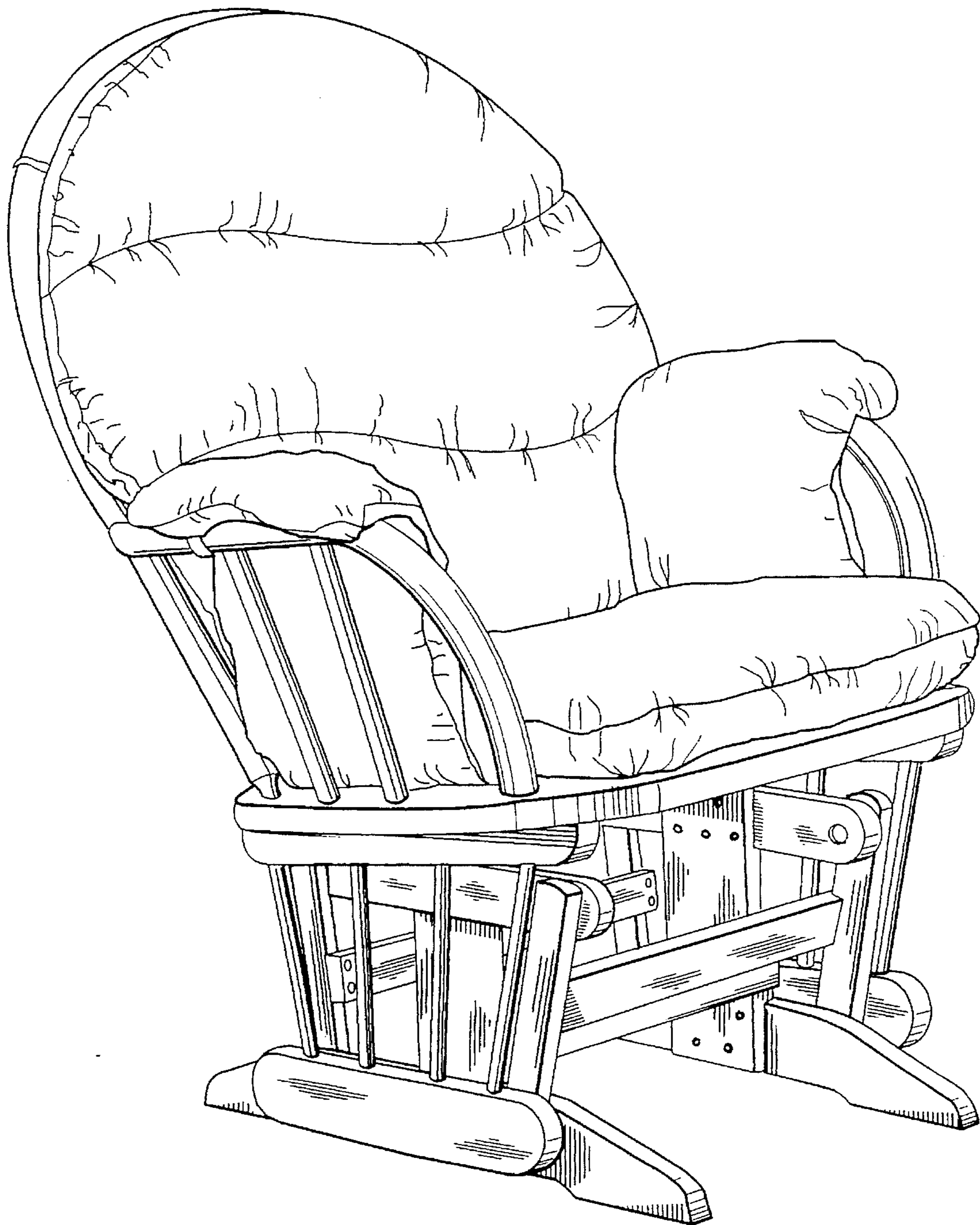


Fig. 1

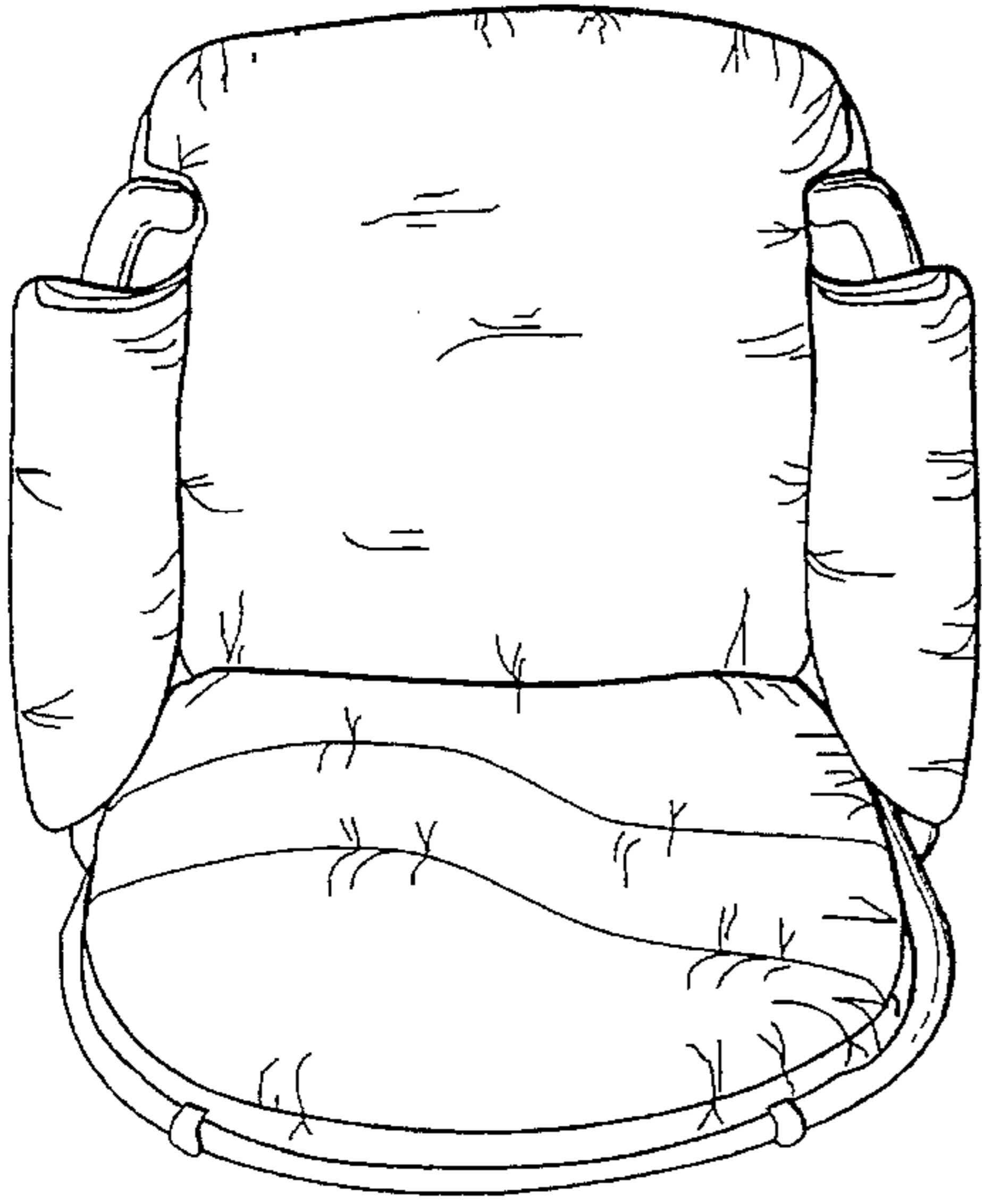


Fig. 5

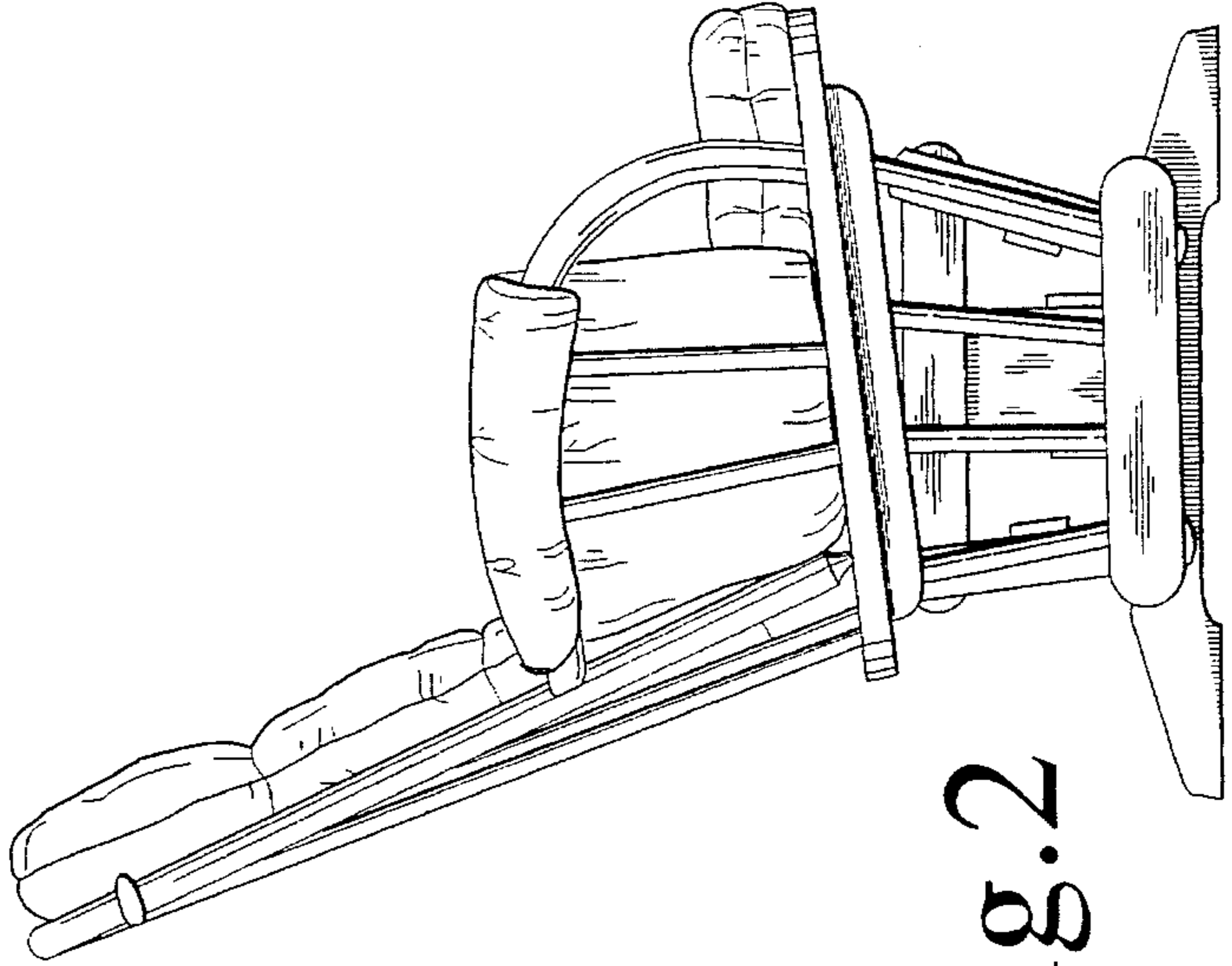


Fig. 2

Fig. 3

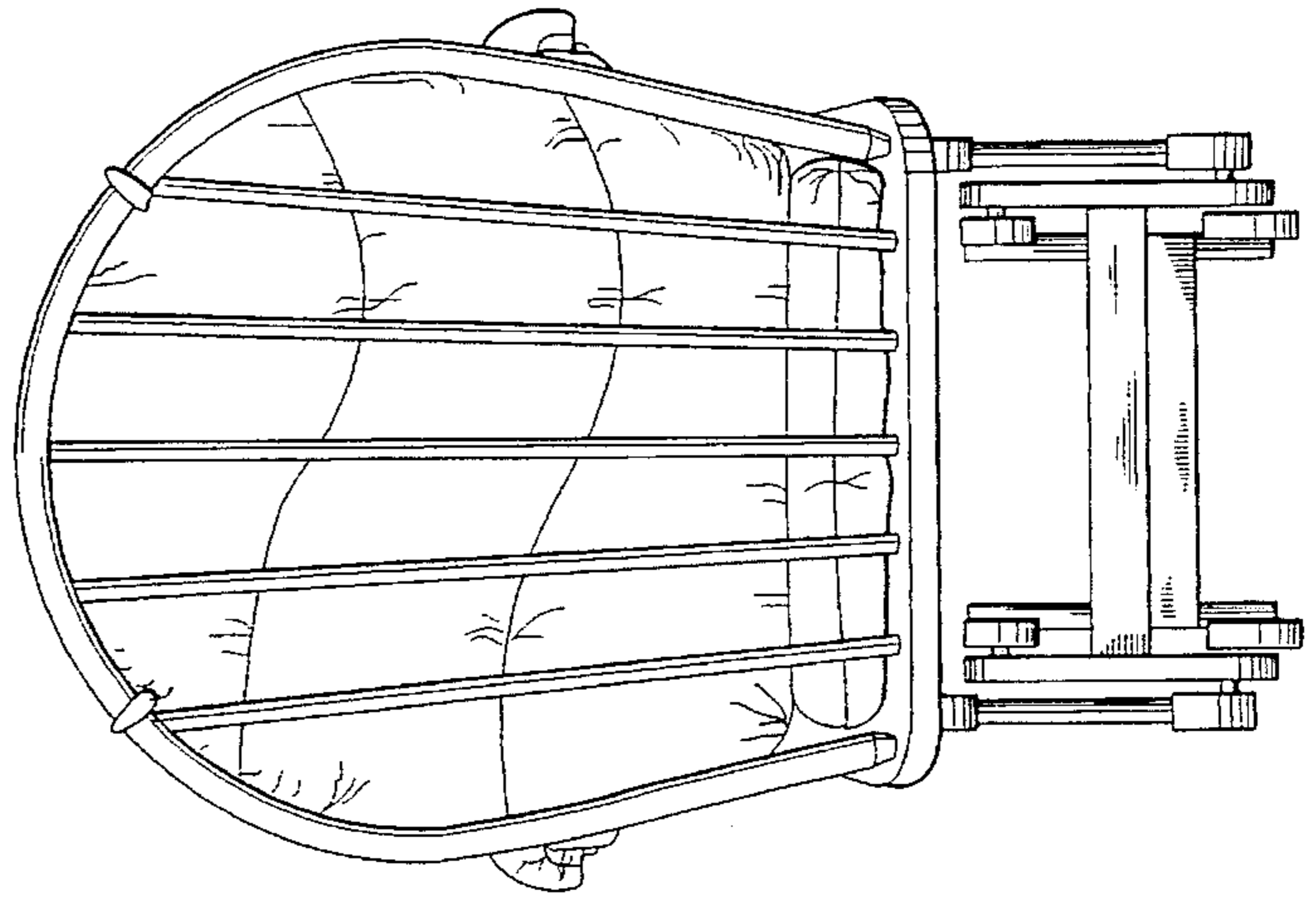


Fig. 4

