



US00D373683S

**United States Patent** [19]  
**Morgan**

[11] **Patent Number: Des. 373,683**  
[45] **Date of Patent: \*\*Sep. 17, 1996**

[54] **CHAIR**  
[75] Inventor: **David Morgan**, Bray, Ireland  
[73] Assignee: **Trumark Limited**, Dublin, Ireland  
[\*\*] Term: **14 Years**

*Primary Examiner*—Janice E. Seeger  
*Attorney, Agent, or Firm*—William C. Geary, III; Lahive & Cockfield

[21] Appl. No.: **36,065**  
[22] Filed: **Mar. 13, 1995**

[57] **CLAIM**  
The ornamental design for a chair, as shown and described.

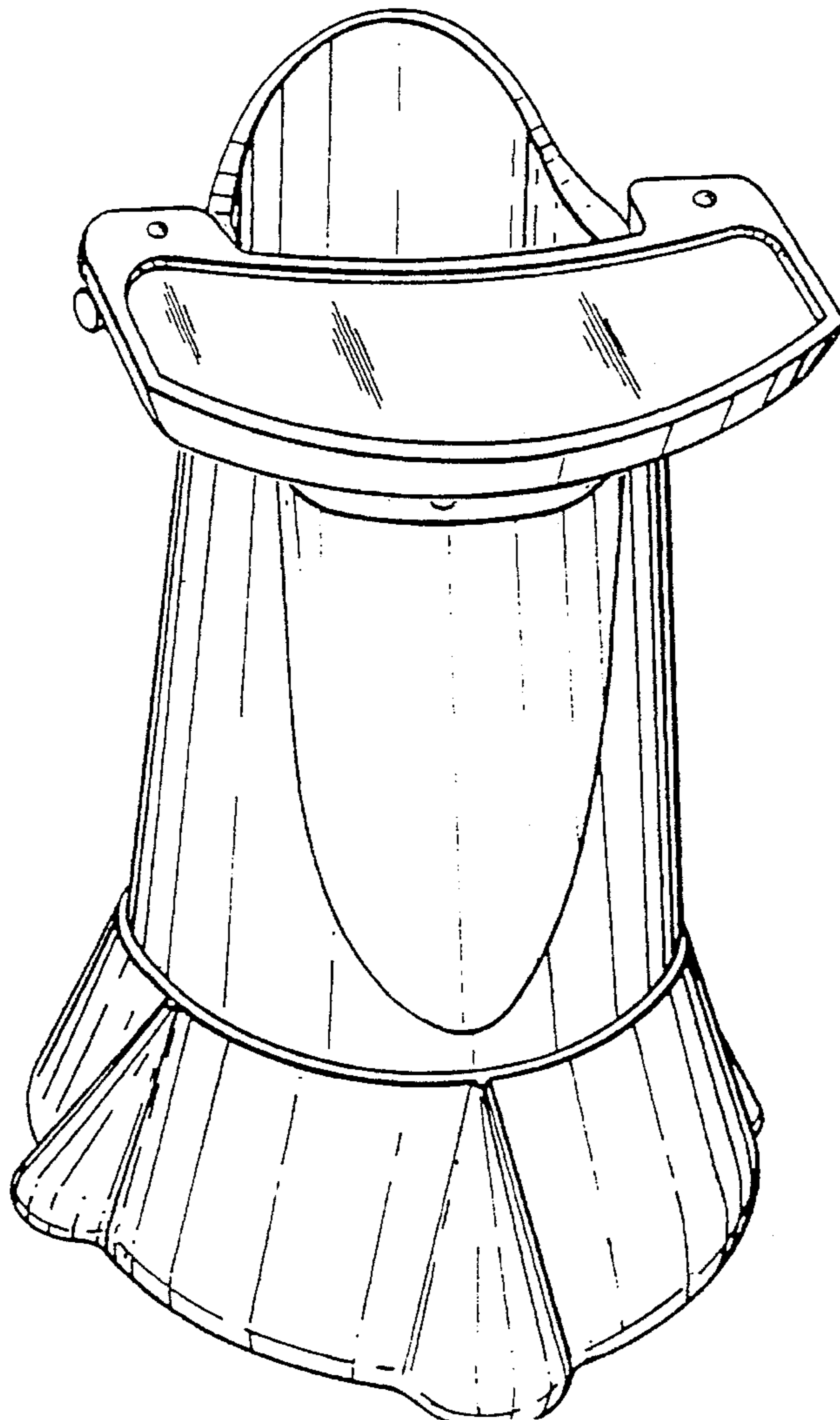
[30] **Foreign Application Priority Data**  
Sep. 13, 1994 [IE] Ireland ..... 267/94  
[52] **U.S. Cl.** ..... **D6/339**  
[58] **Field of Search** ..... D6/336, 333, 338,  
D6/339; 297/148, 151; 153

**DESCRIPTION**

FIG. 1 is a rear elevational view of a chair embodying my new design;  
FIG. 2 is an underneath plan view;  
FIG. 3 is a front elevational view (with table);  
FIG. 4 is a front elevational view (without table);  
FIG. 5 is a side elevational view (with table);  
FIG. 6 is a side elevational view (without table);  
FIG. 7 is a plan view from above (with table);  
FIG. 8 is a plan view from above (without table);  
FIG. 9 is a perspective view (without table); and,  
FIG. 10 is a perspective view (with table) thereof.

[56] **References Cited**  
**U.S. PATENT DOCUMENTS**  
D. 330,637 11/1992 Takahashi et al. .... D6/333  
D. 358,494 5/1995 Baerenwald et al. .... D6/339  
2,574,289 11/1951 Rossi ..... 297/149 X

**1 Claim, 5 Drawing Sheets**



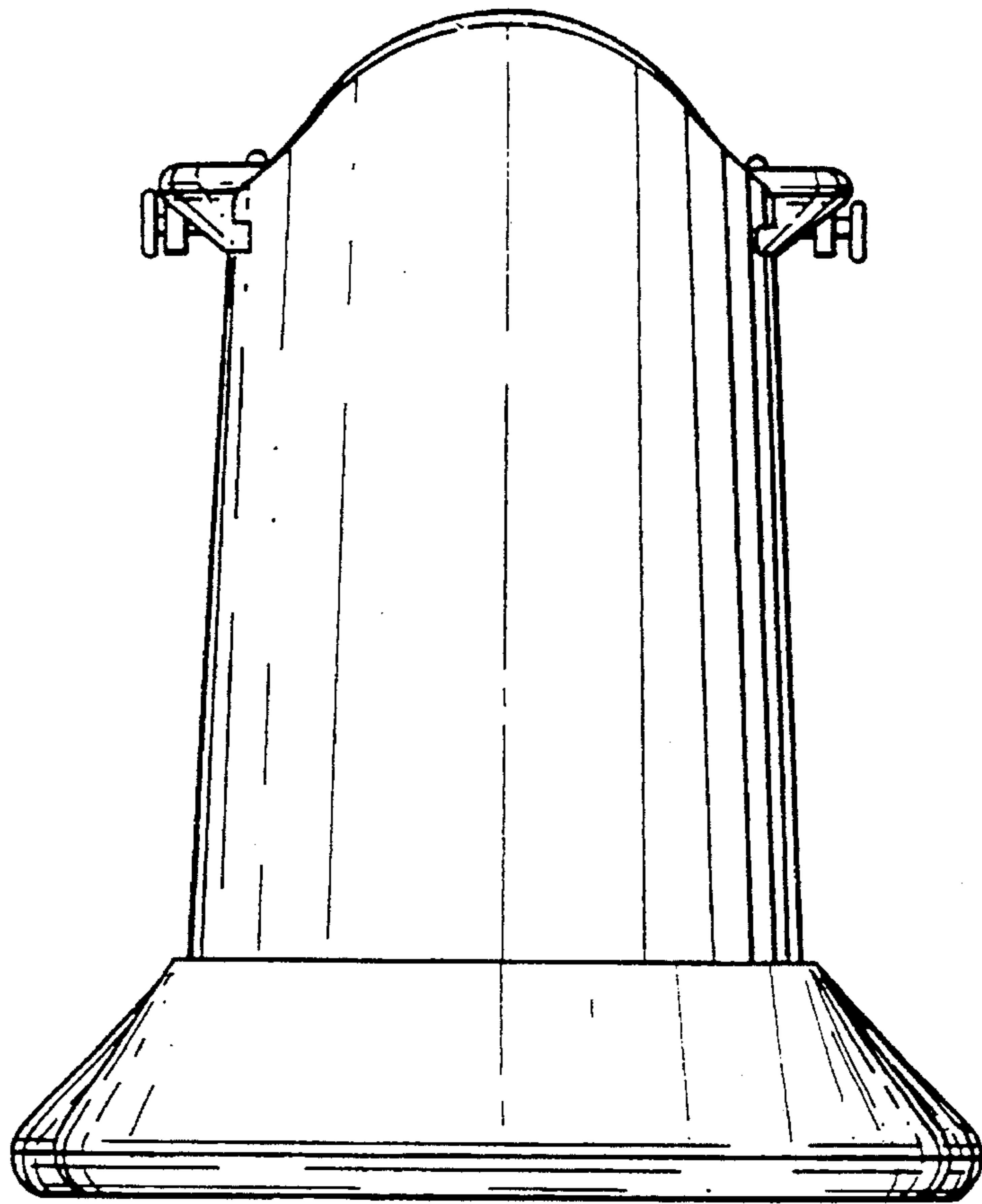


FIGURE 1

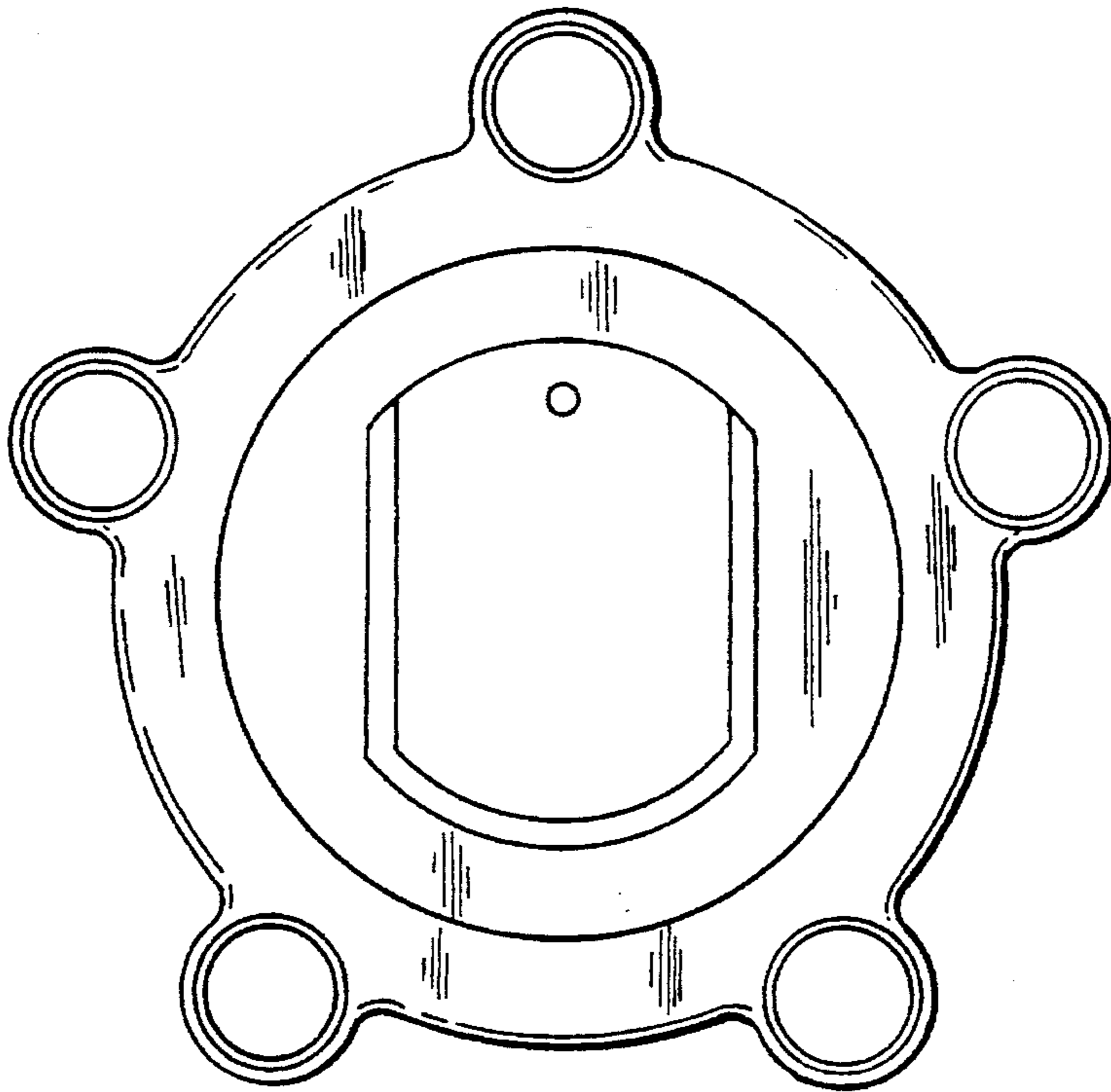


FIGURE 2

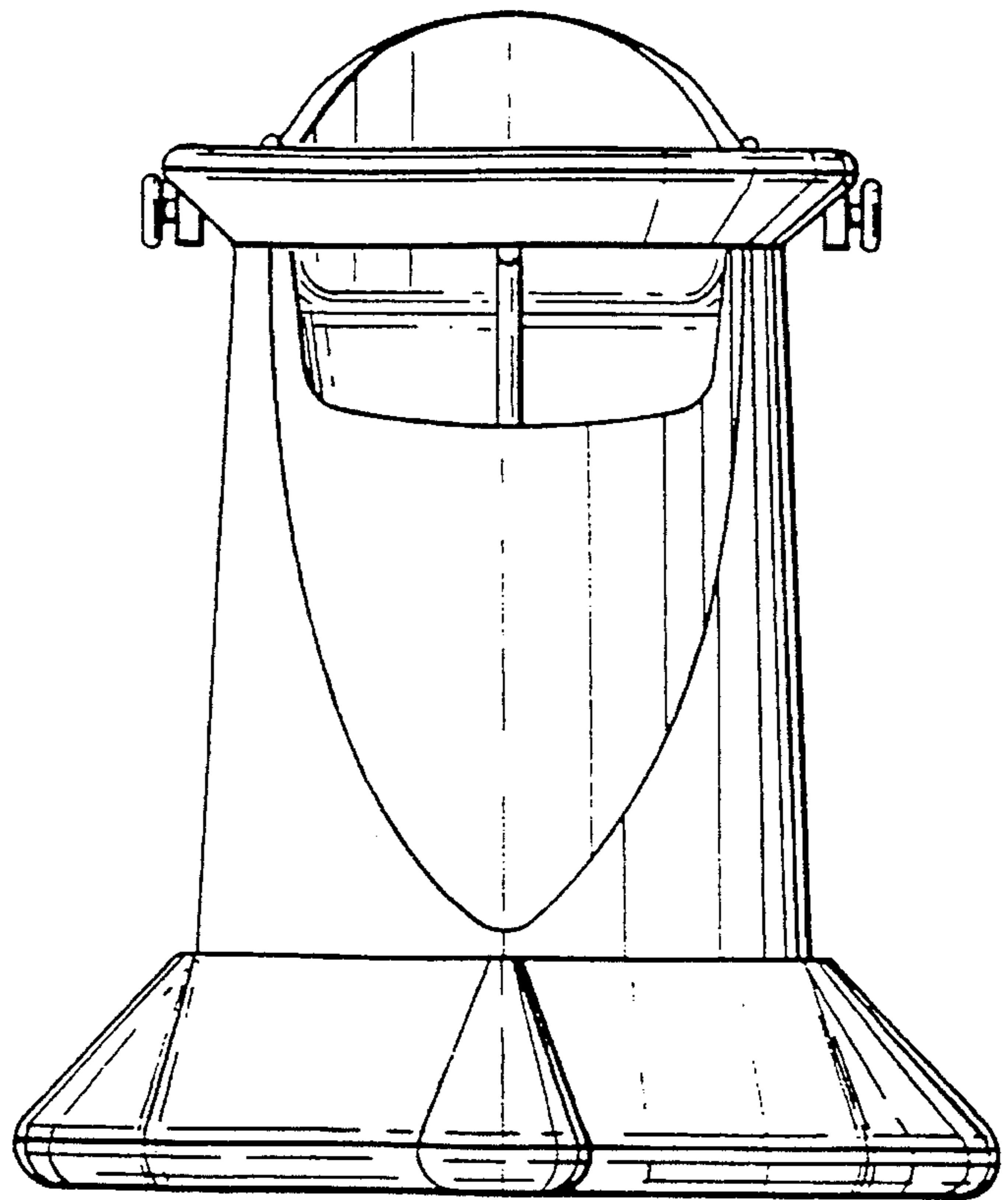


FIGURE 3

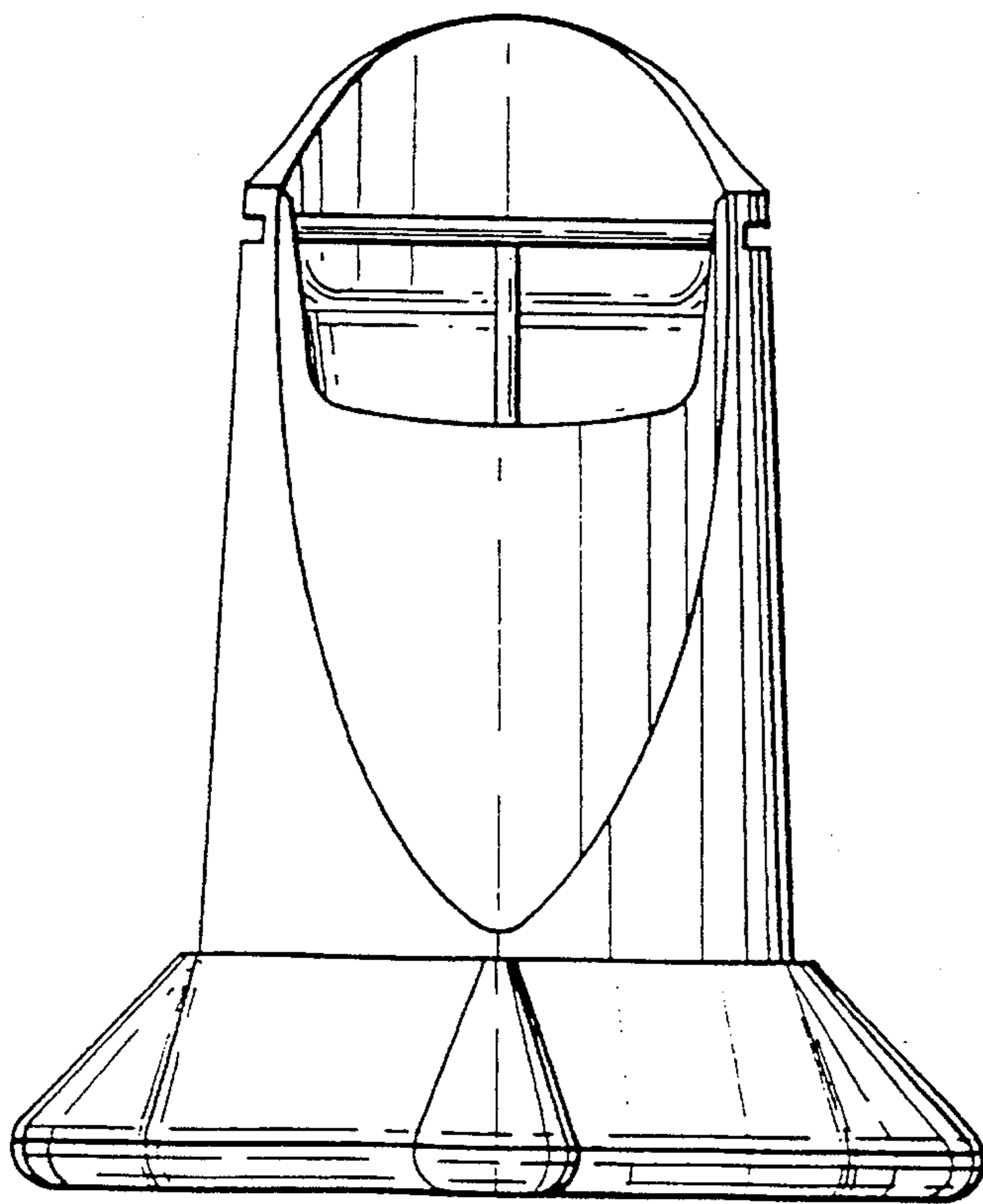


FIGURE 4

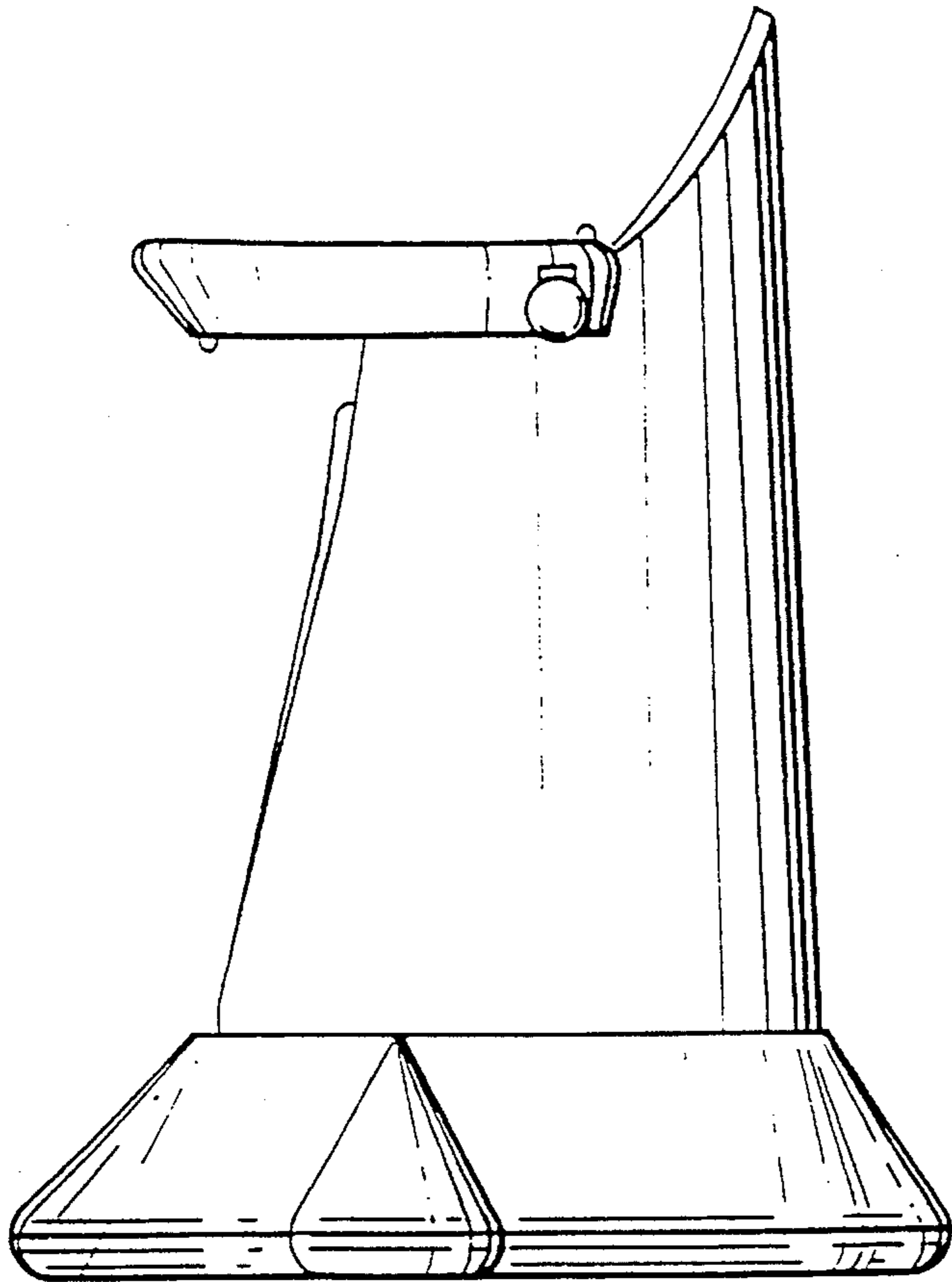


FIGURE 5

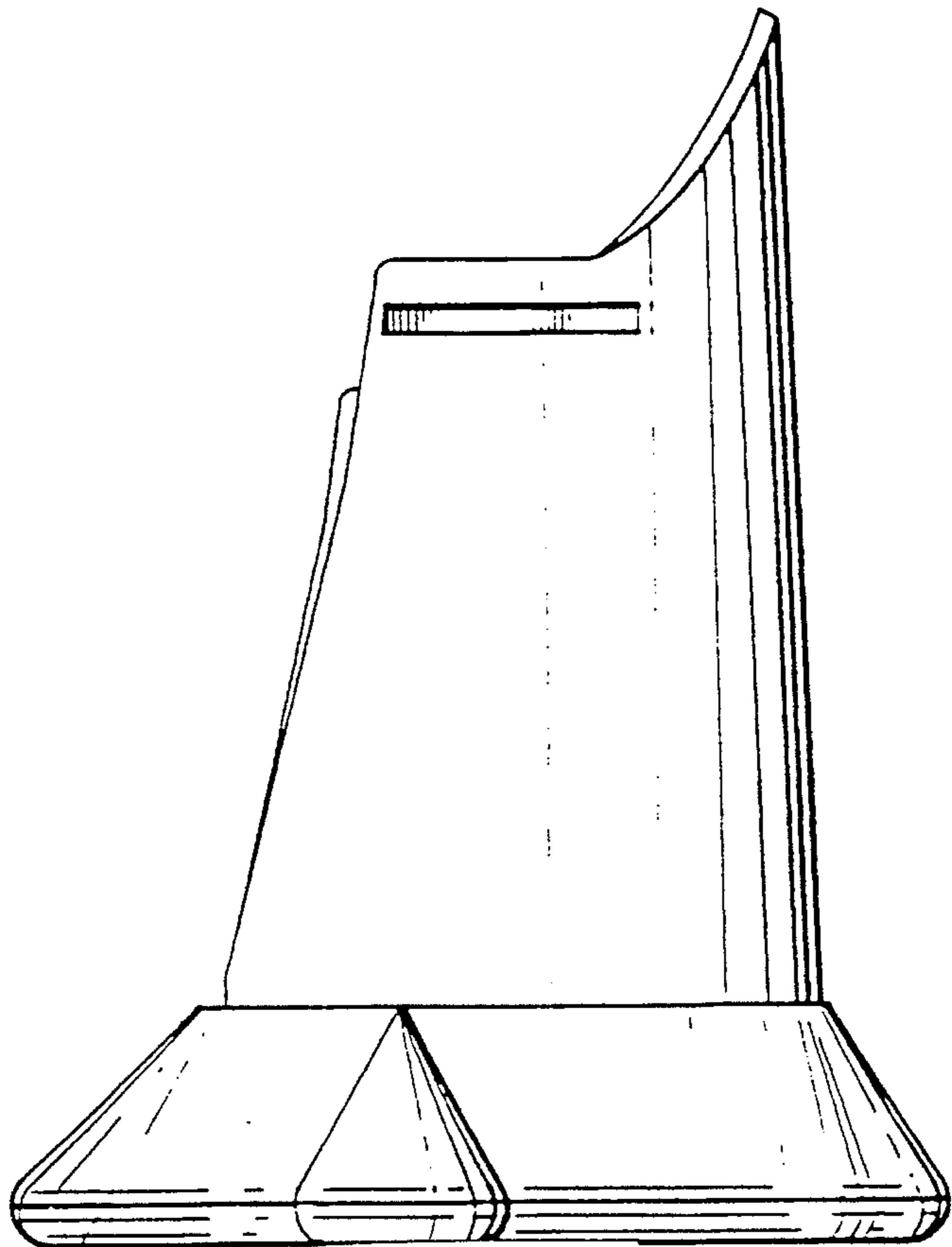


FIGURE 6



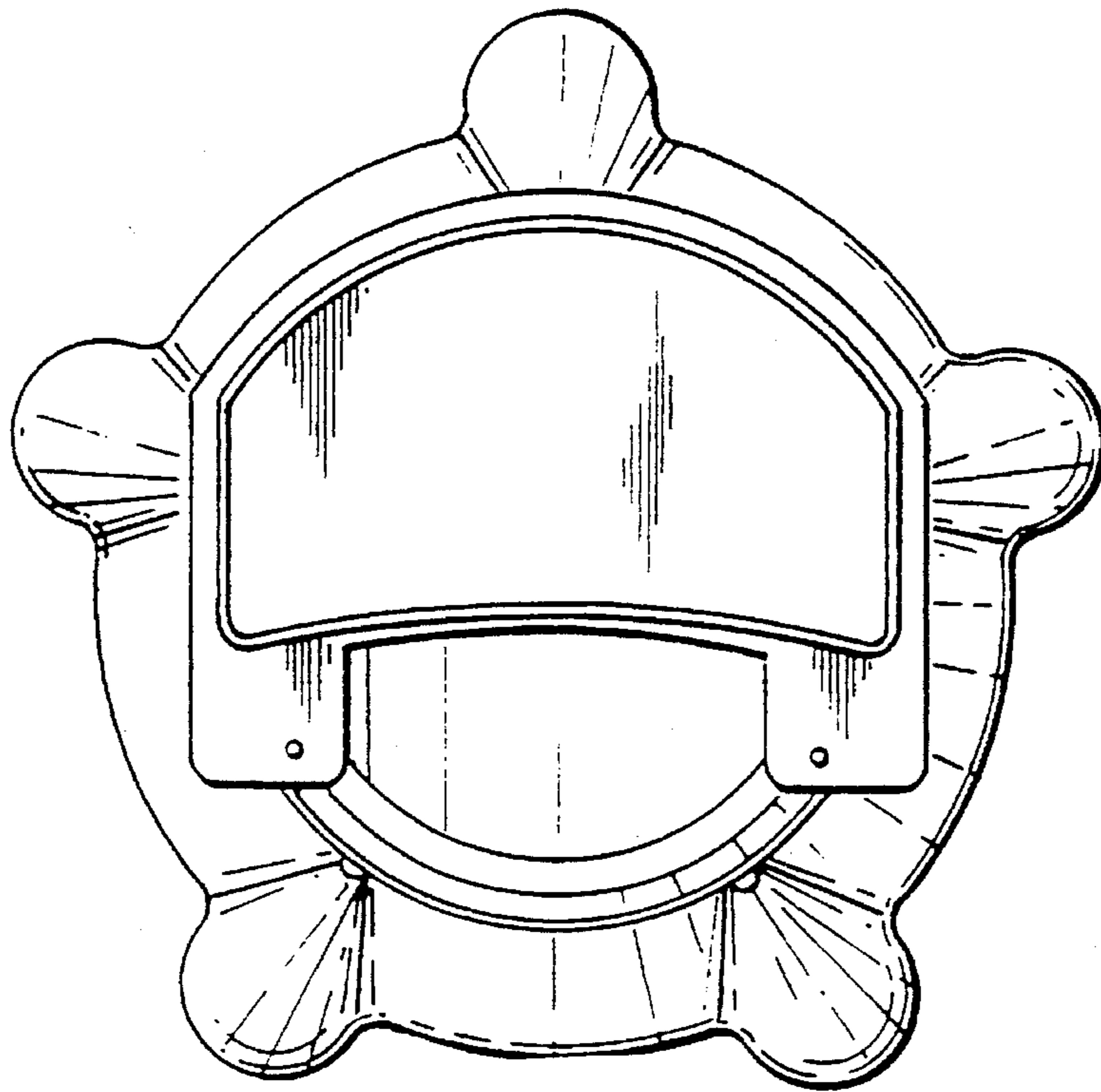


FIGURE 7

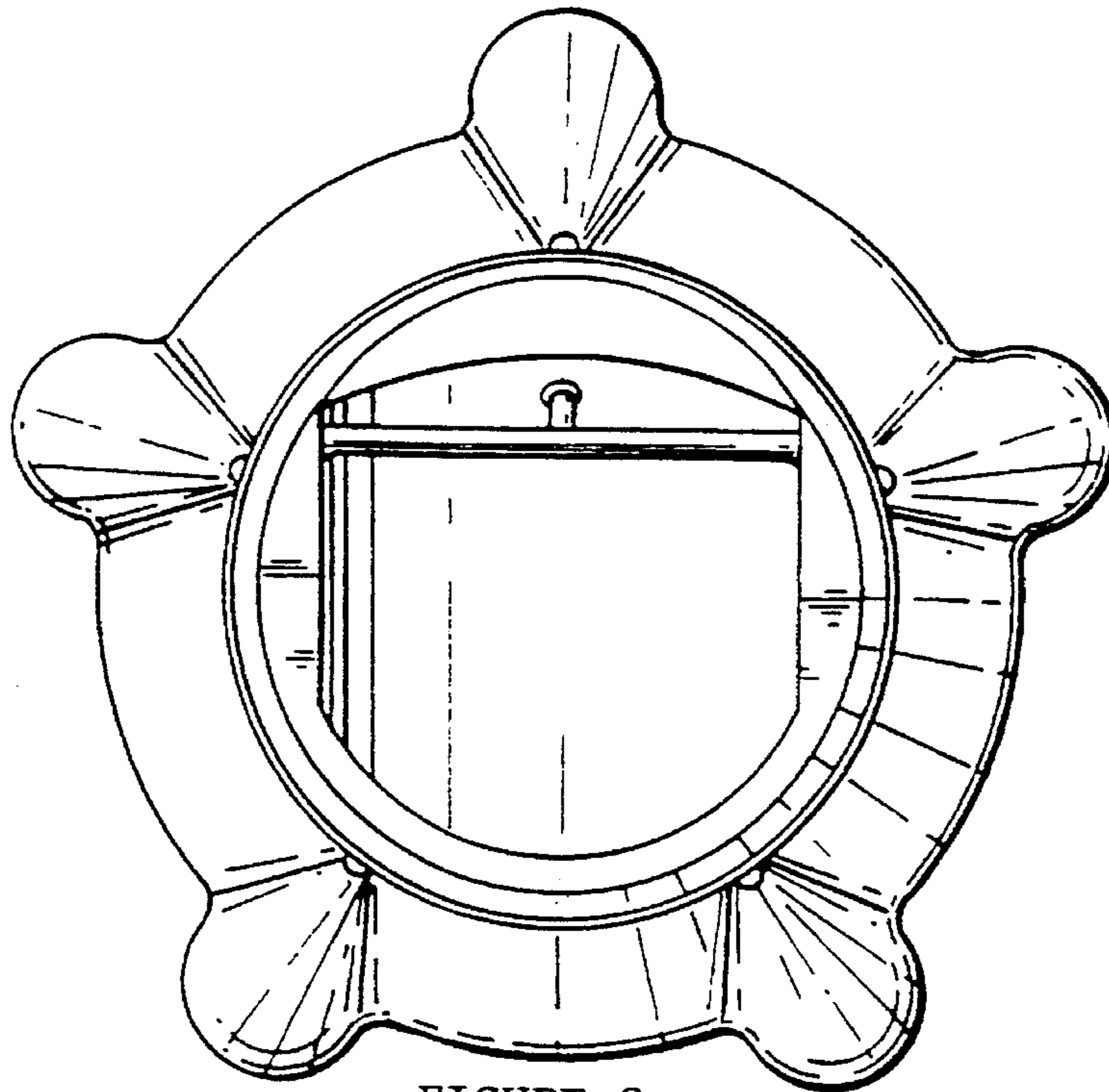


FIGURE 8

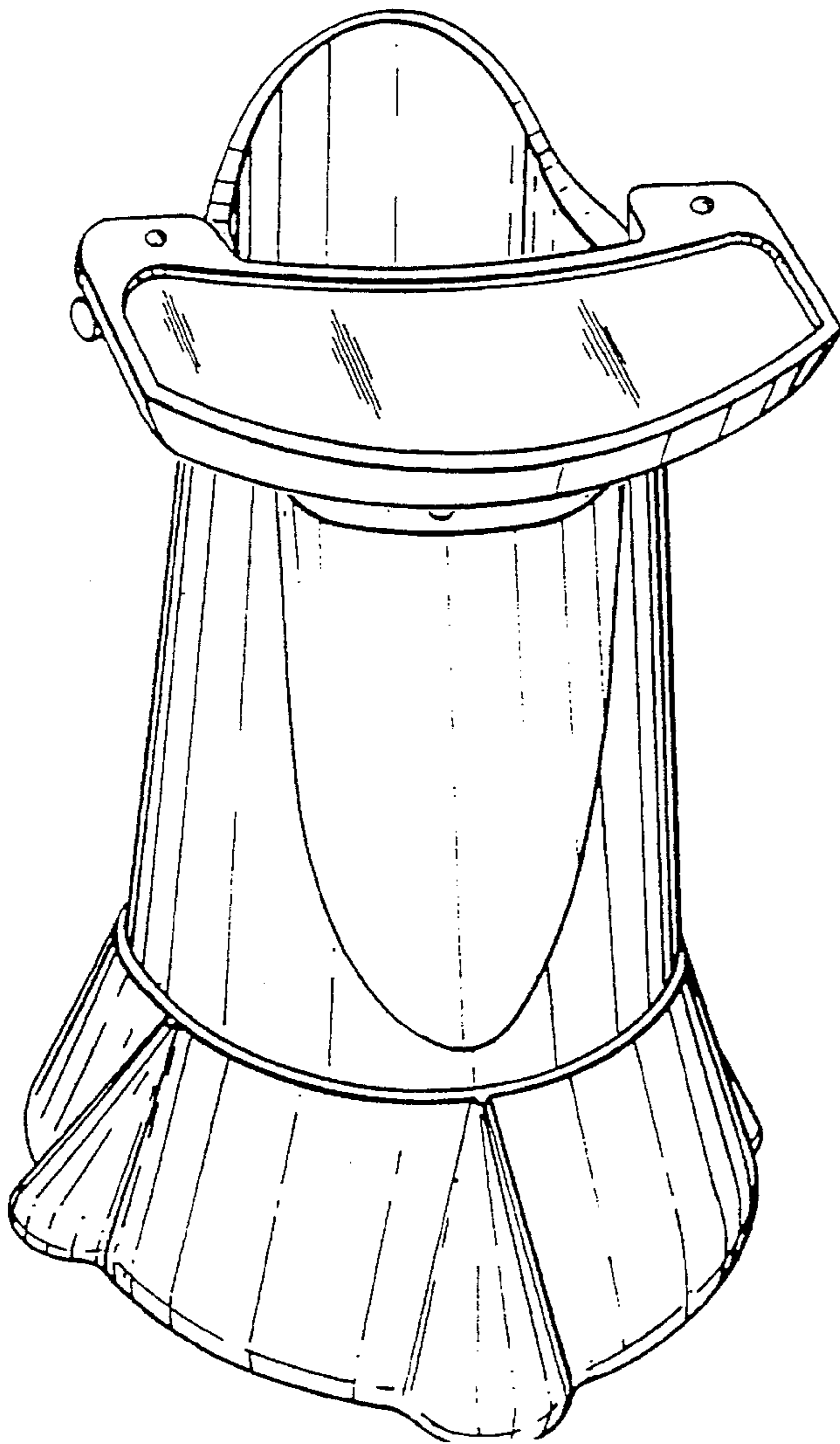


FIGURE 10

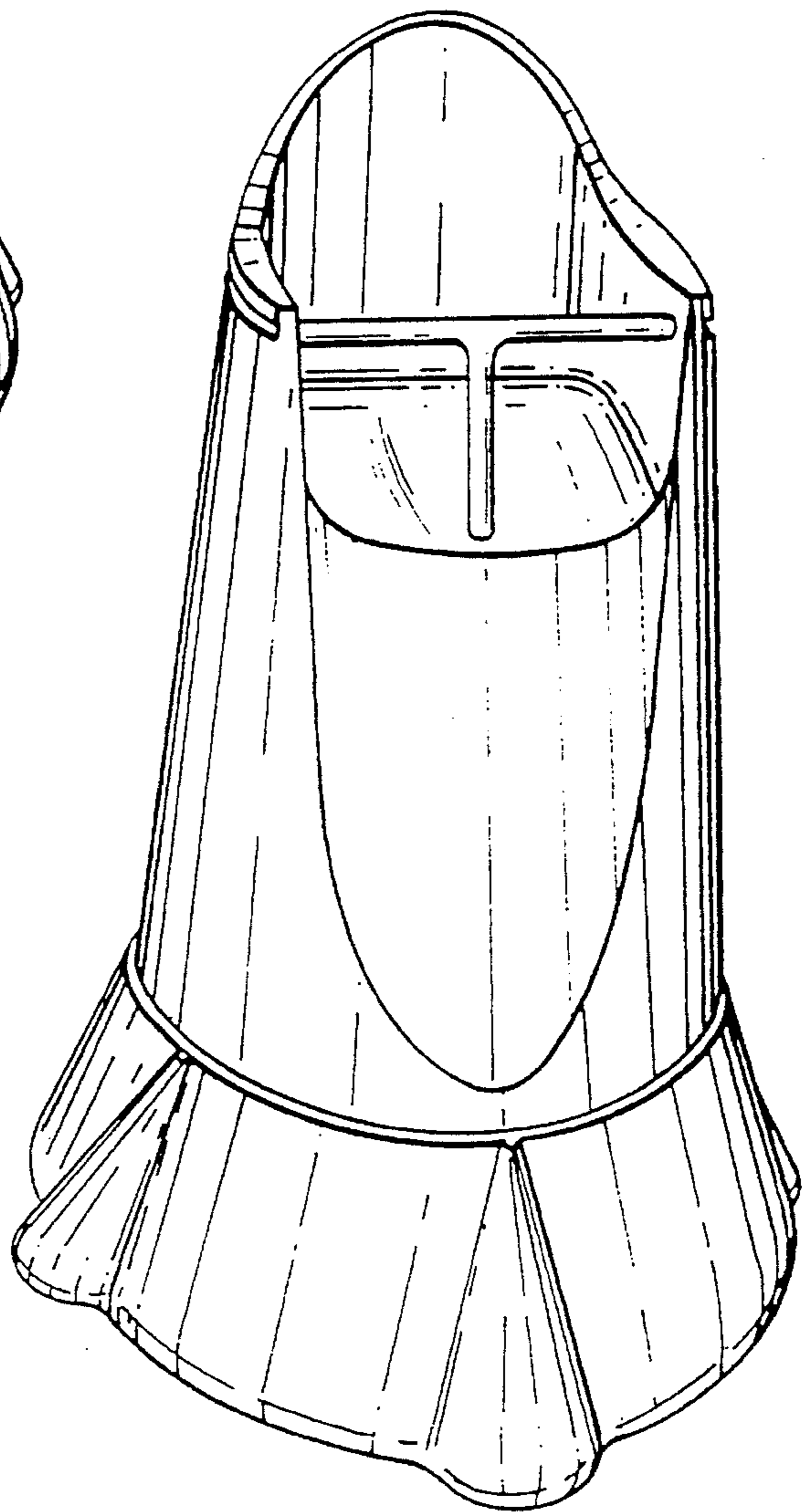


FIGURE 9