



US00D373677S

United States Patent [19]
Kelly

[11] **Patent Number: Des. 373,677**
[45] **Date of Patent: **Sep. 17, 1996**

[54] **BOTTLE CARRIER**

[57] **CLAIM**

[76] Inventor: **Michael K. Kelly**, 4178 Vermont St.,
San Diego, Calif. 92103

The ornamental design for a bottle carrier, as shown and described.

[**] Term: **14 Years**

DESCRIPTION

[21] Appl. No.: **29,452**

[22] Filed: **Oct. 6, 1994**

[52] * U.S. Cl. **D3/229**

[58] **Field of Search** D3/202, 229, 232;
D7/605, 606, 607, 608; 224/148, 202, 236,
205, 257

FIG. 1 is a rear elevational view of a bottle carrier showing my new design, with the drawstring and strap shown broken away for convenience of illustration;

FIG. 2 is a front elevational view thereof, with the drawstring and strap shown broken away for convenience of illustration;

FIG. 3 is a top plan view thereof, with the drawstring and strap shown broken away for convenience of illustration;

FIG. 4 is a bottom plan view, with the drawstring and strap shown broken away for convenience of illustration;

FIG. 5 is a left side elevational view, with the strap shown broken away for convenience of illustration; and,

FIG. 6 is a right side elevational view, with the strap shown broken away for convenience of illustration.

The dashed lines represent a bottle that is carried within the bottle carrier and which is no part of the design.

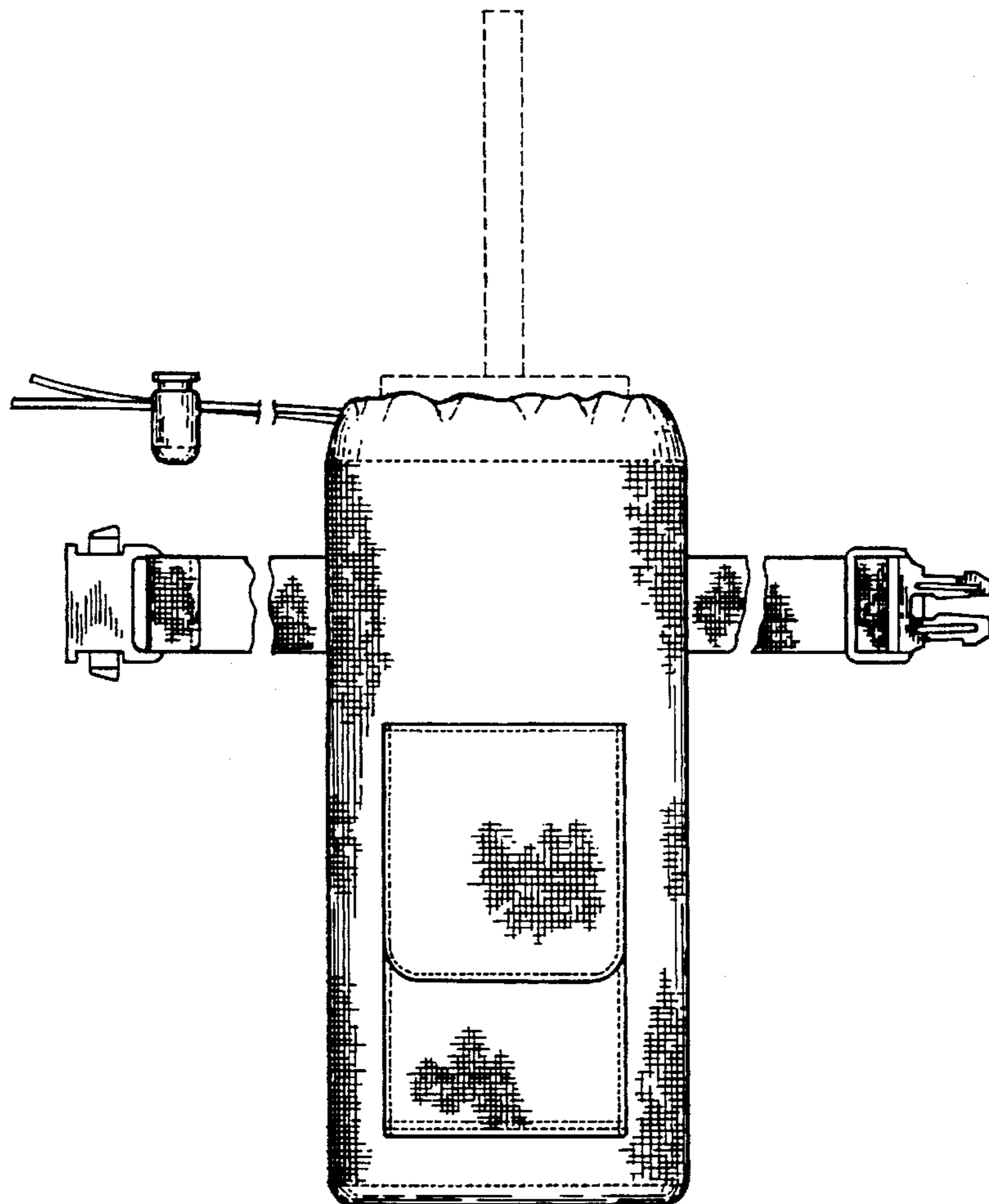
[56] **References Cited**

U.S. PATENT DOCUMENTS

D. 315,477	3/1991	Shearer	D7/607
D. 324,977	3/1992	Rosson	D3/232 X
D. 335,957	6/1993	Cantrell et al.	D3/232 X
D. 351,533	10/1994	Lynam, Jr.	D7/607 X
4,401,245	8/1983	Zills	D7/607 X
4,468,933	9/1984	Christopher	D7/607 X
5,183,183	2/1993	Hernandez	D3/229 X

Primary Examiner—Doris V. Coles
Assistant Examiner—Catherine R. Oliver
Attorney, Agent, or Firm—Daniel C. McKown

1 Claim, 3 Drawing Sheets



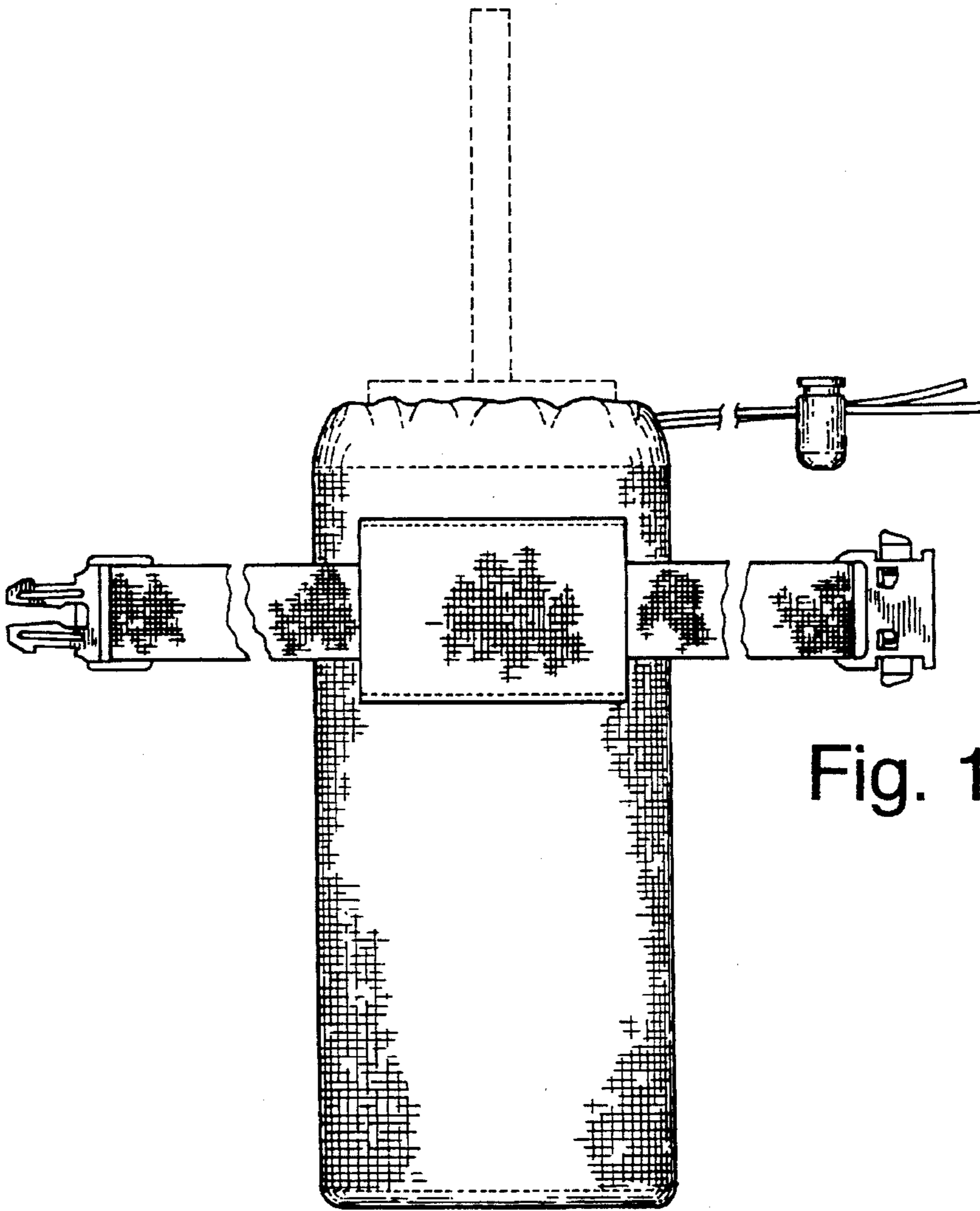


Fig. 1

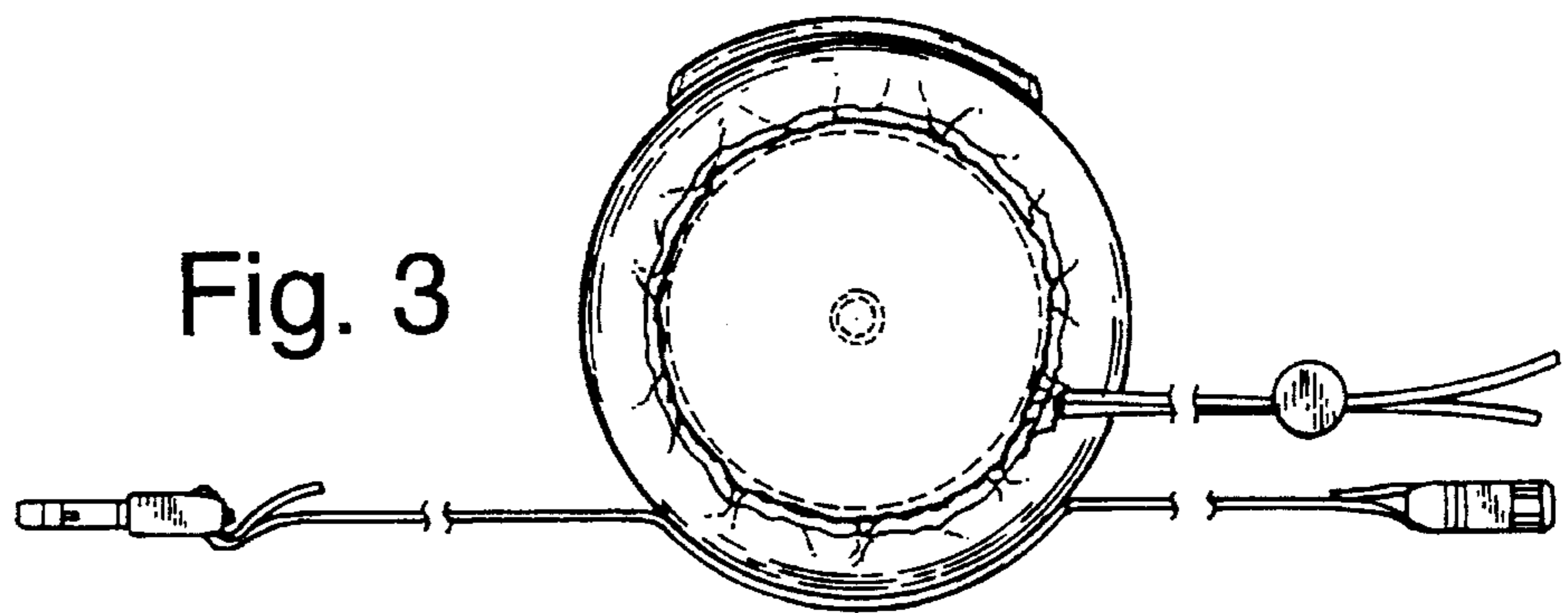


Fig. 3

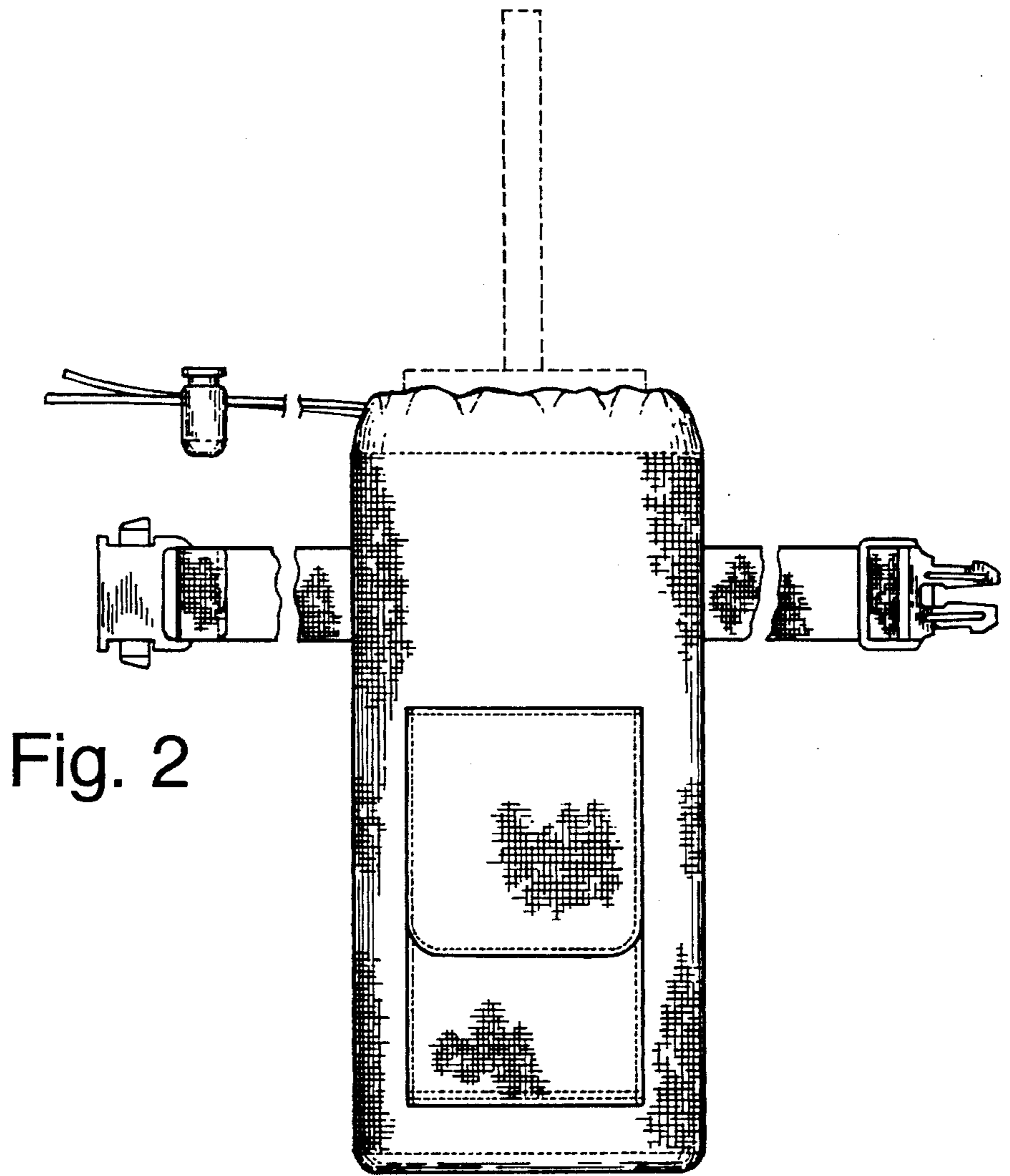


Fig. 2

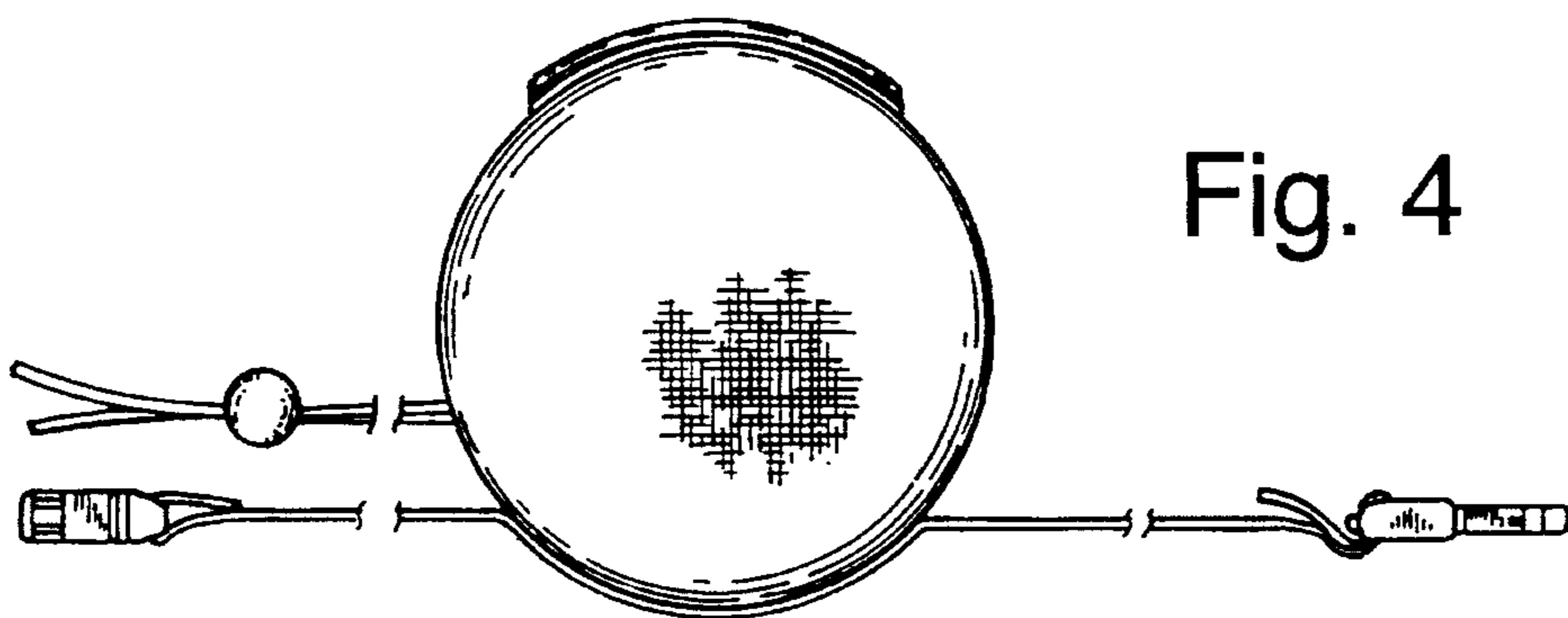


Fig. 4

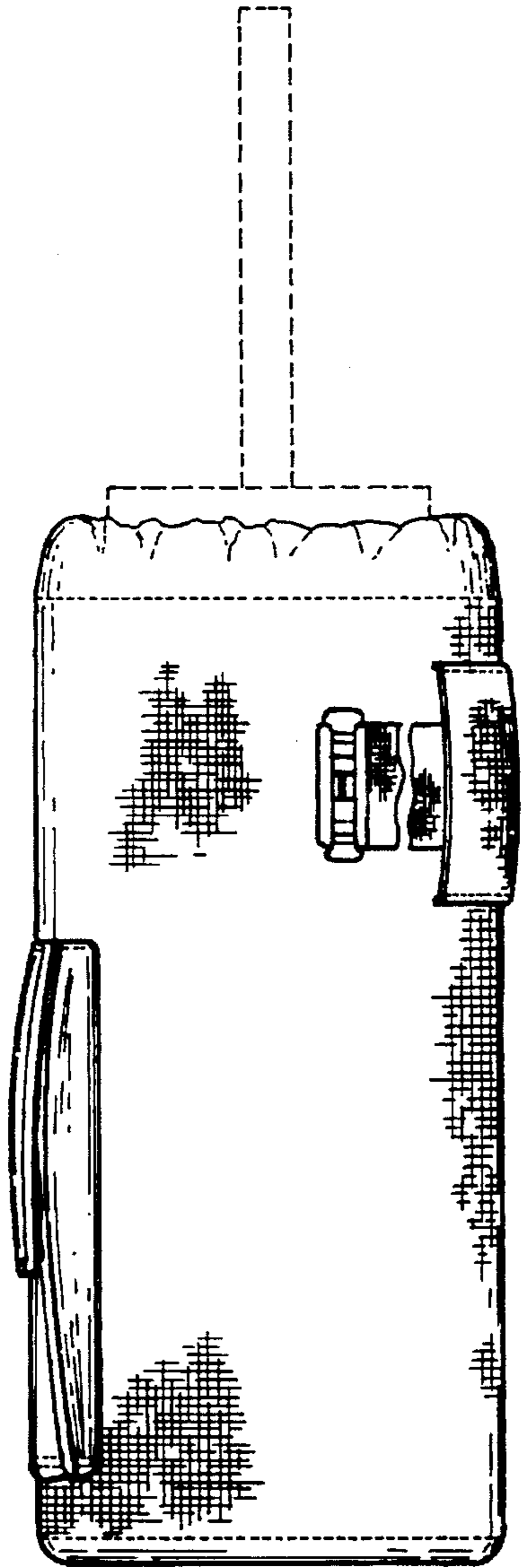


Fig. 5

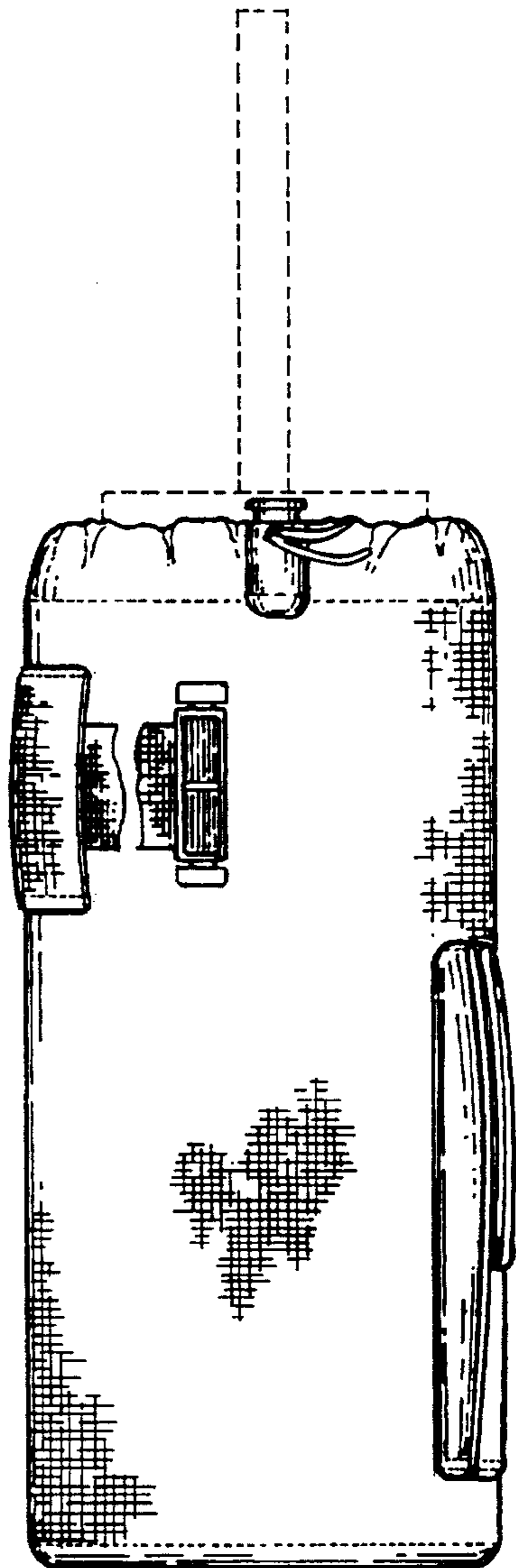


Fig. 6