



US00D373669S

# United States Patent [19]

Perkins, Sr.

[11] Patent Number: **Des. 373,669**

[45] Date of Patent: **\*\*Sep. 10, 1996**

[54] **DOLLY FOR RECEIVING RECYCLING BINS AND CARDBOARD**

D. 366,548	1/1996	Morasse	.....	D34/24
3,804,432	4/1974	Lehrman	.....	280/47.19
5,118,130	6/1992	Kaltz	.....	280/654
5,380,033	1/1995	Harling	.....	280/47.19

[76] Inventor: **Robert W. Perkins, Sr.**, 43487 Columbia Ave., Fremont, Calif. 94538-6022

*Primary Examiner*—Kay H. Chin

[\*\*] Term: **14 Years**

[57] **CLAIM**

The ornamental design for a dolly for receiving recycling bins and cardboard, as shown and described.

[21] Appl. No.: **45,527**

**DESCRIPTION**

[22] Filed: **Oct. 23, 1995**

[52] U.S. Cl. .... **D34/24; D34/12**

[58] Field of Search ..... D34/24, 26, 12, D34/17, 19, 20, 21; 280/47, 19, 654, 79.11, 79.2, 79.3

FIG. 1 is a front elevational view of the dolly for receiving recycling bins and cardboard showing my new design; FIG. 2 is a rear elevational view thereof; FIG. 3 is a right view thereof; FIG. 4 is a left view thereof; FIG. 5 is a top plan view thereof; and, FIG. 6 is a bottom plan view thereof.

[56] **References Cited**

**U.S. PATENT DOCUMENTS**

D. 292,337 10/1987 Fennelly ..... D34/24

**1 Claim, 3 Drawing Sheets**

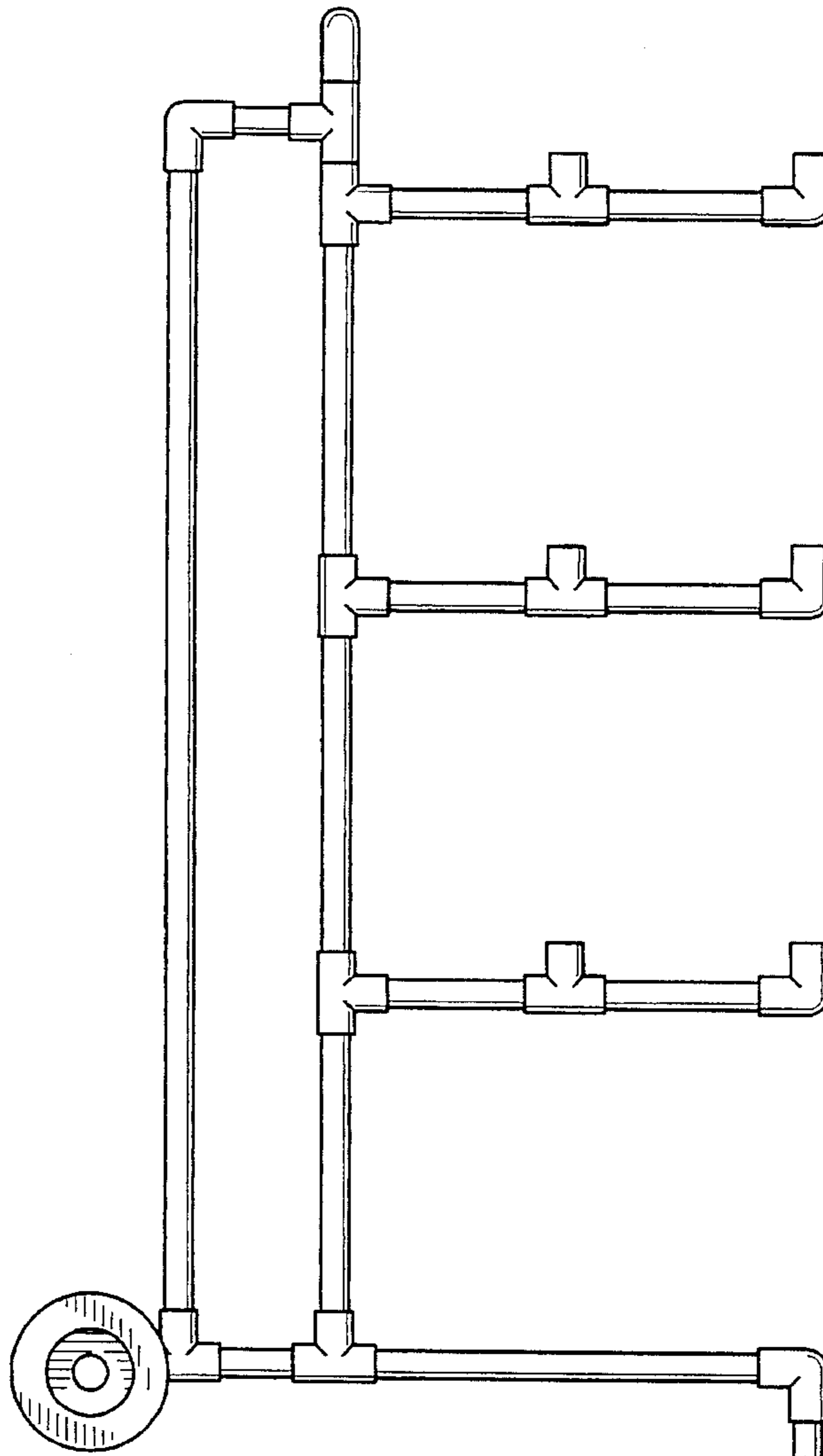


FIG. 1

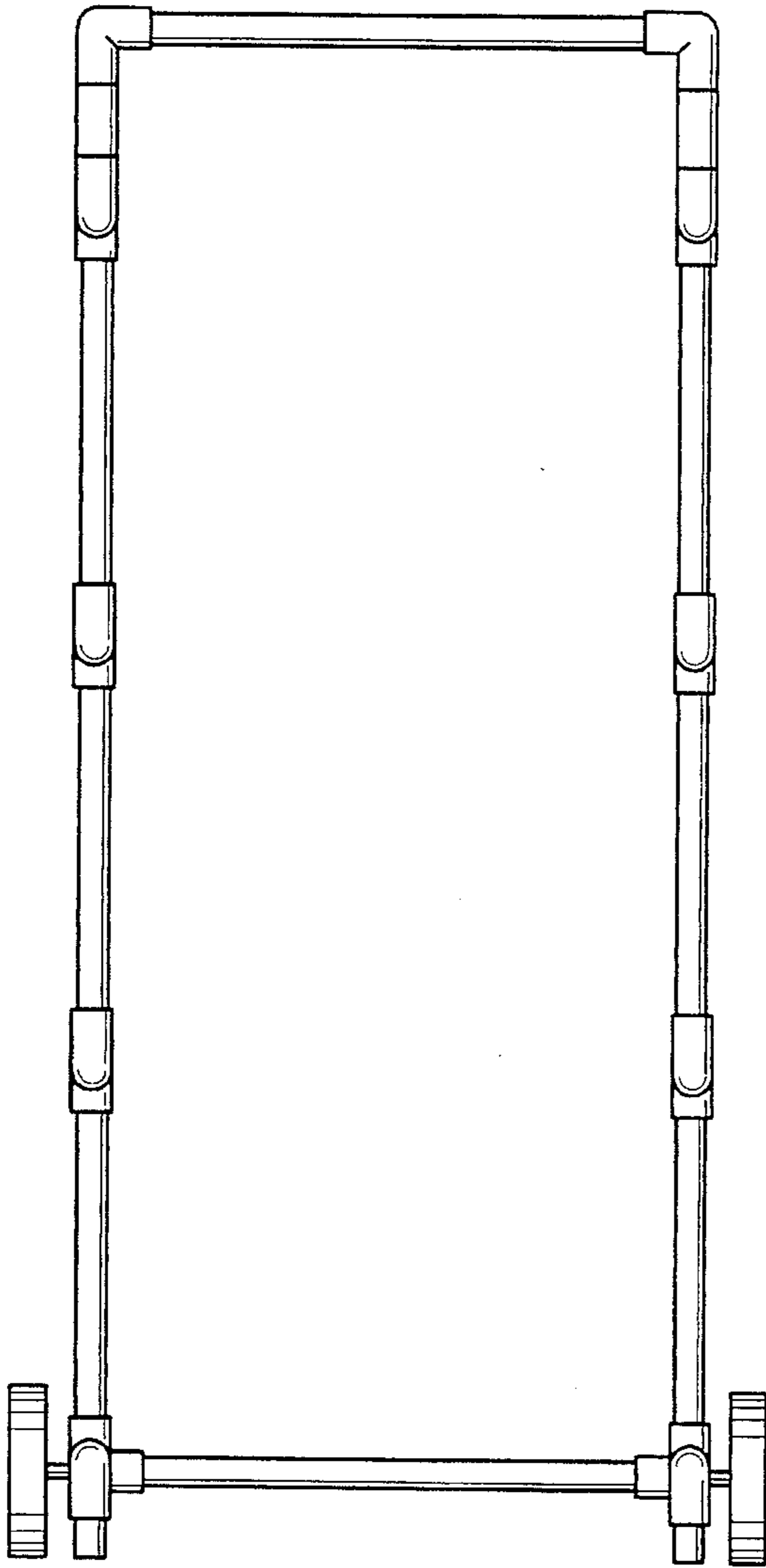
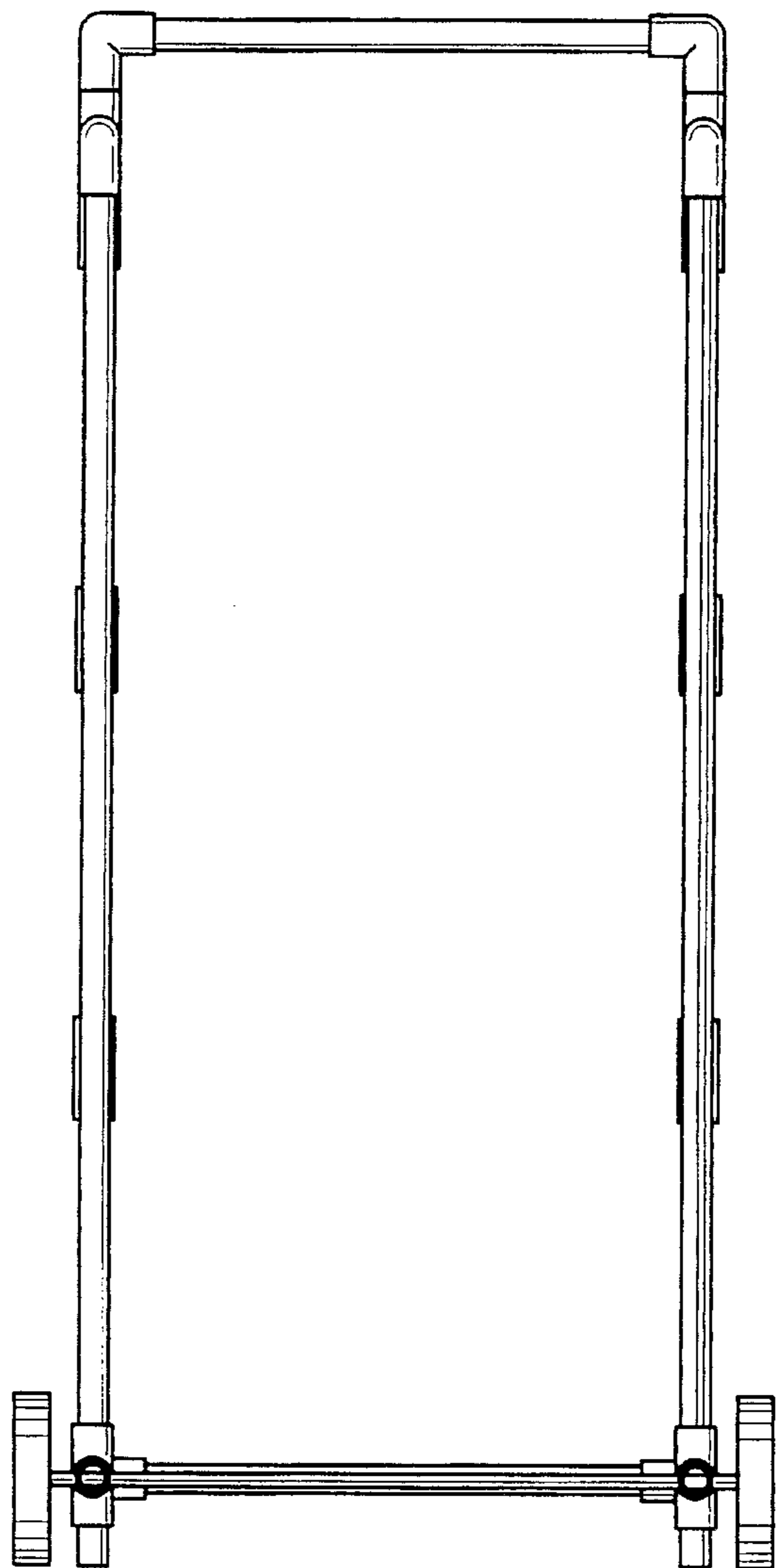


FIG. 2



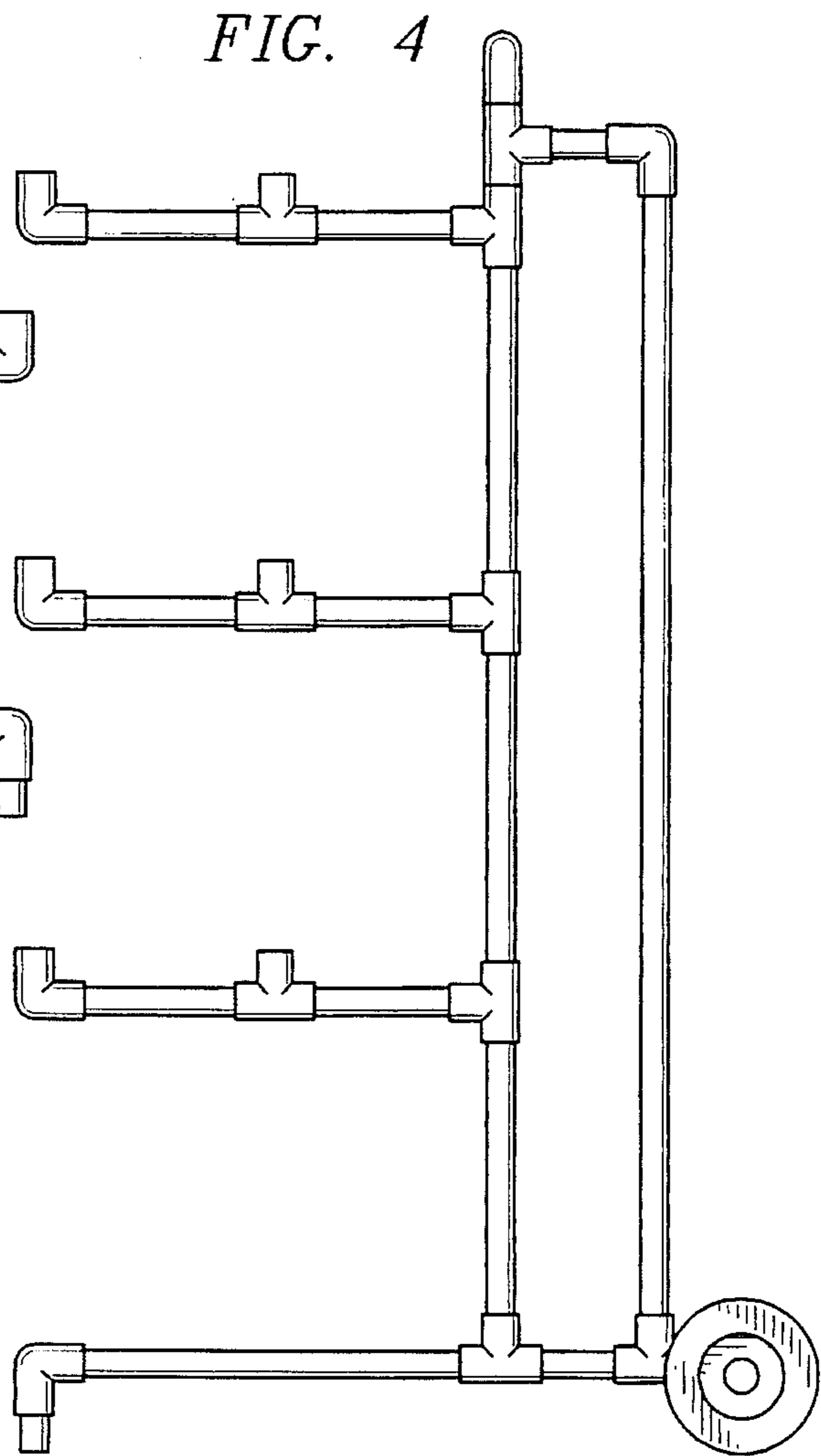
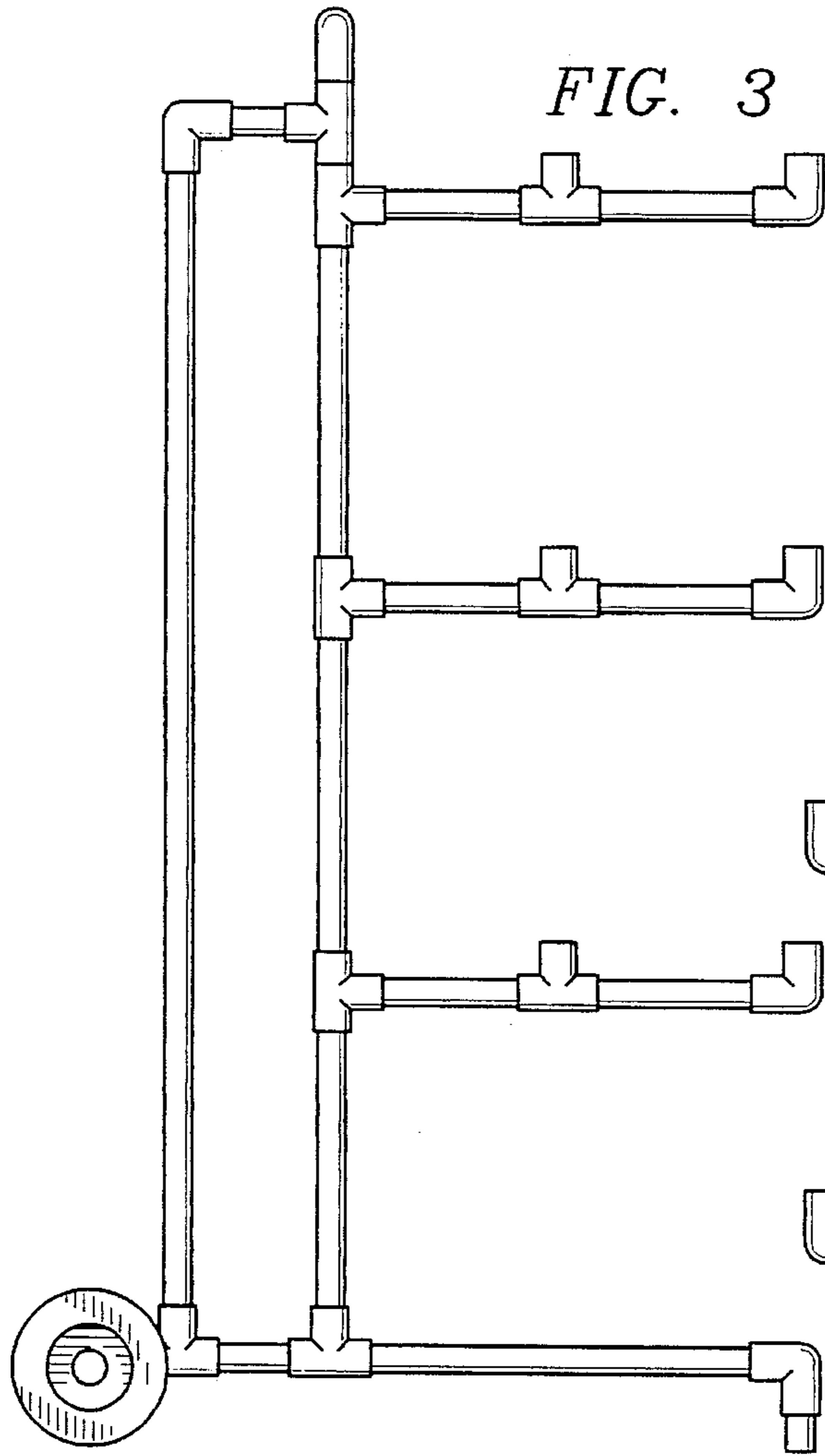


FIG. 5

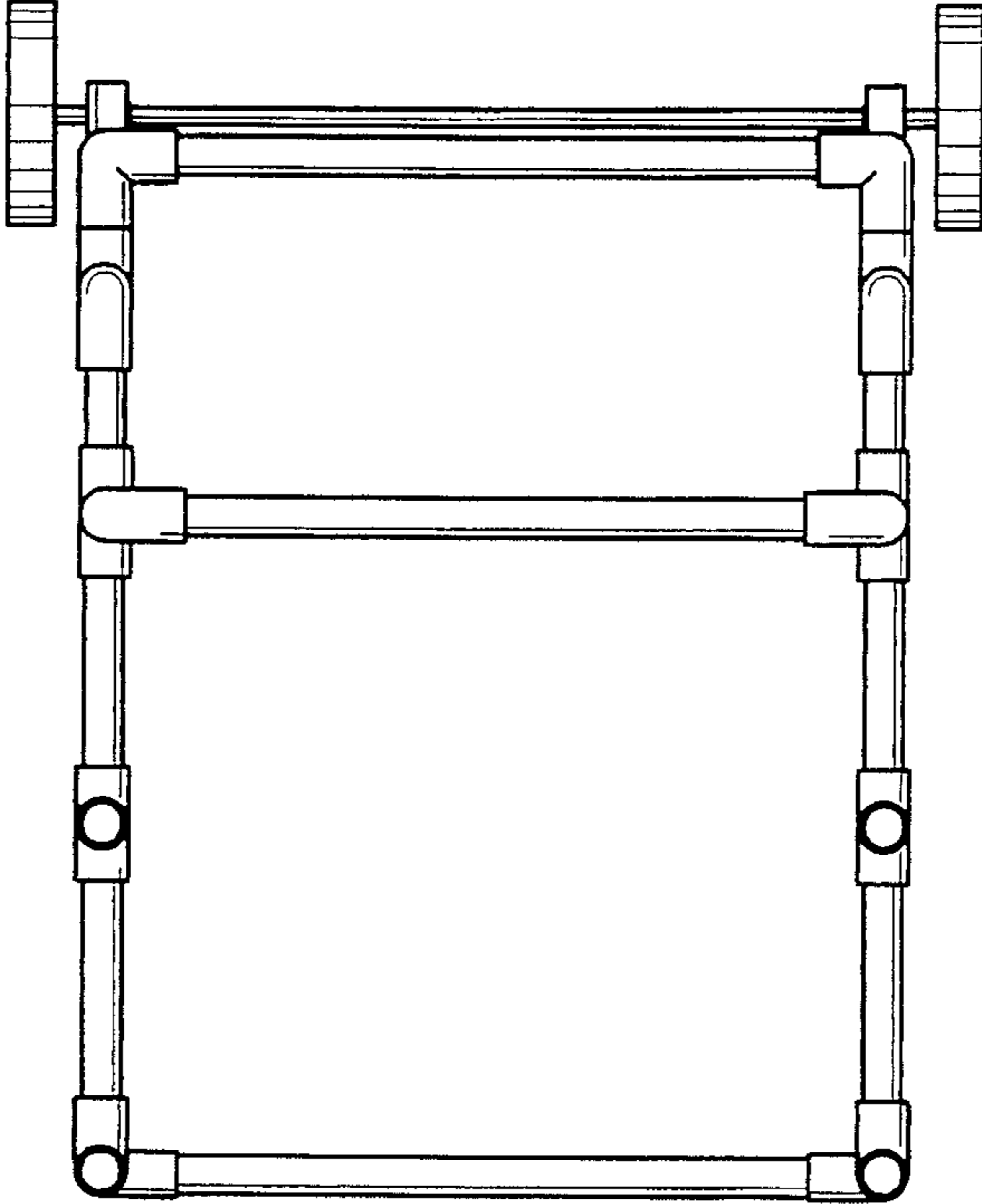


FIG. 6

