



US00D373668S

United States Patent [19]

[11] Patent Number: **Des. 373,668**

Linder

[45] Date of Patent: ****Sep. 10, 1996**

[54] **SHELF CART**

[75] Inventor: **Steven E. Linder**, Portland, Oreg.

[73] Assignee: **Anthro Corporation**, Tualatin, Oreg.

[**] Term: **14 Years**

[21] Appl. No.: **40,572**

[22] Filed: **Jun. 16, 1995**

[52] U.S. Cl. **D34/21; D6/428**

[58] Field of Search **D34/12, 17, 20, D34/21, 22, 23; D6/474, 479, 478, 487, 424, 426, 428, 432; 108/59, 106, 107; 211/13, 126, 133**

[56] **References Cited**

U.S. PATENT DOCUMENTS

D. 241,214	8/1976	Szucs	D6/428
D. 266,468	10/1982	Ylänkö	D6/474
D. 302,890	8/1989	Ng et al.	D6/487
D. 315,261	3/1991	Ng et al.	D34/21
D. 330,298	10/1992	Keong	D6/426

FOREIGN PATENT DOCUMENTS

612558	11/1960	Italy	108/59
4228028	9/1993	Japan	108/59

Primary Examiner—Kay H. Chin
Attorney, Agent, or Firm—Stoel Rives LLP

[57] **CLAIM**

The ornamental design for a shelf cart, as shown and described.

DESCRIPTION

FIG. 1 is a front elevational view of a first embodiment of

a shelf cart according to our new design;

FIG. 2 is a bottom, rear perspective view of the shelf cart of FIG. 1;

FIG. 3 is a top, front perspective view of the shelf cart of FIG. 1;

FIG. 4 is a left side elevational view of the shelf cart of FIG. 1;

FIG. 5 is a front elevational view of a second embodiment of a shelf cart according to my new design;

FIG. 6 is a bottom, rear perspective view of the shelf cart of FIG. 5;

FIG. 7 is a top, front perspective view of the shelf cart of FIG. 5;

FIG. 8 is a left side elevational view of the shelf cart of FIG. 5;

FIG. 9 is a front elevational view of a third embodiment of a shelf cart according to my new design;

FIG. 10 is a rear elevational view of the self cart of FIG. 9;

FIG. 11 is a bottom, front perspective view of the shelf cart of FIG. 9 with the lowest shelf extended;

FIG. 12 is a bottom, front perspective view of the shelf cart of FIG. 9 with the lowest shelf retracted;

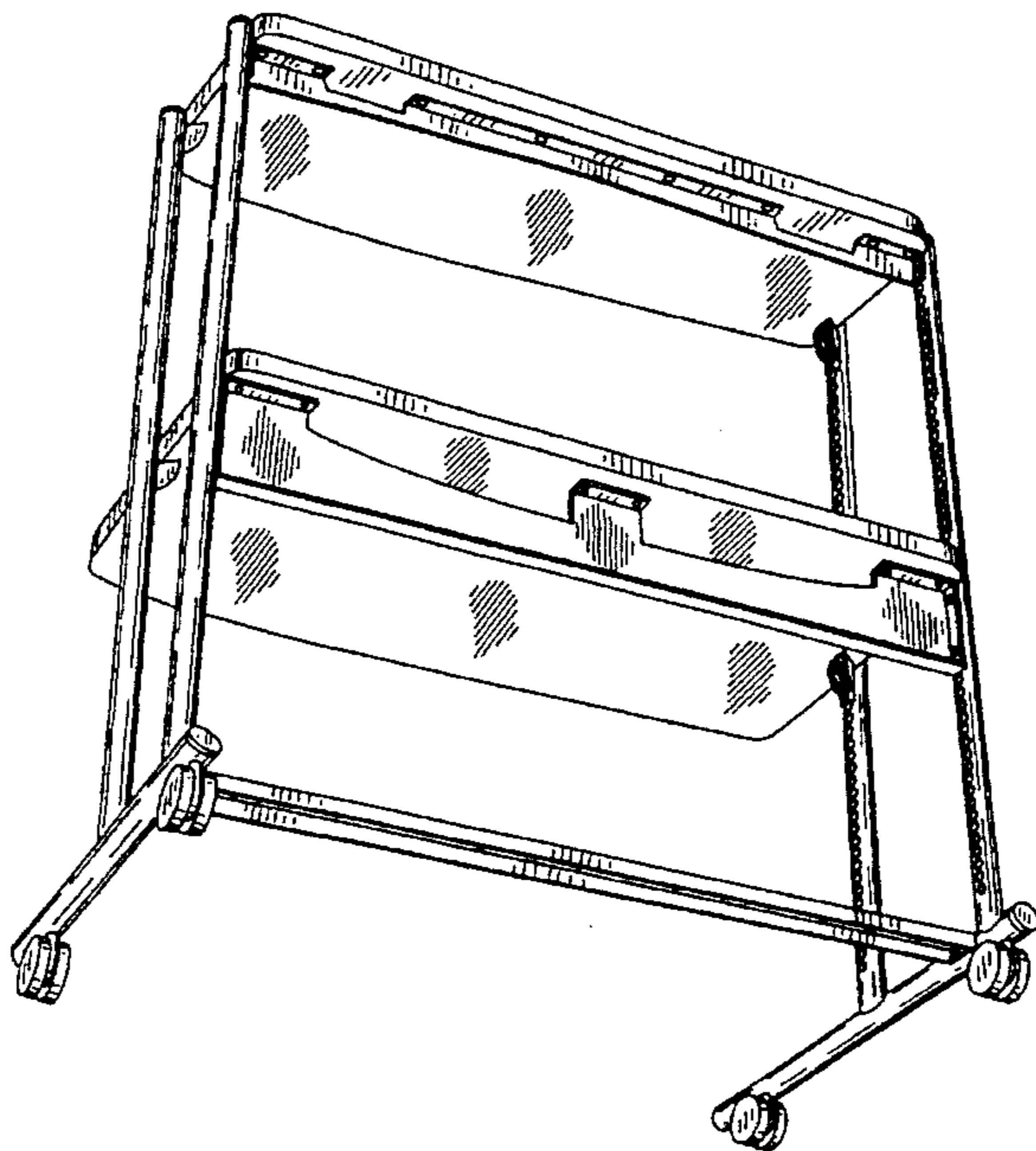
FIG. 13 is a top, front perspective view of the shelf cart of FIG. 9 with the lowest shelf extended;

FIG. 14 is a top, front perspective view of the shelf cart of FIG. 9 with the lowest shelf retracted;

FIG. 15 is a left side elevational view of the shelf cart of FIG. 9 with the lowest shelf extended; and,

FIG. 16 is a left side elevational view of the shelf cart of FIG. 9 with the lowest shelf retracted.

1 Claim, 4 Drawing Sheets



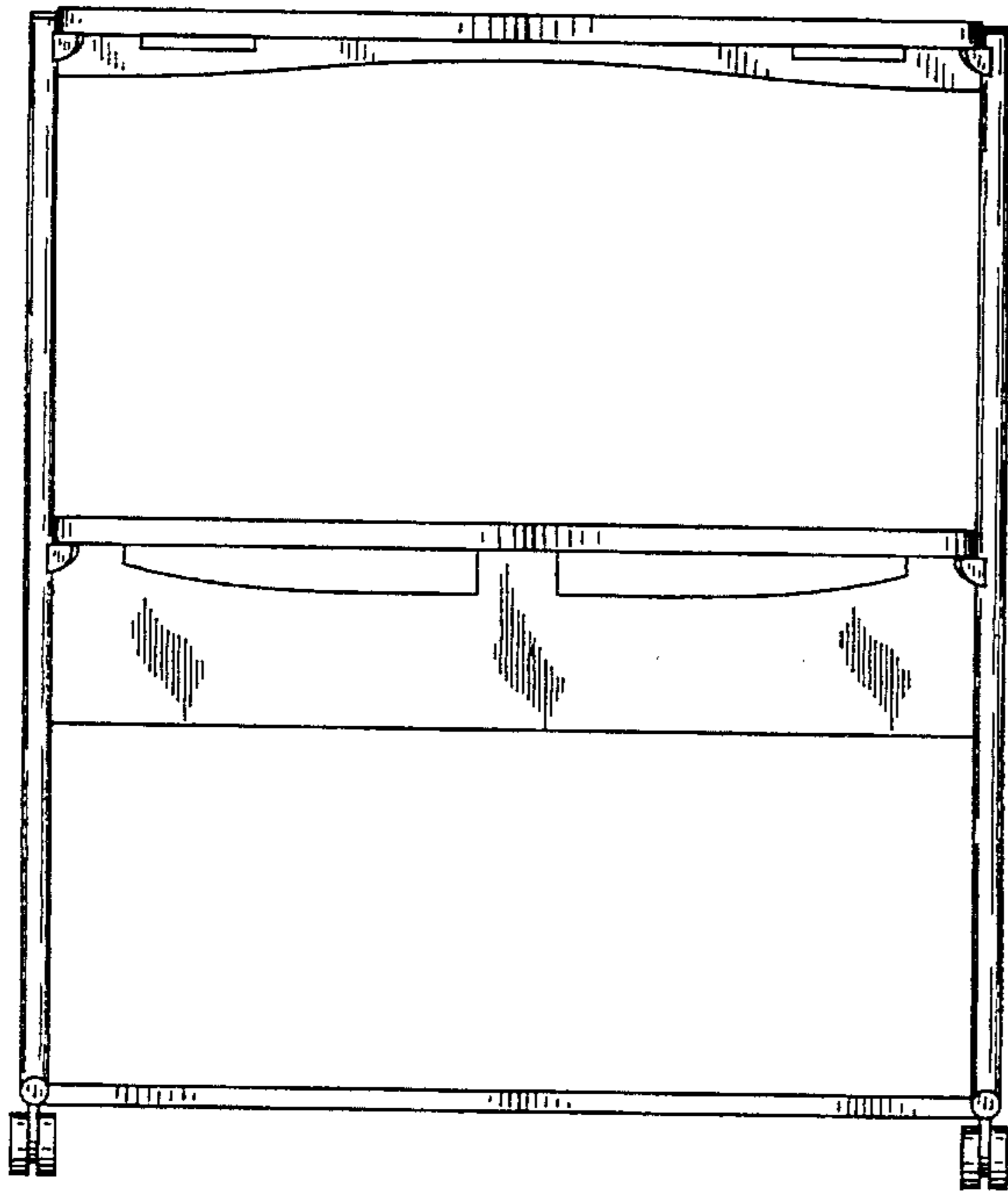


FIG. 1

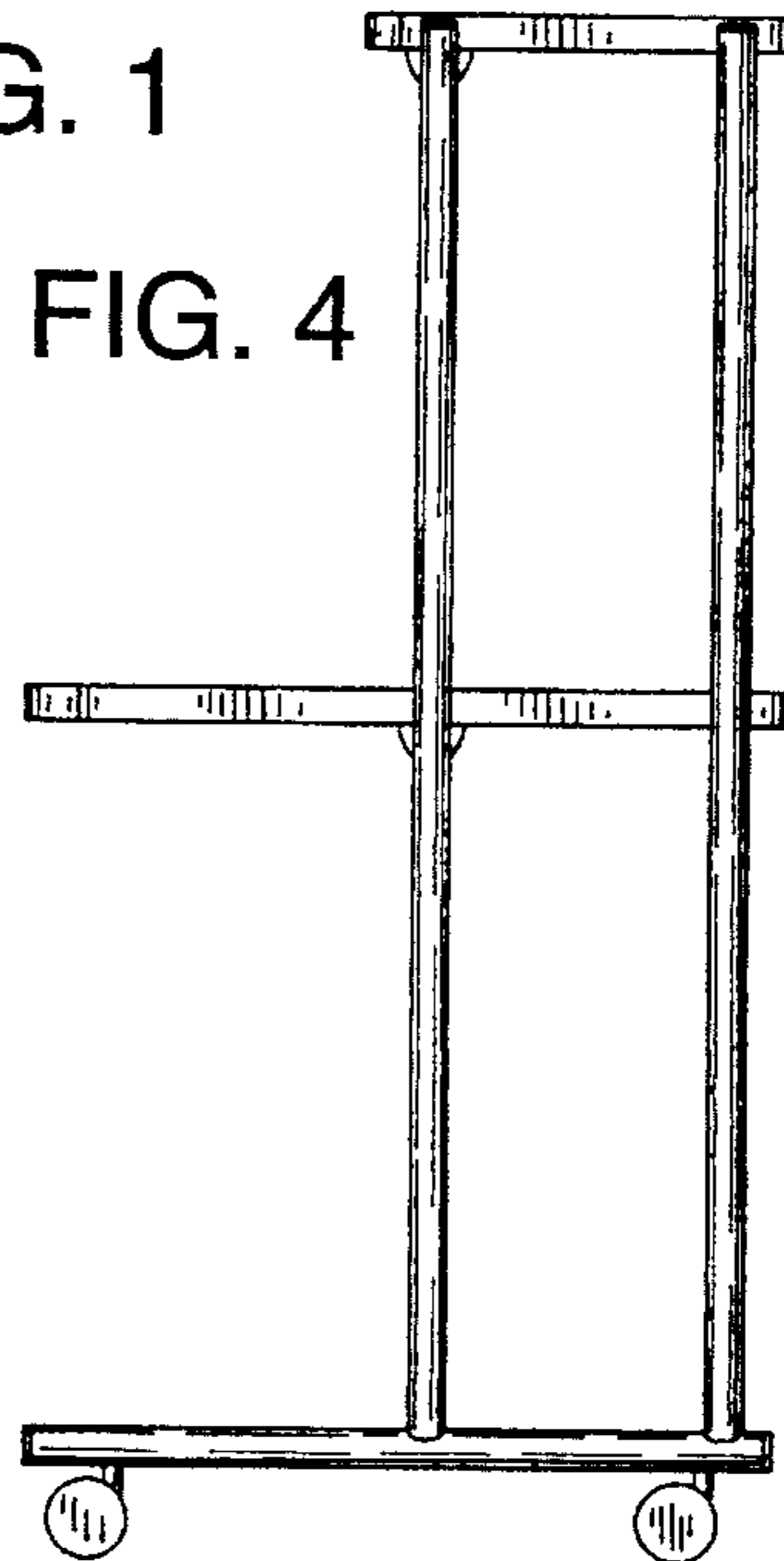


FIG. 4

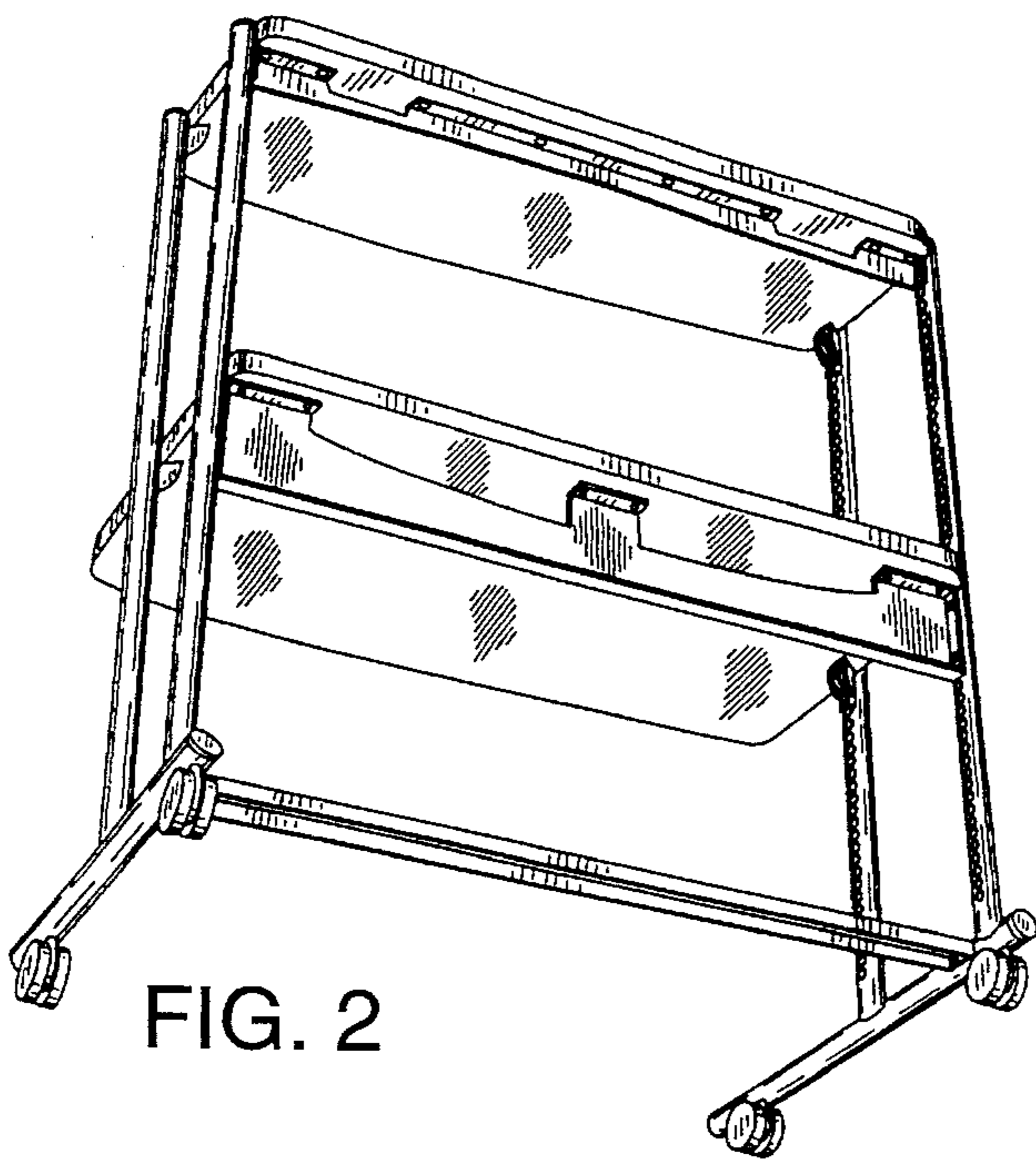


FIG. 2

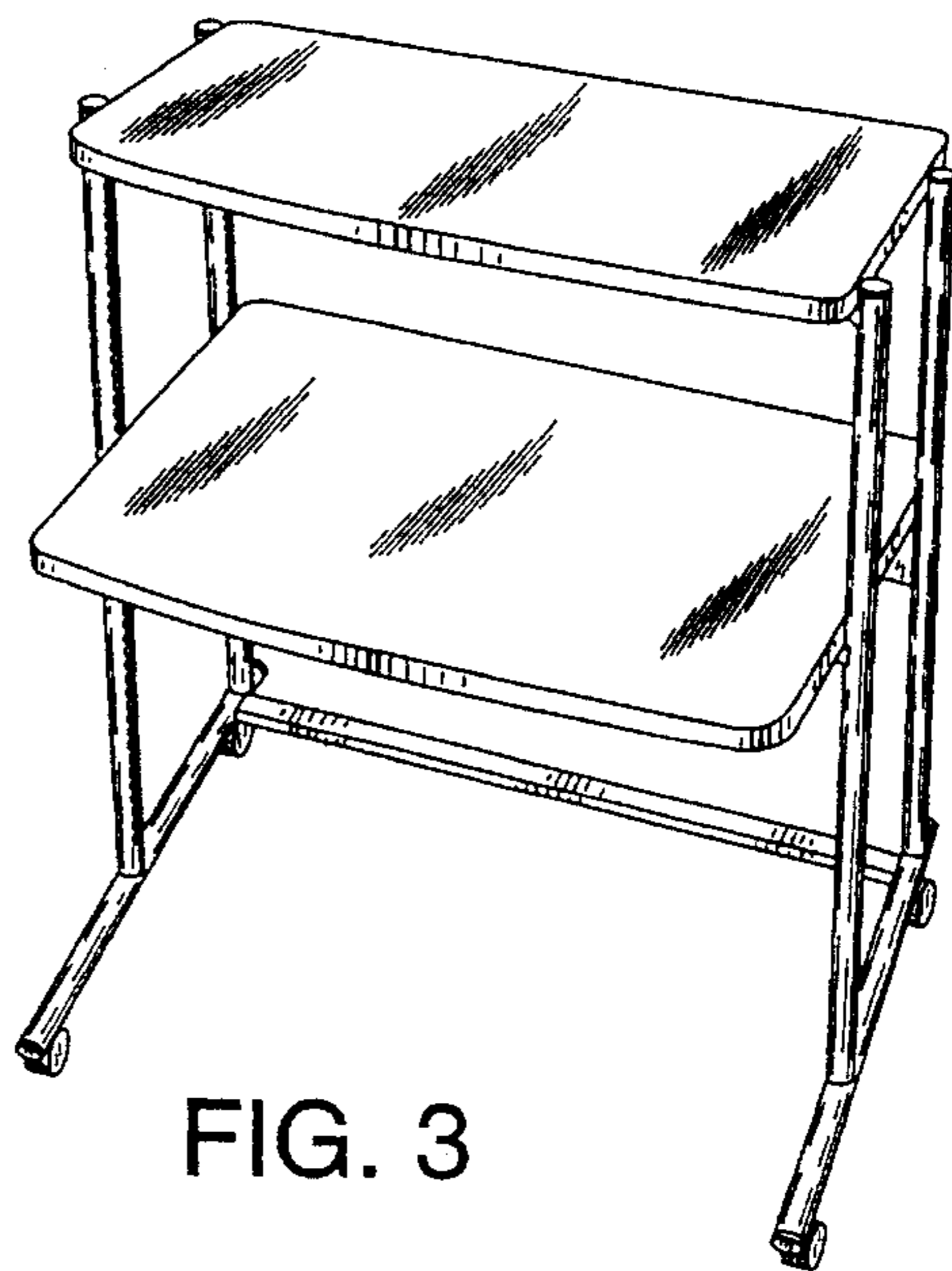


FIG. 3

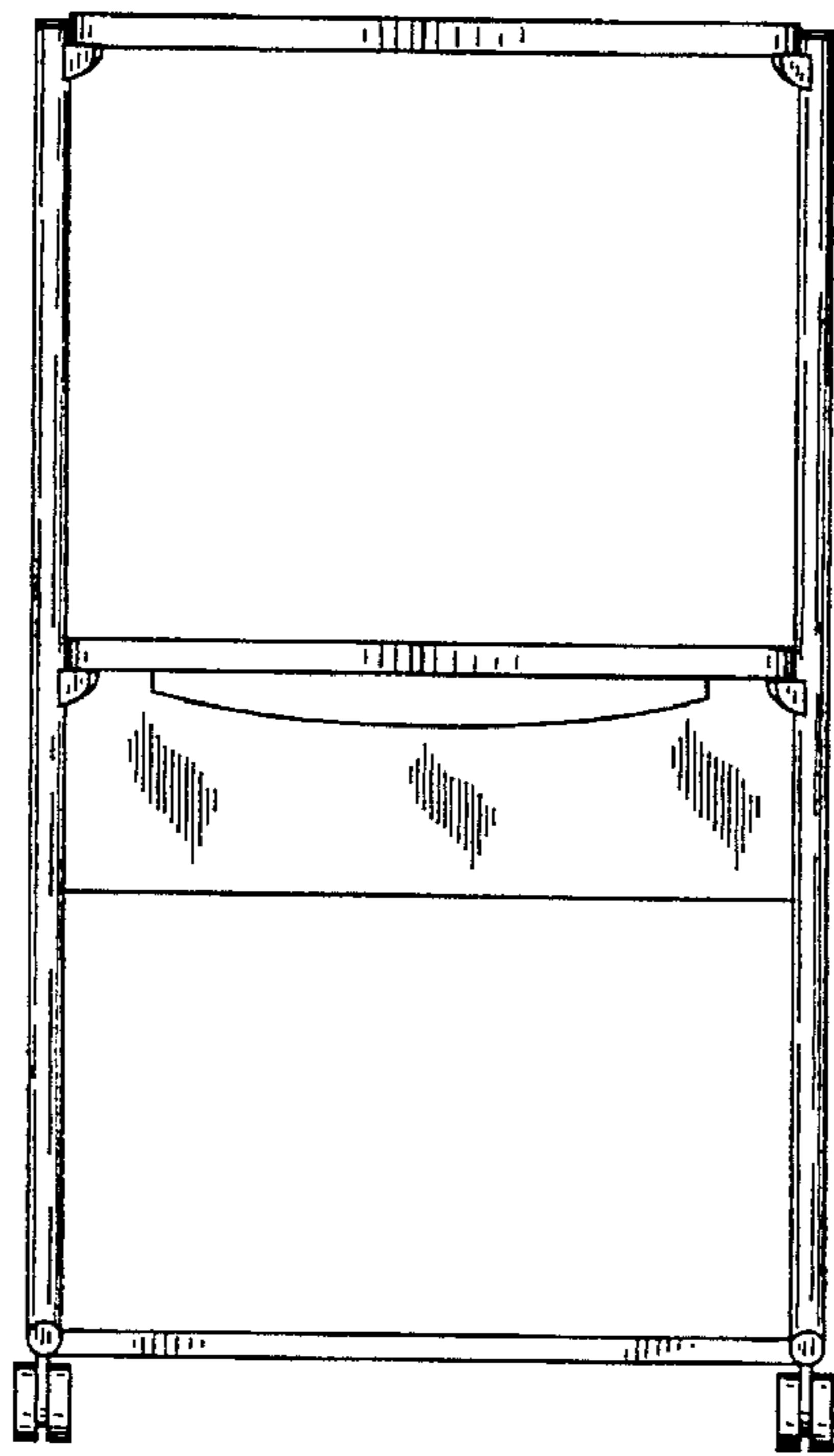


FIG. 5

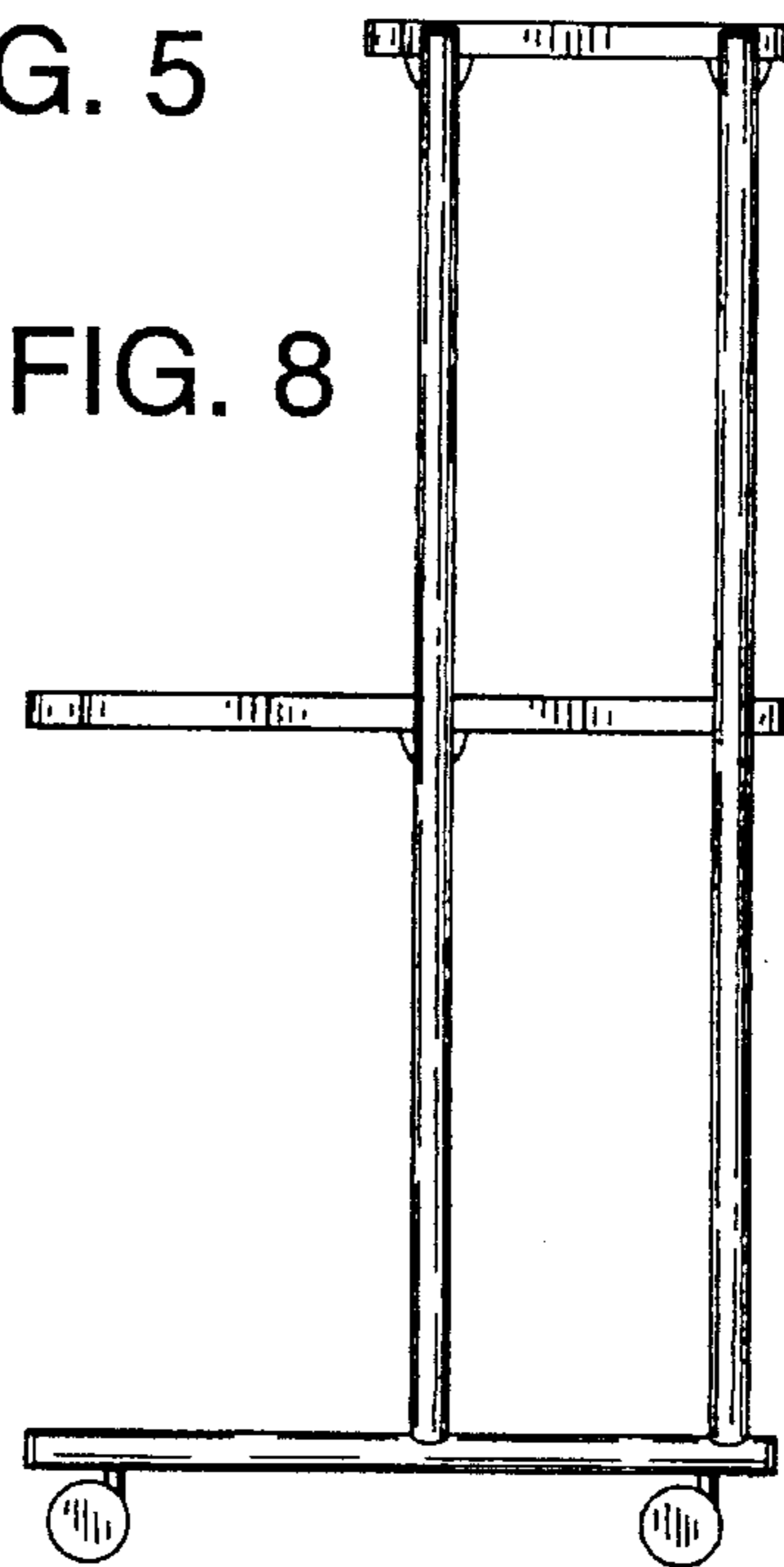


FIG. 8

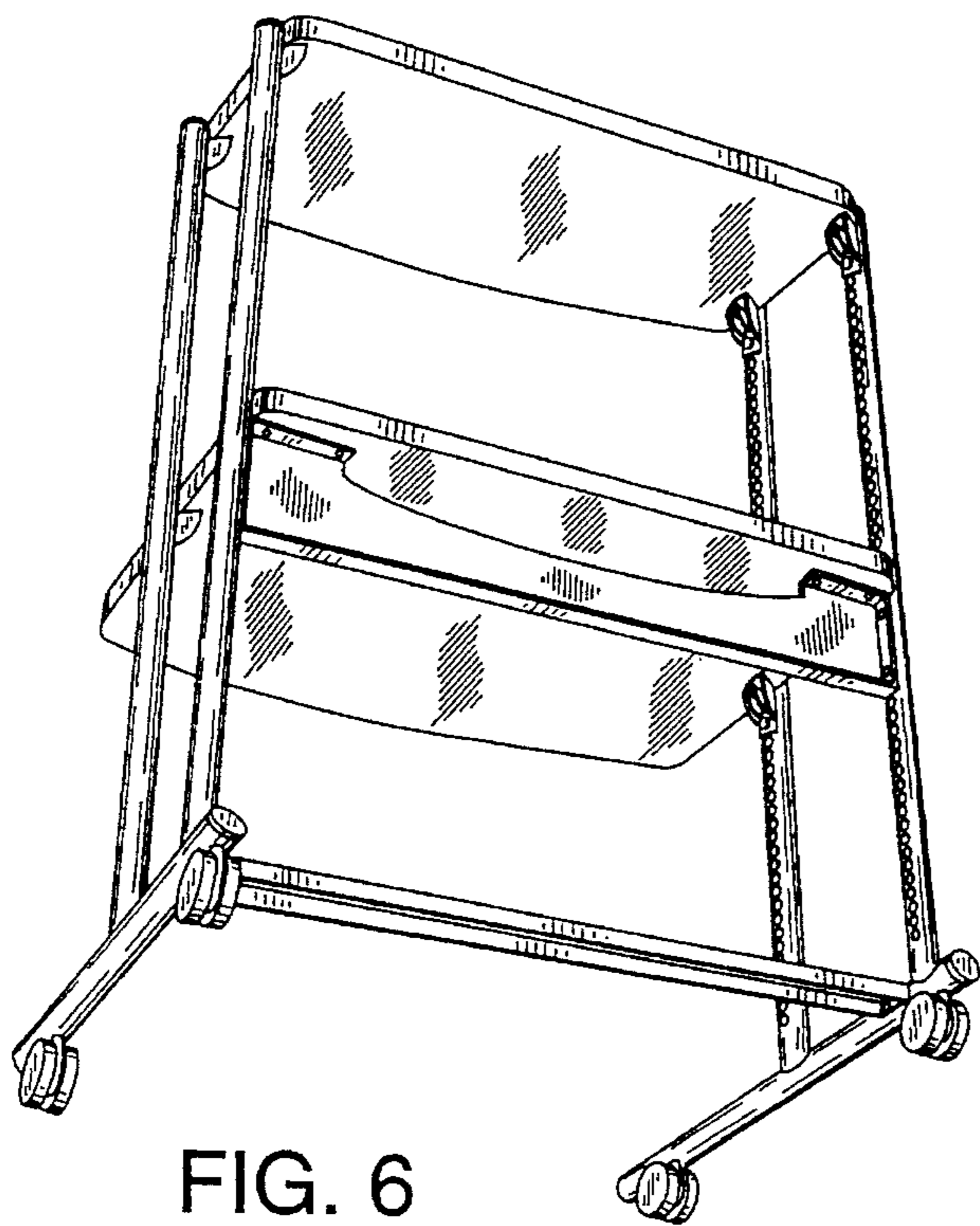


FIG. 6

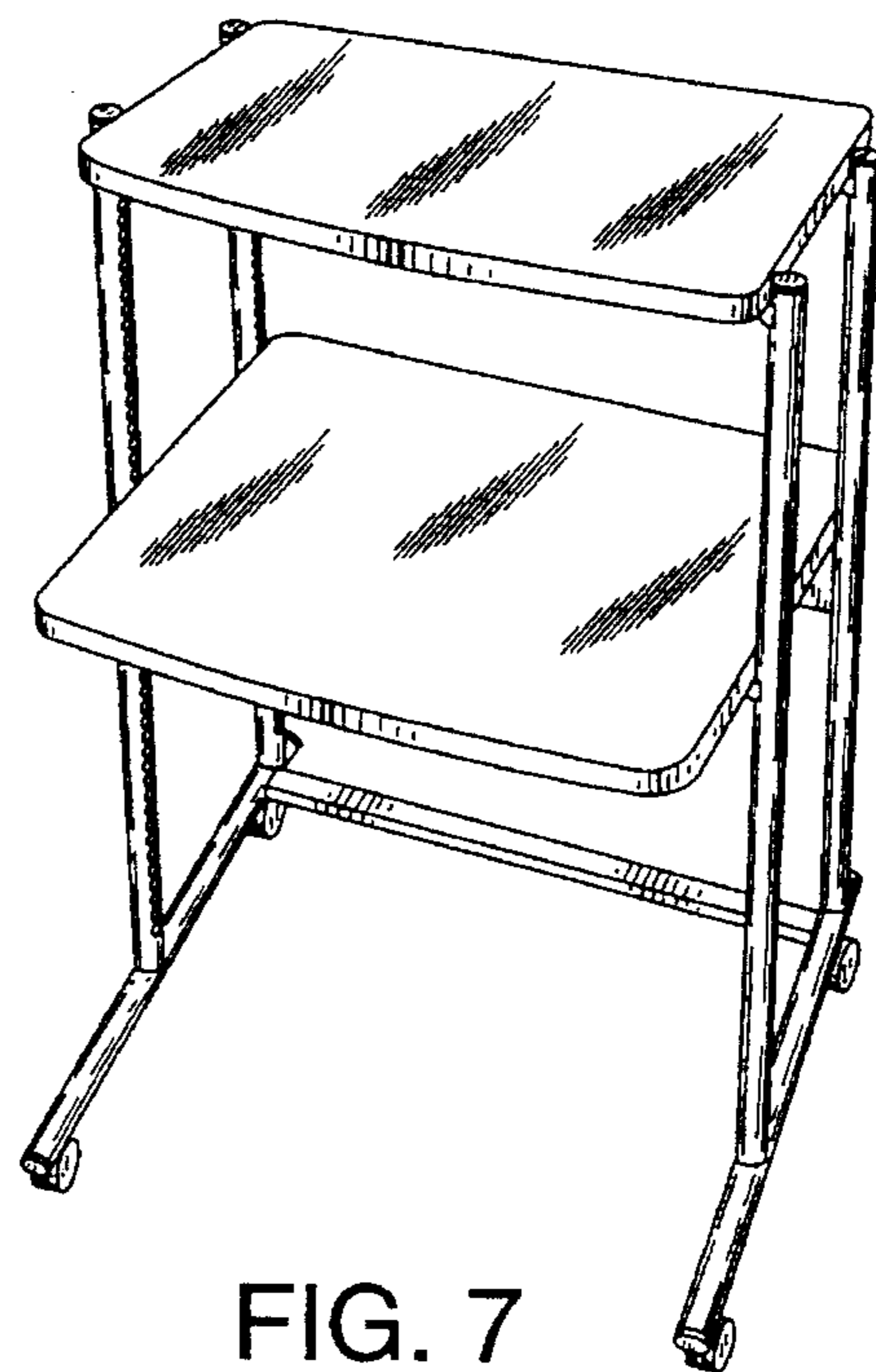


FIG. 7

FIG. 9

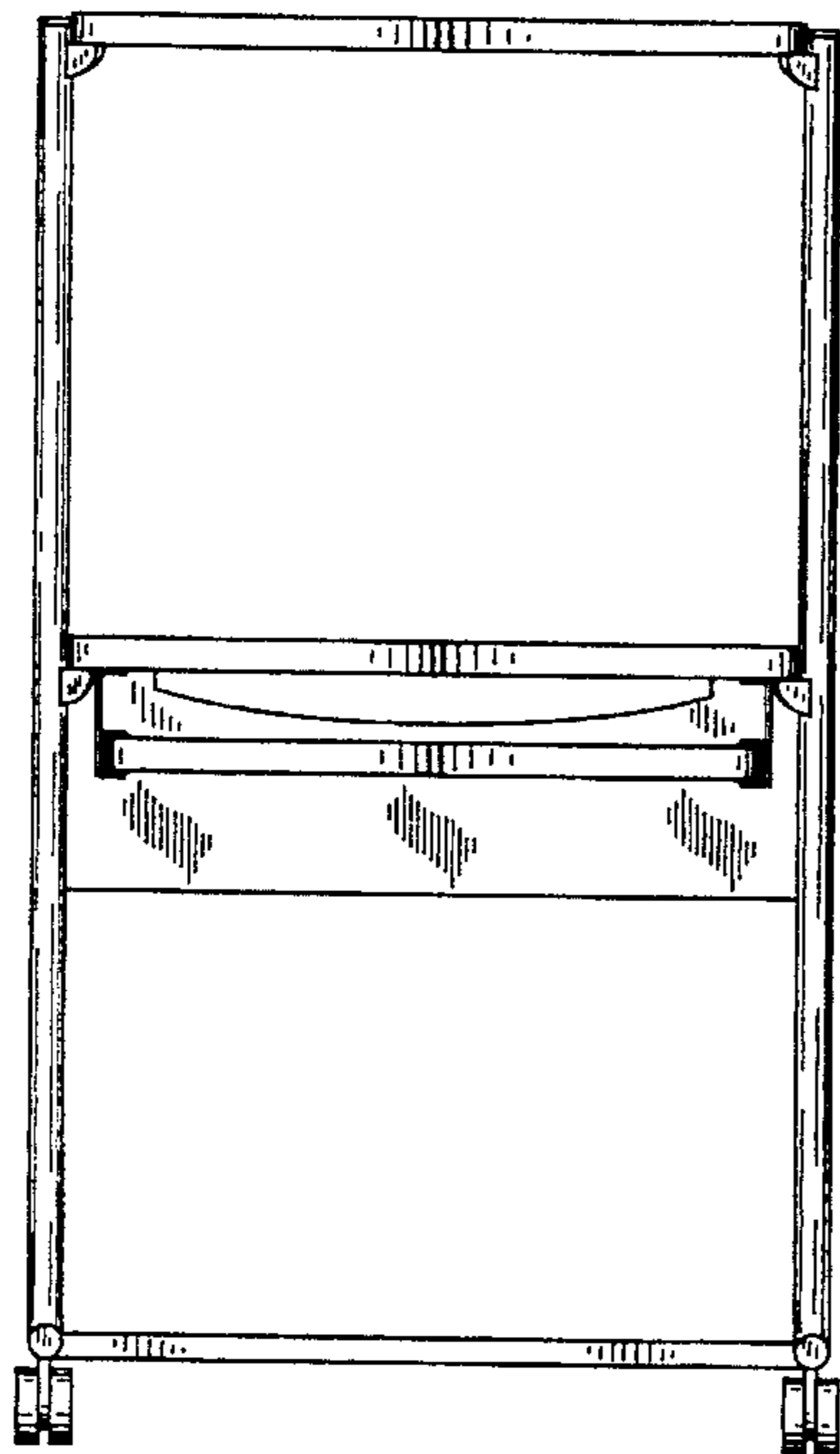


FIG. 10

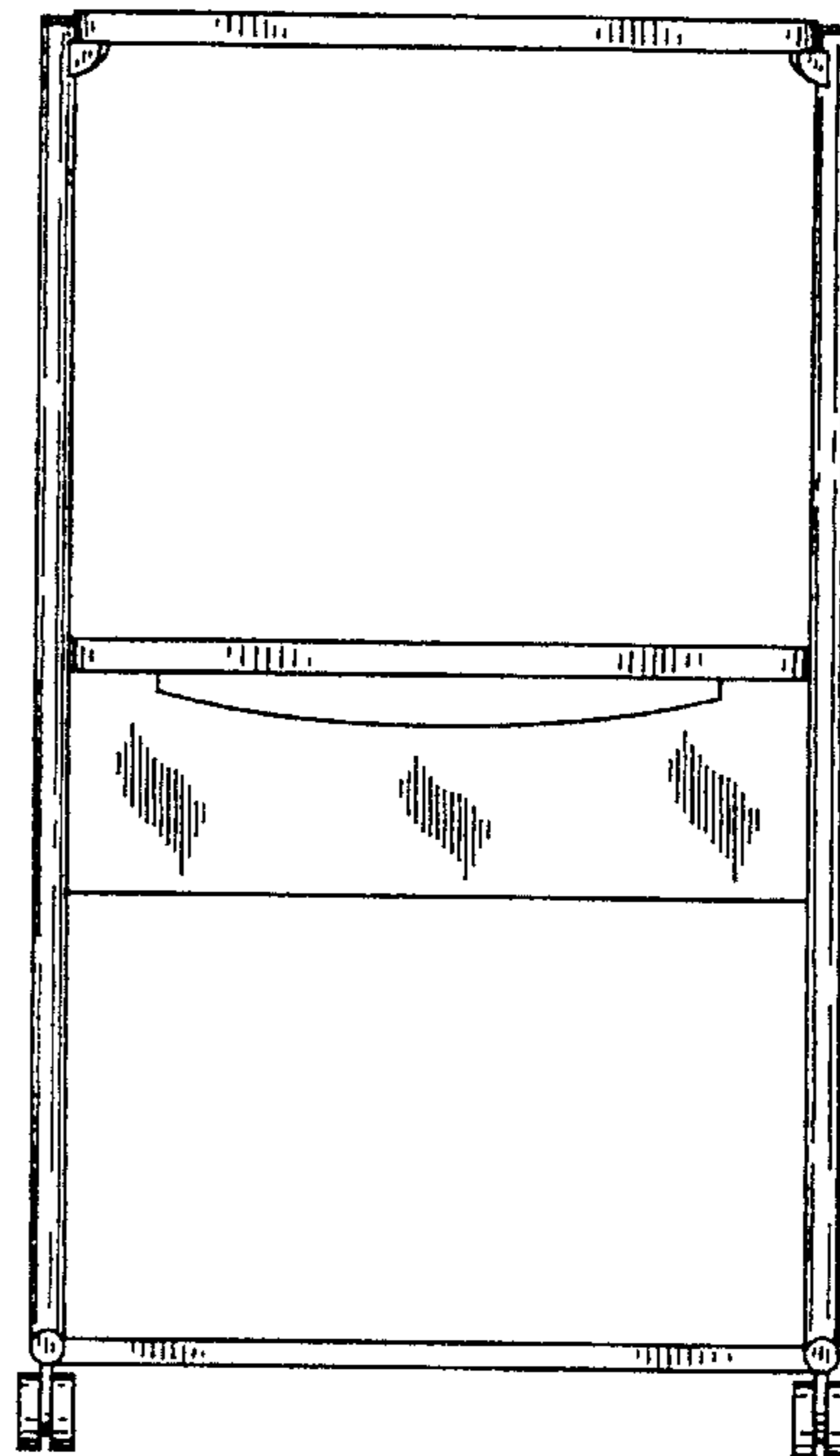


FIG. 11

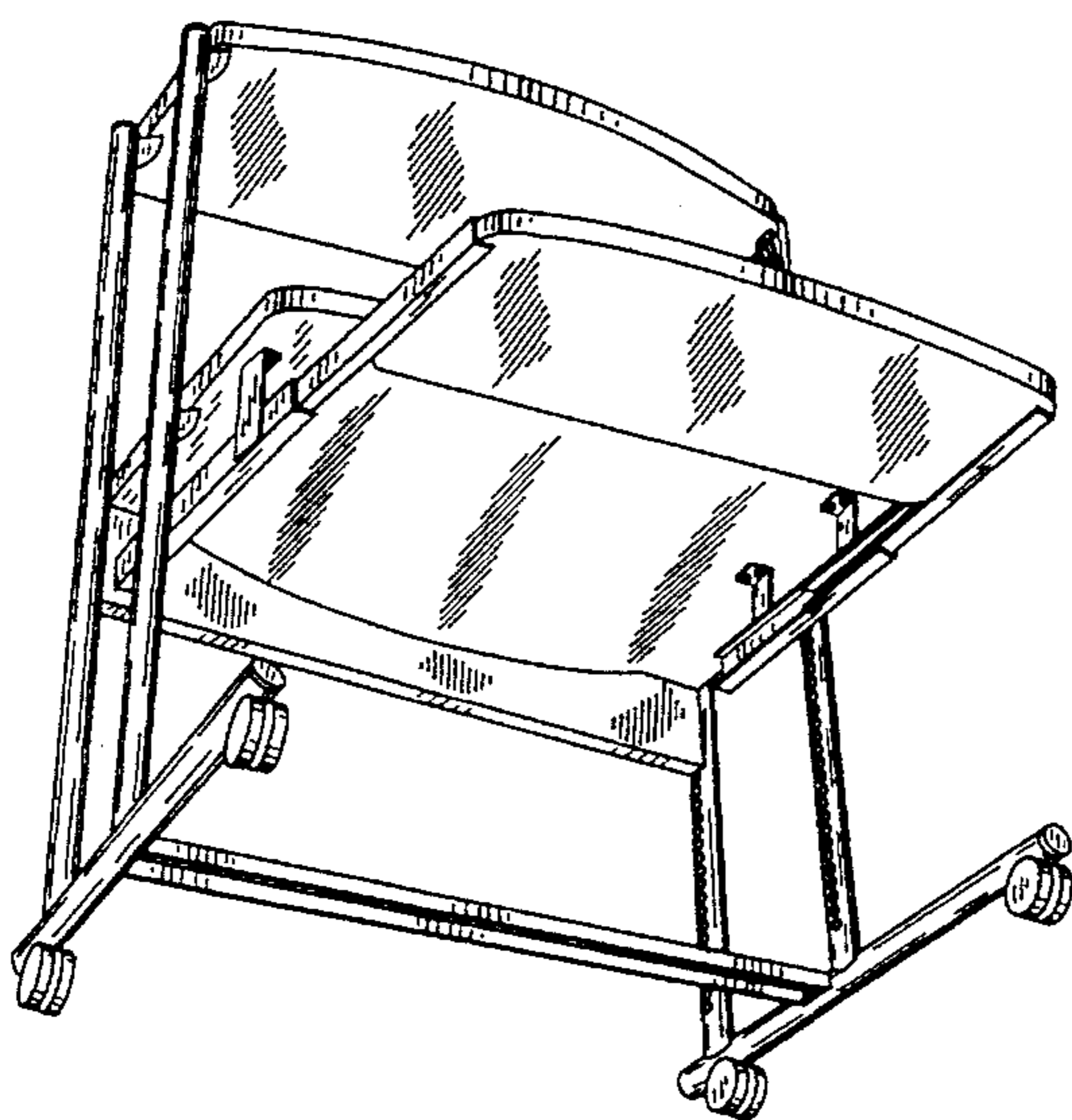
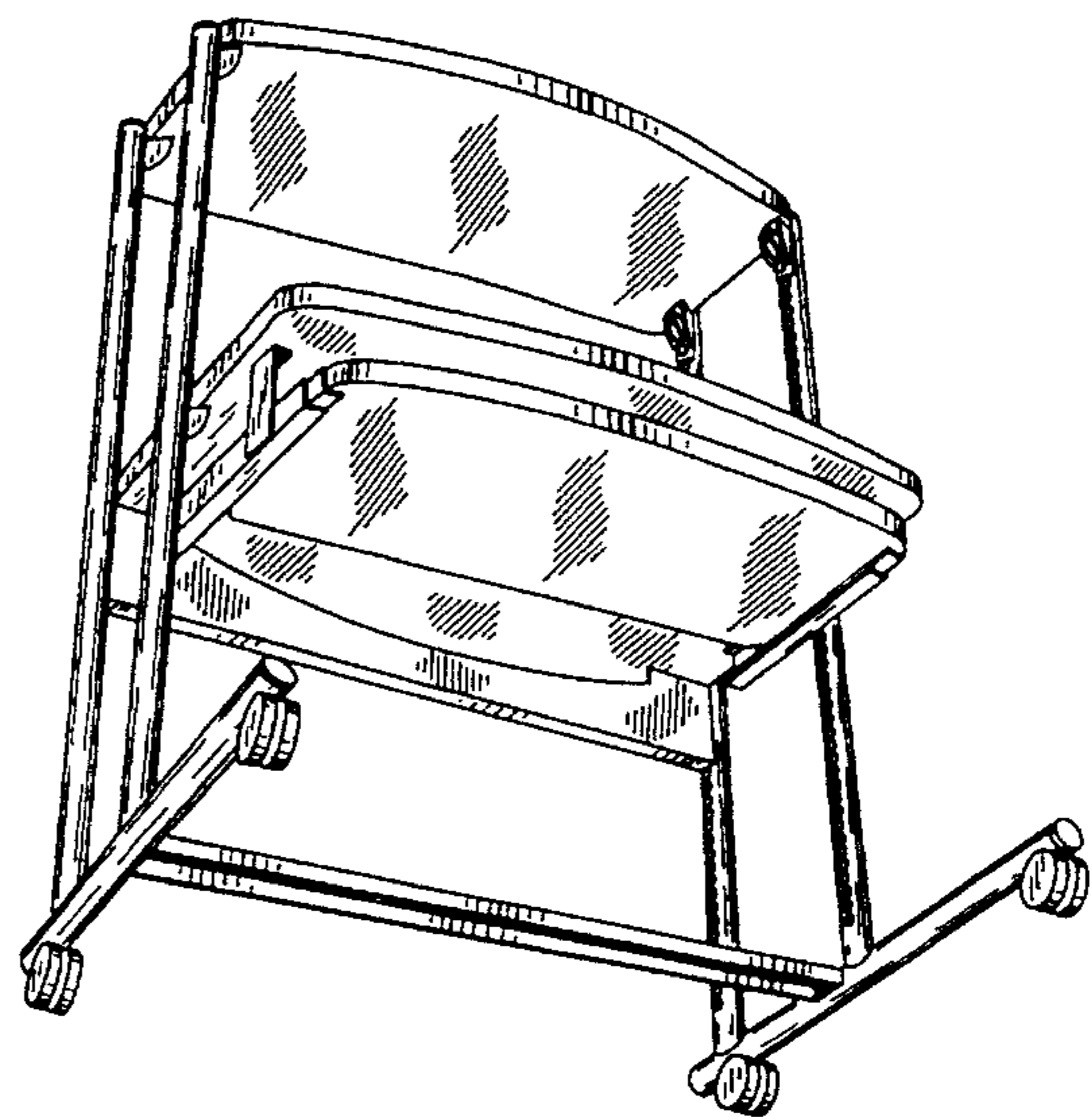


FIG. 12



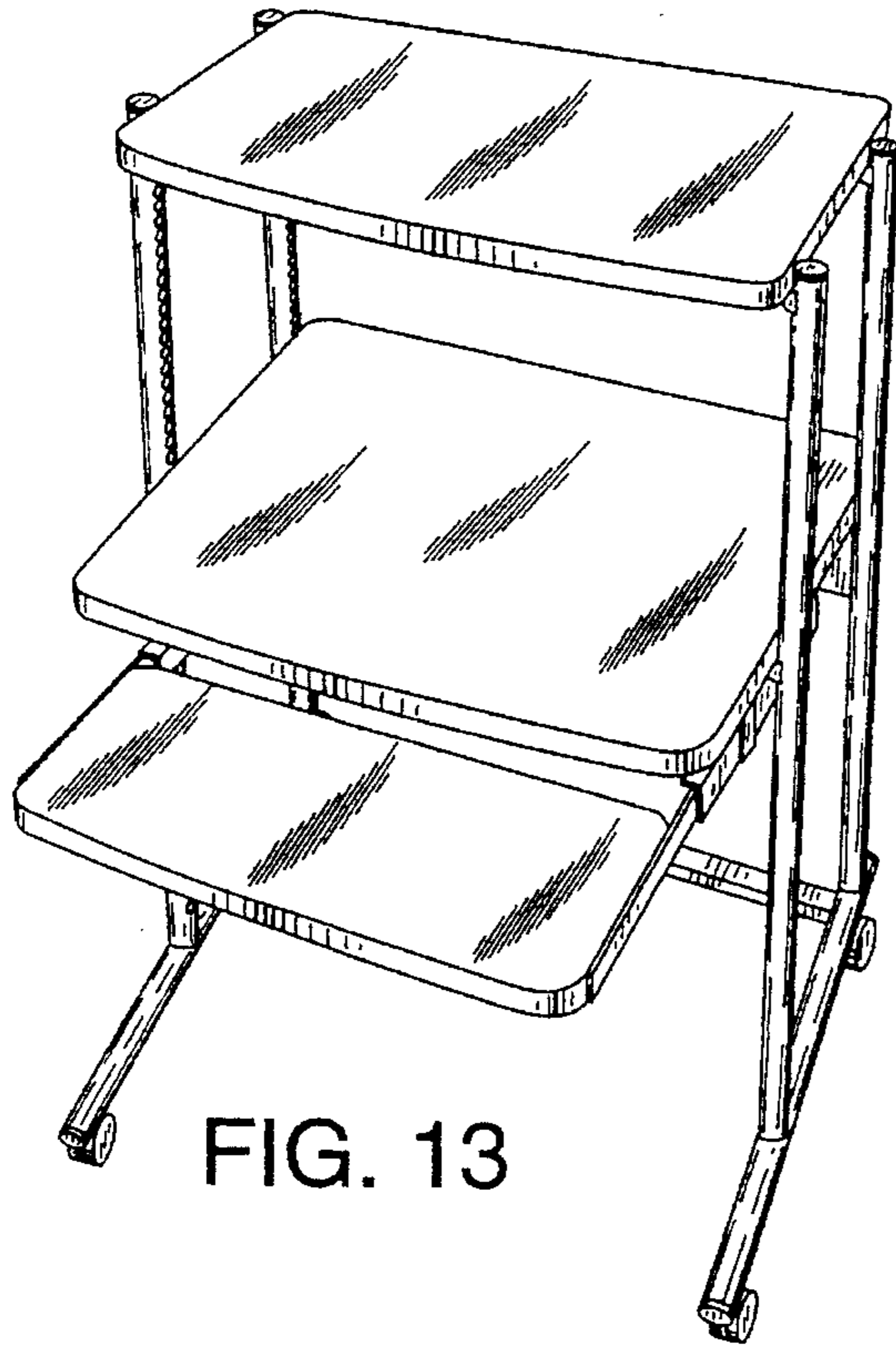


FIG. 13

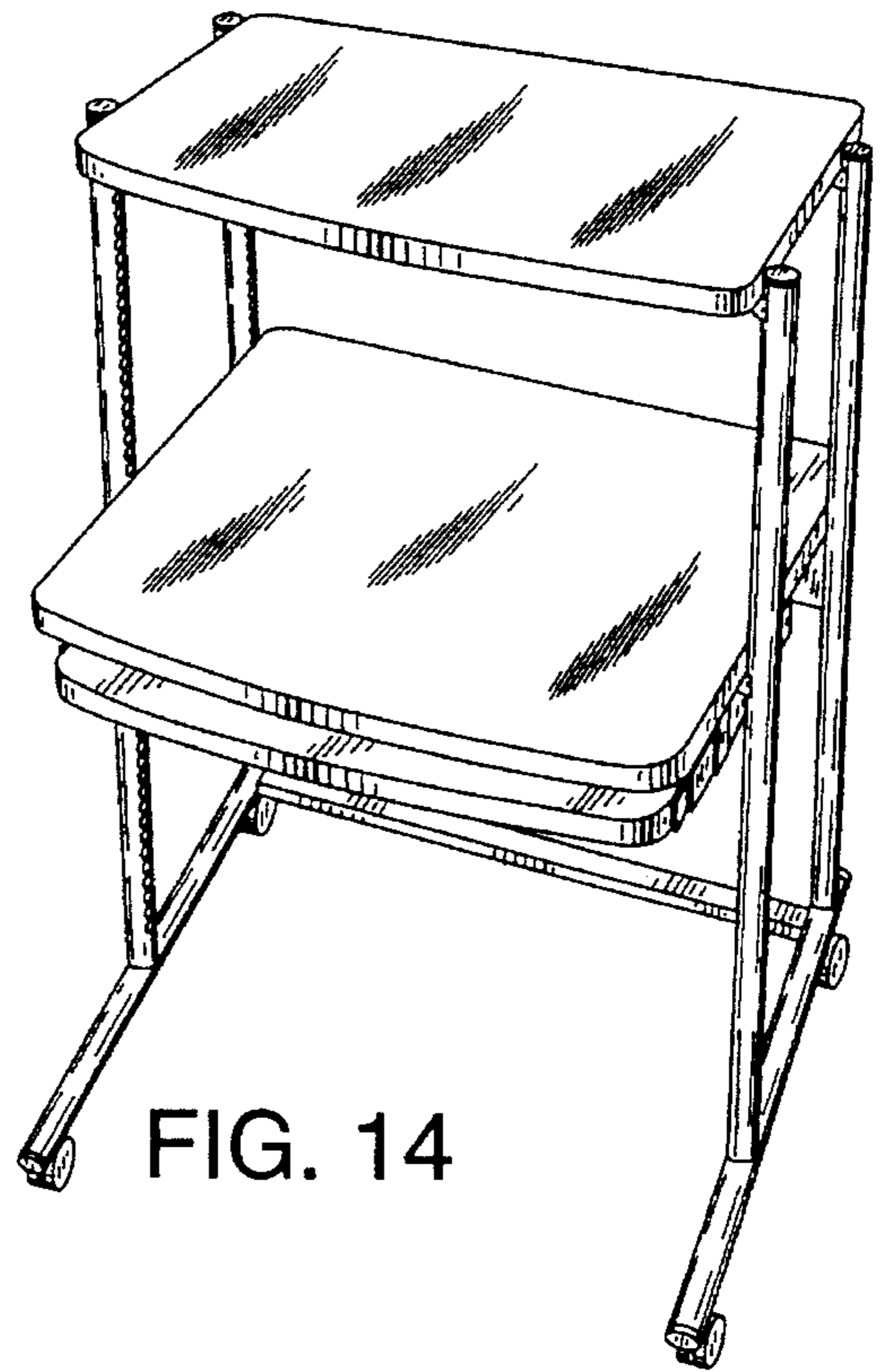


FIG. 14

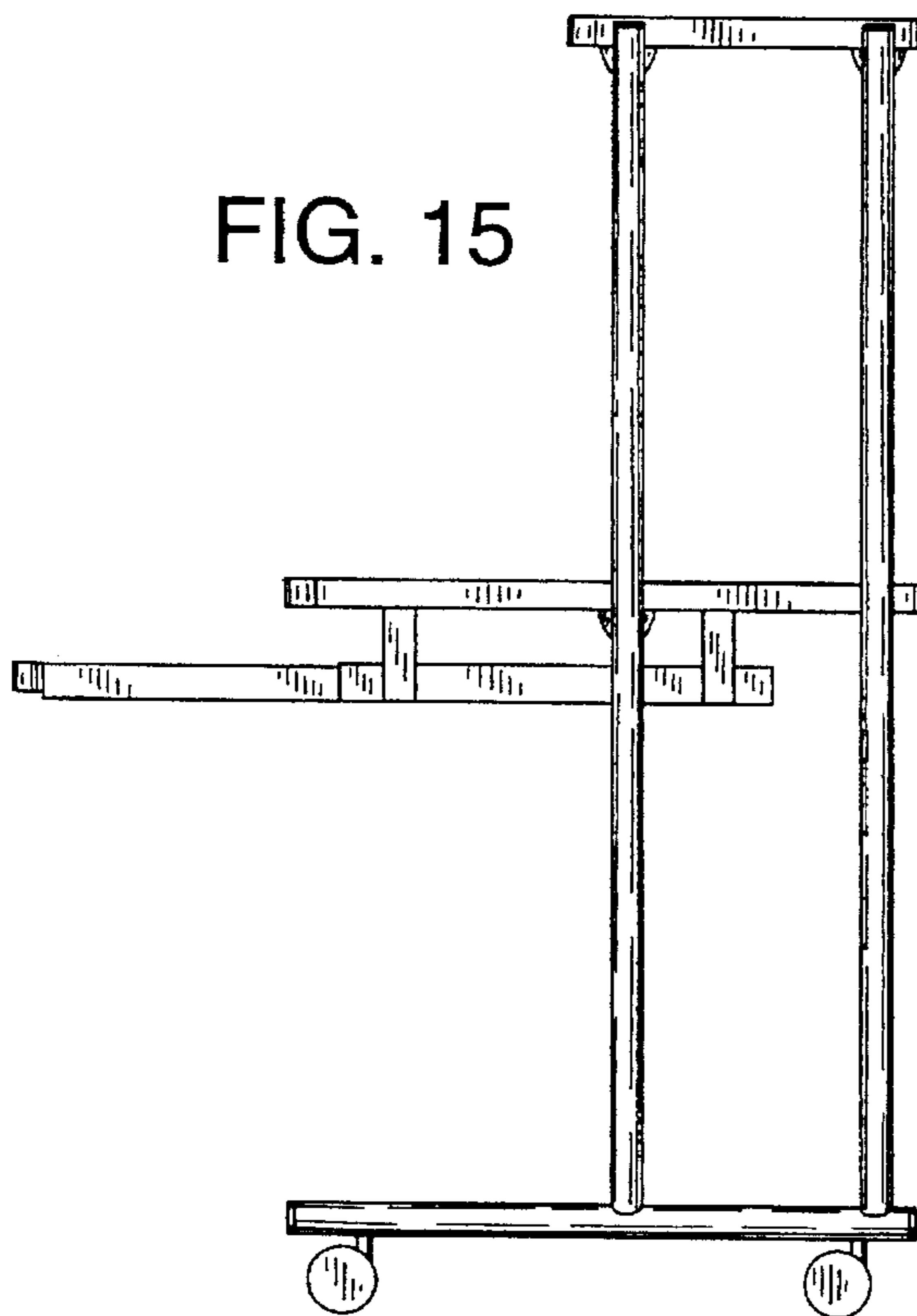


FIG. 15

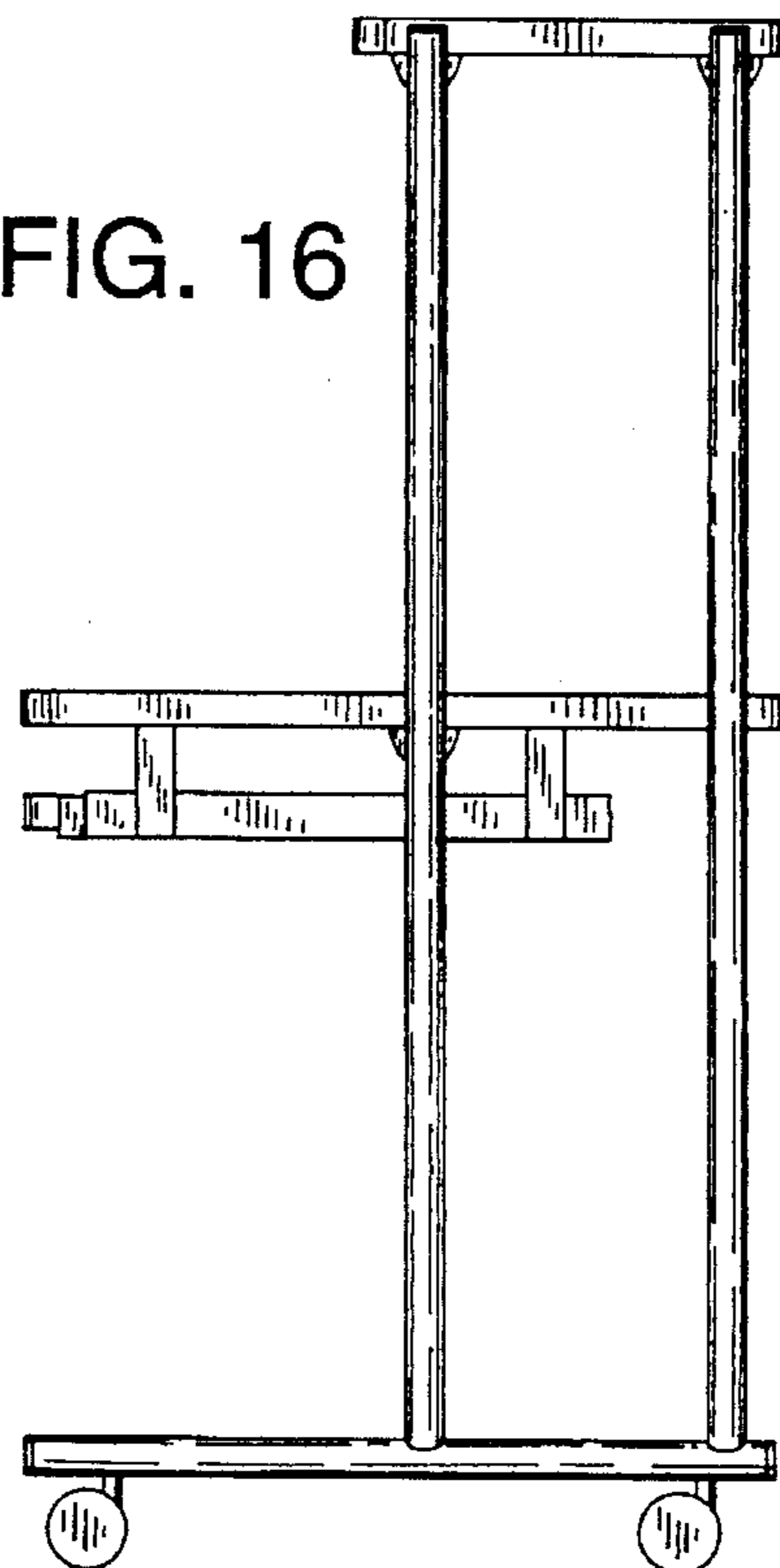


FIG. 16