



US00D373667S

# United States Patent [19]

[11] Patent Number: **Des. 373,667**

Hunsaker

[45] Date of Patent: **\*\*Sep. 10, 1996**

[54] **GOLF BAG DOLLY CART**

*Attorney, Agent, or Firm*—Gene W. Arant

[76] Inventor: **Gary B. Hunsaker**, 4475 Dupont Ct.  
#10, Ventura, Calif. 93003

[57] **CLAIM**

[\*\*] Term: **14 Years**

The ornamental design for a golf bag dolly cart, as shown and described.

[21] Appl. No.: **42,671**

### DESCRIPTION

[22] Filed: **Aug. 14, 1995**

[52] U.S. Cl. .... **D34/15; D34/27**

[58] Field of Search ..... D34/12, 15, 27,  
D34/23; 280/79.2, 79.5, DIG. 5, DIG. 6

FIG. 1 is a perspective view of a golf bag dolly cart showing my new design, the broken lines are for illustrative purposes only and form no part of the claimed design;

FIG. 2 is a front elevation view;

FIG. 3 is a right side elevation view;

FIG. 4 is a left side elevation view;

FIG. 5 is a rear elevation view;

FIG. 6 is a top plan view;

FIG. 7 is a bottom view; and,

FIG. 8 is a second embodiment of the golf bag dolly cart, the rear and bottom of the cart is the same as the FIGS. 5 and 7.

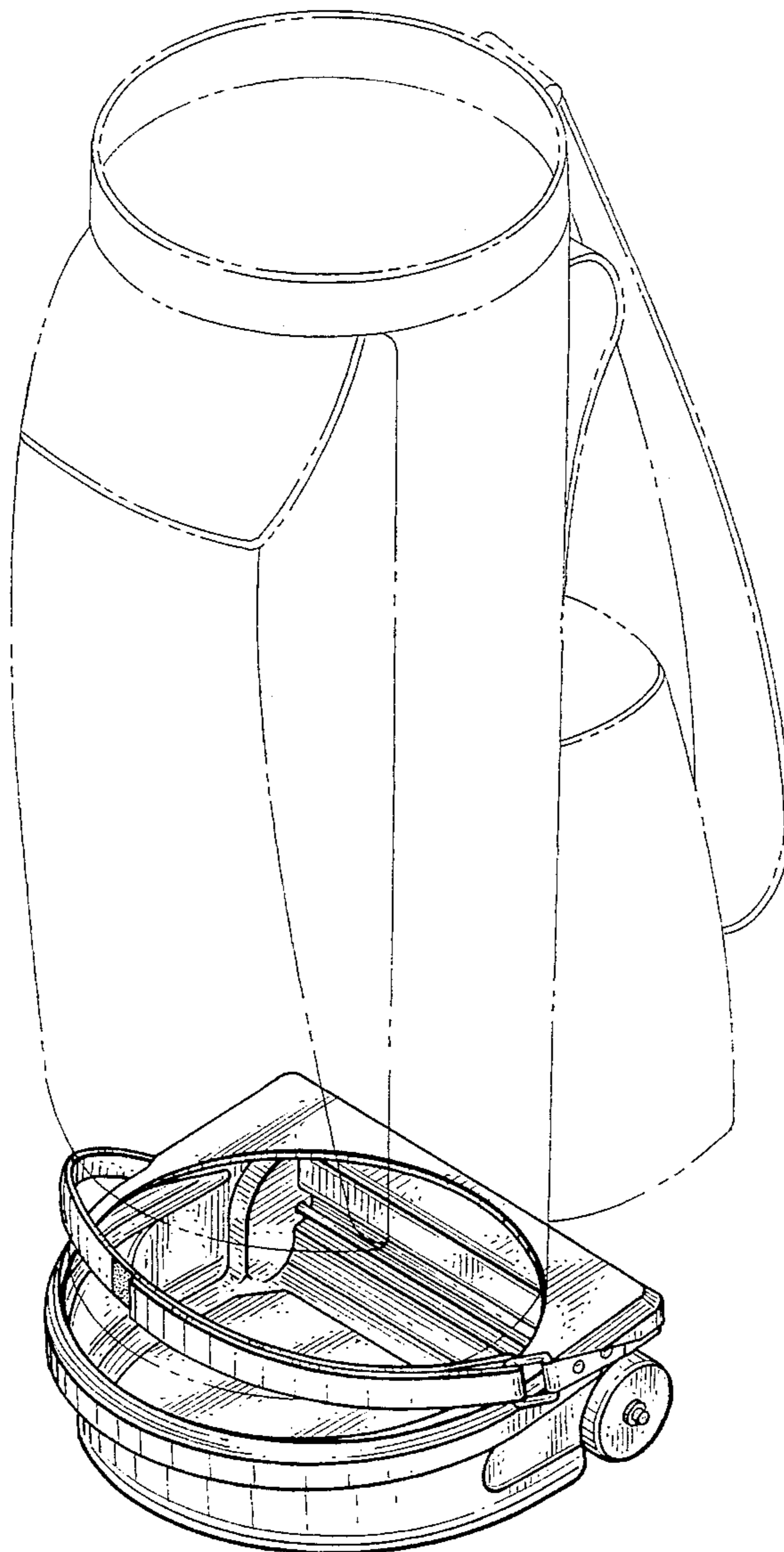
### [56] References Cited

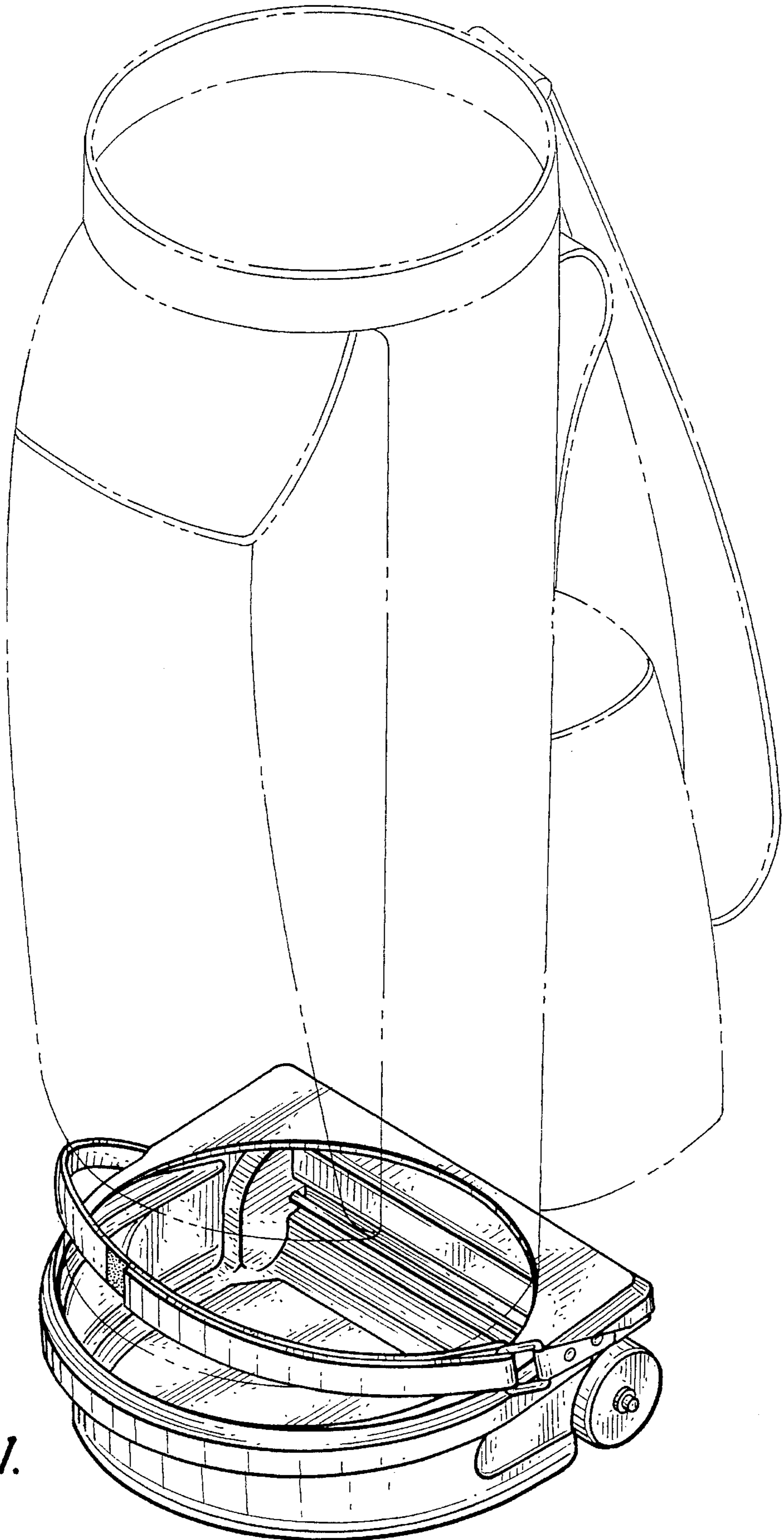
#### U.S. PATENT DOCUMENTS

4,222,580	9/1980	Krokonko	.....	280/79.2
5,123,667	6/1992	Stolzman	.....	280/79.5
5,292,140	3/1994	Laing	.....	280/79.5
5,472,220	12/1995	Stephan	.....	280/79.5

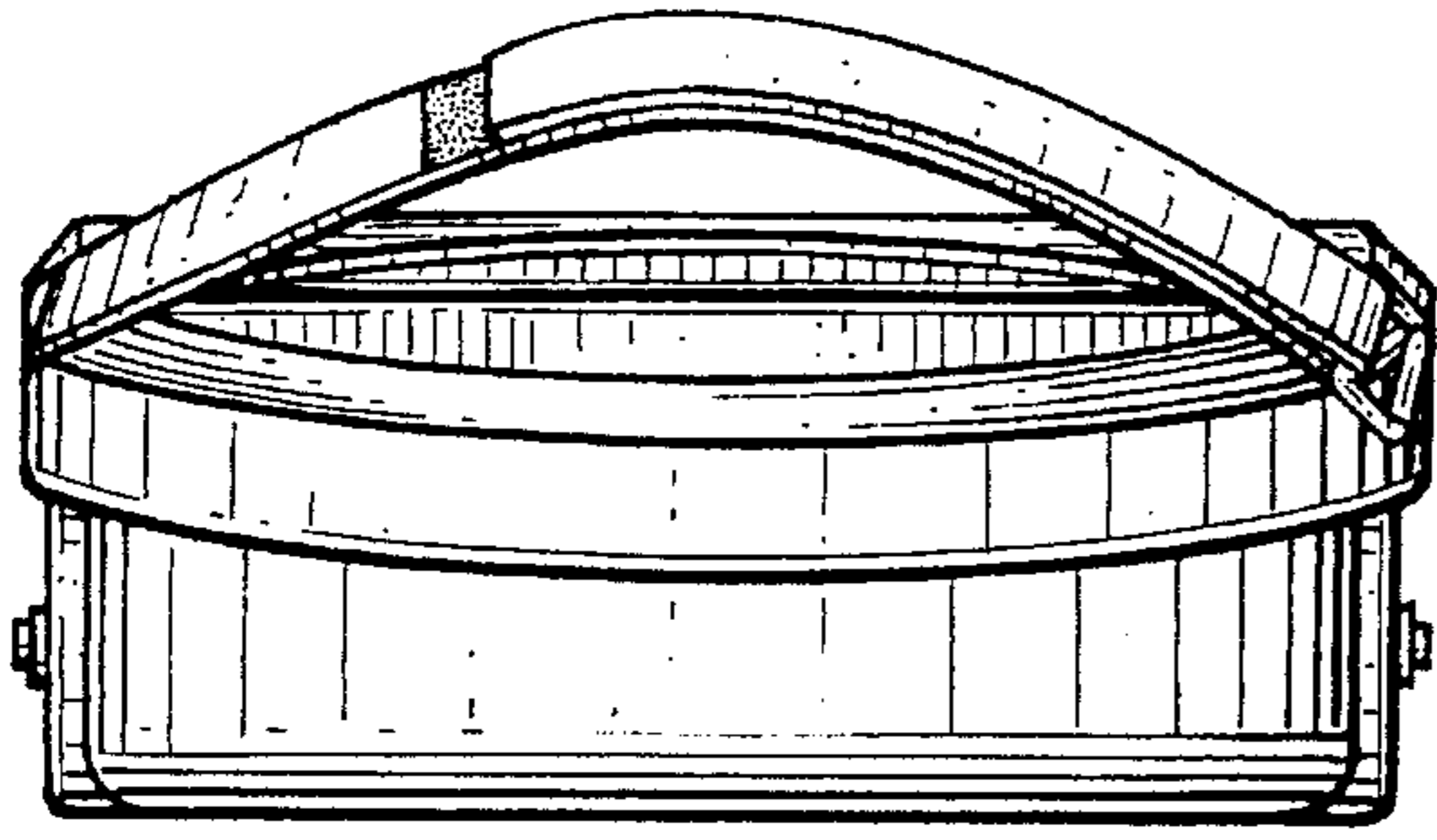
*Primary Examiner*—Kay H. Chin

**1 Claim, 3 Drawing Sheets**

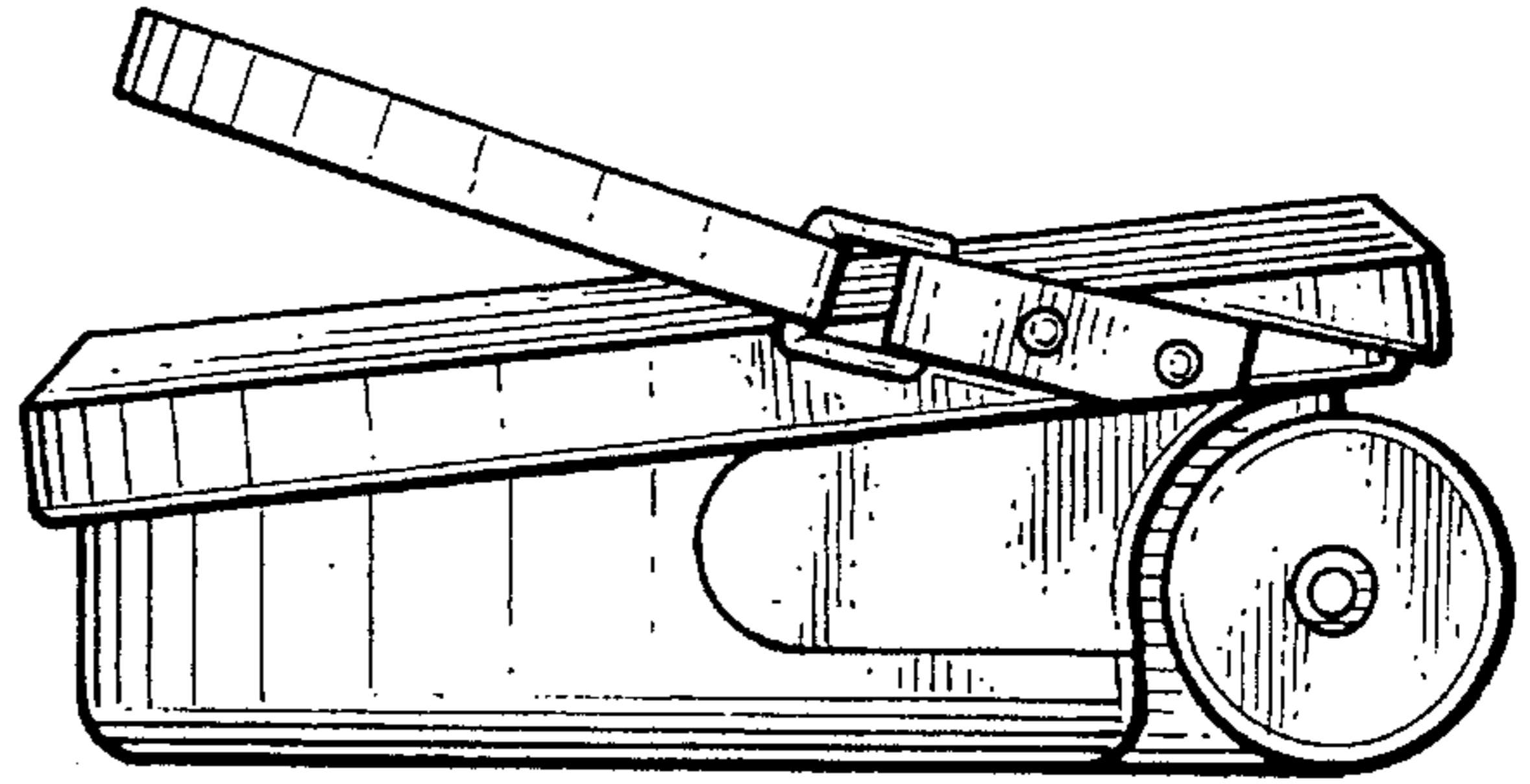




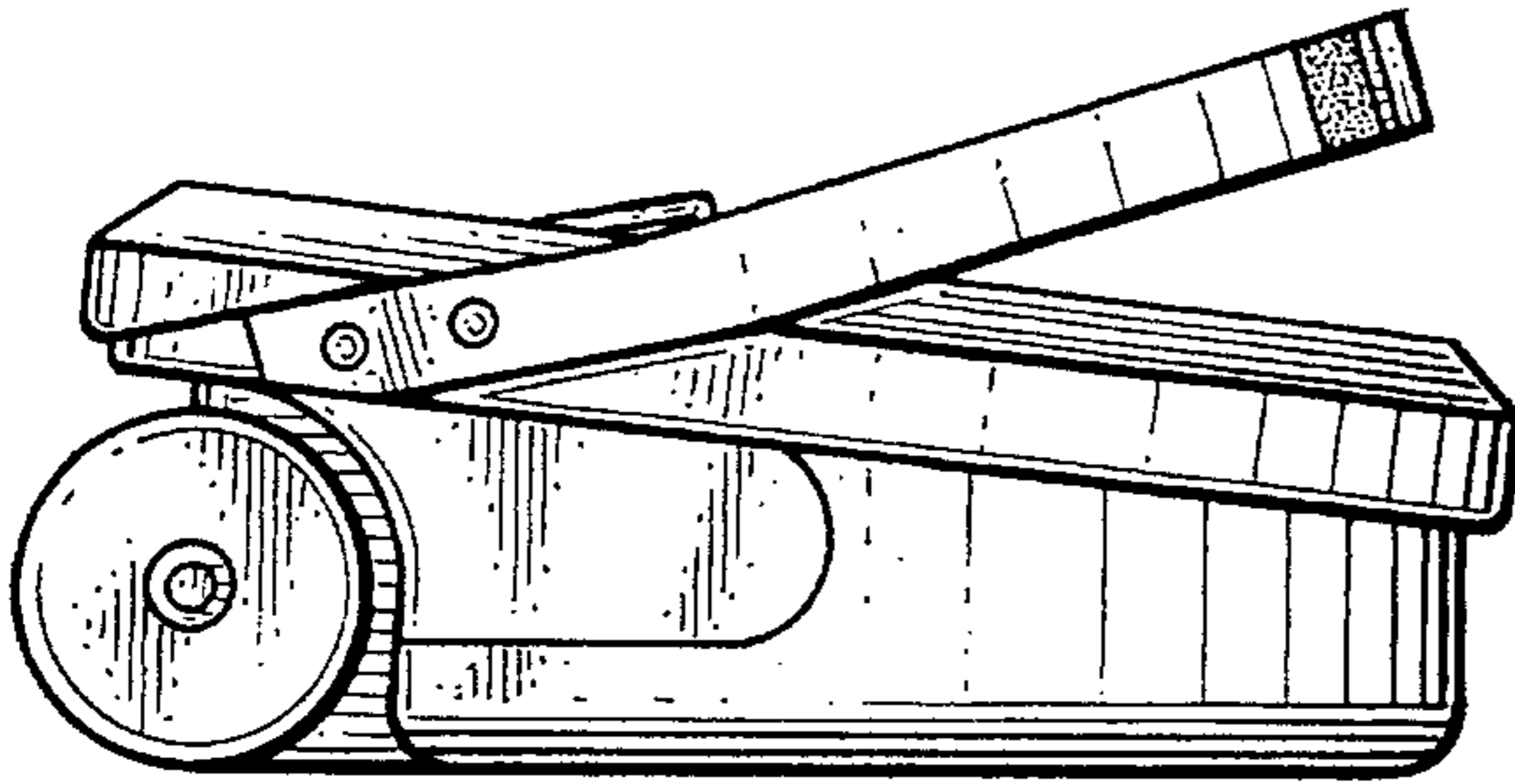
*Fig. 1.*



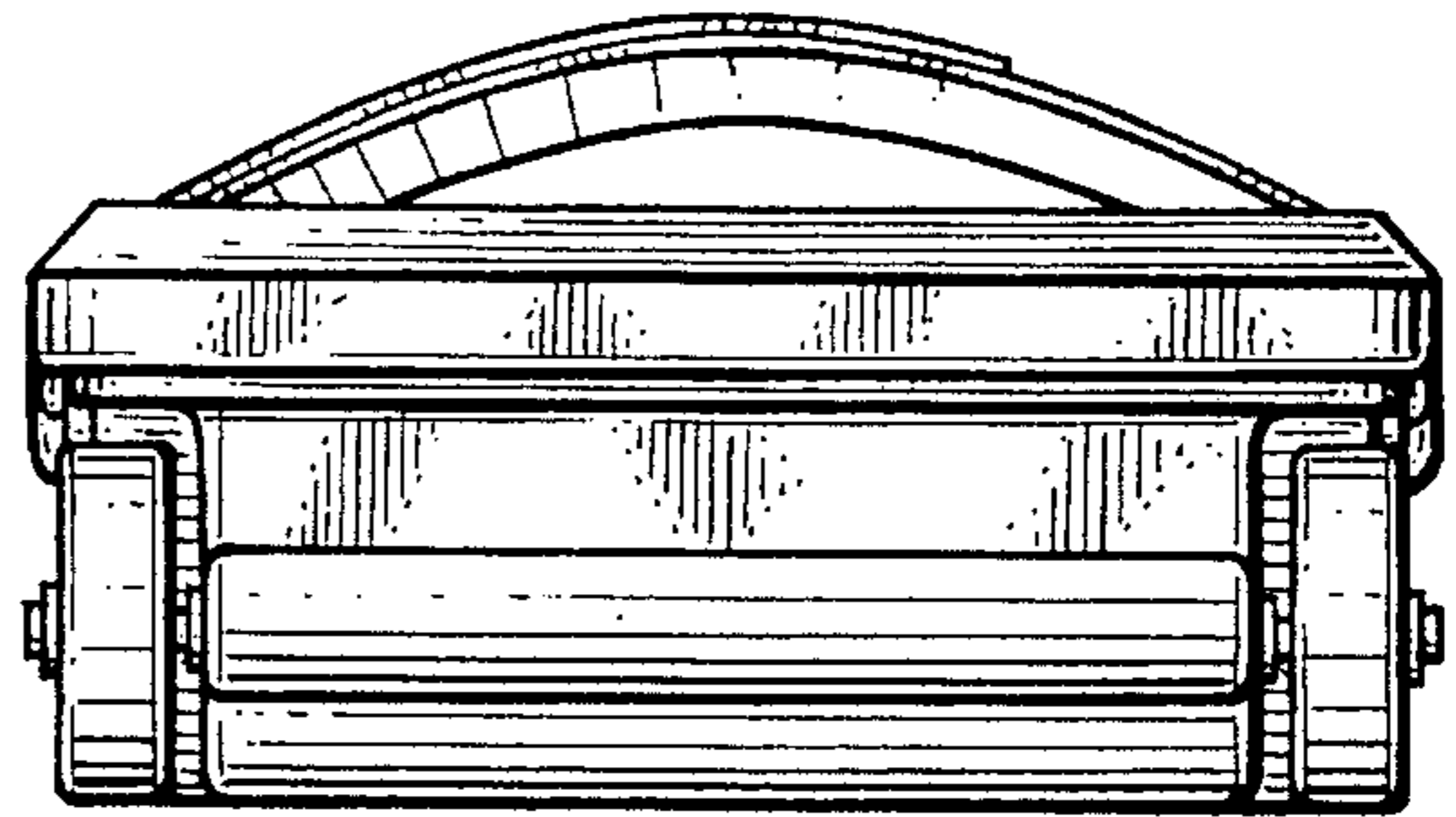
*Fig. 2*



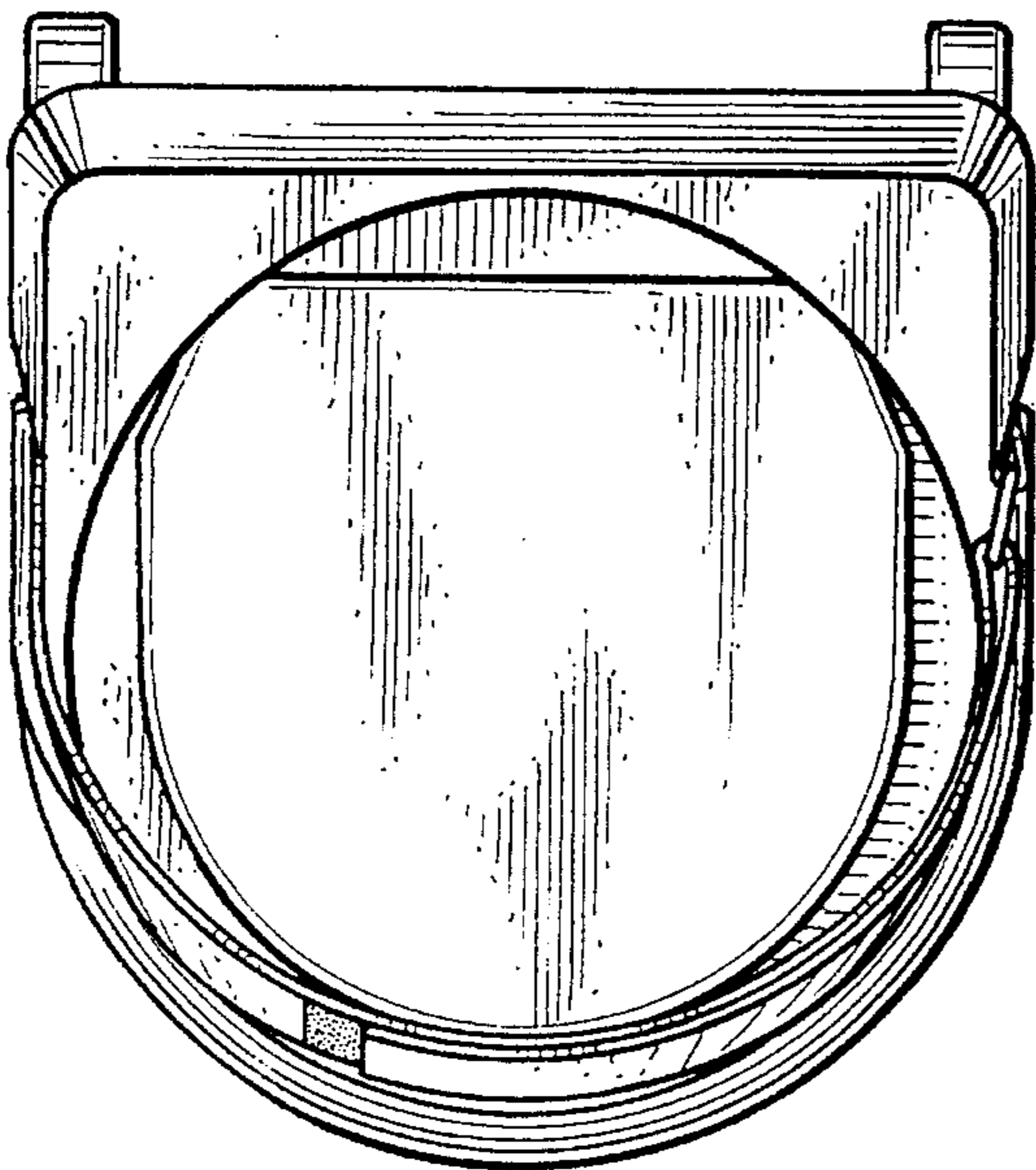
*Fig. 3.*



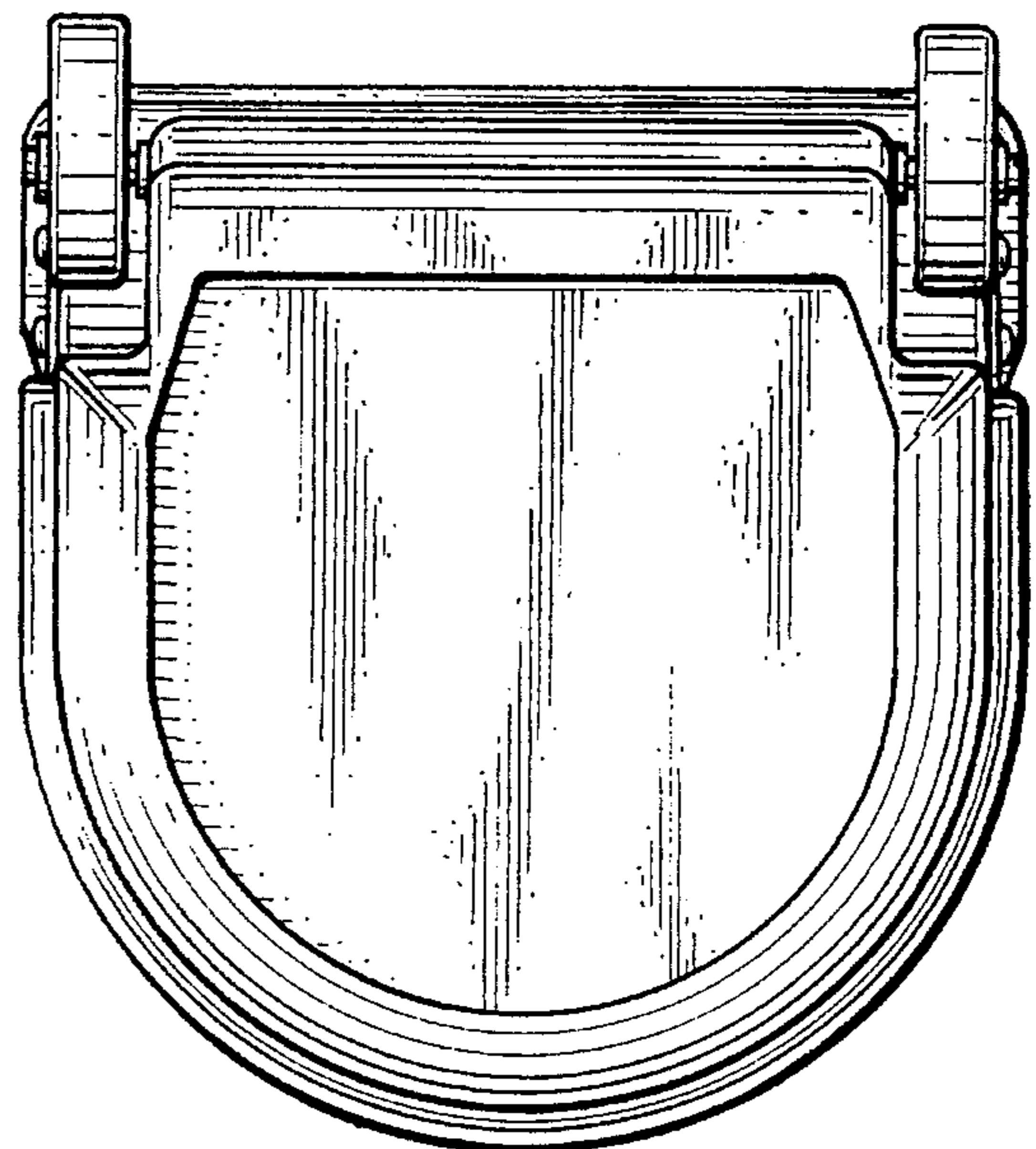
*Fig. 4.*



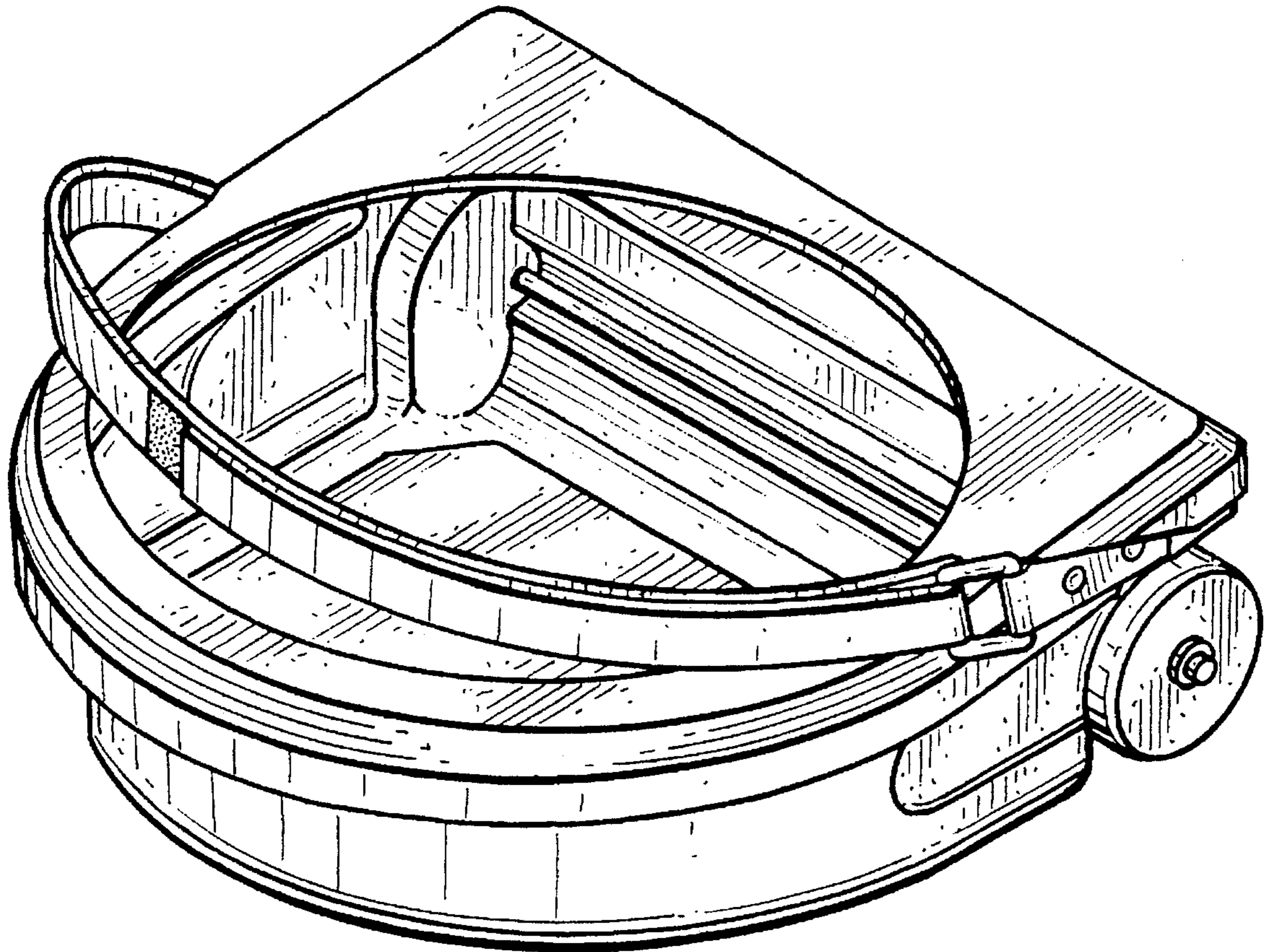
*Fig. 5.*



*Fig. 6.*



*Fig. 7.*



*Fig. 8.*