



US00D373665S

# United States Patent [19]

Nakamura et al.

[11] Patent Number: **Des. 373,665**

[45] Date of Patent: **\*\*Sep. 10, 1996**

[54] **VACUUM CLEANER**

D. 344,373 2/1994 Haverkamp ..... D32/21

[75] Inventors: **Masahiro Nakamura; Takeo Koike,**  
both of Osaka-fu, Japan

*Primary Examiner*—Ruth McInroy  
*Attorney, Agent, or Firm*—Nixon & Vanderhye

[73] Assignee: **Sharp Kabushiki Kaisha,** Osaka, Japan

[57] **CLAIM**

[\*\*] Term: **14 Years**

The ornamental design for a vacuum cleaner, as shown and described.

[21] Appl. No.: **36,951**

**DESCRIPTION**

[22] Filed: **Mar. 31, 1995**

[30] **Foreign Application Priority Data**

Oct. 5, 1994 [JP] Japan ..... 6-30398  
Oct. 5, 1994 [JP] Japan ..... 6-30402

[52] **U.S. Cl.** ..... **D32/21**

[58] **Field of Search** ..... D32/1, 21, 23,  
D32/24; 15/327.1, 327.2, 327.4, 320, 321,  
323, 352, 353, 347

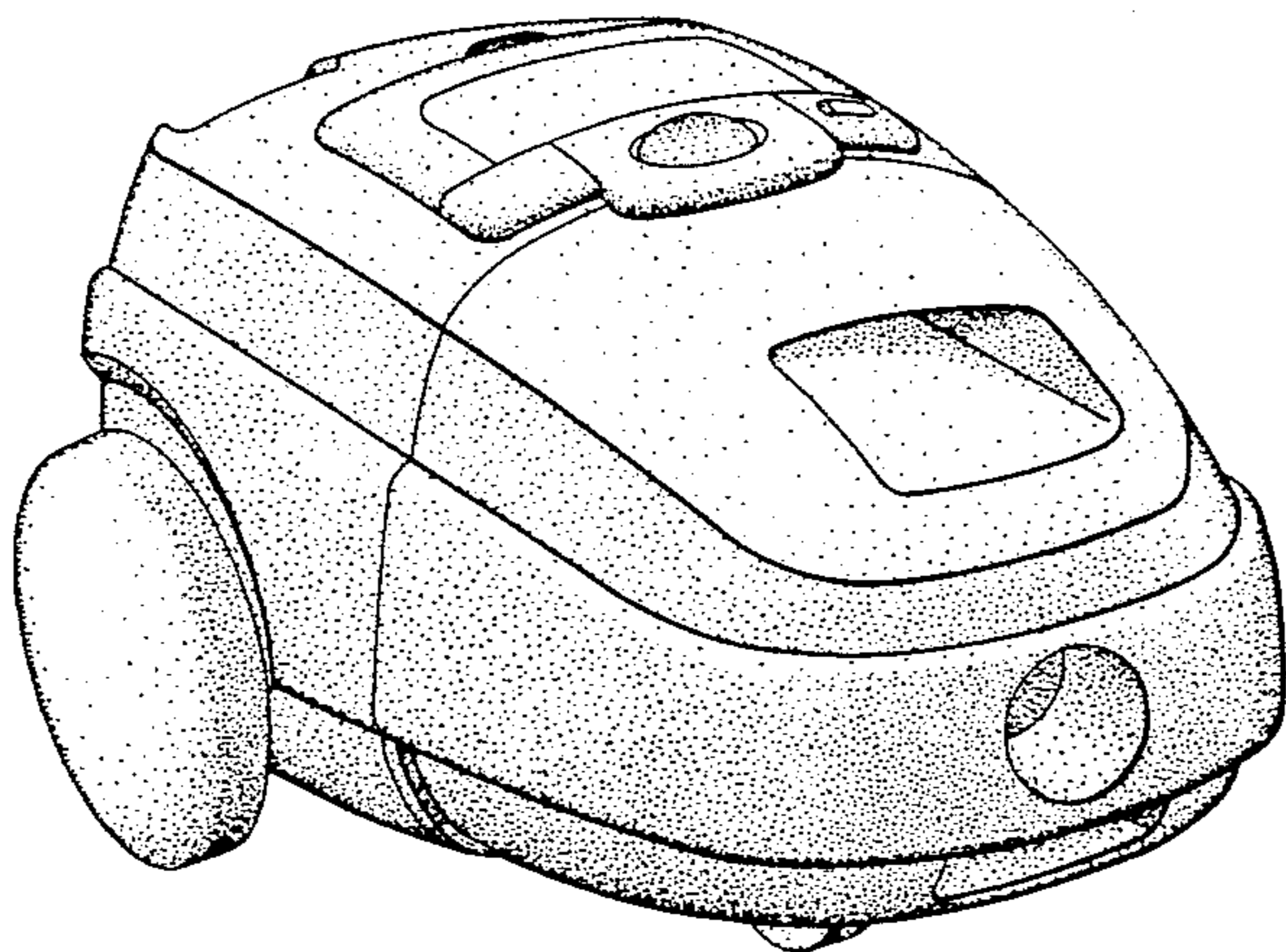
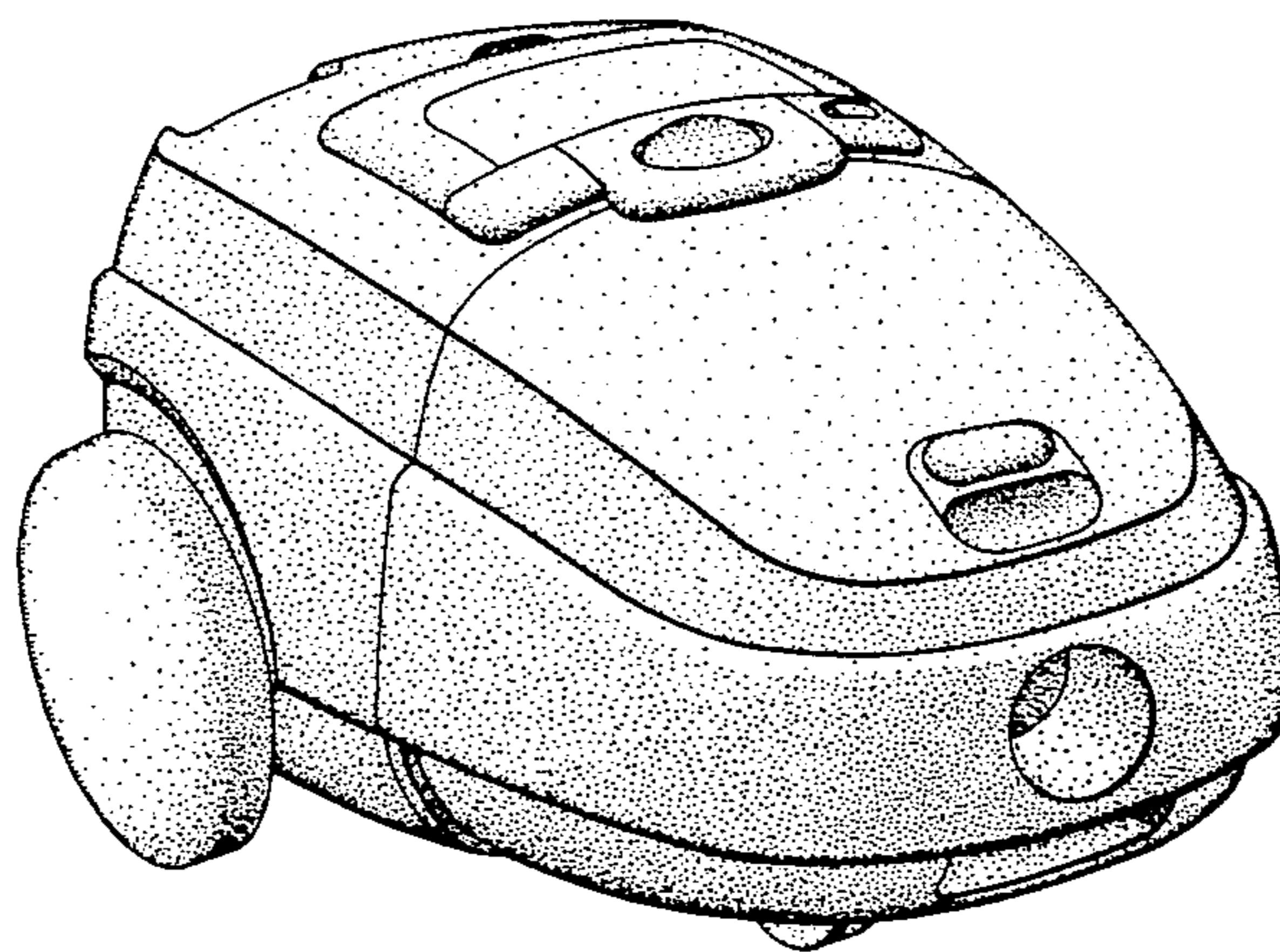
FIG. 1 is a top, front and left side perspective view of a vacuum cleaner showing our new design;  
FIG. 2 is a top, rear and left side perspective view thereof;  
FIG. 3 is a top plan view thereof;  
FIG. 4 is a front elevational view thereof;  
FIG. 5 is a right side elevational view thereof;  
FIG. 6 is a rear elevational view thereof;  
FIG. 7 is a left side elevational view thereof;  
FIG. 8 is a bottom plan view thereof;  
FIG. 9 is a perspective view of a second embodiment thereof;  
FIG. 10 is a top plan view thereof;  
FIG. 11 is a front elevational view thereof;  
FIG. 12 is a right side elevational view thereof; and,  
FIG. 13 is a left side elevational view thereof.  
The bottom plan view and the rear elevational view of the embodiments illustrated in FIGS. 1 and 9 are identical to one another, respectively.

[56] **References Cited**

**U.S. PATENT DOCUMENTS**

D. 290,896 7/1987 Kim ..... D32/21  
D. 297,675 9/1988 Umehara et al. .... D32/21  
D. 311,613 10/1990 Kuriya ..... D32/21  
D. 315,041 2/1991 Bradd ..... D32/21  
D. 325,274 4/1992 Ikeda ..... D32/21  
D. 338,293 8/1993 Kojima et al. .... D32/21  
D. 344,164 2/1994 Kuriya ..... D32/21  
D. 344,165 2/1994 Kuriya ..... D32/21

**1 Claim, 8 Drawing Sheets**





**FIG. 1**

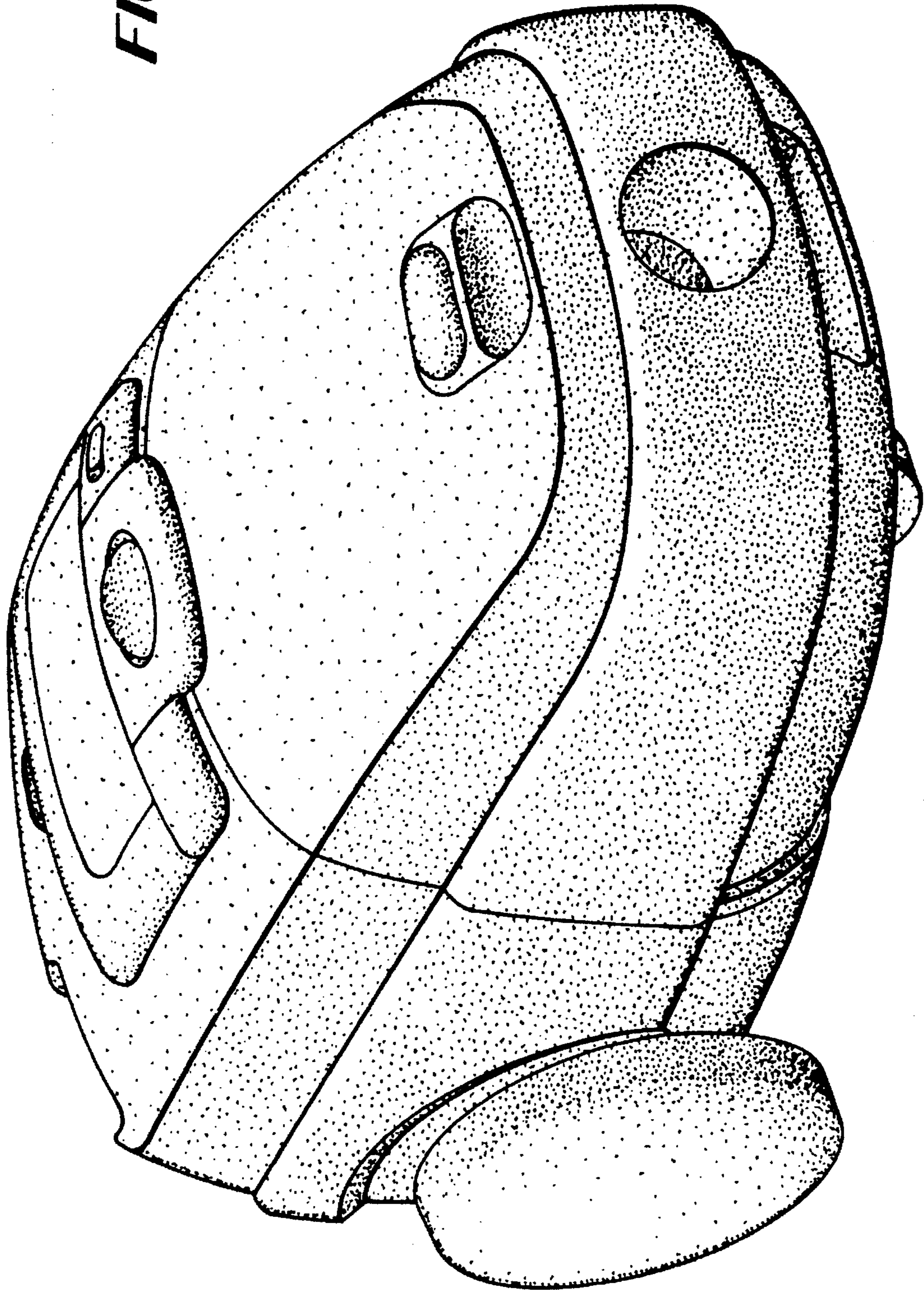
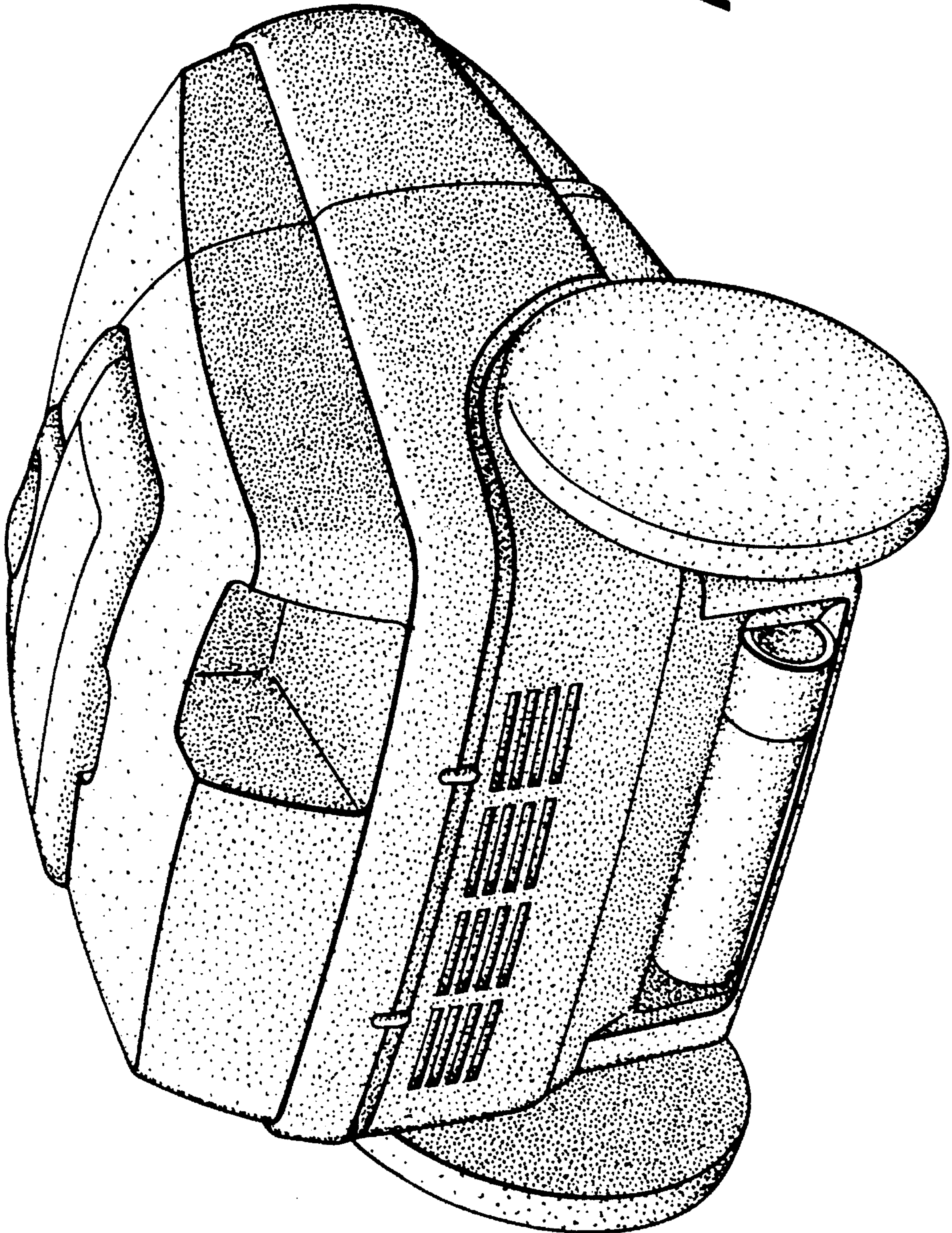


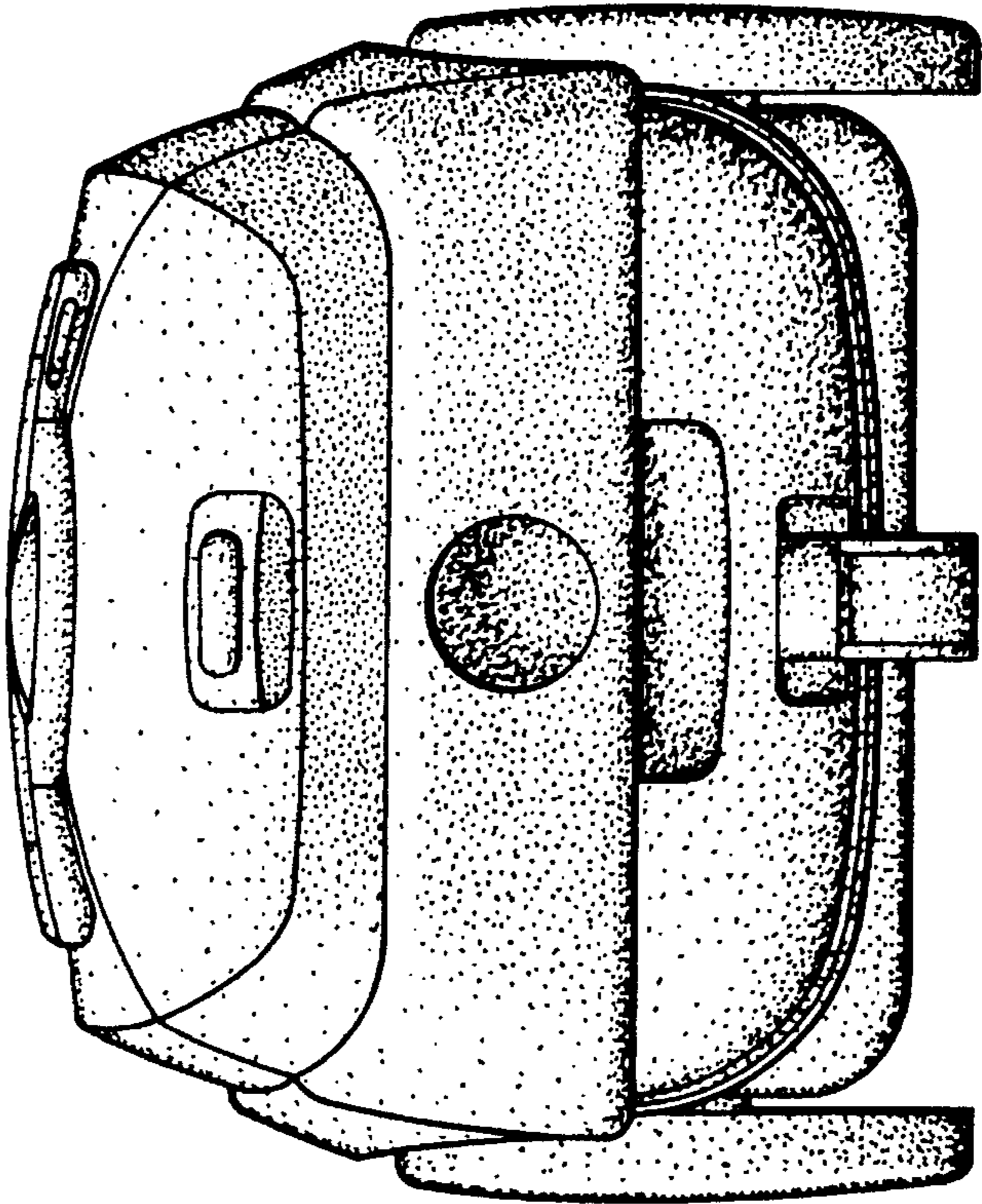


FIG. 2

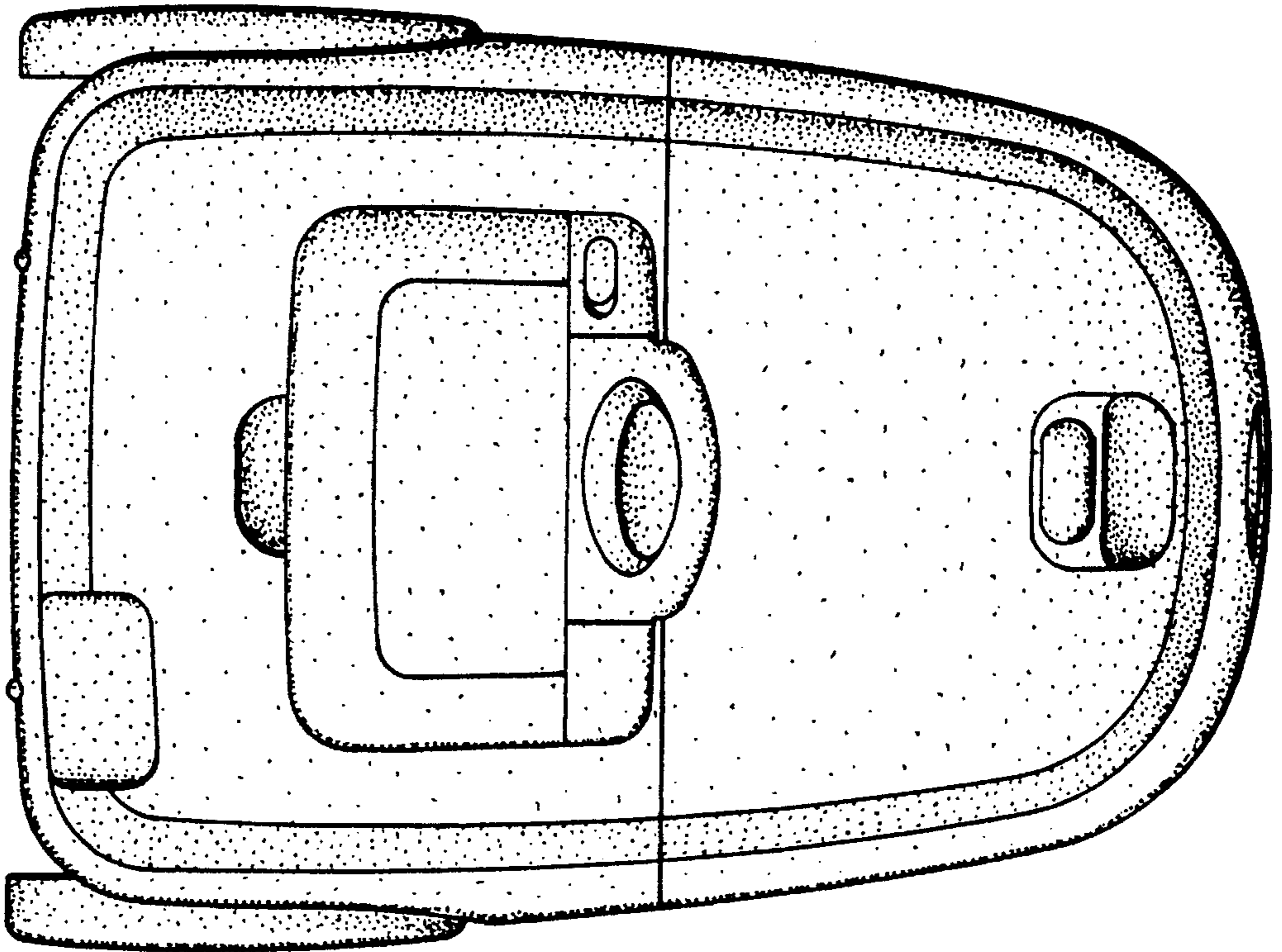




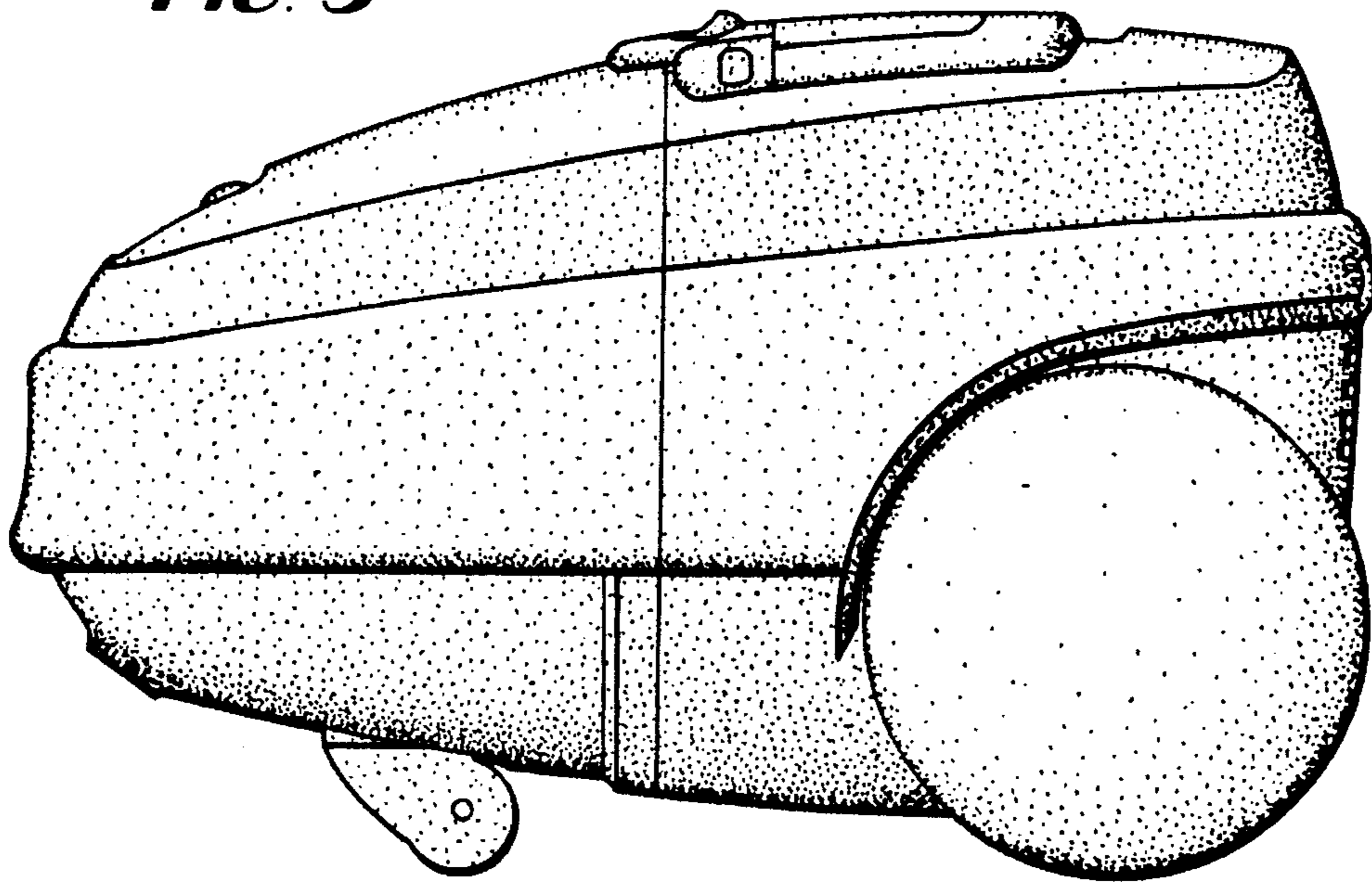
*FIG. 4*



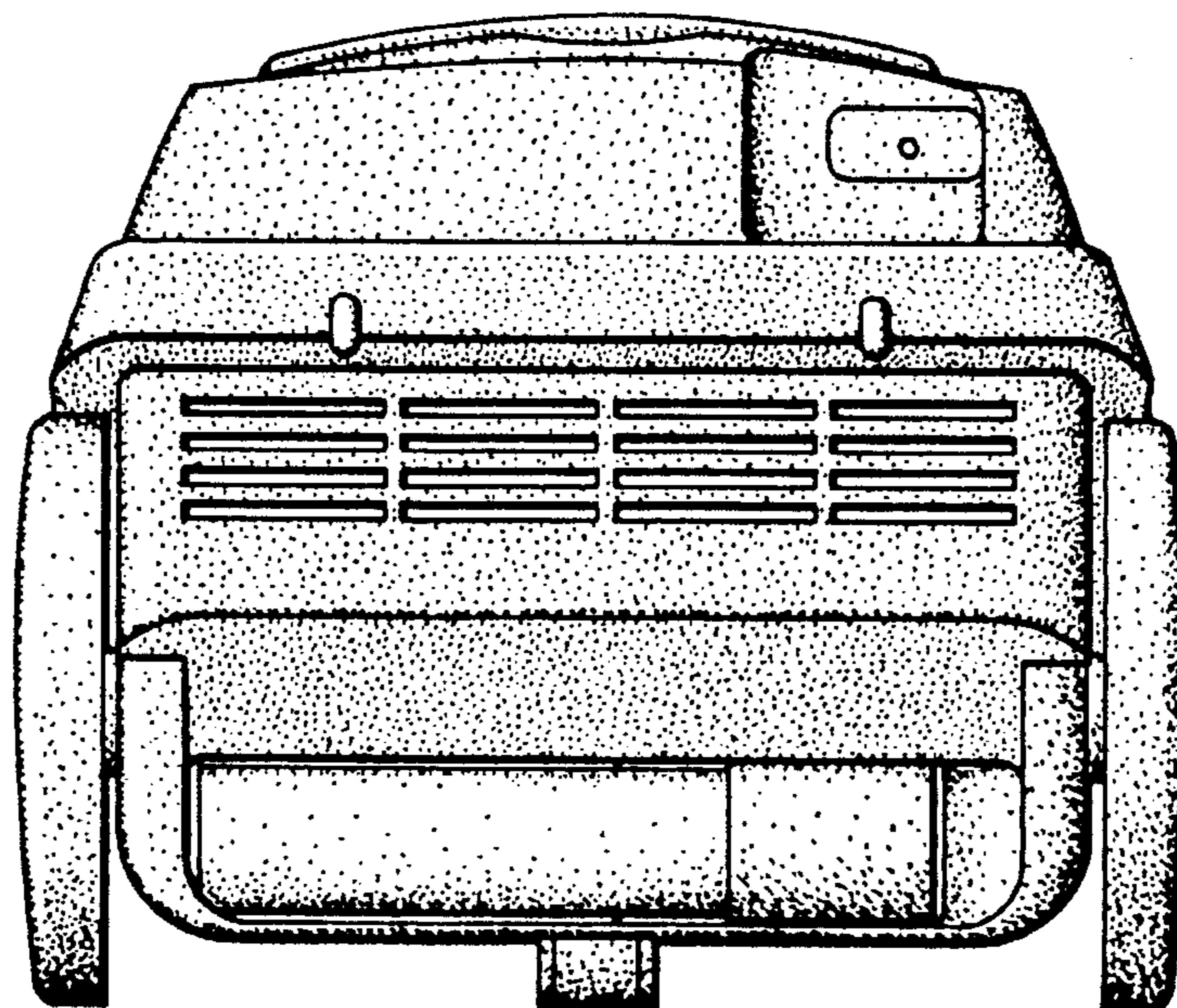
*FIG. 3*



**FIG. 5**

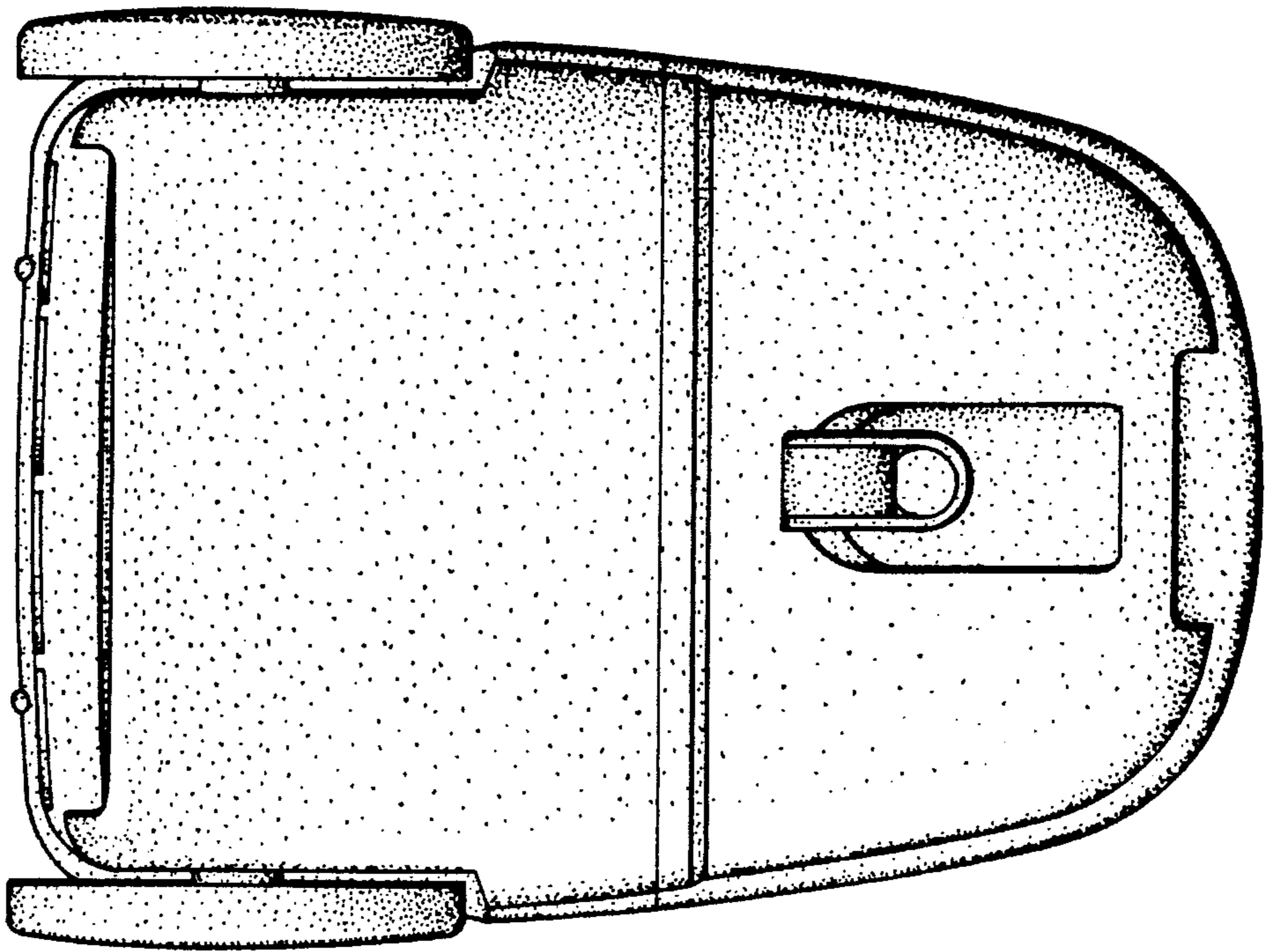


**FIG. 6**

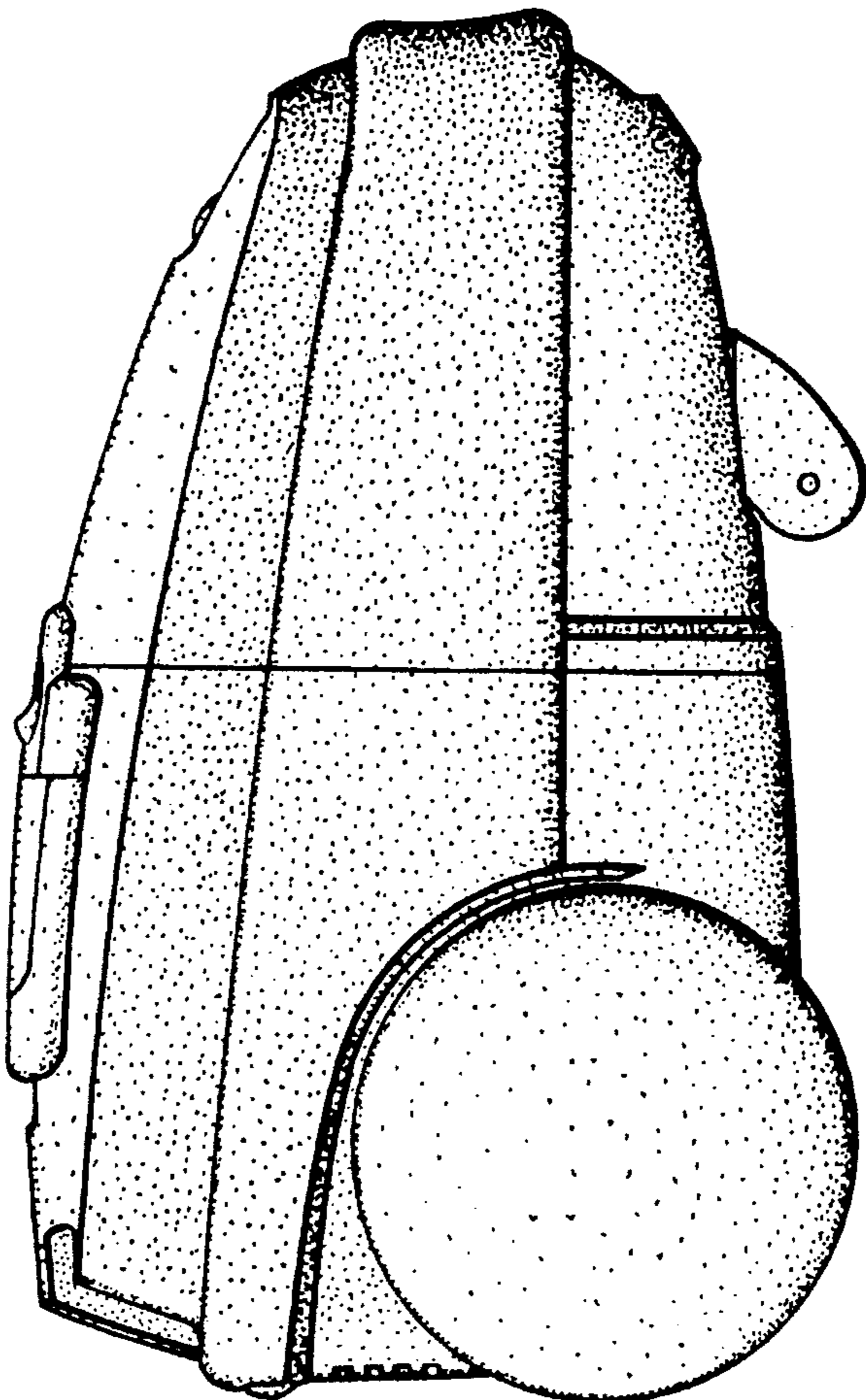




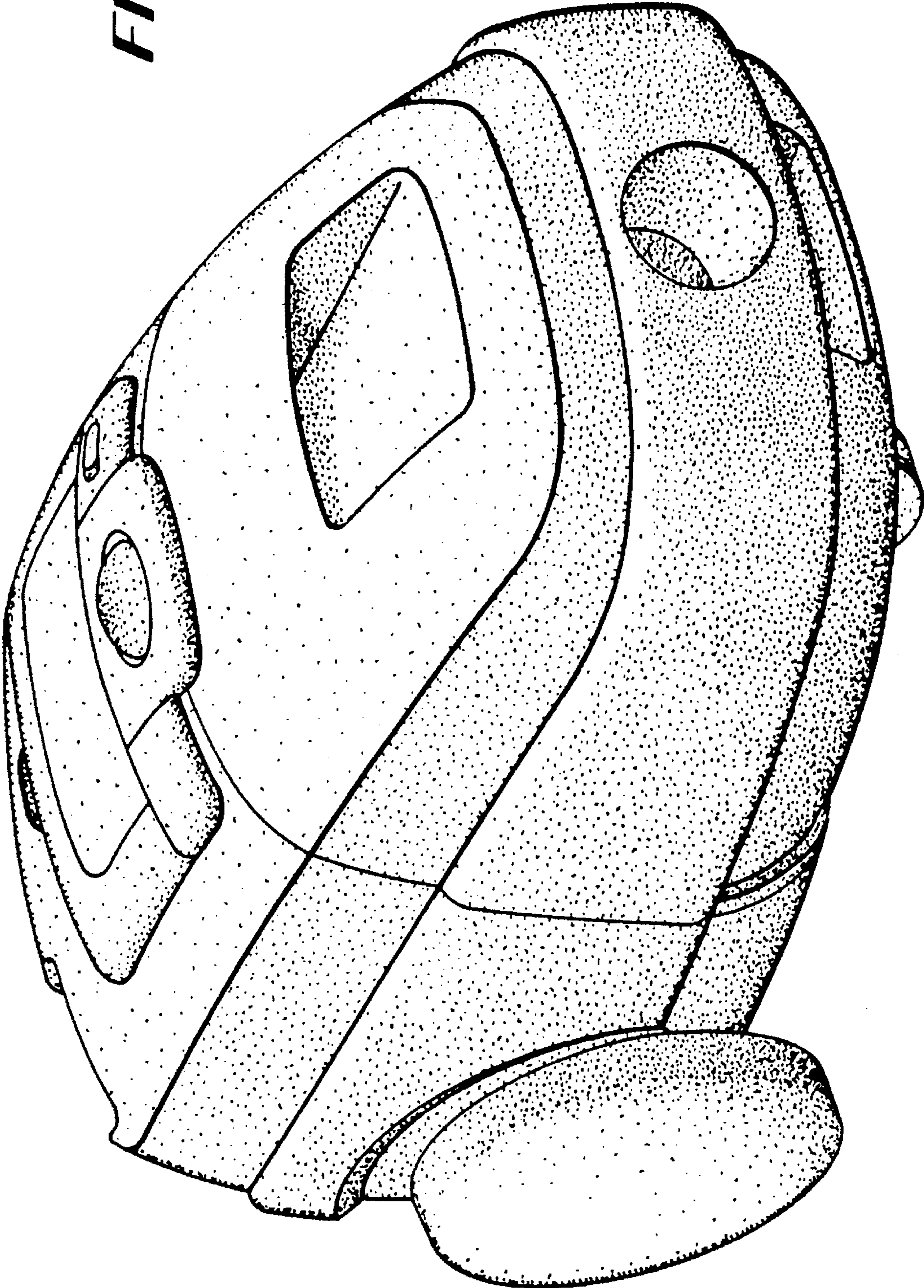
*FIG. 8*



*FIG. 7*

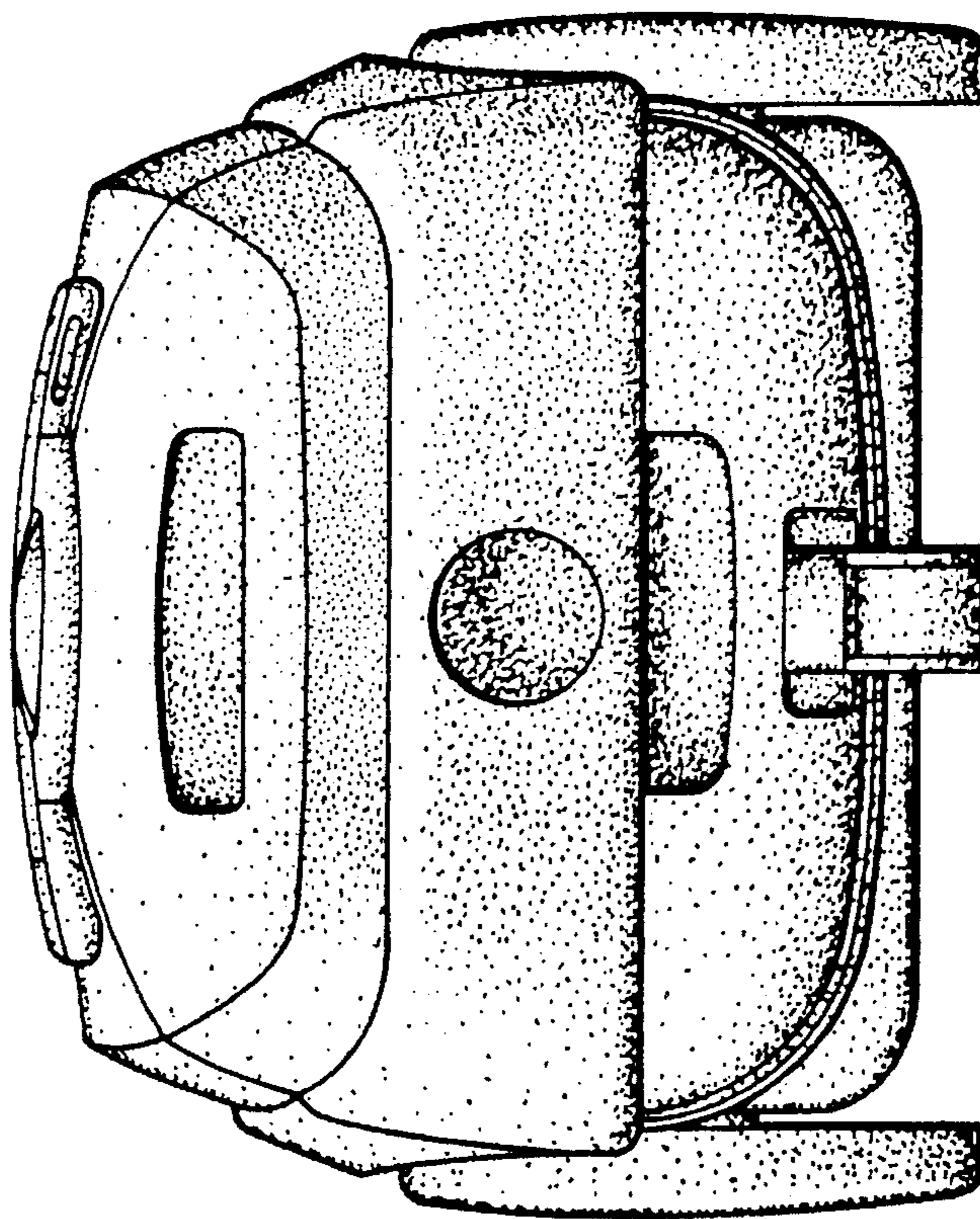


**FIG. 9**

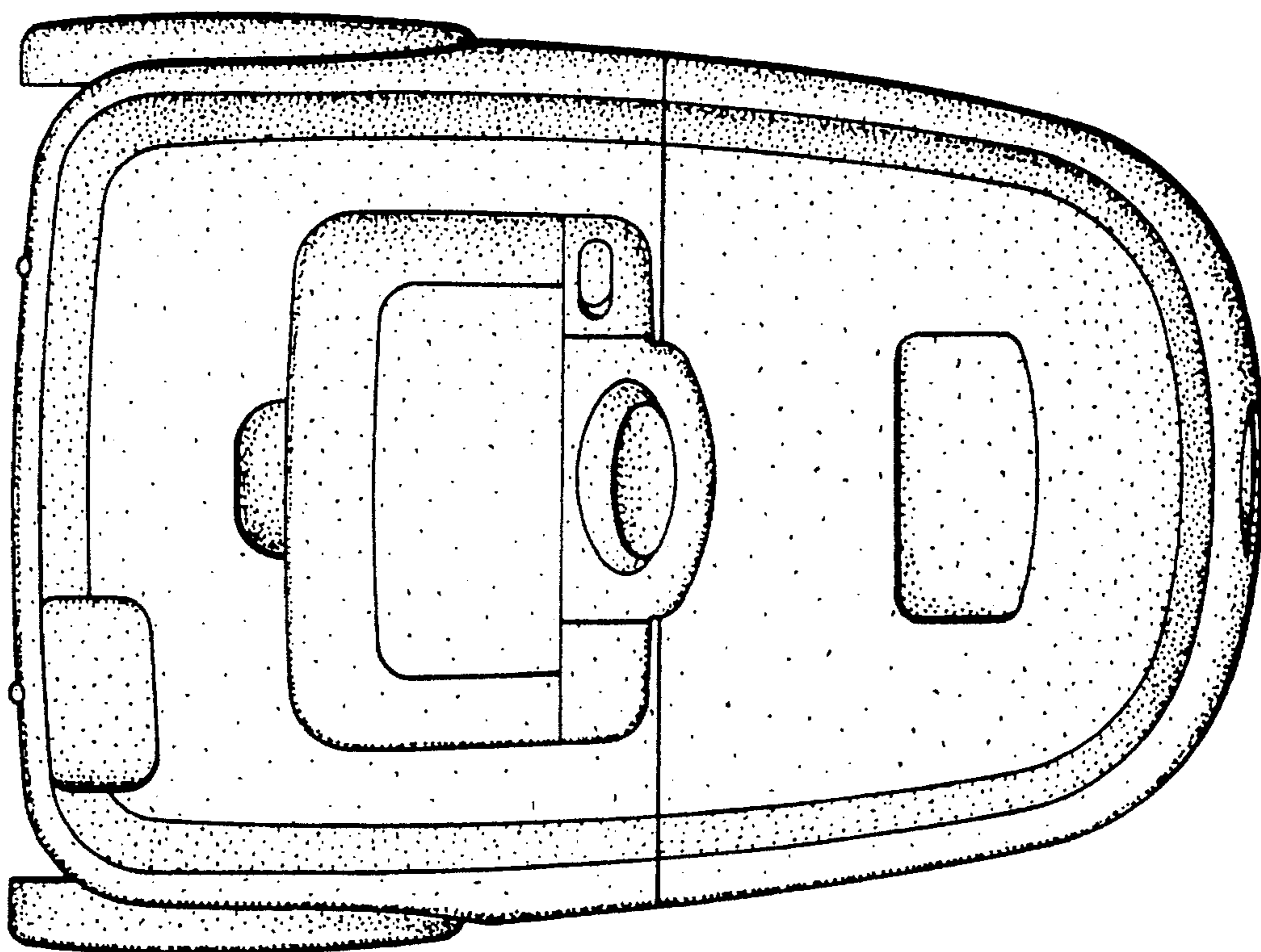




*FIG. 11*

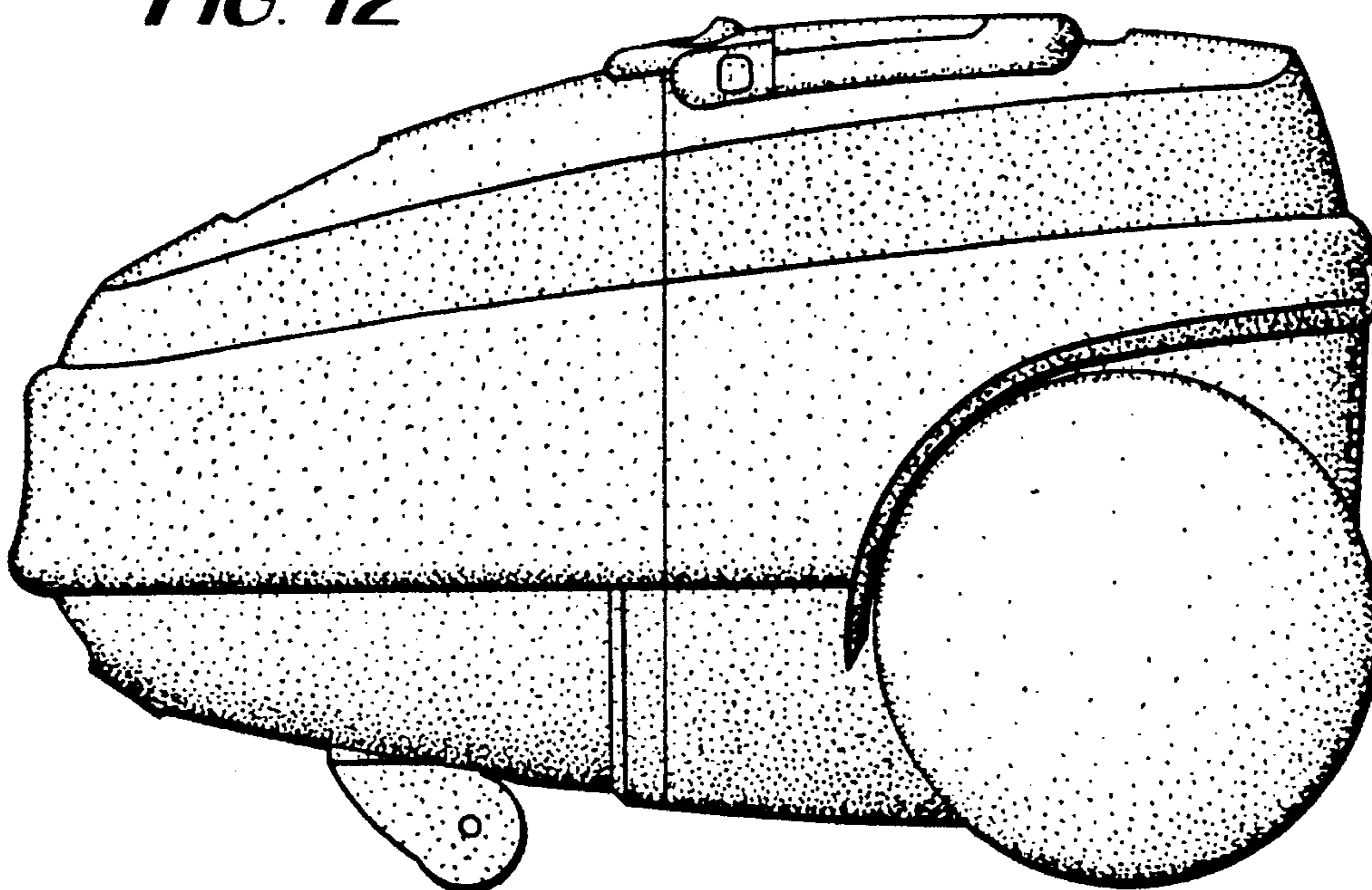


*FIG. 10*





**FIG. 12**



**FIG. 13**

