



US00D373664S

United States Patent [19] Jackson

[11] **Patent Number:** **Des. 373,664**
[45] **Date of Patent:** ****Sep. 10, 1996**

[54] **CLOTHES WASHER COVER**

[76] Inventor: **Kenneth A. Jackson**, 312 Ripplewood Dr., Mesquite, Tex. 75150

[**] Term: **14 Years**

[21] Appl. No.: **36,268**

[22] Filed: **Mar. 16, 1995**

[52] U.S. Cl. **D32/25; D6/610**

[58] Field of Search **D32/25, 1, 6; D6/617, D6/618; 108/90; 68/196**

[56] **References Cited**

U.S. PATENT DOCUMENTS

D. 119,513	3/1940	Wolff	D32/25
D. 240,882	8/1976	Knight	D6/610
D. 313,143	12/1990	Handler et al.	D6/610
3,087,524	4/1963	Dolnick	D6/610
3,500,044	3/1970	Treadway	68/196

OTHER PUBLICATIONS

Lancburgh's Supplement to Sunday Star, Apr. 18, 1971, Item 2K—Sweater holder.

Primary Examiner—Ruth McInroy

Attorney, Agent, or Firm—H. Dennis Kelly; Timmons & Kelly

[57] **CLAIM**

The ornamental design for a clothes washer cover, as shown and described.

DESCRIPTION

FIG. 1 is a front elevational view of a clothes washer cover showing my new design, the cover being in a closed position;

FIG. 2 is a front elevational view thereof, the cover being in an open position;

FIG. 3 is a top plan view thereof;

FIG. 4 is a bottom plan view thereof;

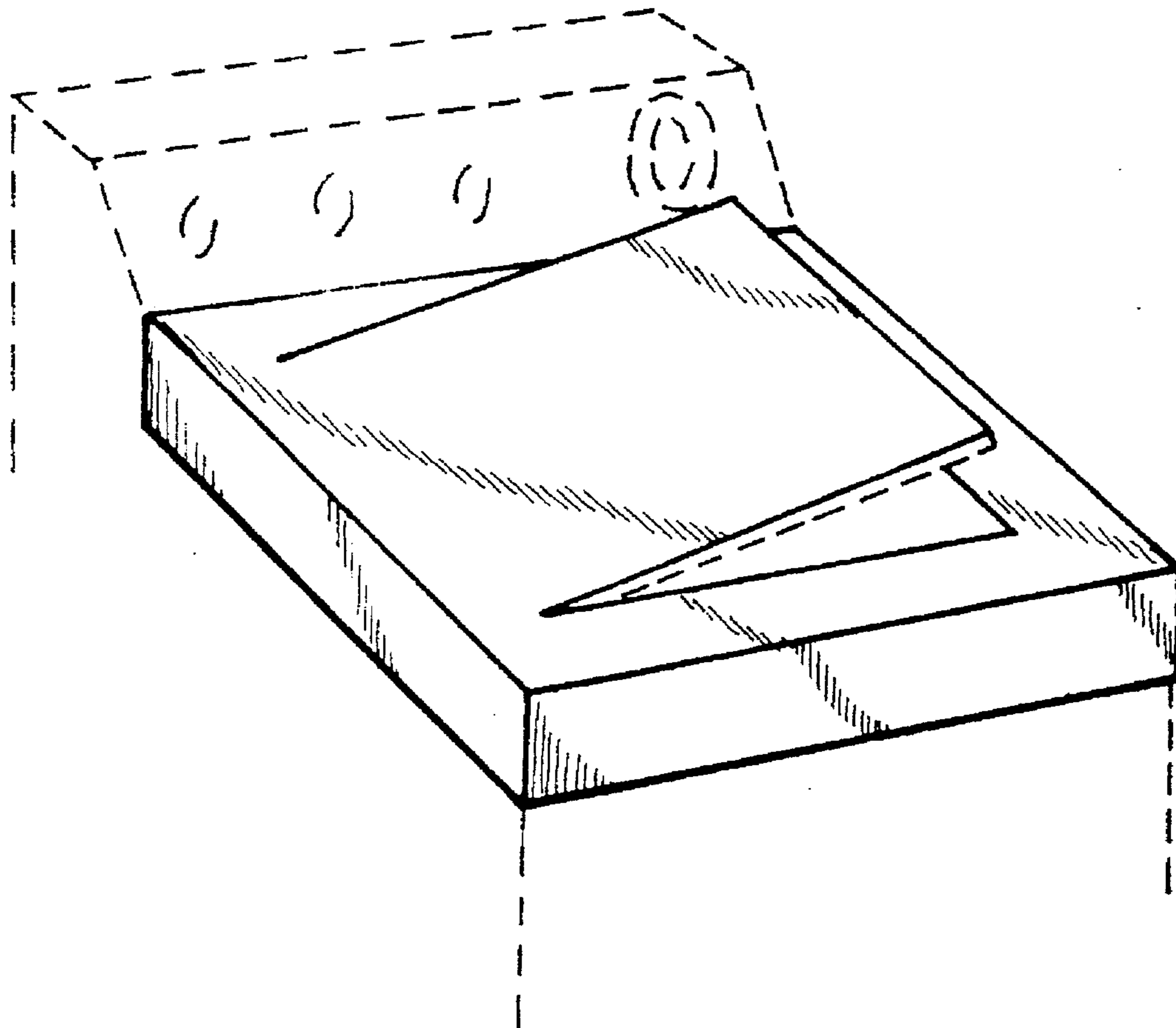
FIG. 5 is a rear elevation view thereof;

FIG. 6 is a front elevation view thereof; and,

FIG. 7 is a left side elevation view thereof, the right side elevation being a mirror image thereof.

The broken lines in the drawings are for environmental purposes only and form no part of the claimed design.

1 Claim, 2 Drawing Sheets



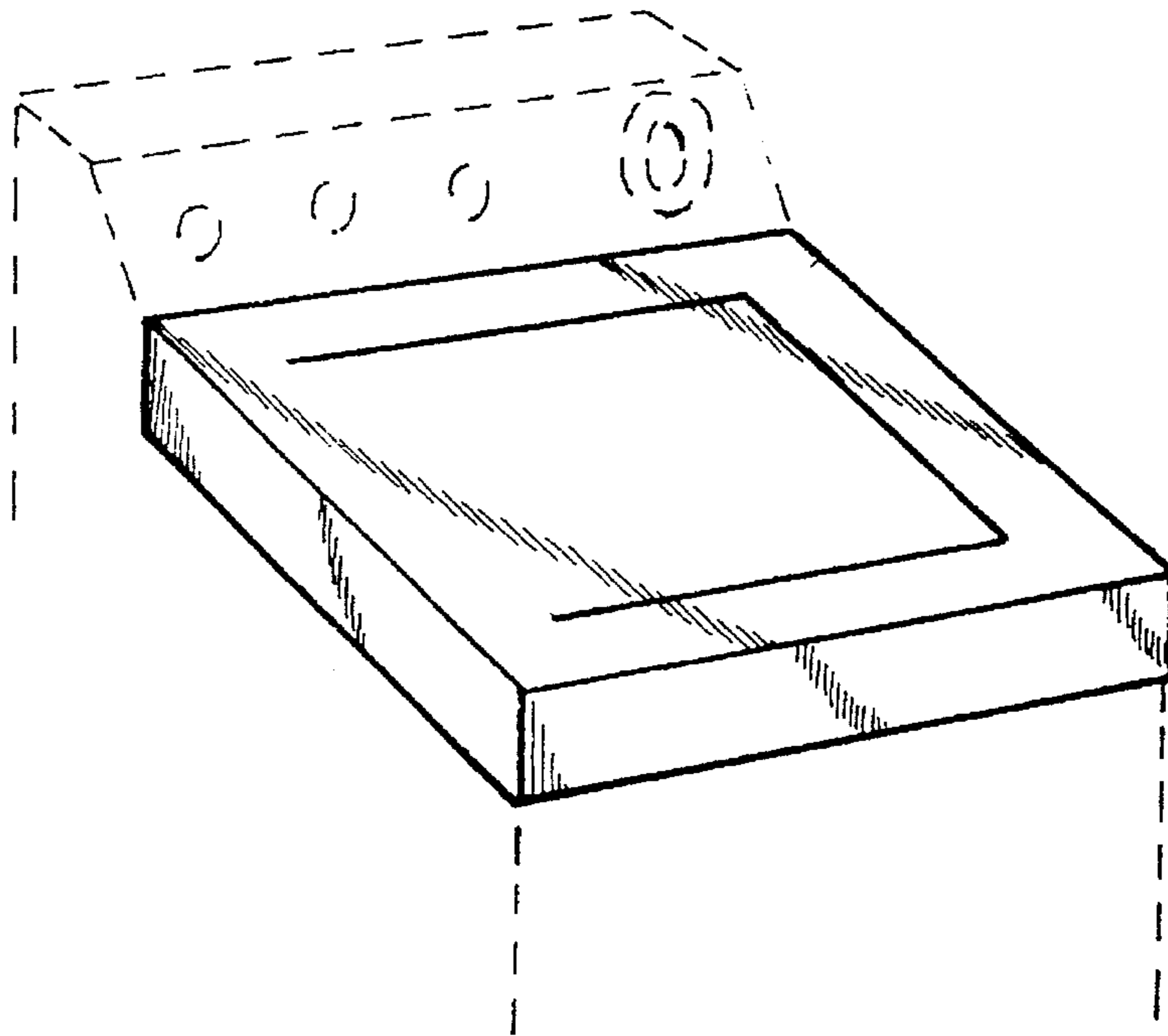


FIG. 1

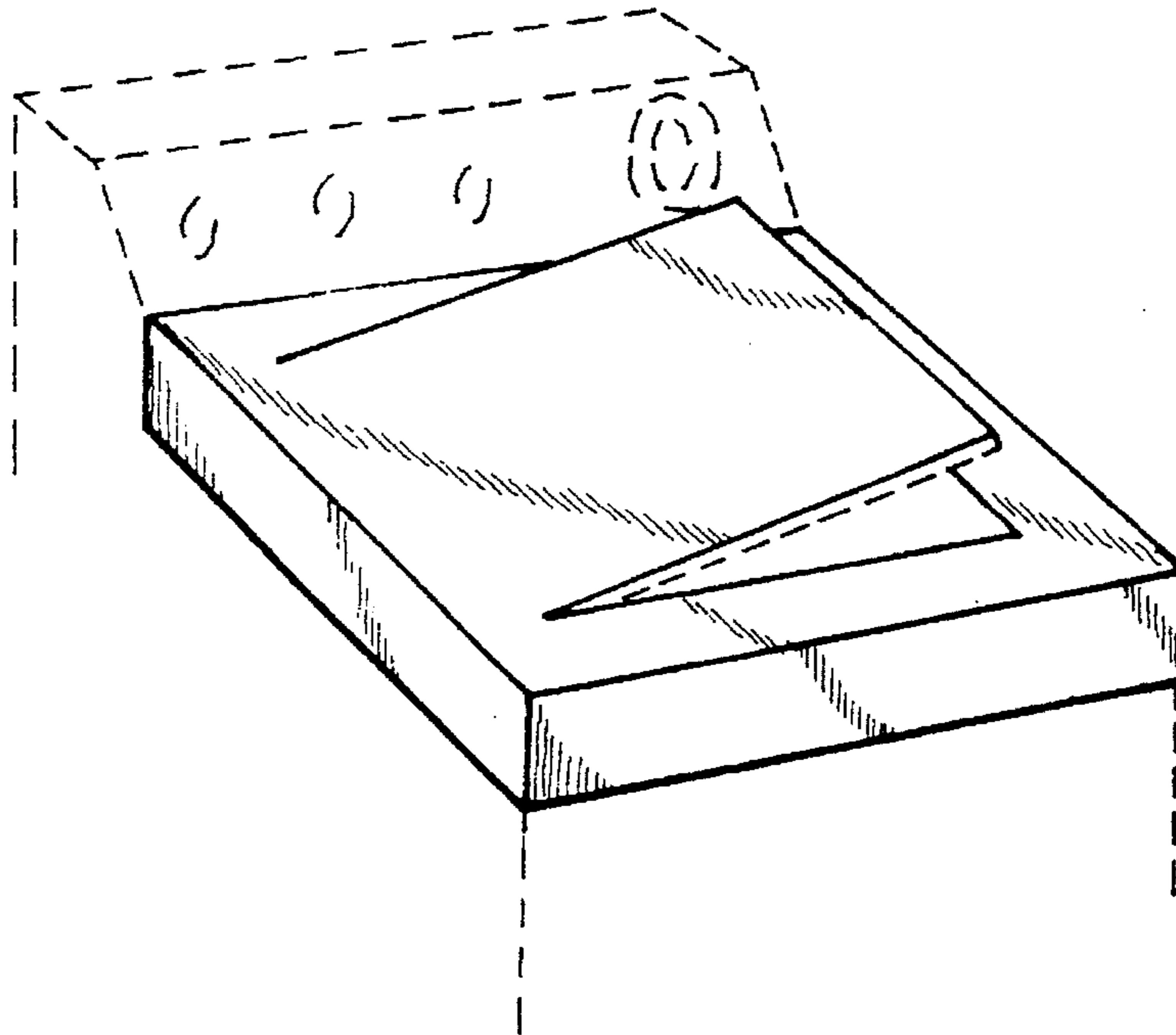


FIG. 2

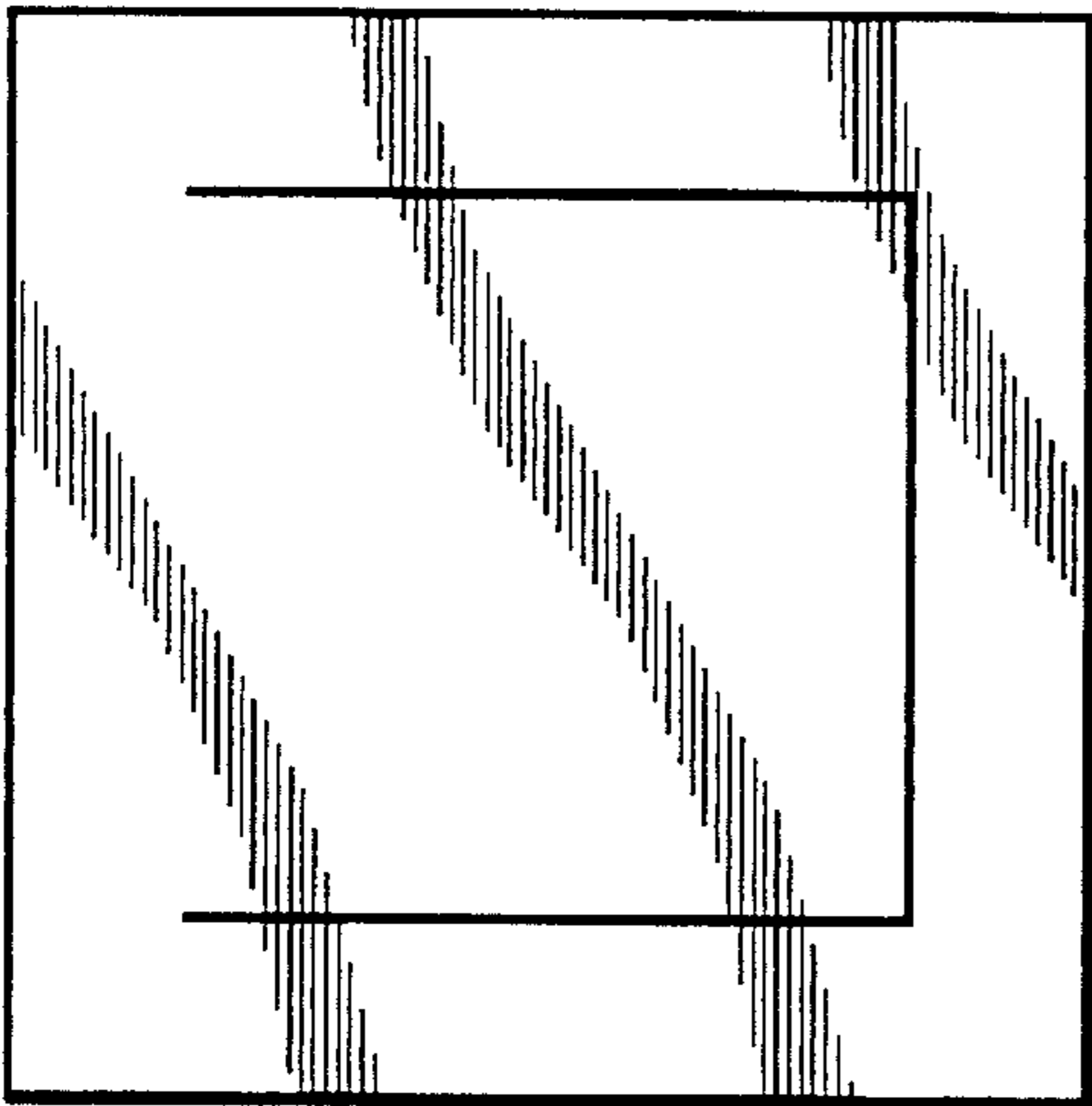


Fig.3

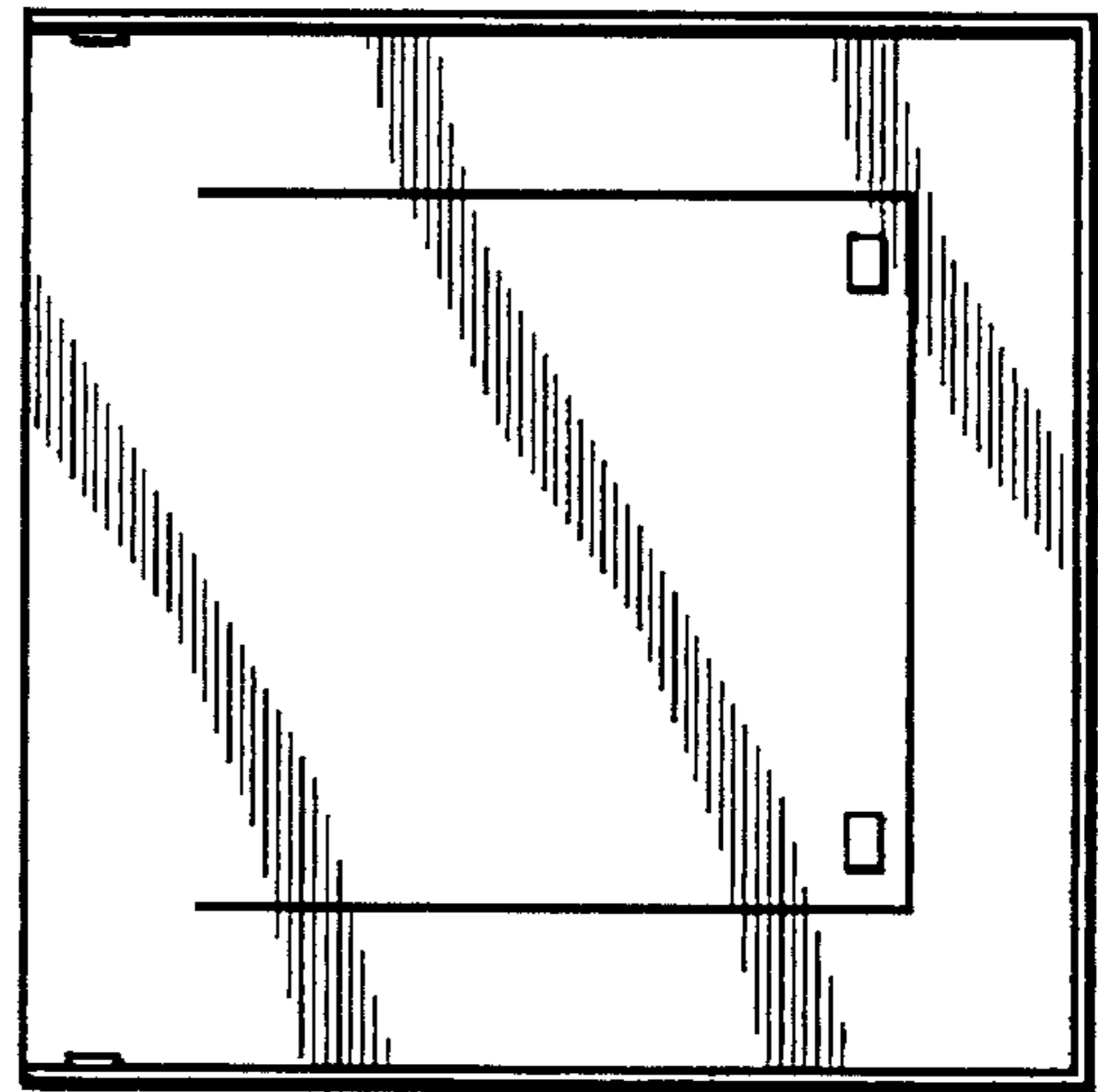


Fig.4

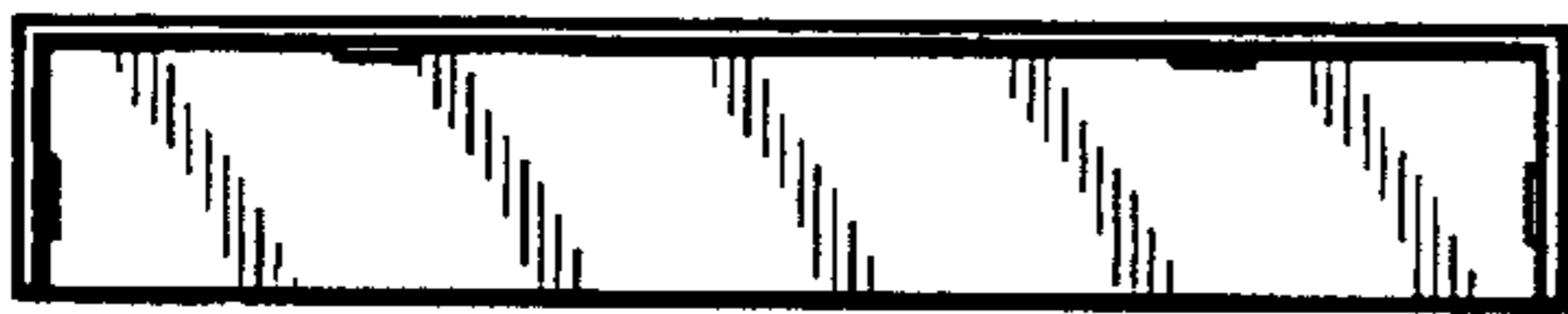


Fig.5

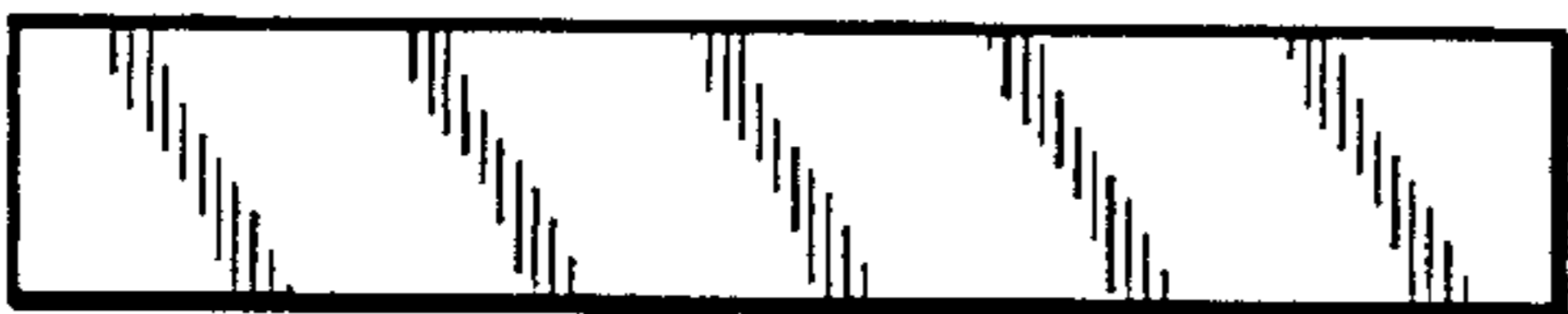


Fig.6

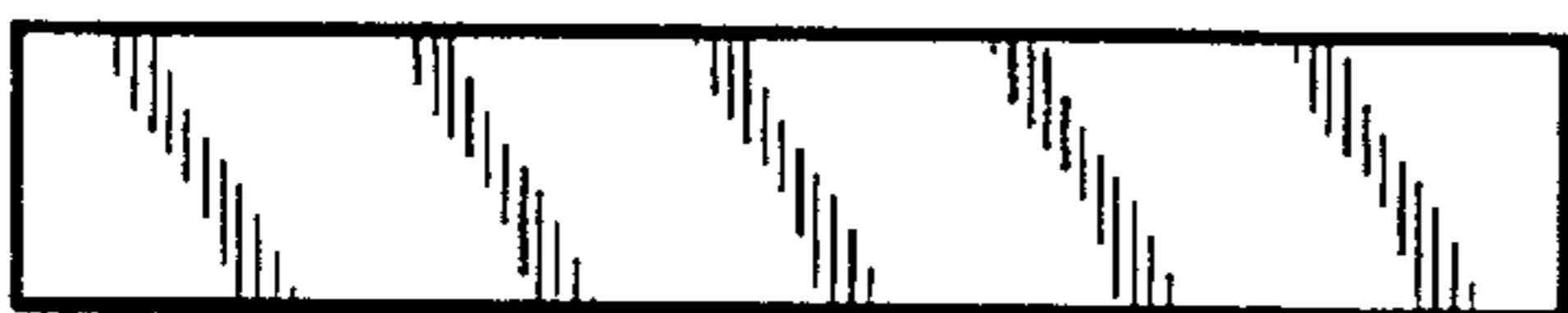


Fig.7