



US00D373660S

United States Patent [19]

[11] Patent Number: Des. 373,660

Gates

[45] Date of Patent: **Sep. 10, 1996

[54] COVER FOR A BIRD FEEDER

[75] Inventor: Christopher Gates, Manlius, N.Y.

[73] Assignee: Pratique, Inc., Chittenango, N.Y.

[**] Term: 14 Years

[21] Appl. No.: 23,240

[22] Filed: May 20, 1994

[52] U.S. Cl. D30/124

[58] Field of Search D30/110-111,
D30/124-128, 119, 132-133, 122; 119/23,
57.8, 57.9, 52.2-52.3, 51.04, 51.01, 77,
57.91, 63, 61, 51.12

[56] References Cited

U.S. PATENT DOCUMENTS

D. 219,149	11/1970	Dotson	D30/121
D. 265,938	8/1982	Kilham	D30/138
D. 322,869	12/1991	Schafer	D30/132
D. 354,404	1/1995	Tatum et al.	D30/121
3,303,600	2/1967	Freeman	119/63
4,395,974	8/1983	Schafer et al.	D30/131
4,649,865	3/1987	Riggi	119/57.9
4,744,332	5/1988	Ahrens	D30/122

FOREIGN PATENT DOCUMENTS

2146220 4/1985 United Kingdom 119/52.2

OTHER PUBLICATIONS

Fibernetics, Inc. Brochure; Mar. 1982; Hog Drinker.

Primary Examiner—Cathy Anne MacCormac

Attorney, Agent, or Firm—Meltzer, Lippe, Goldstein, et al.

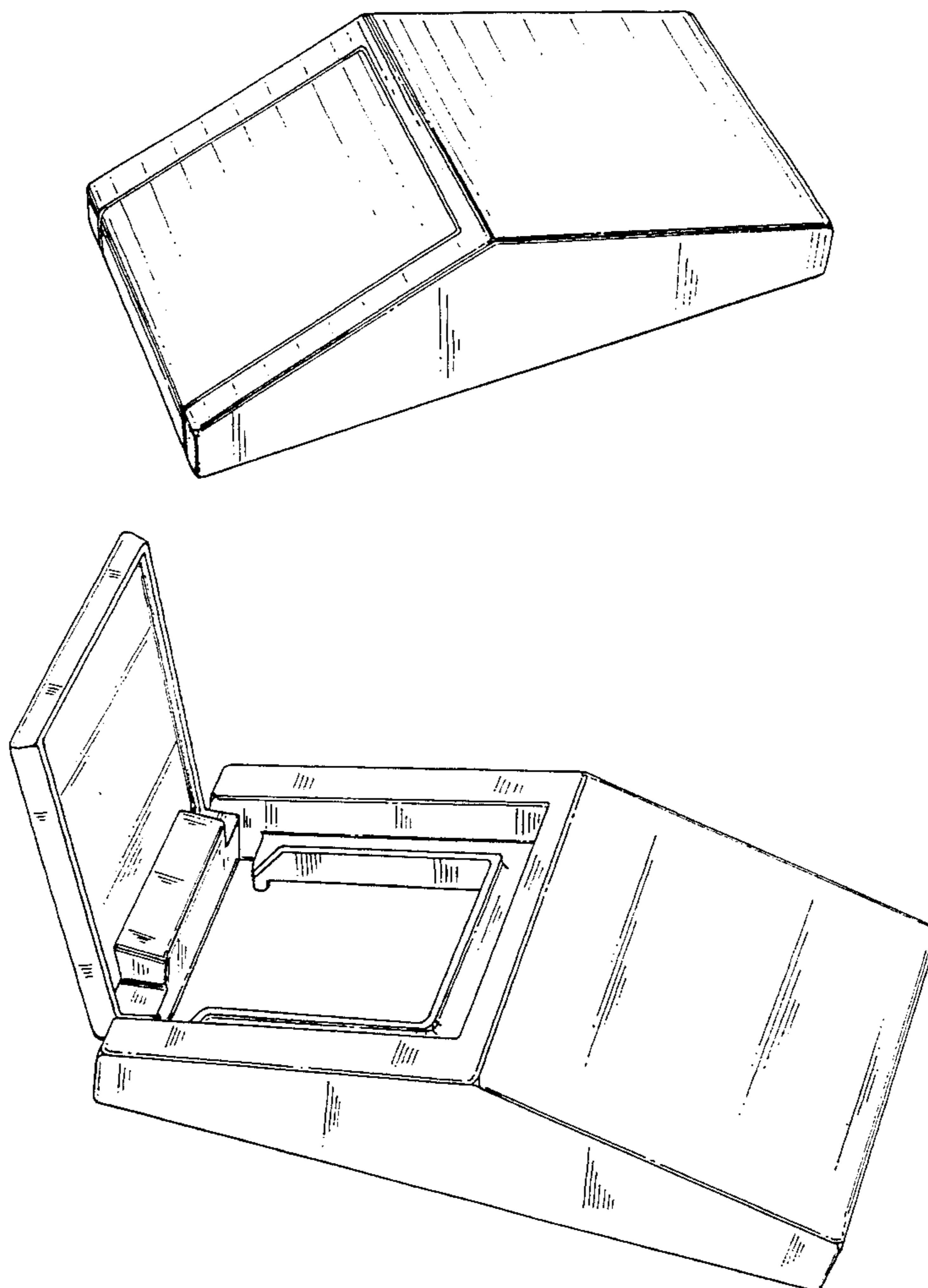
[57] CLAIM

The ornamental design for a cover for a bird feeder, as shown and described.

DESCRIPTION

FIG. 1 is a perspective view of the cover for a bird feeder; FIG. 2 is a rear elevation view thereof; FIG. 3 is a front elevation view thereof; FIG. 4 is a side elevation view thereof; FIG. 5 is a top plan view thereof; FIG. 6 is a bottom plan view thereof; FIG. 7 is perspective view thereof in the open position; and, FIG. 8 is a partial cross sectional view taken along line 8—8 of FIG. 5.

1 Claim, 4 Drawing Sheets



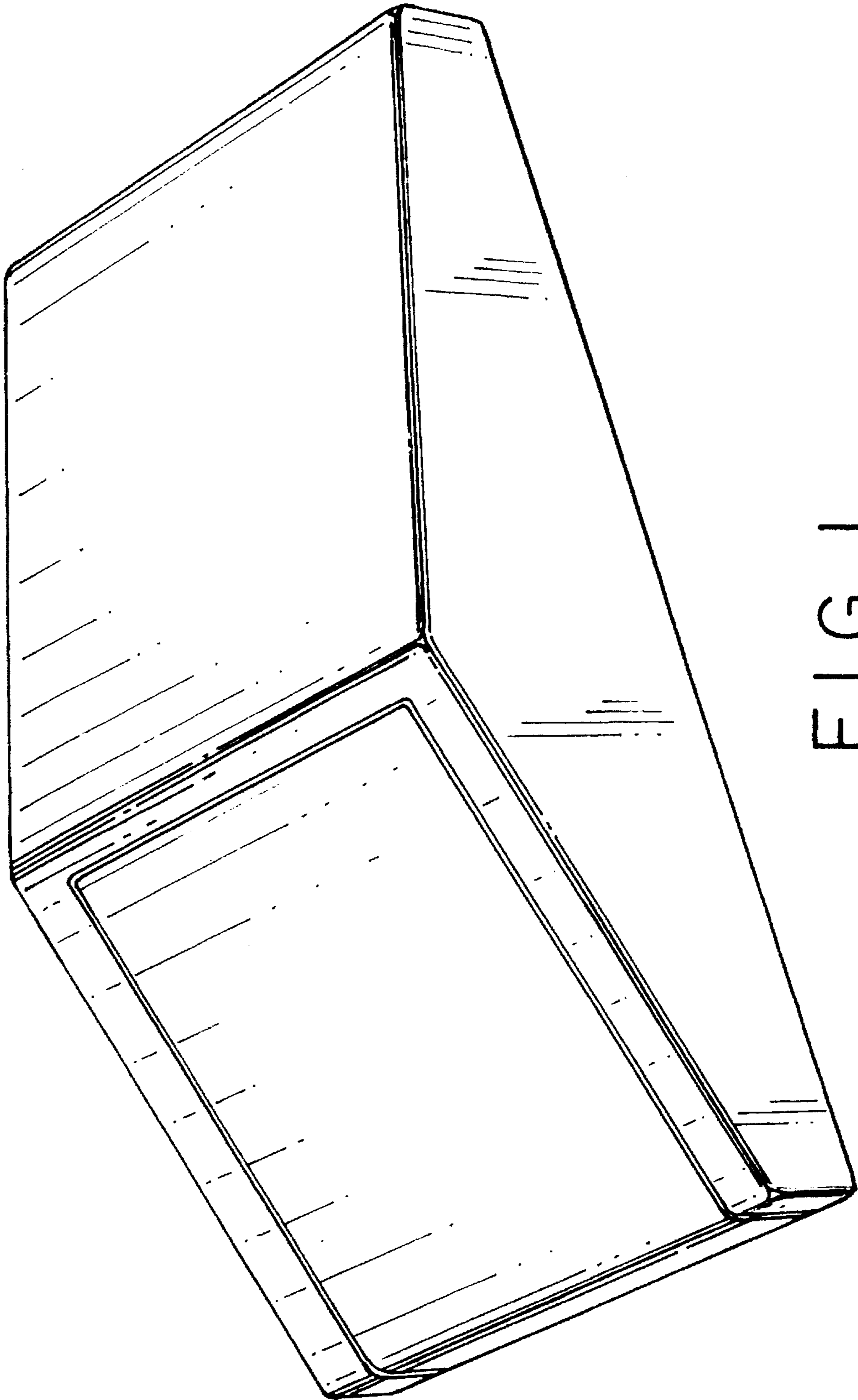


FIG. 1

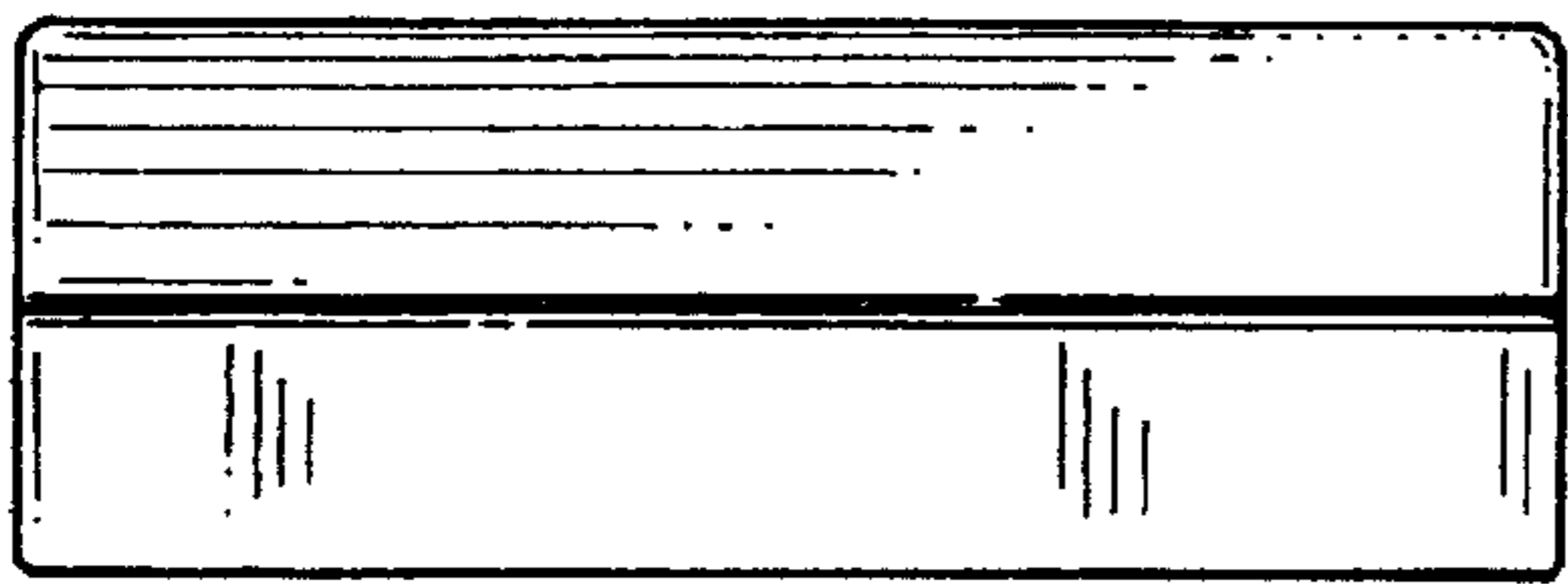


FIG. 2

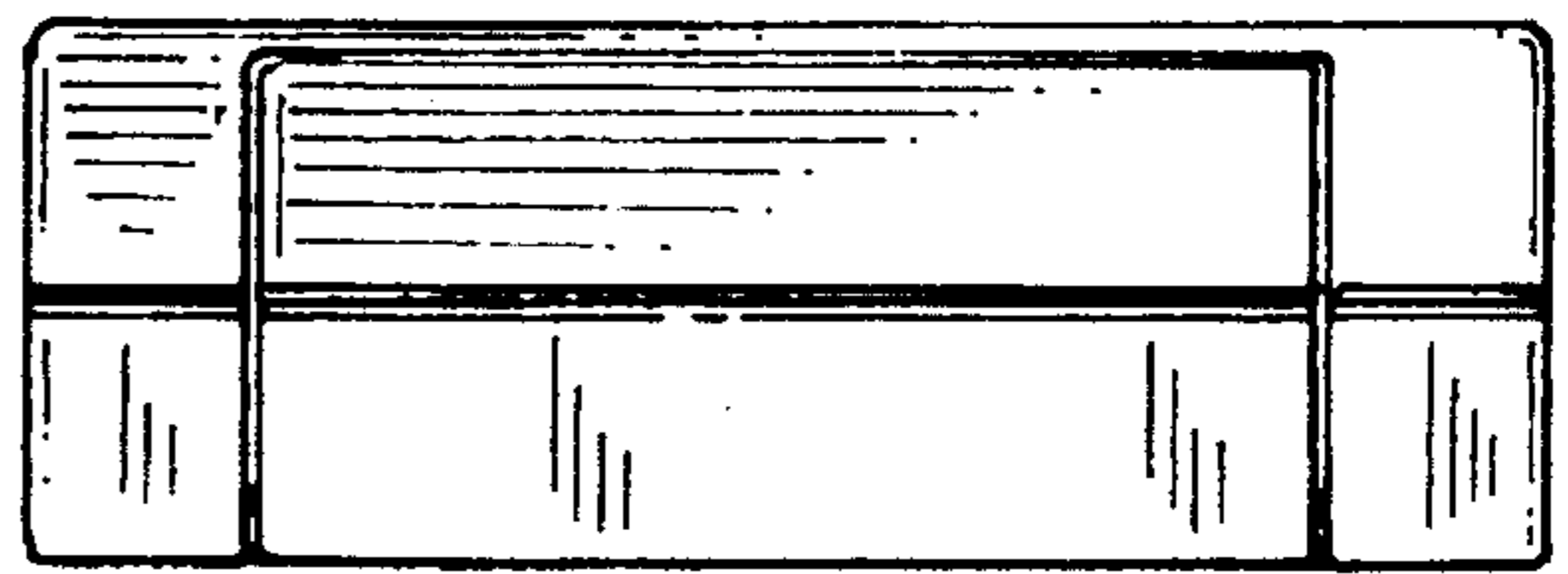


FIG. 3

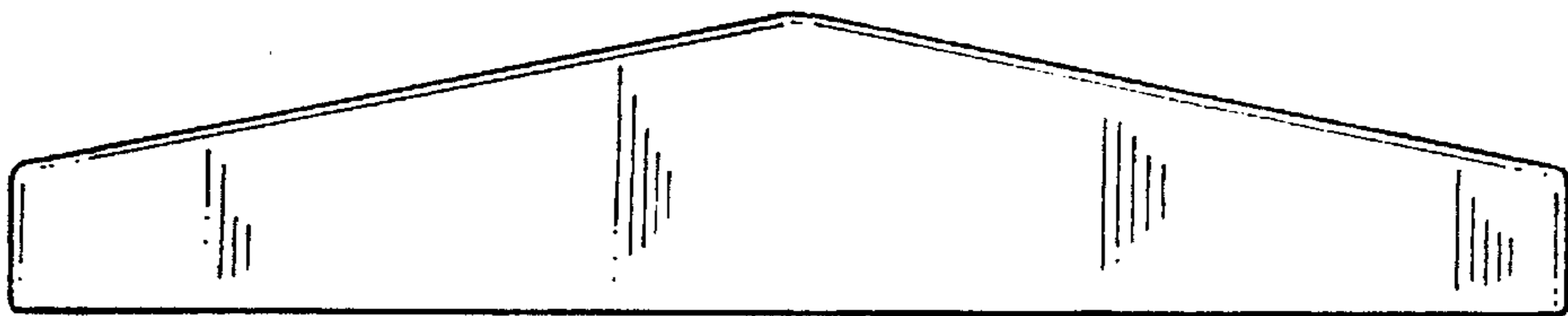


FIG. 4

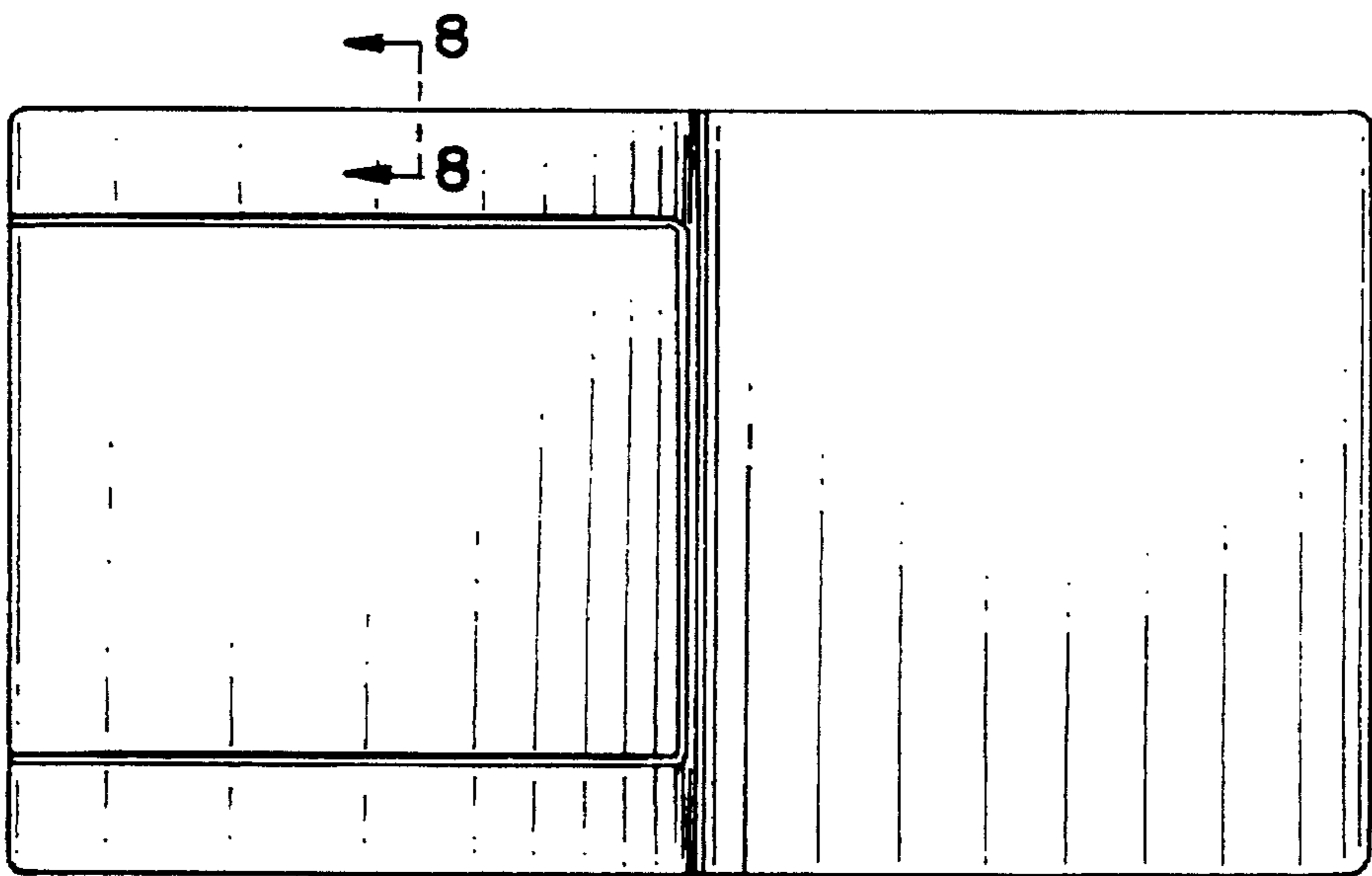


FIG. 5

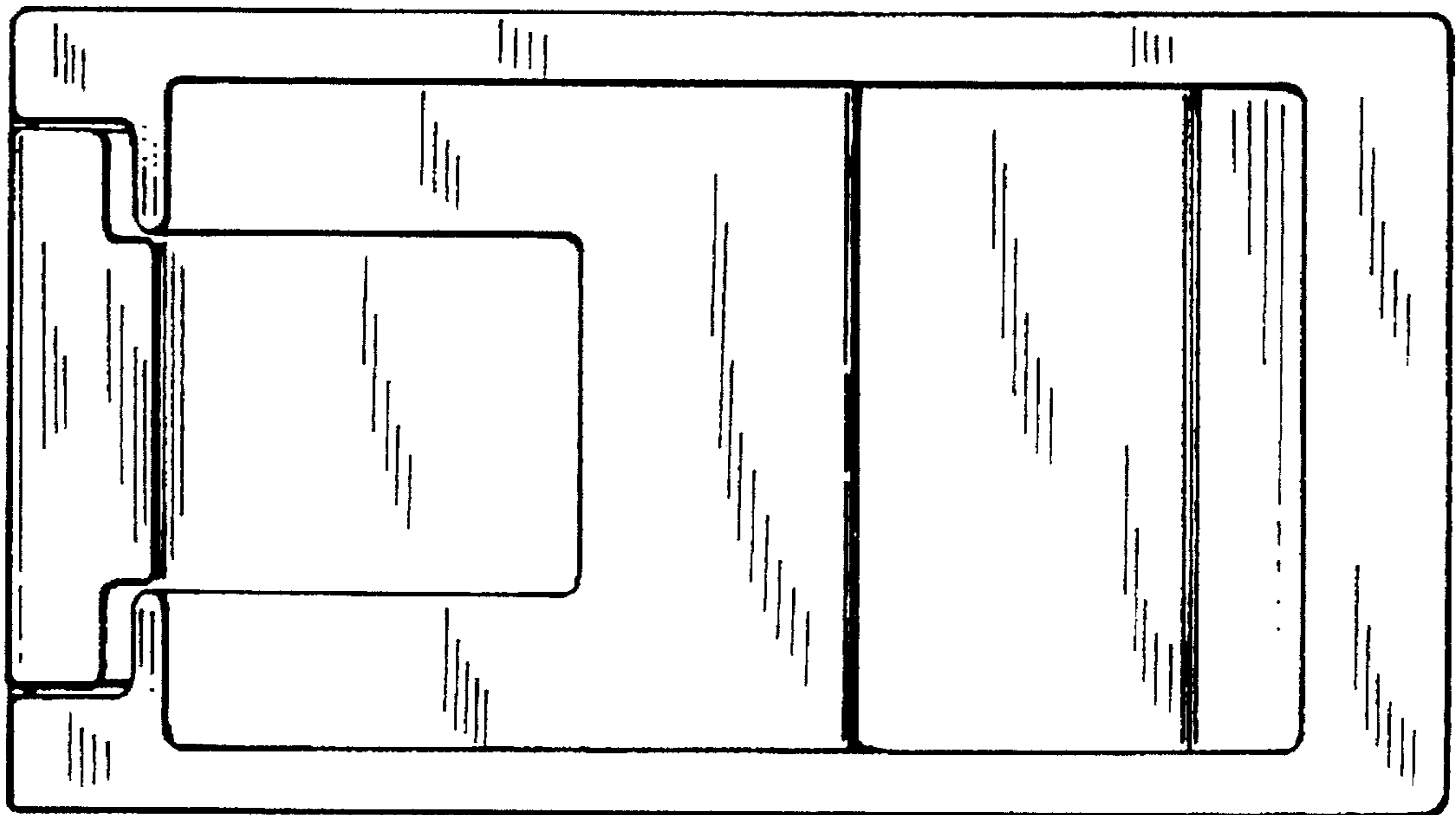


FIG. 6

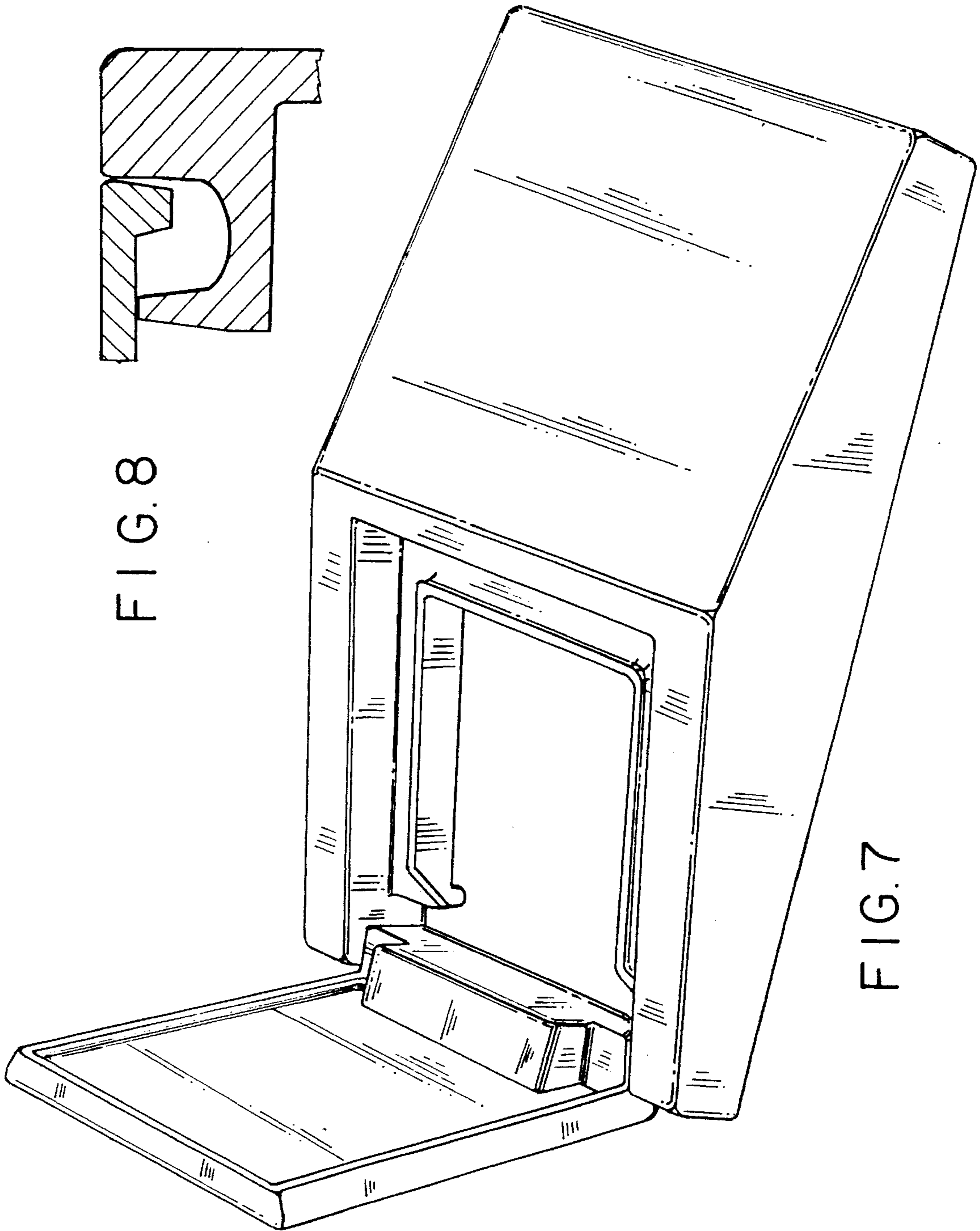


FIG. 8

FIG. 7