



US00D373656S

United States Patent [19]

Sorrels

[11] **Patent Number: Des. 373,656**

[45] **Date of Patent: **Sep. 10, 1996**

[54] **PROTECTIVE FINGER GUARD**

5,048,186 9/1991 Lamb et al. D29/114
5,450,626 9/1995 Sorrels 2/21

[76] Inventor: **M. Kevin Sorrels**, 5300 N. Braeswood Ste. 396, Houston, Tex. 77096

OTHER PUBLICATIONS

[**] Term: **14 Years**

U.S. patent application Ser. No. 08/186,816, Jan. 25, 1994, Sorrels.

[21] Appl. No.: **33,912**

Primary Examiner—Ruth McInroy
Attorney, Agent, or Firm—Keeling Law Firm

[22] Filed: **Jan. 23, 1995**

[52] **U.S. Cl.** **D29/114**

[57] **CLAIM**

[58] **Field of Search** D29/113, 114,
D29/117, 118, 119, 123; 2/16, 20, 21, 163;
D24/190

The ornamental design for a protective finger guard, as shown.

[56] **References Cited**

DESCRIPTION

U.S. PATENT DOCUMENTS

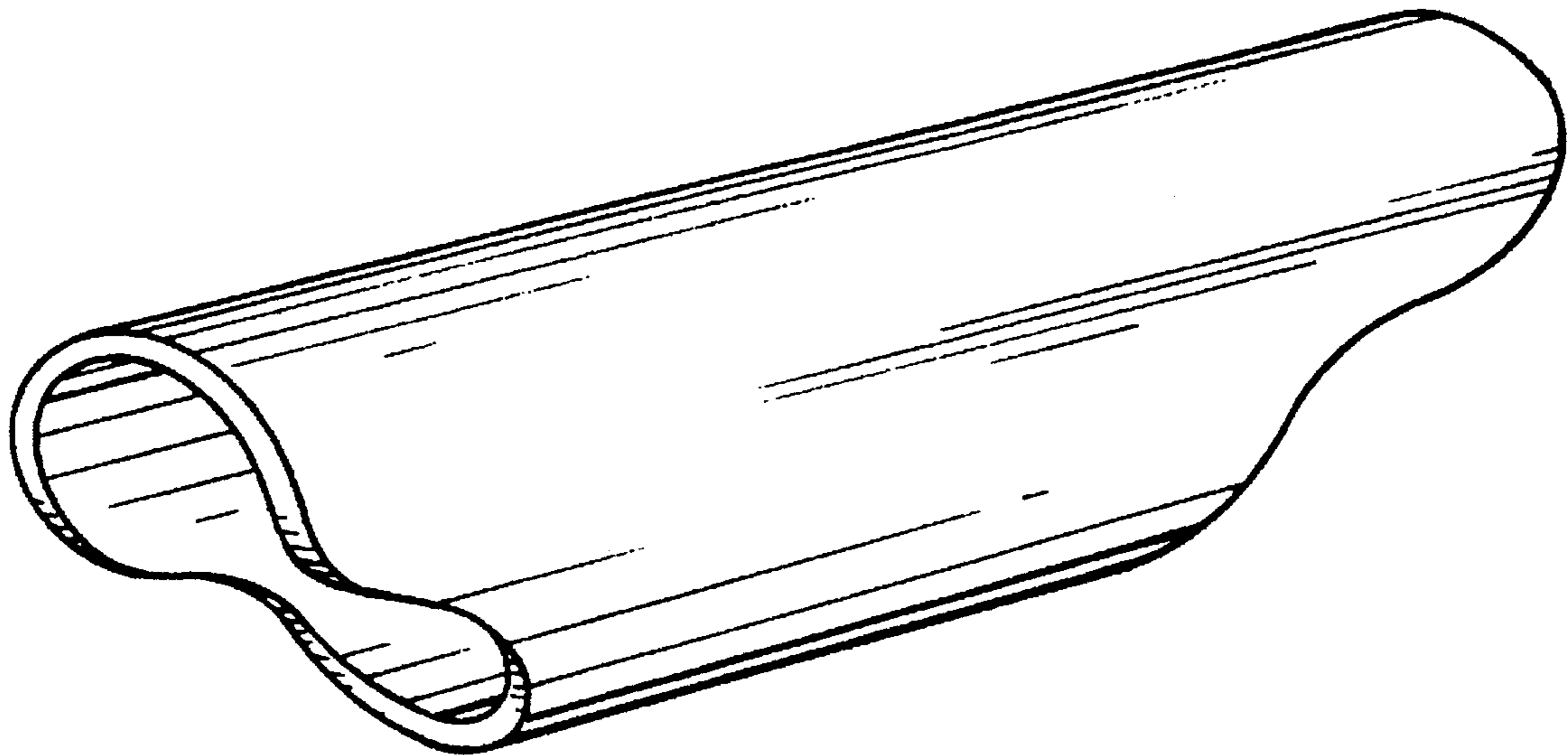
D. 225,389	12/1972	Carter	D24/190
471,221	3/1892	Moores	D29/114
622,386	4/1899	Peery	2/21
2,225,571	12/1940	Smith	2/21
2,409,101	10/1946	Brittingham	D29/114
3,046,561	7/1962	Marinese et al.	2/21
3,070,804	1/1963	Parrilla	2/21

FIG. 1 is an isometric view of a protective finger guard showing my new design;

FIG. 2 is a side elevational view of the protective finger guard shown in FIG. 1; and,

FIG. 3 is an end elevational view of the protective finger guard shown in FIG. 1.

1 Claim, 1 Drawing Sheet



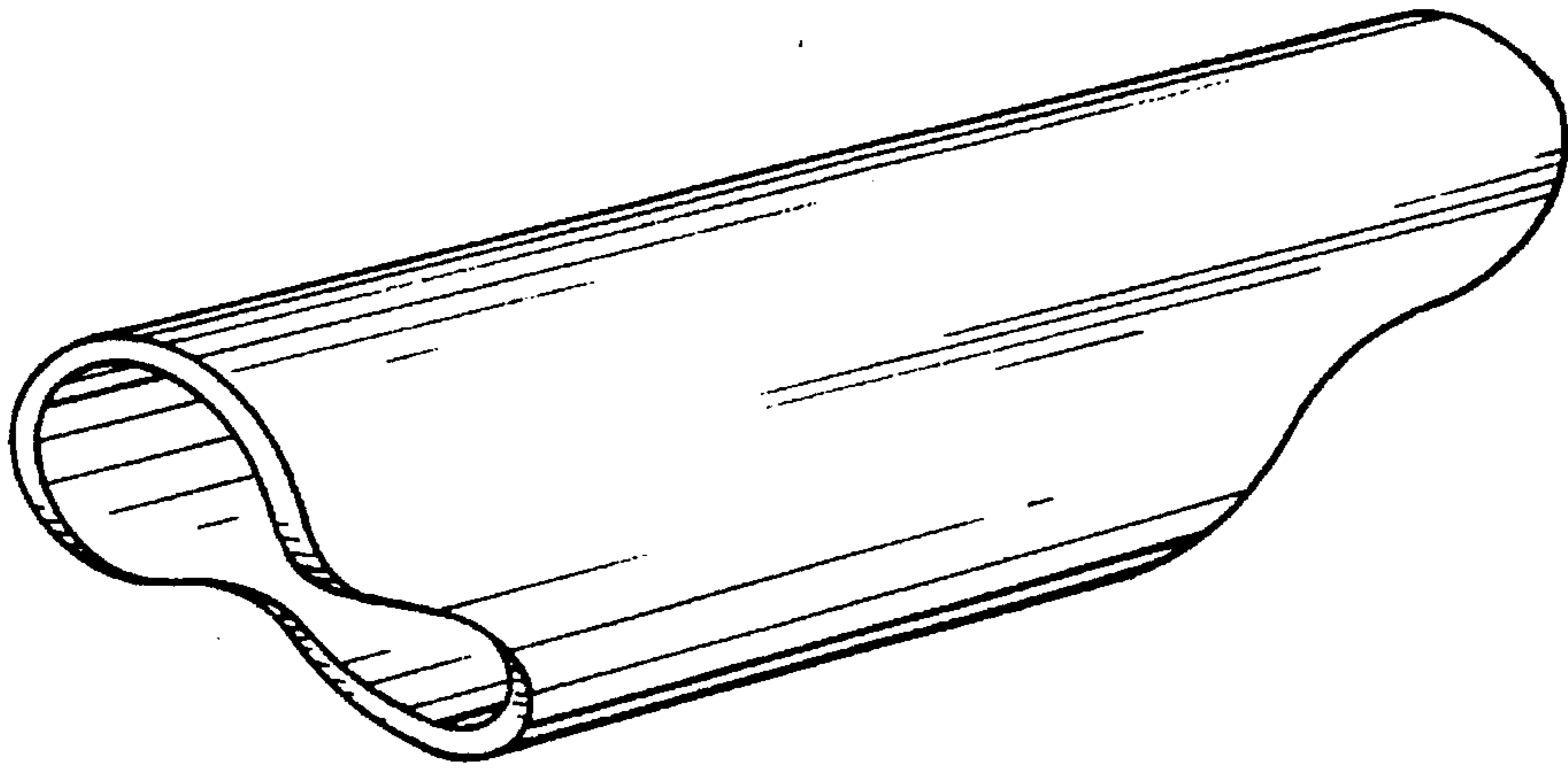


FIG. 1

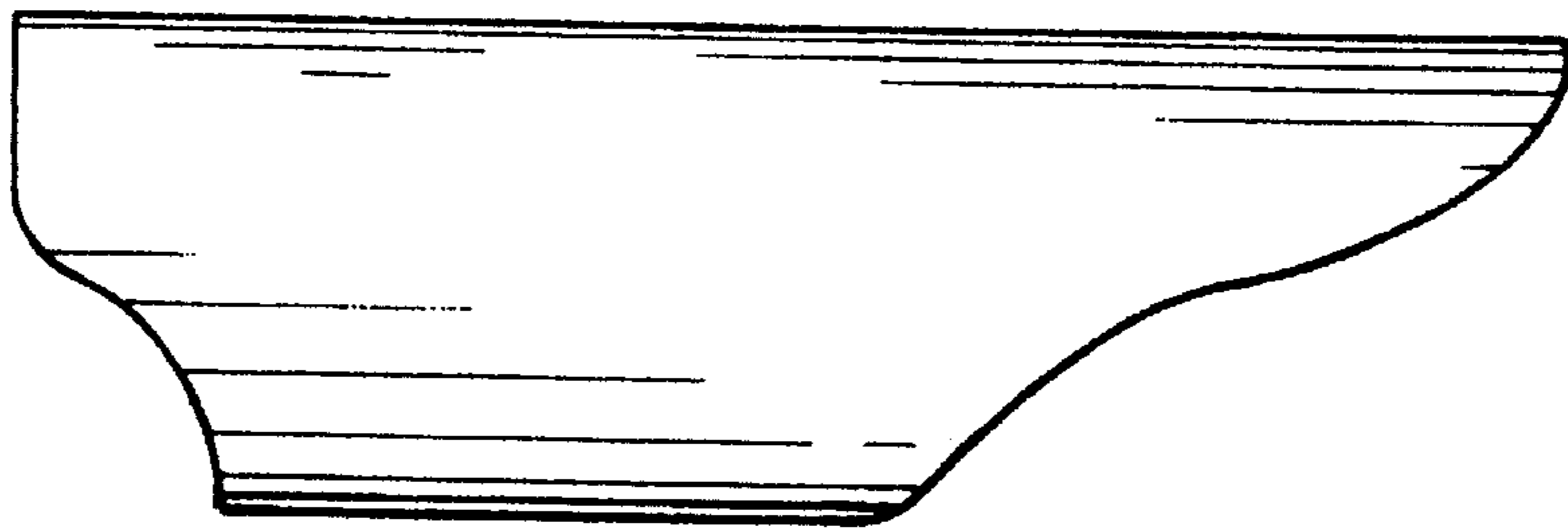


FIG. 2

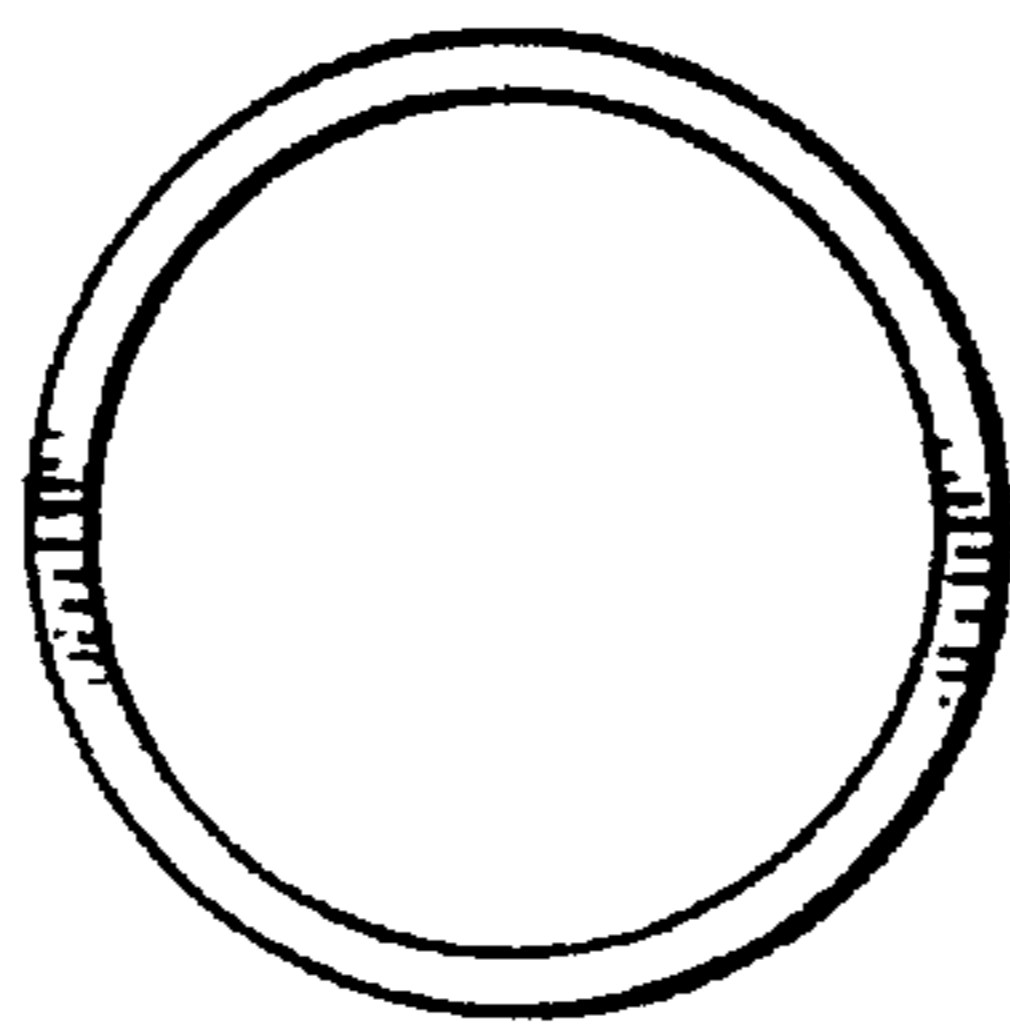


FIG. 3