



US00D373655S

# United States Patent [19]

[11] Patent Number: **Des. 373,655**

Kalvestran et al.

[45] Date of Patent: **\*\*Sep. 10, 1996**

[54] **KNEE GUARD**

[75] Inventors: **Jamie L. Kalvestran**, Anoka; **William S. Portzline**, Minneapolis, both of Minn.; **Bryce G. Rutter**, University City; **John H. Loudenslager**, Kirkwood, both of Mo.

[73] Assignee: **Rollerblade, Inc.**, Minneapolis, Minn.

[\*\*] Term: **14 Years**

[21] Appl. No.: **10,233**

[22] Filed: **Jun. 30, 1993**

[52] U.S. Cl. .... **D29/121**

[58] Field of Search ..... D29/100, 120, D29/121, 122; D24/189, 190; 2/2, 16, 22, 24

4,593,416	6/1986	Figgie, III et al. ....	2/24
4,599,747	7/1986	Robinson .....	2/16
4,599,748	7/1986	Garcia .....	2/22
4,685,153	8/1987	Sims .....	2/24
4,796,303	1/1989	Atwater .....	2/24
4,884,561	12/1989	Letson, Sr. ....	128/77
4,953,569	9/1990	Lonerdo .....	128/892
4,986,263	1/1991	Dickerson et al. ....	128/80 C
5,016,621	5/1991	Bender .....	128/80 C
5,024,216	6/1991	Shiono .....	128/80 C
5,255,391	10/1993	Levine .....	2/24

Primary Examiner—Ruth McInroy

Attorney, Agent, or Firm—Merchant, Gould, Smith, Edell, Welter & Schmidt

### [57] CLAIM

The ornamental design for a knee guard, as shown and described.

### DESCRIPTION

FIG. 1 is a right side perspective view of a knee guard showing our new design;

FIG. 2 is an enlarged front, perspective view thereof;

FIG. 3 is a right side elevation view thereof;

FIG. 4 is a front elevation view thereof;

FIG. 5 is a top plan view thereof;

FIG. 6 is a left side elevation view thereof;

FIG. 7 is a rear elevation view thereof; and,

FIG. 8 is a bottom plan view thereof.

The leg shown in broken lines in FIGS. 1 and 2 is shown for illustrative purposes only and forms no part of the claim design. The broken lines on the knee guard in FIGS. 3, 4 and 6 represent conventional stitching.

### References Cited

#### U.S. PATENT DOCUMENTS

D. 255,728	7/1980	Baron .....	D24/190
D. 338,280	8/1993	Krent et al. ....	D29/100
D. 341,005	11/1993	Pratt .....	D29/100
D. 341,679	11/1993	Levine .....	D29/121
D. 341,681	11/1993	Levine .....	D29/121
D. 343,480	6/1994	Levine .....	D29/121
D. 346,245	4/1994	Krent et al. ....	D29/120
D. 347,301	5/1994	Levine .....	D29/121
1,351,731	9/1920	Baldwin .	
2,550,461	4/1951	Fick .....	2/16
3,945,047	3/1976	Jarrell, Jr. ....	2/24
4,151,614	5/1979	Rhee .....	2/24
4,484,361	11/1984	Leighton et al. ....	2/24
4,490,855	1/1985	Figgie, III et al. ....	2/24

1 Claim, 4 Drawing Sheets

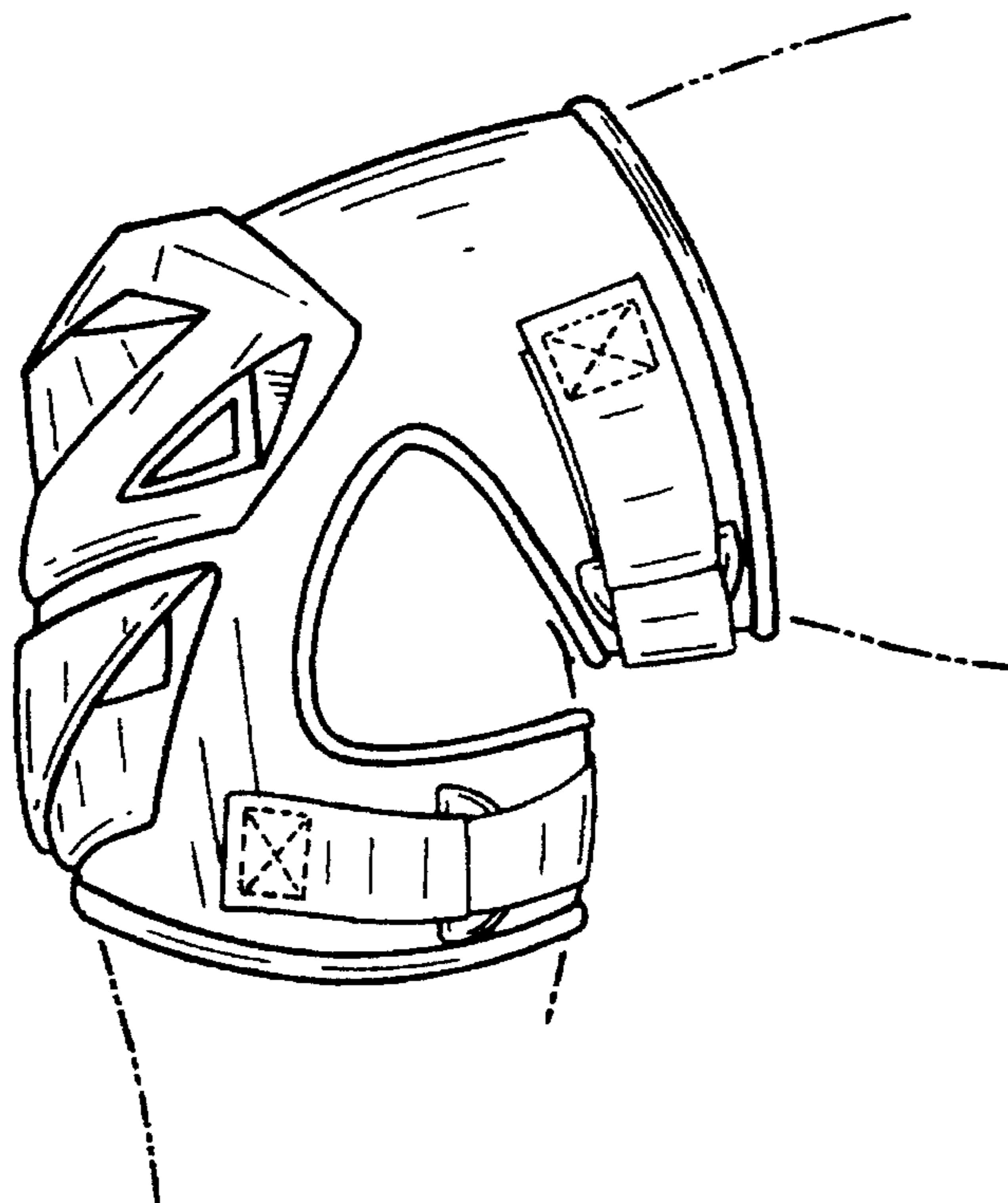


FIG. 1

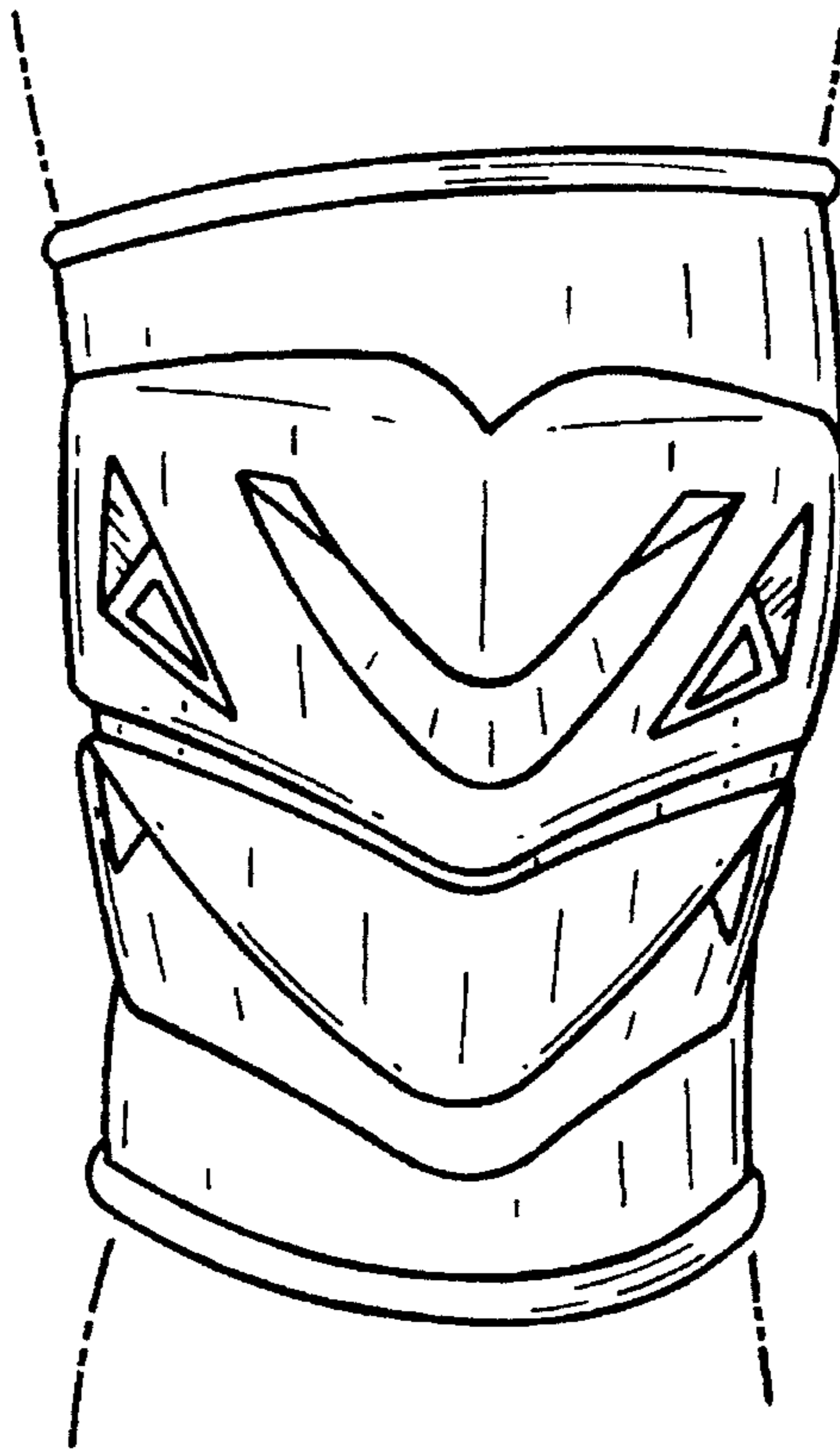
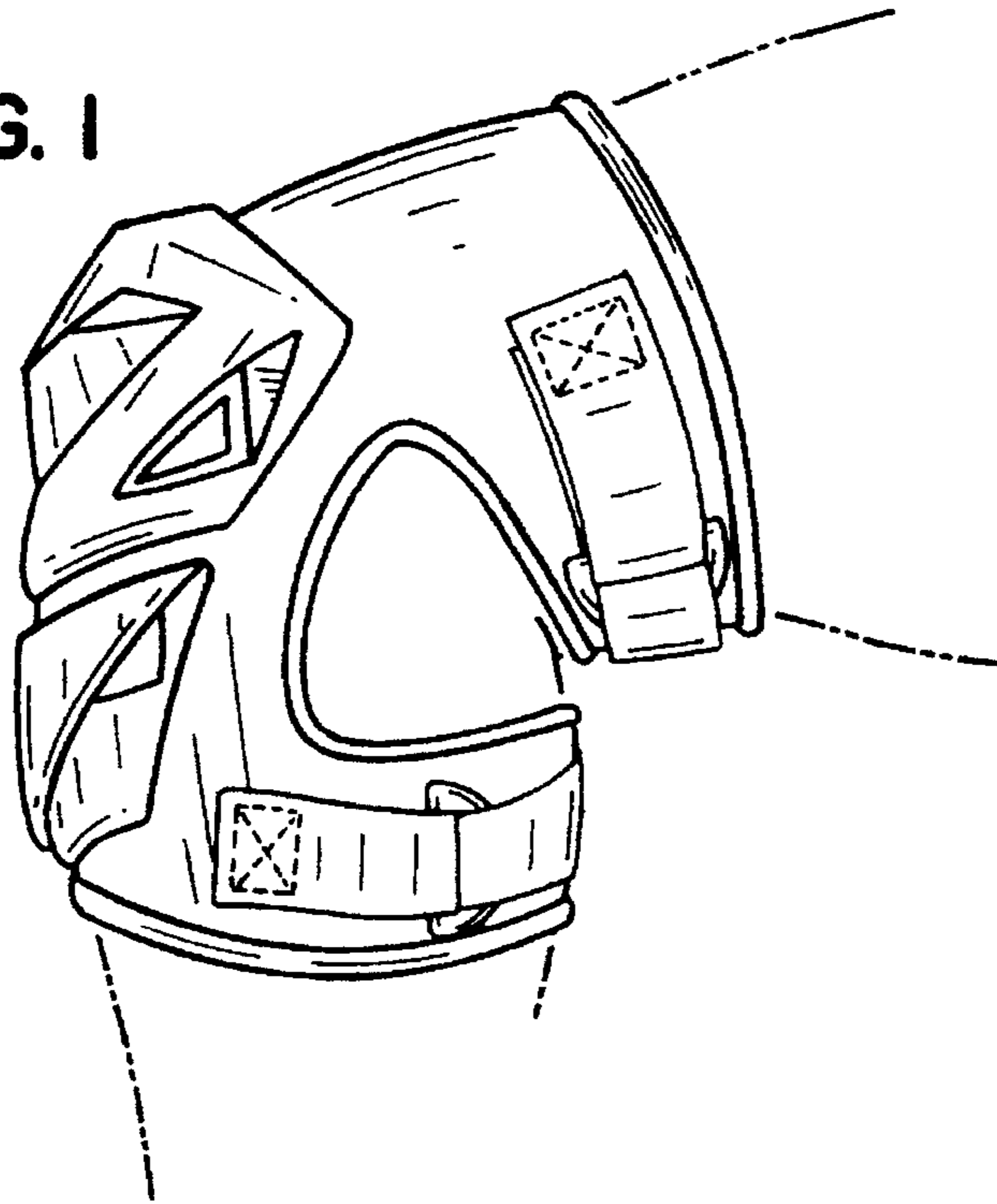


FIG. 2

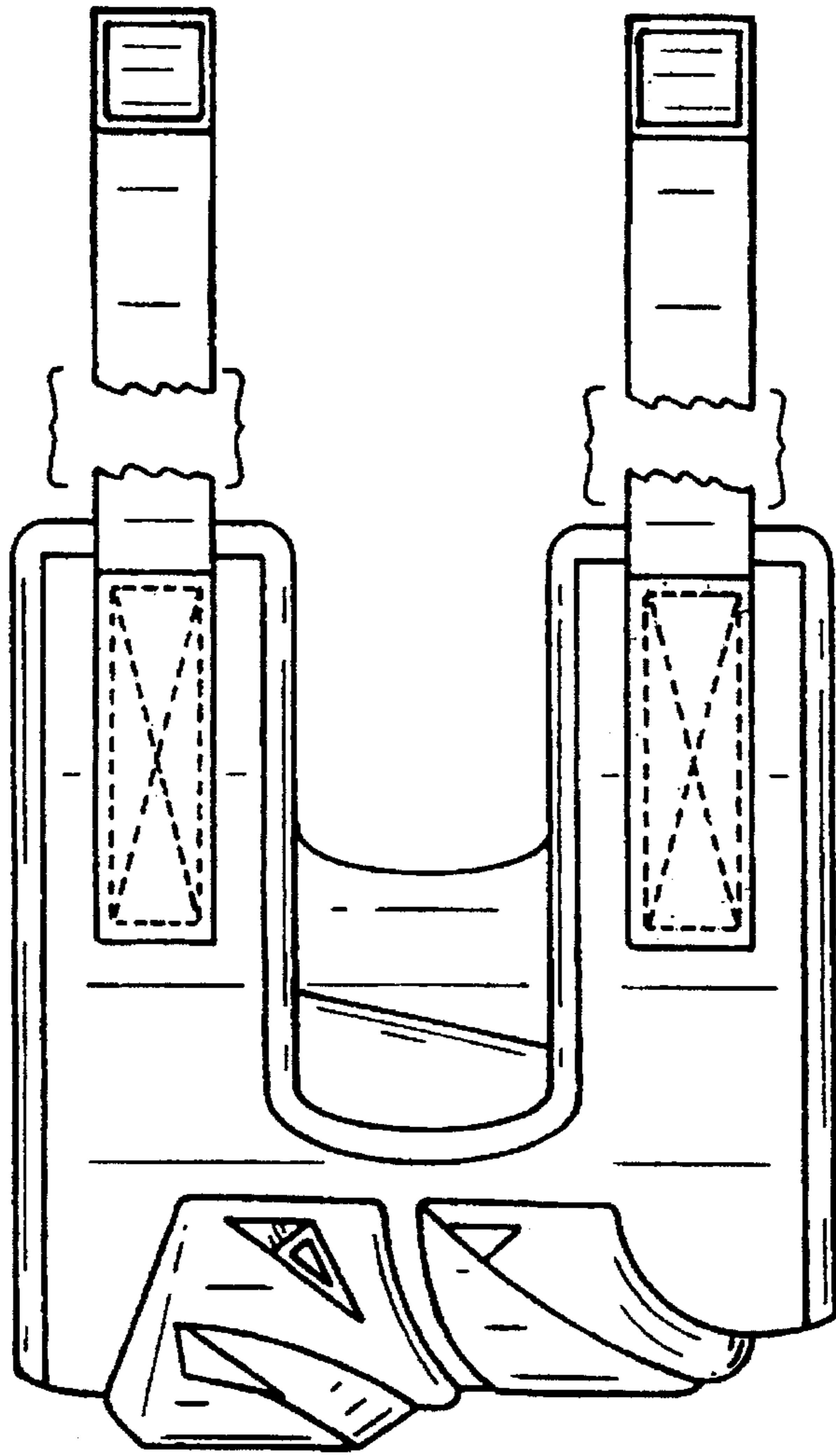


FIG. 3

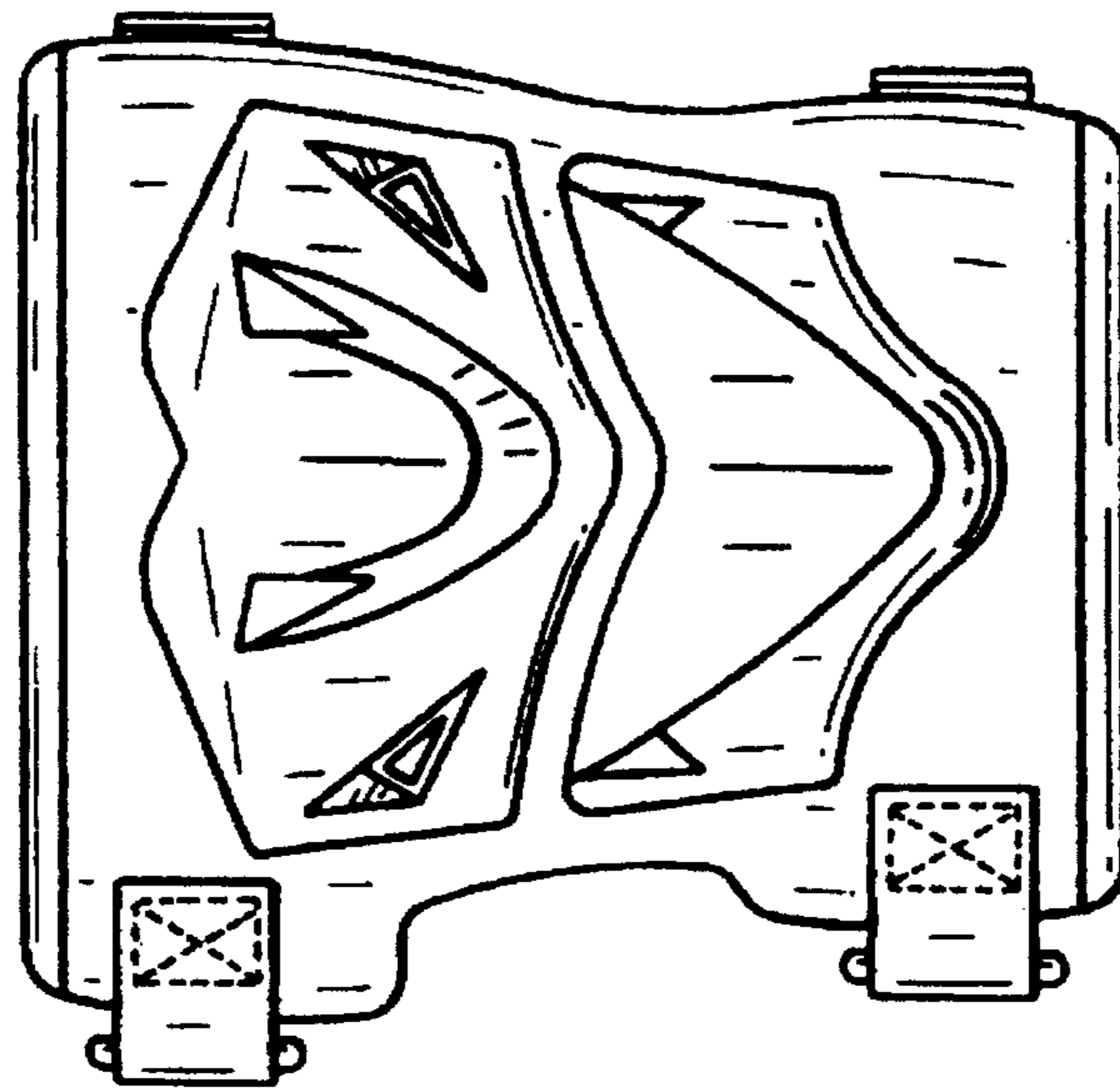


FIG. 4

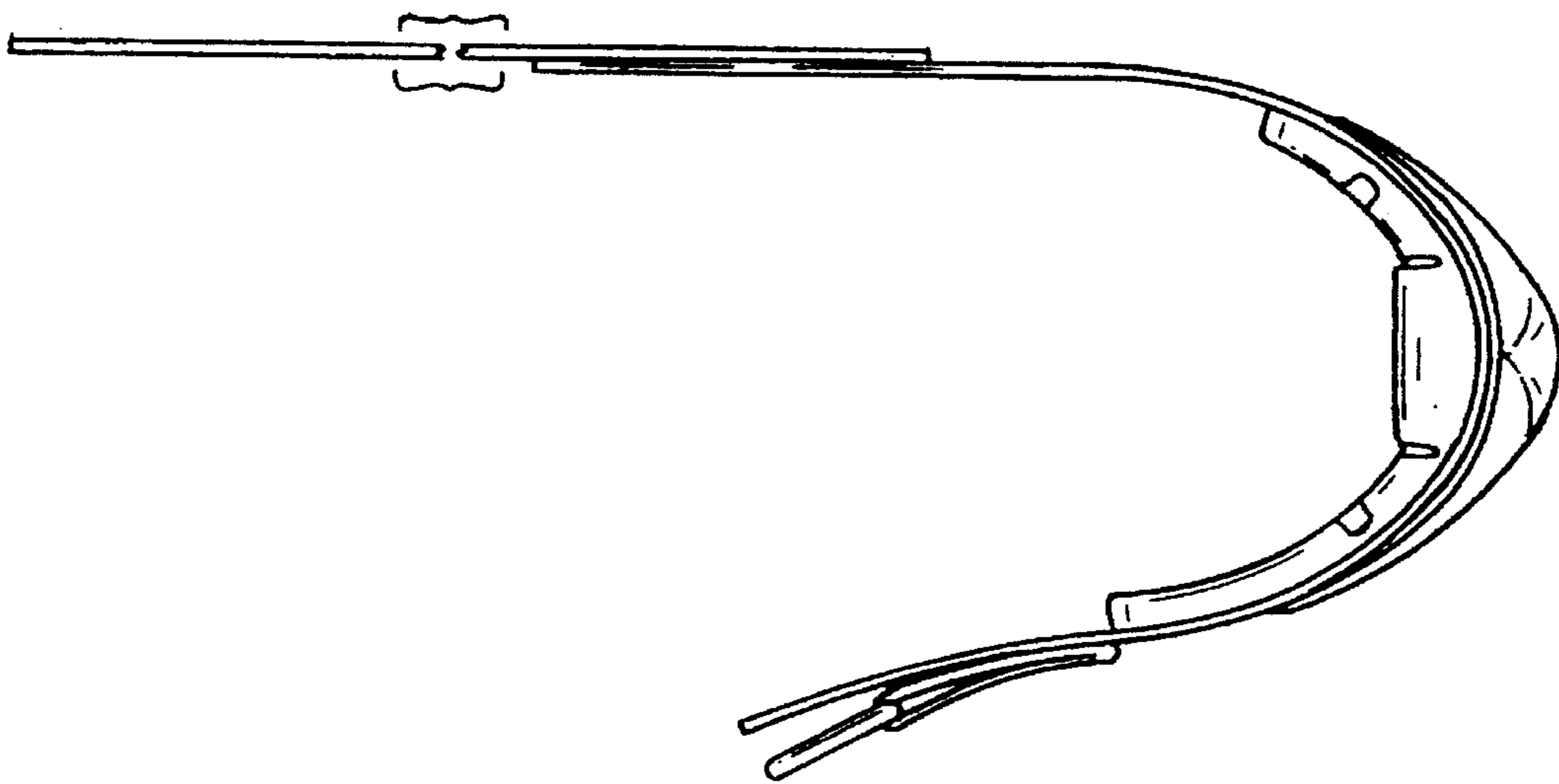


FIG. 5

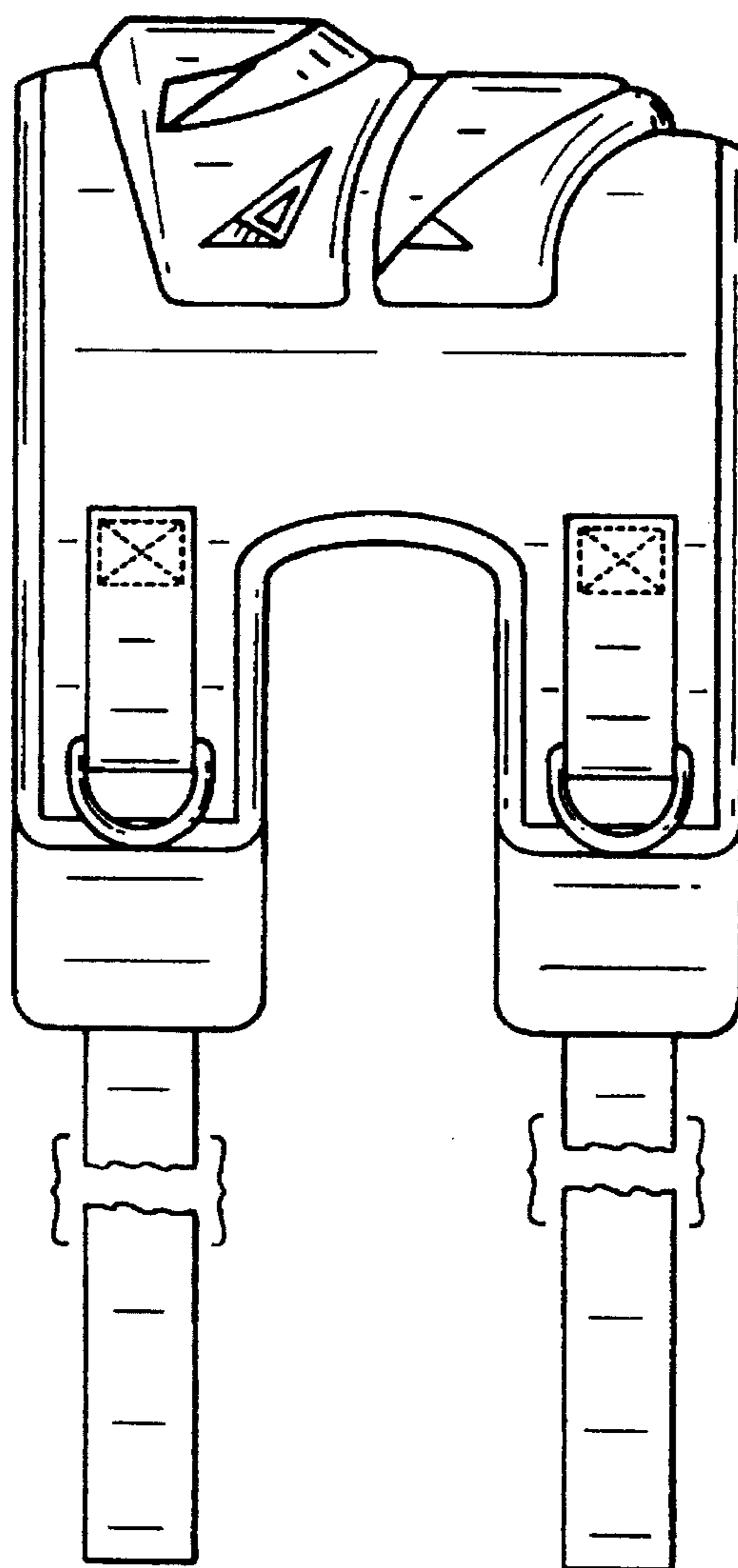


FIG. 6

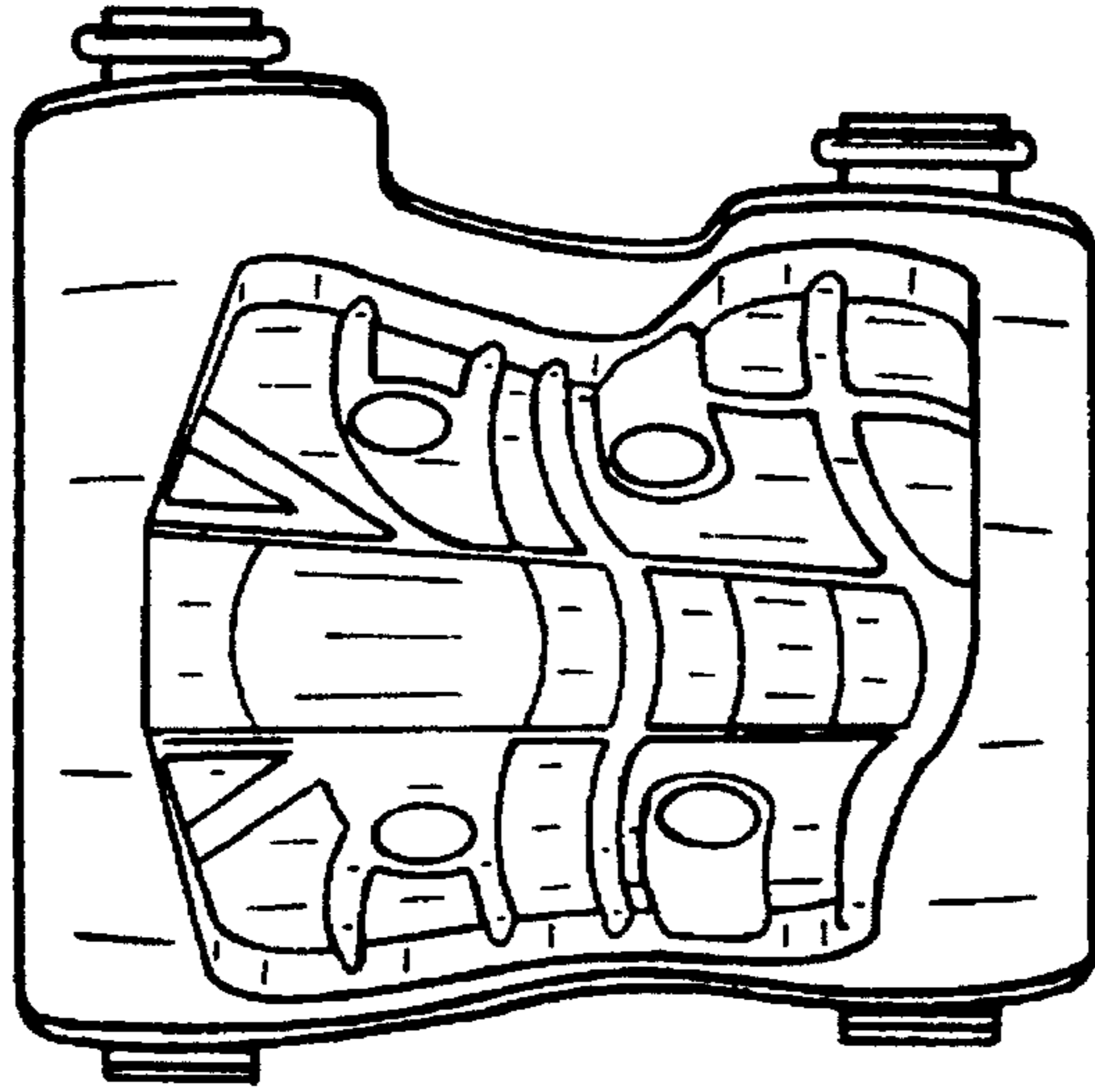


FIG. 7

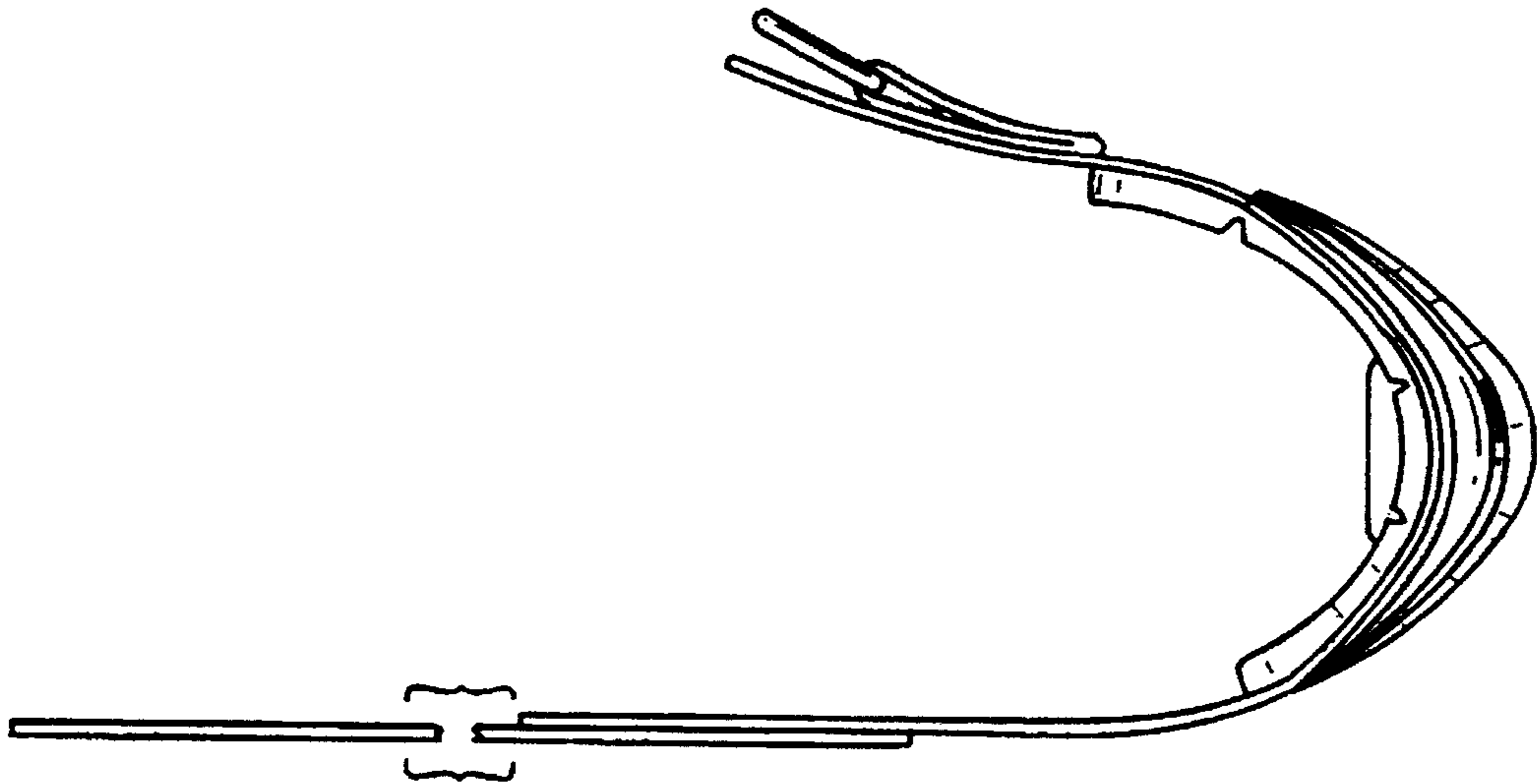


FIG. 8