



US00D373648S

United States Patent [19]

Kaiser

[11] Patent Number: Des. 373,648

[45] Date of Patent: **Sep. 10, 1996

[54] HEAD FOR A FLEXIBLE FLASHLIGHT

[75] Inventor: David W. Kaiser, North Haven, Conn.

[73] Assignee: Black & Decker Inc., Newark, Del.

[**] Term: 14 Years

[21] Appl. No.: 37,611

[22] Filed: Apr. 17, 1995

[52] U.S. Cl. D26/43

[58] Field of Search D26/37, 43, 44,
D26/46, 48, 49, 60, 62; 362/157, 158, 184,
188, 189, 191, 198, 200, 202, 362, 396

[56] **References Cited**

U.S. PATENT DOCUMENTS

D. 152,584	2/1949	Becker	D26/43
D. 276,080	10/1984	Kung	D26/48
D. 292,321	10/1987	Liu	D26/48
D. 314,246	1/1991	Bache	D26/62
D. 323,403	1/1992	Sinrod	D26/38
3,111,277	11/1963	Grimsley	D26/43 X

Primary Examiner—A. Hugo Word
Assistant Examiner—Lavone D. Tabor
Attorney, Agent, or Firm—Barry E. Deutsch

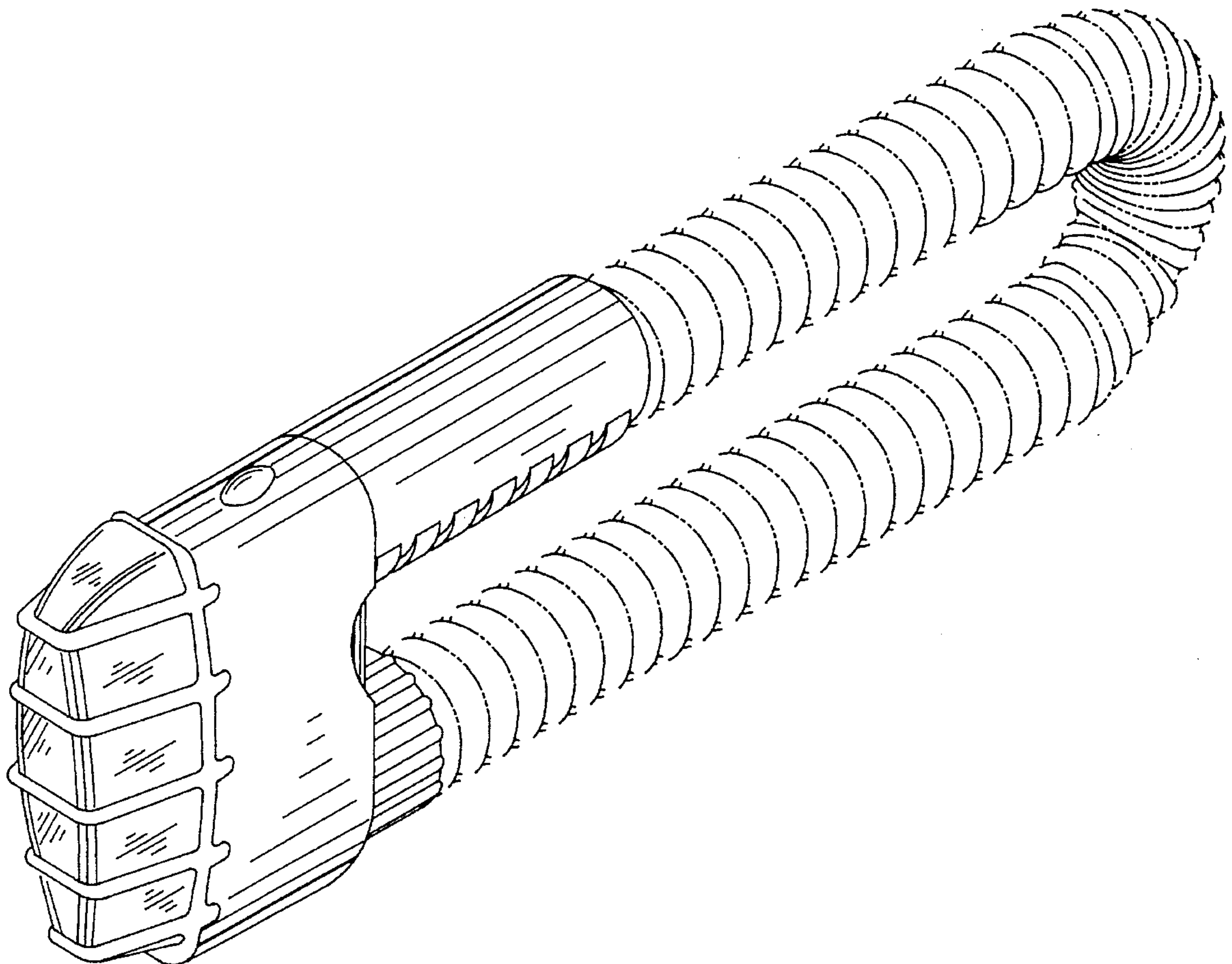
[57] **CLAIM**

The ornamental design for a head for a flexible flashlight, as shown and described.

DESCRIPTION

FIG. 1 is a perspective view taken from the front, top, and right side of a head for a flexible flashlight illustrating my new design, the portion shown in phantom is illustrative of a flexible core to which my new design may be attached; FIG. 2 is a right side elevational view thereof; FIG. 3 is a left side elevational view thereof; FIG. 4 is a front elevational view thereof; FIG. 5 is a rear elevational view thereof; FIG. 6 is a top plan view thereof; and, FIG. 7 is a bottom plan view thereof. The broken lines are for illustrative purposes and form no part of the claimed design.

1 Claim, 3 Drawing Sheets



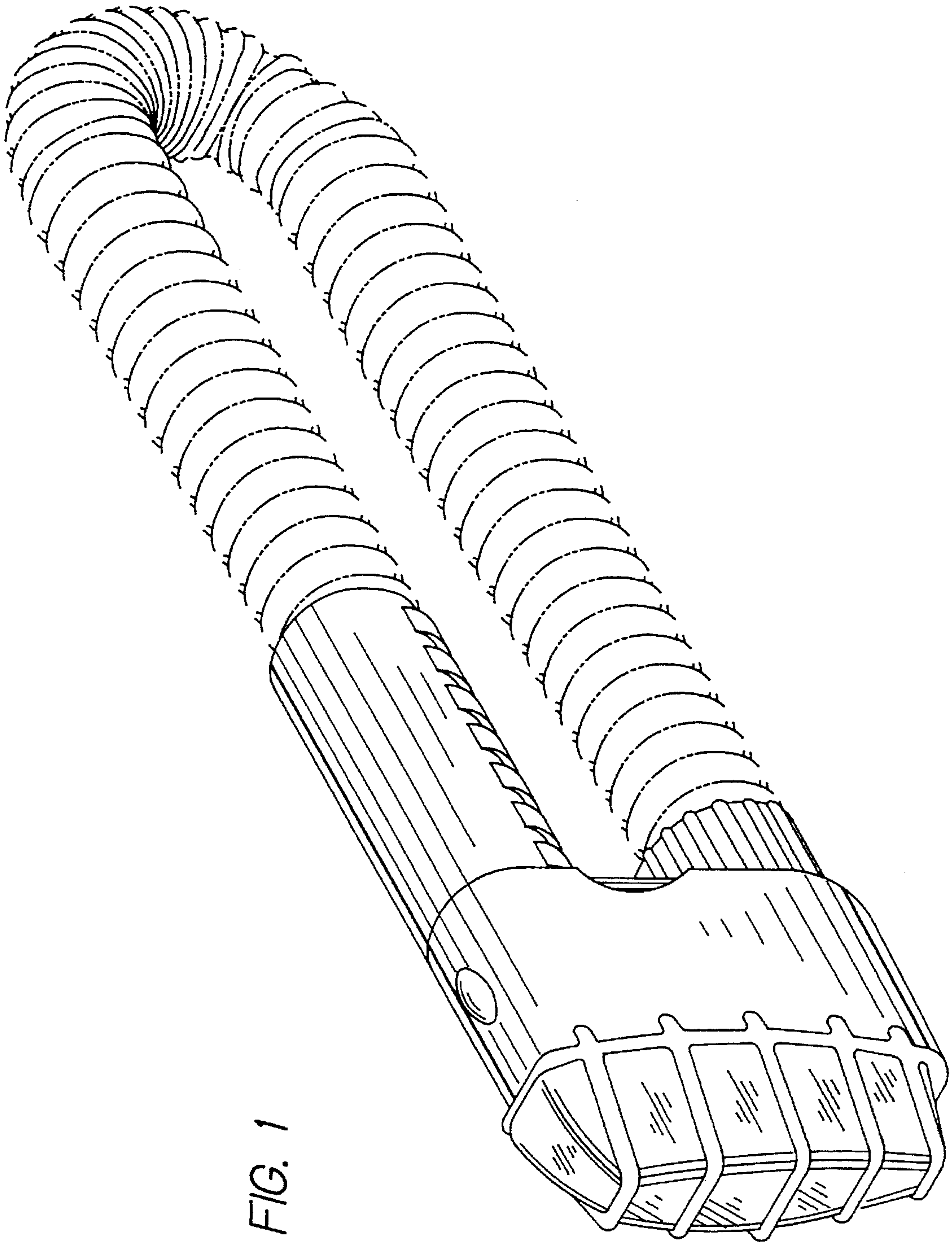


FIG. 1

FIG. 2

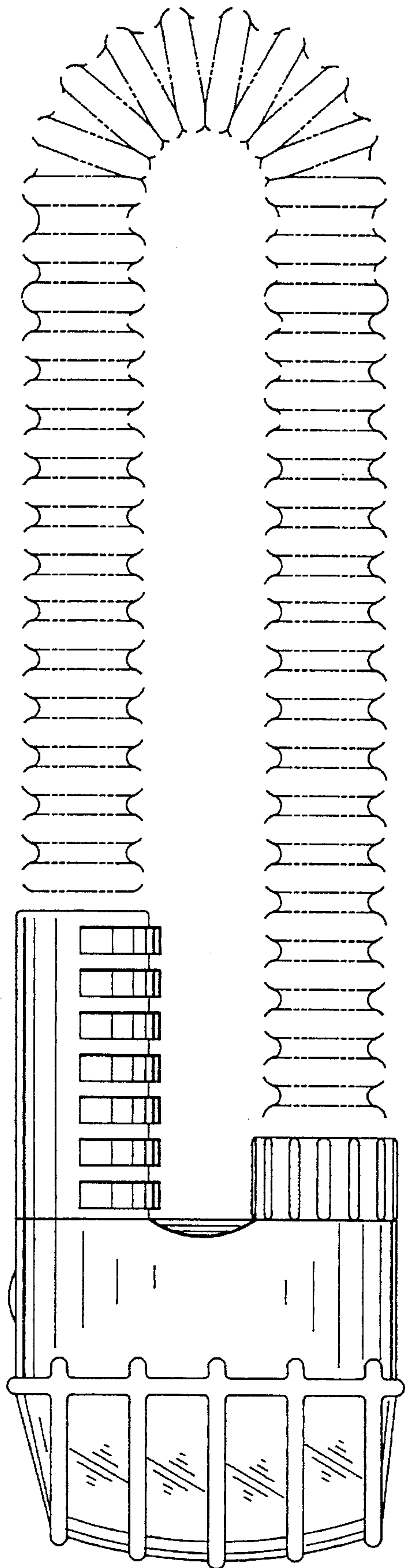


FIG. 3

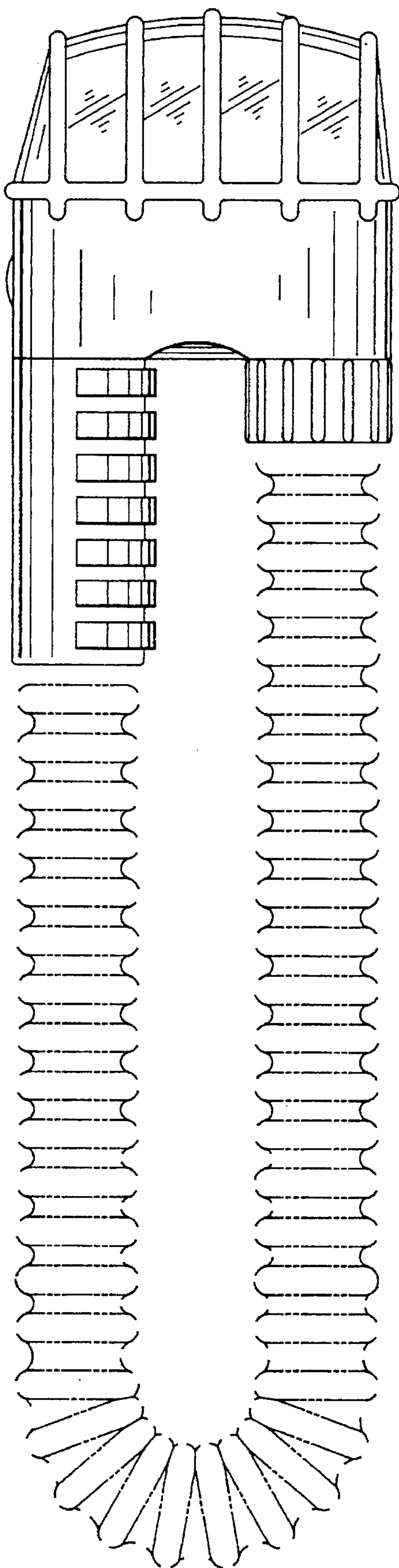


FIG. 5

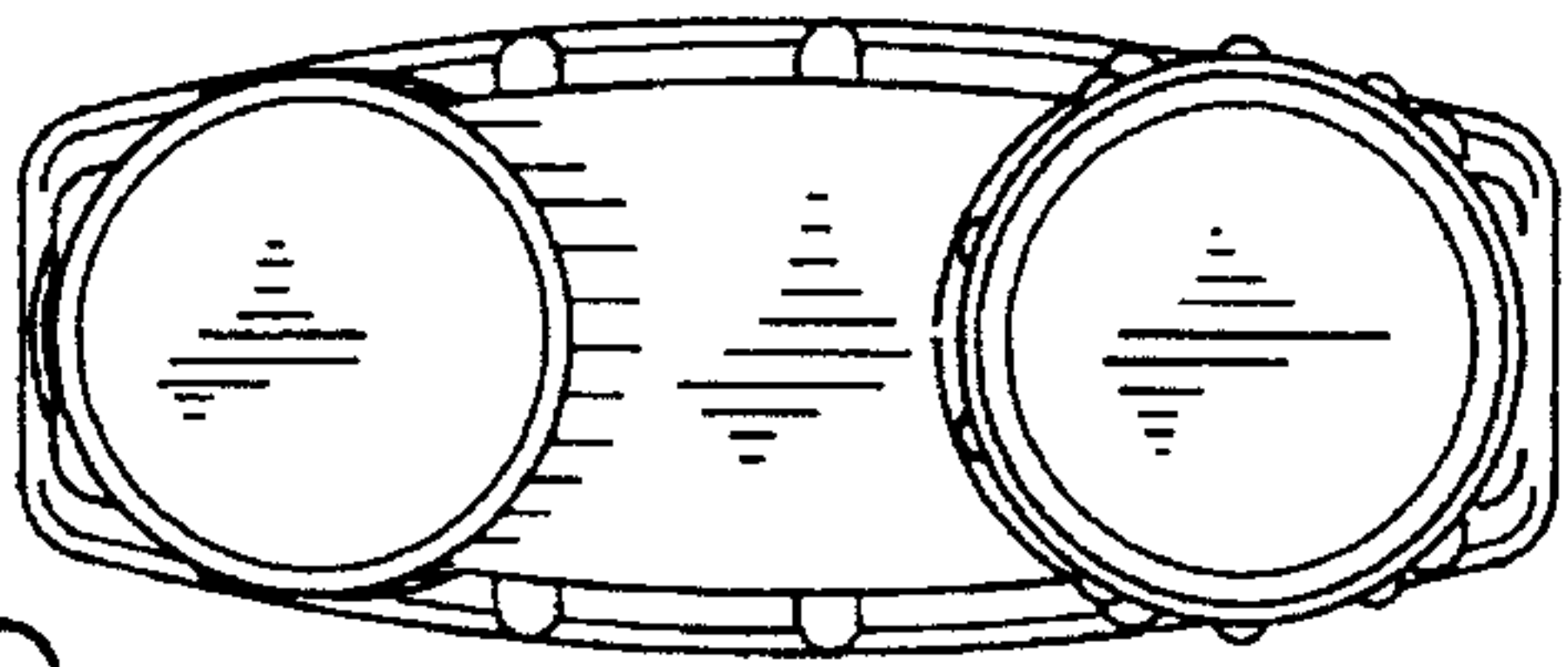


FIG. 4

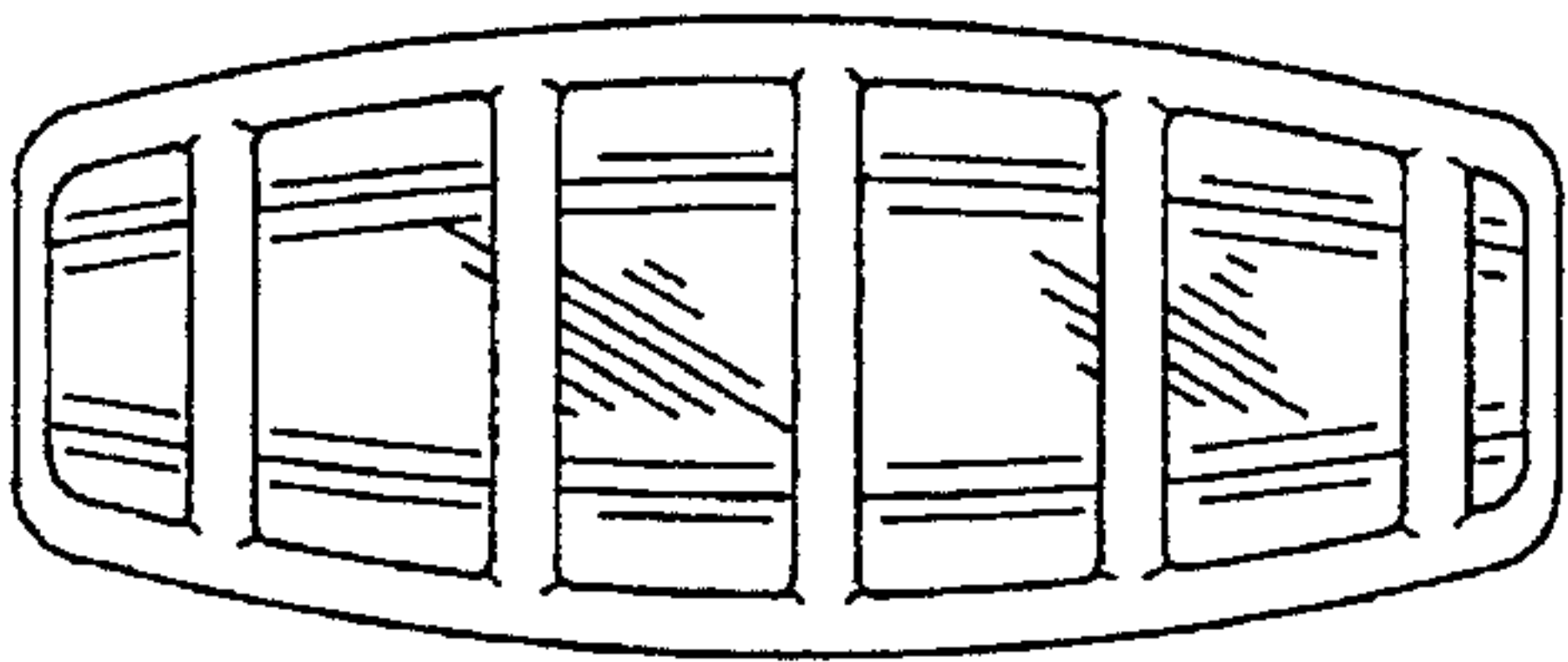


FIG. 6

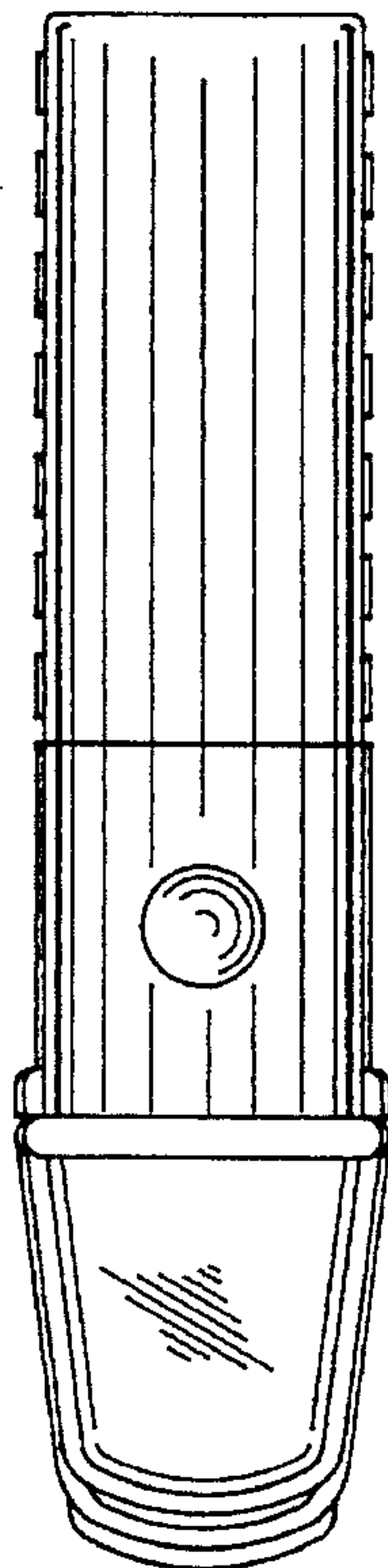


FIG. 7

