



US00D373645S

United States Patent [19]

[11] Patent Number: **Des. 373,645**

Johnstone et al.

[45] Date of Patent: ****Sep. 10, 1996**

[54] FLASHLIGHT WITH FLEXIBLE HANDLE

[75] Inventors: **Scott Johnstone**, Pleasant Valley;
Aaron Szymanski, Bristol, both of
Conn.

[73] Assignee: **Black & Decker Inc.**, Newark, Del.

[**] Term: **14 Years**

[21] Appl. No.: **36,057**

[22] Filed: **Mar. 13, 1995**

[52] U.S. Cl. **D26/43**

[58] Field of Search D26/37, 43, 44,
D26/46, 49, 60, 62; 362/157, 158, 184,
188, 189, 191, 198, 199, 200, 202, 362,
396

[56] References Cited

U.S. PATENT DOCUMENTS

D. 147,258	8/1947	Becker	D26/43
D. 166,073	3/1952	Dunkelberger	D26/43
D. 314,246	1/1991	Bache	D26/62
D. 328,146	7/1992	Sinsteden	D26/49
3,111,277	11/1963	Grimsley	D26/43 X

FOREIGN PATENT DOCUMENTS

604541	7/1983	Japan	D26/43
671733	2/1986	Japan	D26/43
671734	2/1986	Japan	D26/43

Primary Examiner—A. Hugo Word
Assistant Examiner—Lavone D. Tabor
Attorney, Agent, or Firm—Barry E. Deutsch

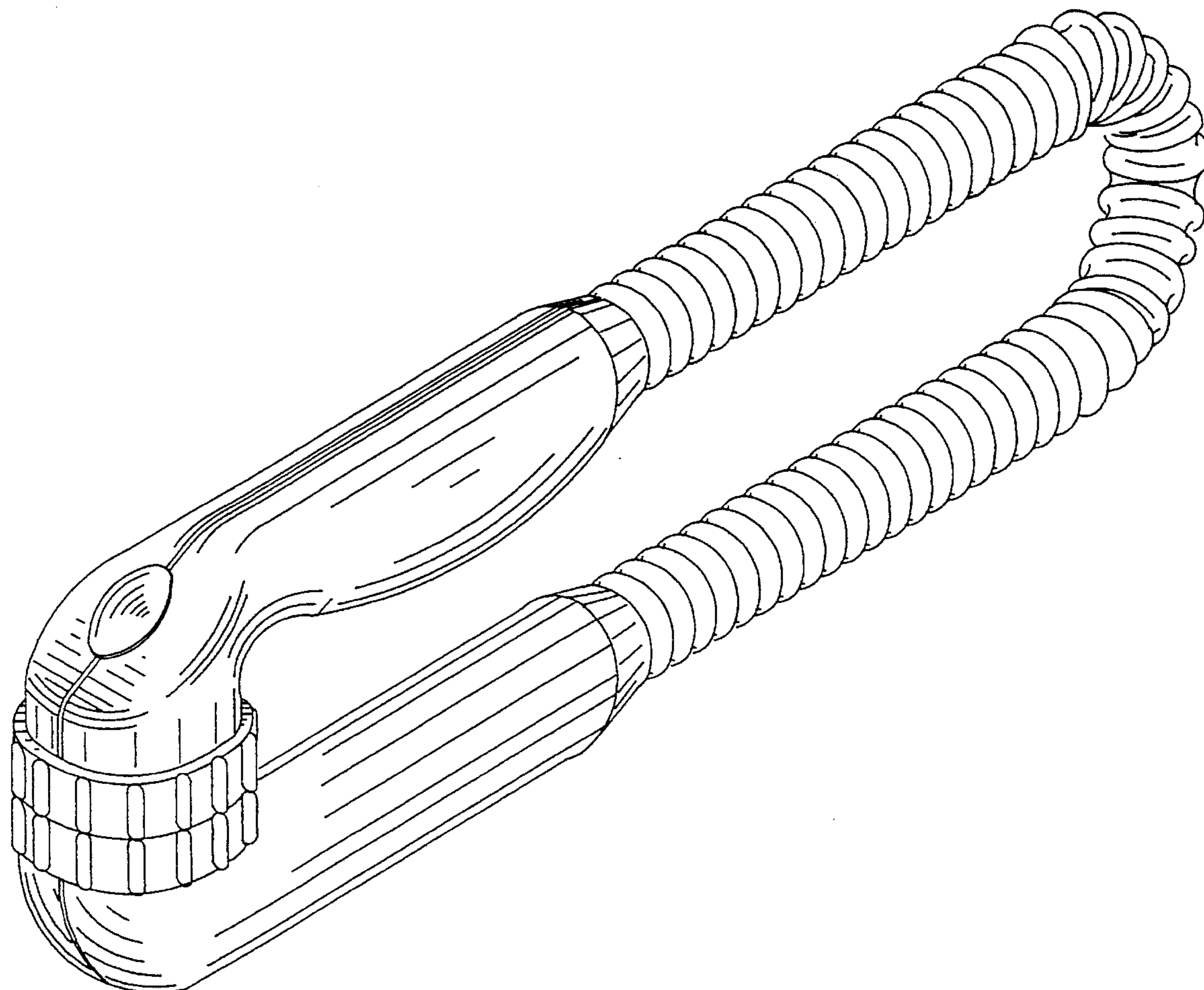
[57] CLAIM

The ornamental design for a flashlight with flexible handle, as shown and described.

DESCRIPTION

FIG. 1 is a perspective view taken from the front, top and right side of a flashlight with flexible handle illustrating our new design;
FIG. 2 is a right side elevational view thereof;
FIG. 3 is a left side elevational view thereof;
FIG. 4 is a front elevational view thereof;
FIG. 5 is a rear elevational view thereof;
FIG. 6 is a top plan view thereof; and,
FIG. 7 is a bottom plan view thereof.

1 Claim, 3 Drawing Sheets



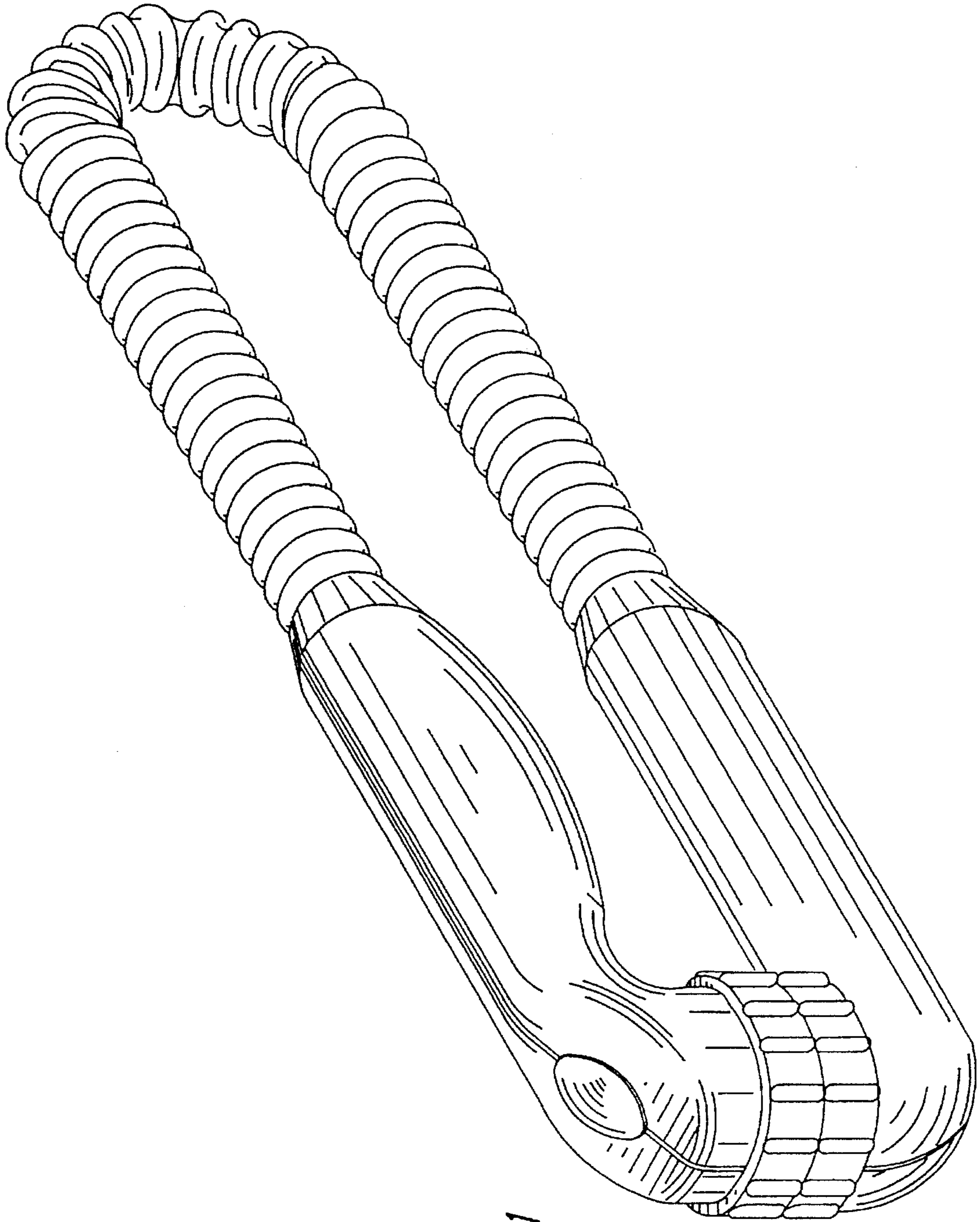
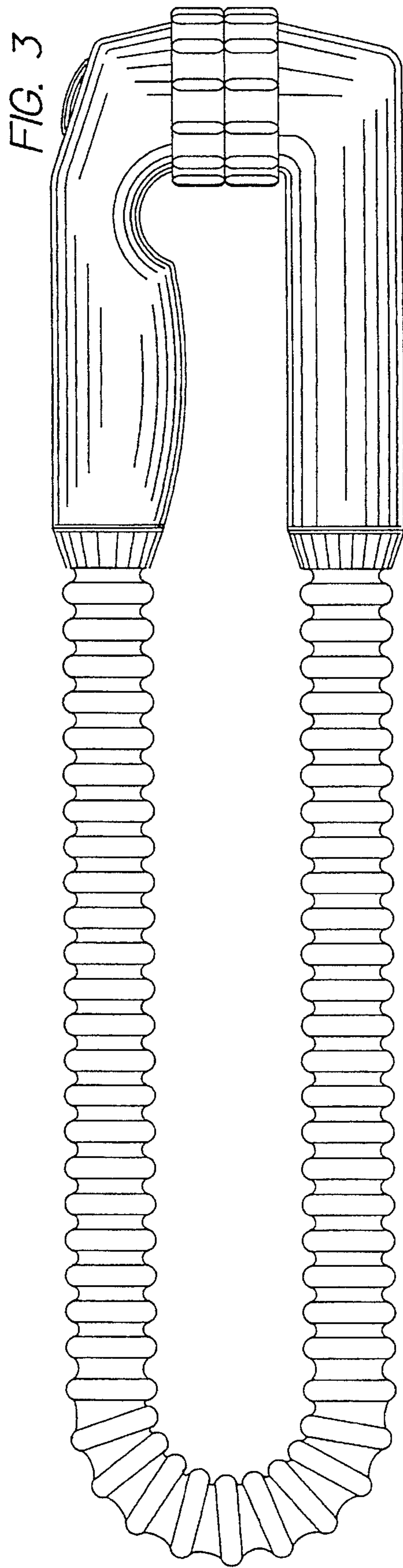
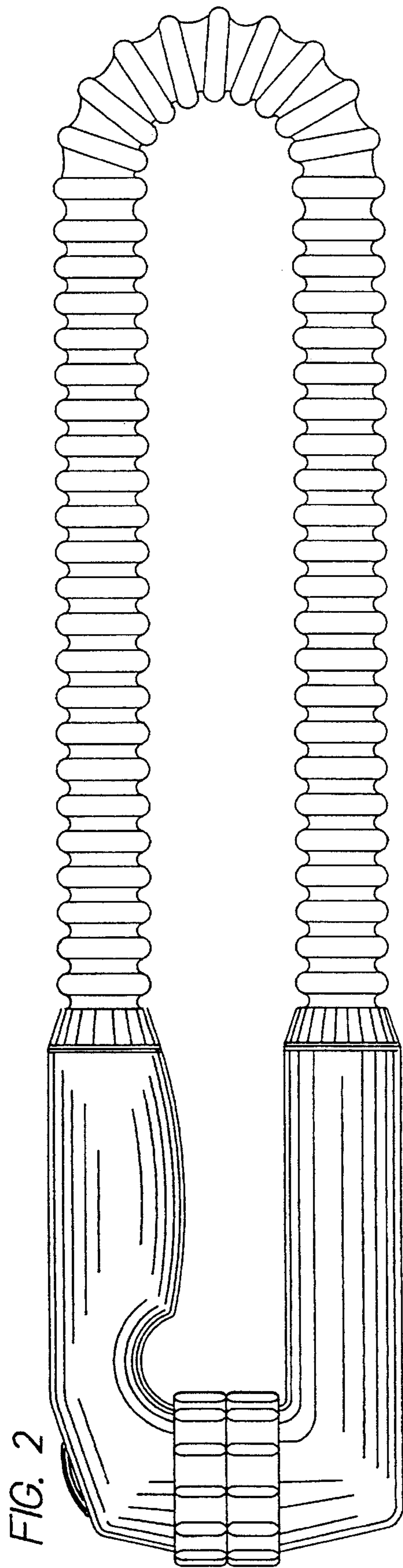


FIG. 1



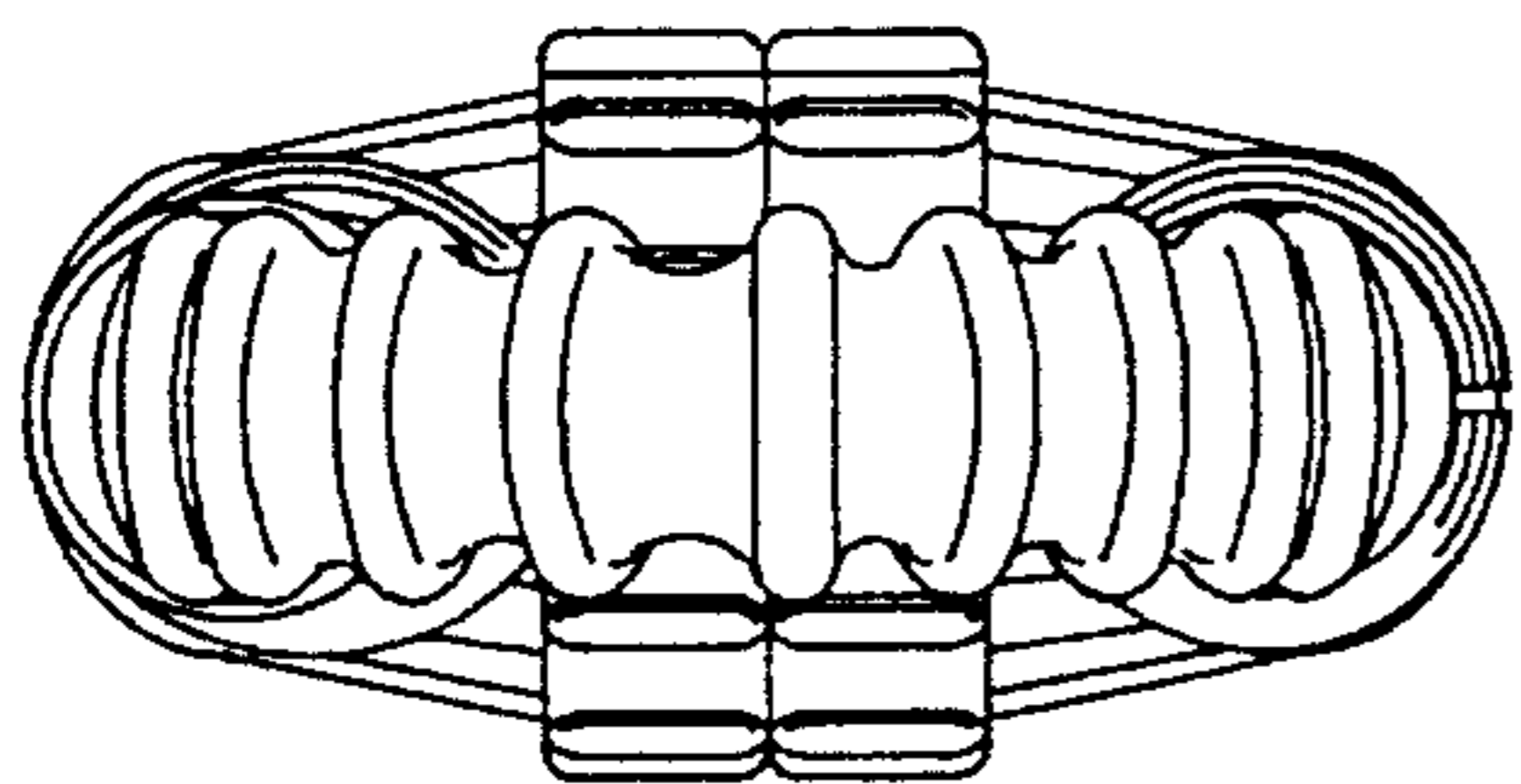


FIG. 5

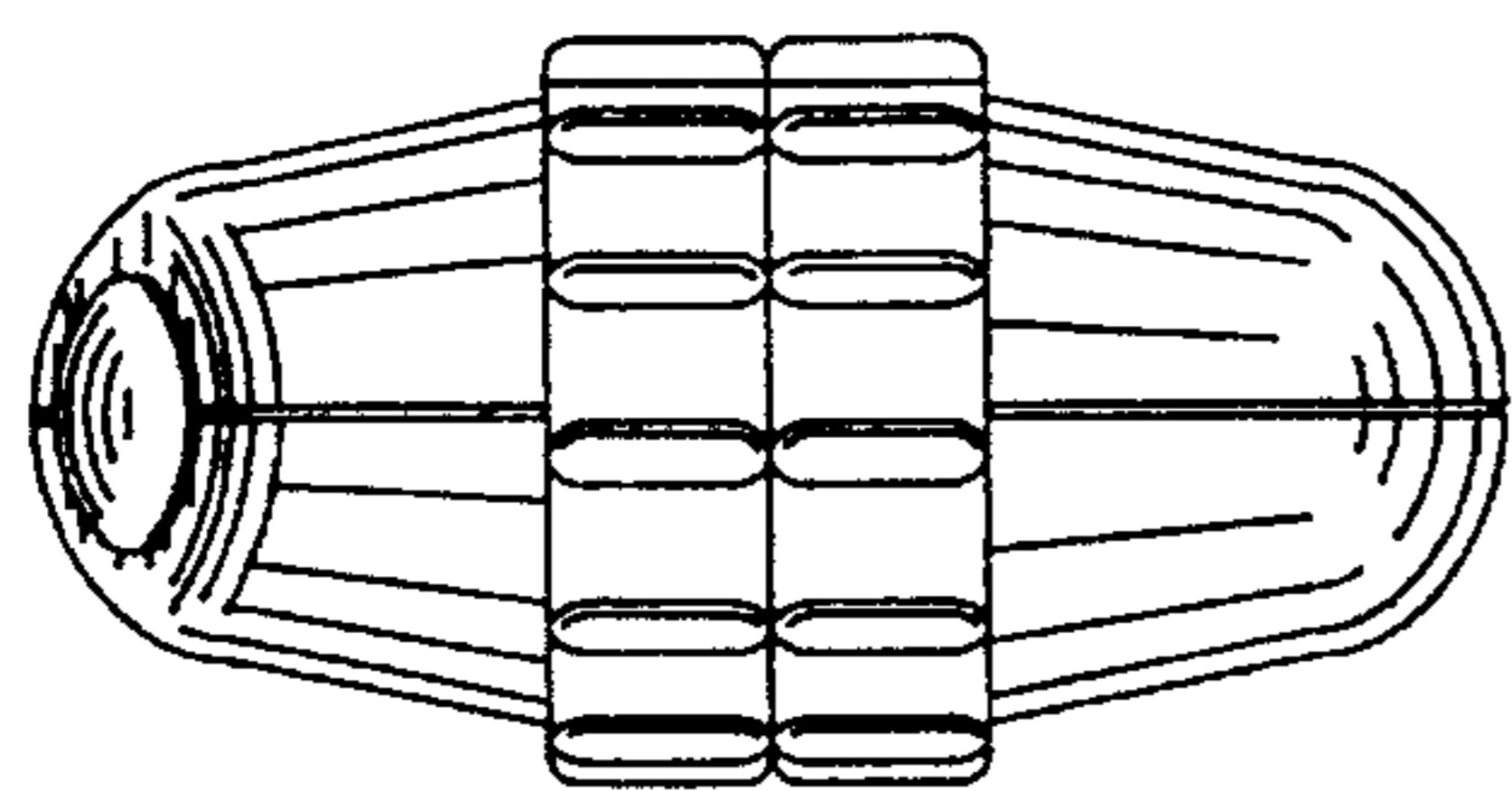


FIG. 4

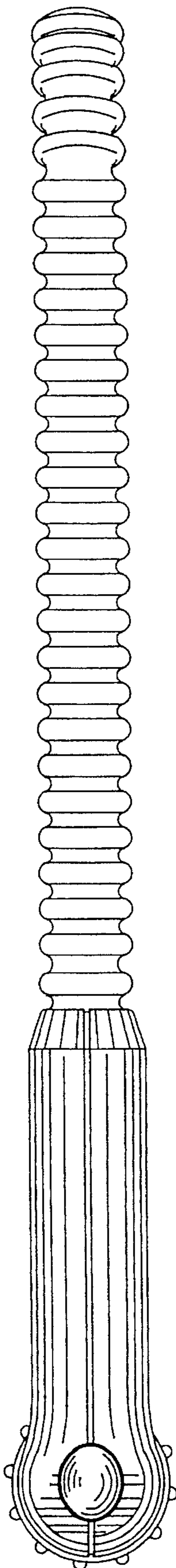


FIG. 6

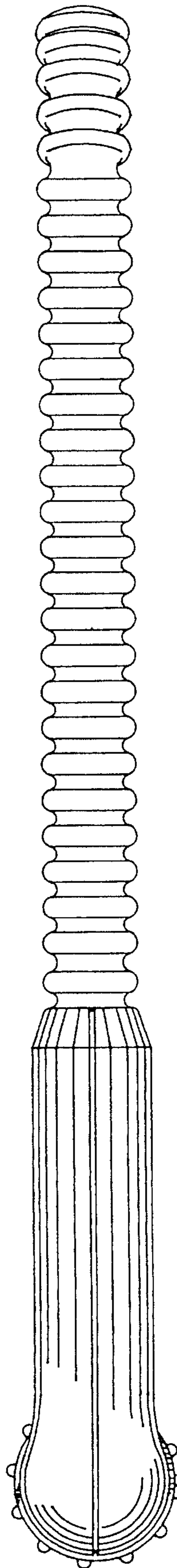


FIG. 7