



US00D373640S

United States Patent [19]

[11] Patent Number: **Des. 373,640**

Young

[45] Date of Patent: ****Sep. 10, 1996**

[54] **COMBINED HAND HELD MASSAGER AND WRIST MOUNTED CONTROL**

[75] Inventor: **James V. Young**, University Park, Mo.

[73] Assignee: **General Physiotherapy**, Earth City, Mo.

[**] Term: **14 Years**

[21] Appl. No.: **39,303**

[22] Filed: **May 22, 1995**

[52] U.S. Cl. **D24/215**

[58] Field of Search D24/215, 200;
601/46, 67, 70, 101

[56] **References Cited**

U.S. PATENT DOCUMENTS

| | | | | |
|------------|---------|--------------|-------|-----------|
| D. 199,380 | 10/1964 | Kellogg | | D24/214 |
| D. 345,424 | 3/1994 | Gudeein | | D24/215 |
| 3,671,785 | 6/1972 | Fuchs et al. | | D24/215 X |

Primary Examiner—Stella Reid

Attorney, Agent, or Firm—Polster, Lieder Woodruff & Lucchesi, LC

[57] **CLAIM**

The ornamental design for a combined hand held massager and wrist mounted control, as shown and described.

DESCRIPTION

FIG. 1 is an isometric view of a combined hand-held

massager and wrist mounted control illustrating my unique ornamental design;

FIG. 2 is a front elevational view thereof;

FIG. 3 is a rear elevational view thereof;

FIG. 4 is a top plan thereof;

FIG. 5 is a bottom plan thereof;

FIG. 6 is an end plan thereof;

FIG. 7 is an end plan of the end opposite that shown in FIG. 6;

FIG. 8 is an isometric view of a combined hand-held massager and wrist mounted control, including the wrist-mounted control, illustrating my unique ornamental design;

FIG. 9 is a front elevational view thereof;

FIG. 10 is a rear elevational view thereof;

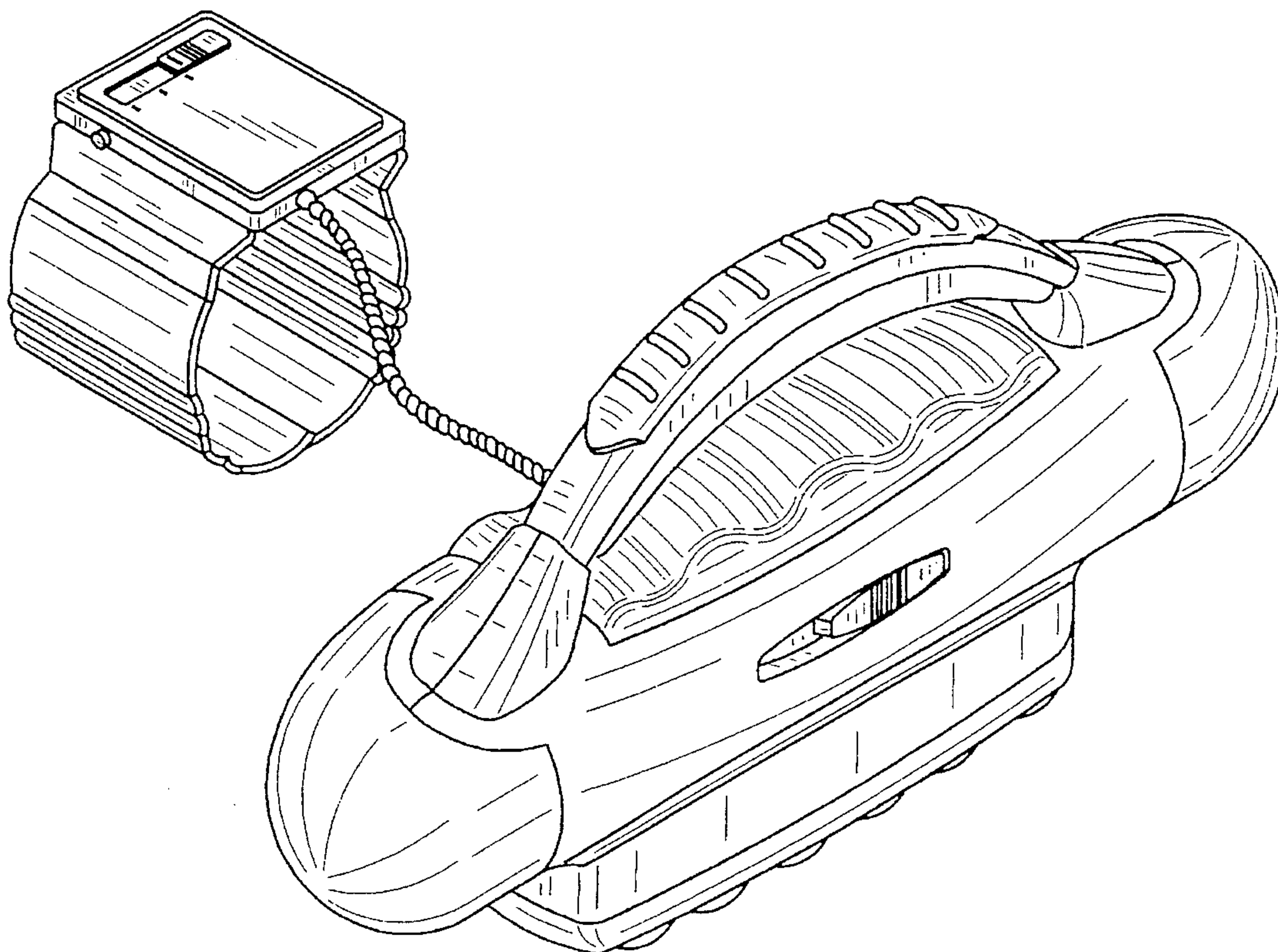
FIG. 11 is a top plan thereof;

FIG. 12 is a bottom plan thereof;

FIG. 13 is an end plan thereof; and,

FIG. 14 is an end plan of the end opposite that shown in FIG. 13.

1 Claim, 5 Drawing Sheets



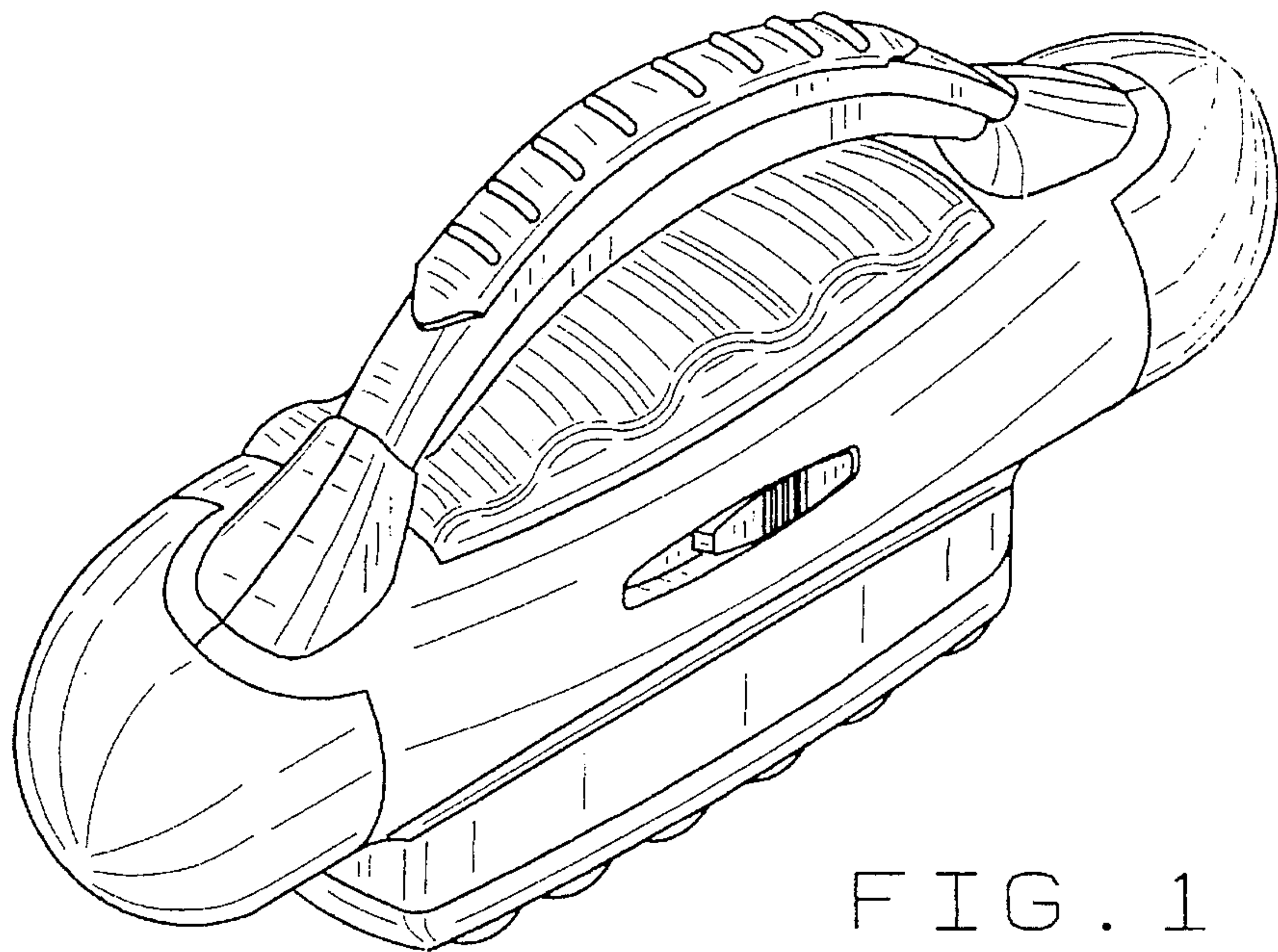


FIG. 1

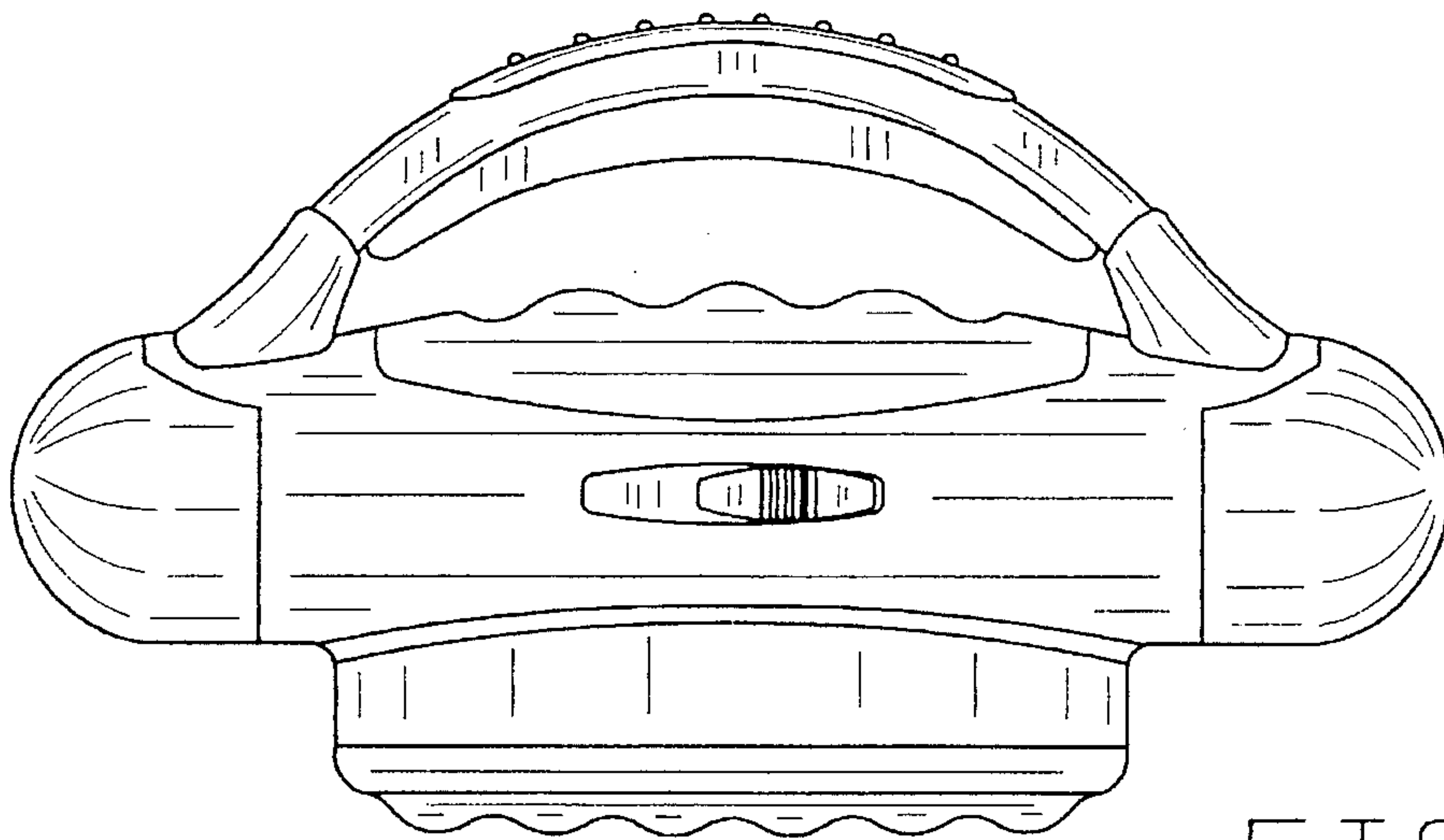


FIG. 2

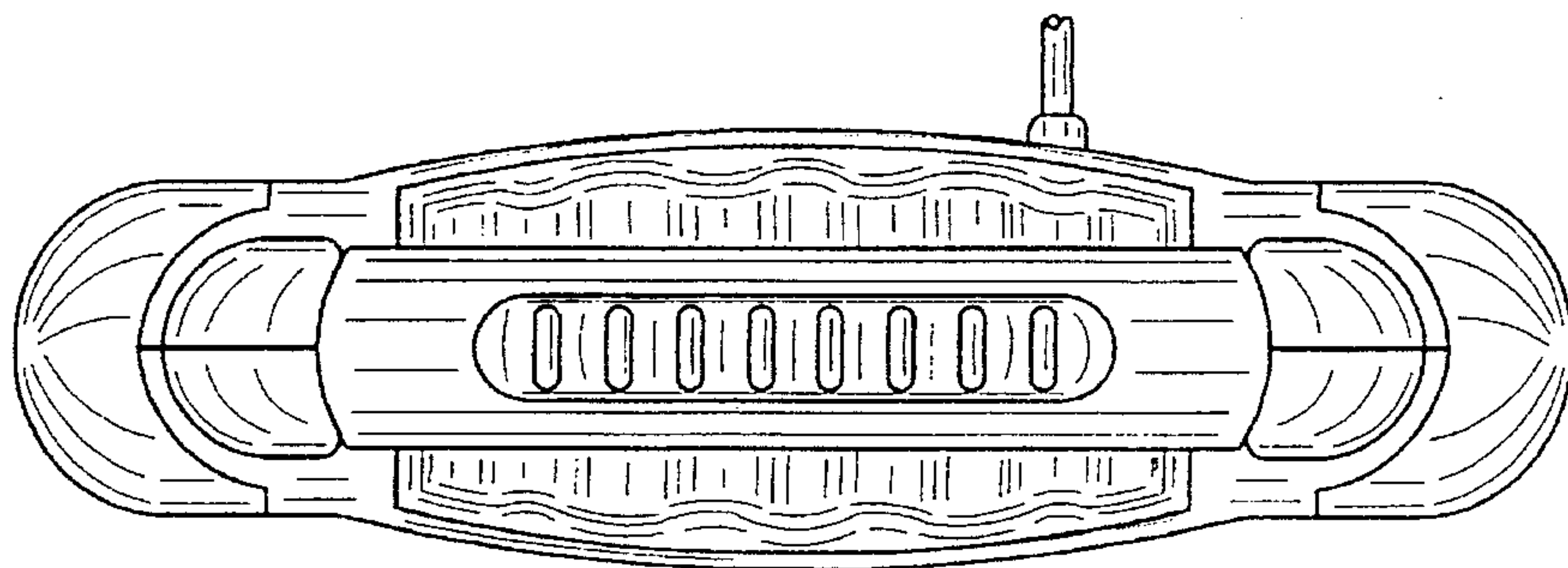


FIG. 4

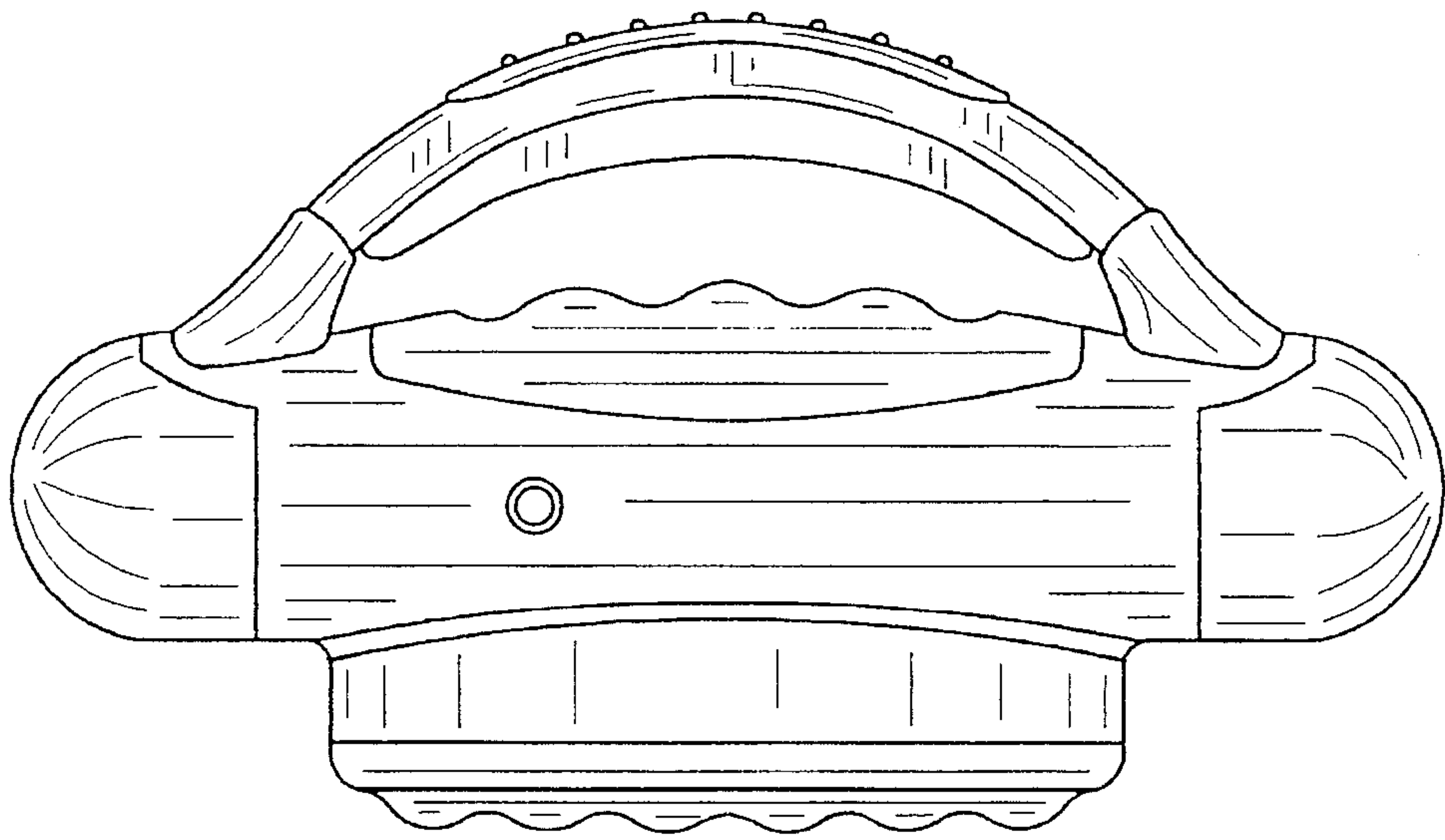


FIG. 3

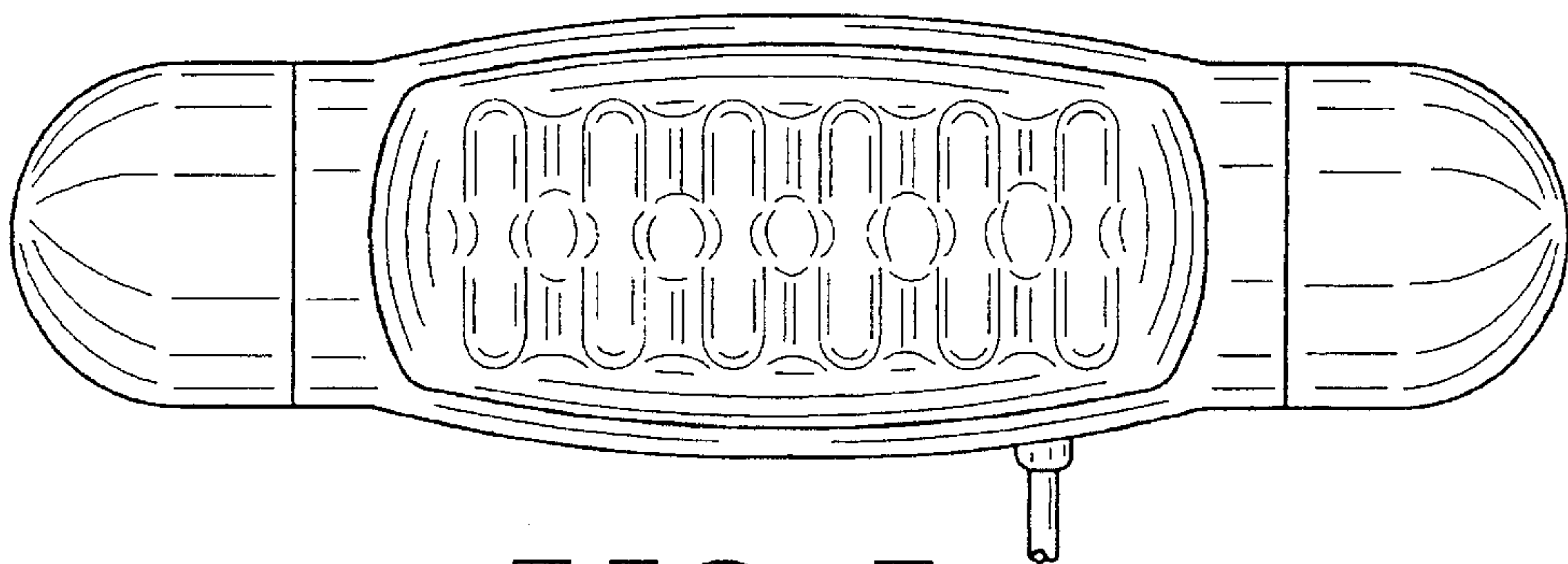


FIG. 5

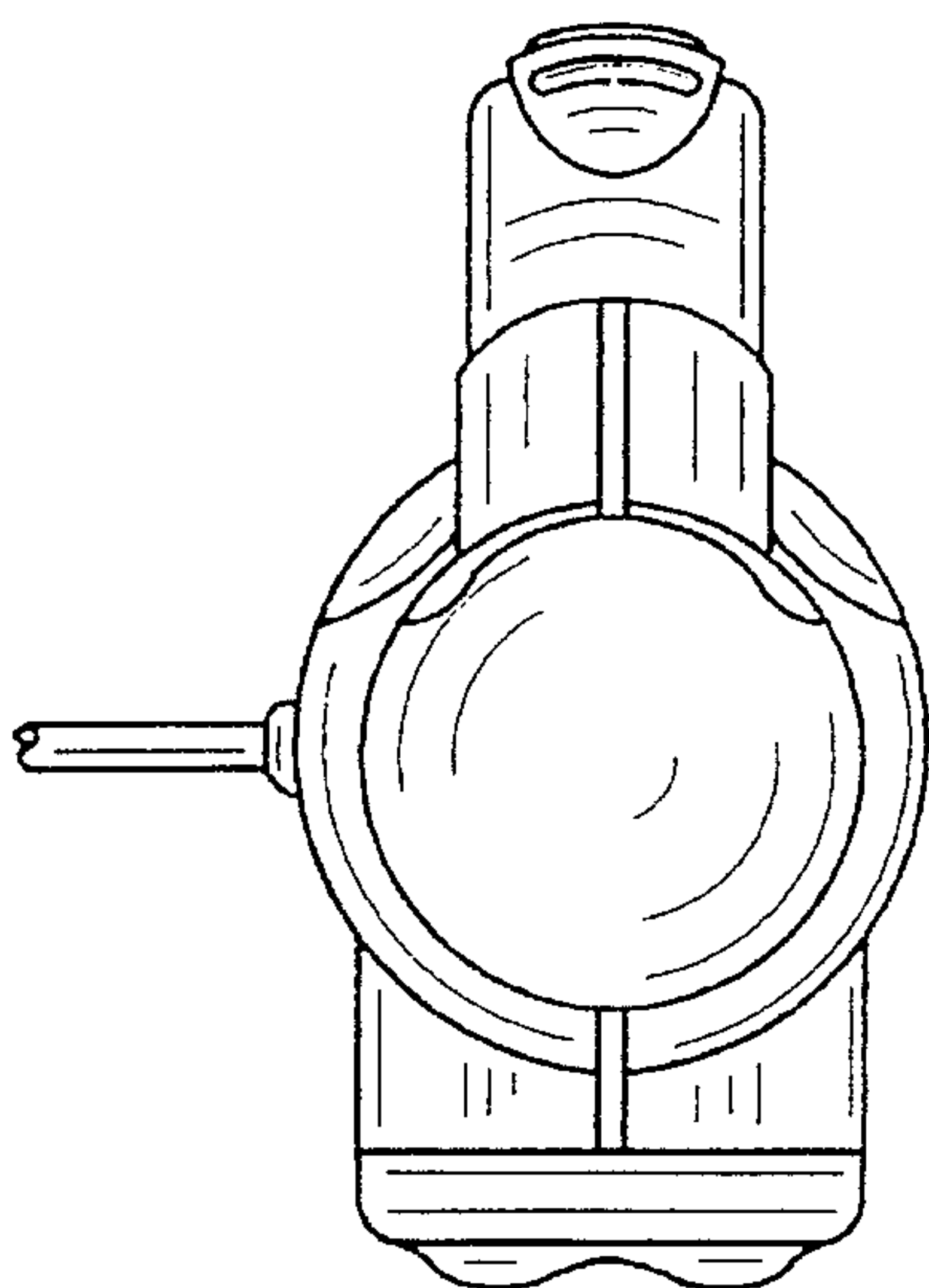


FIG. 6

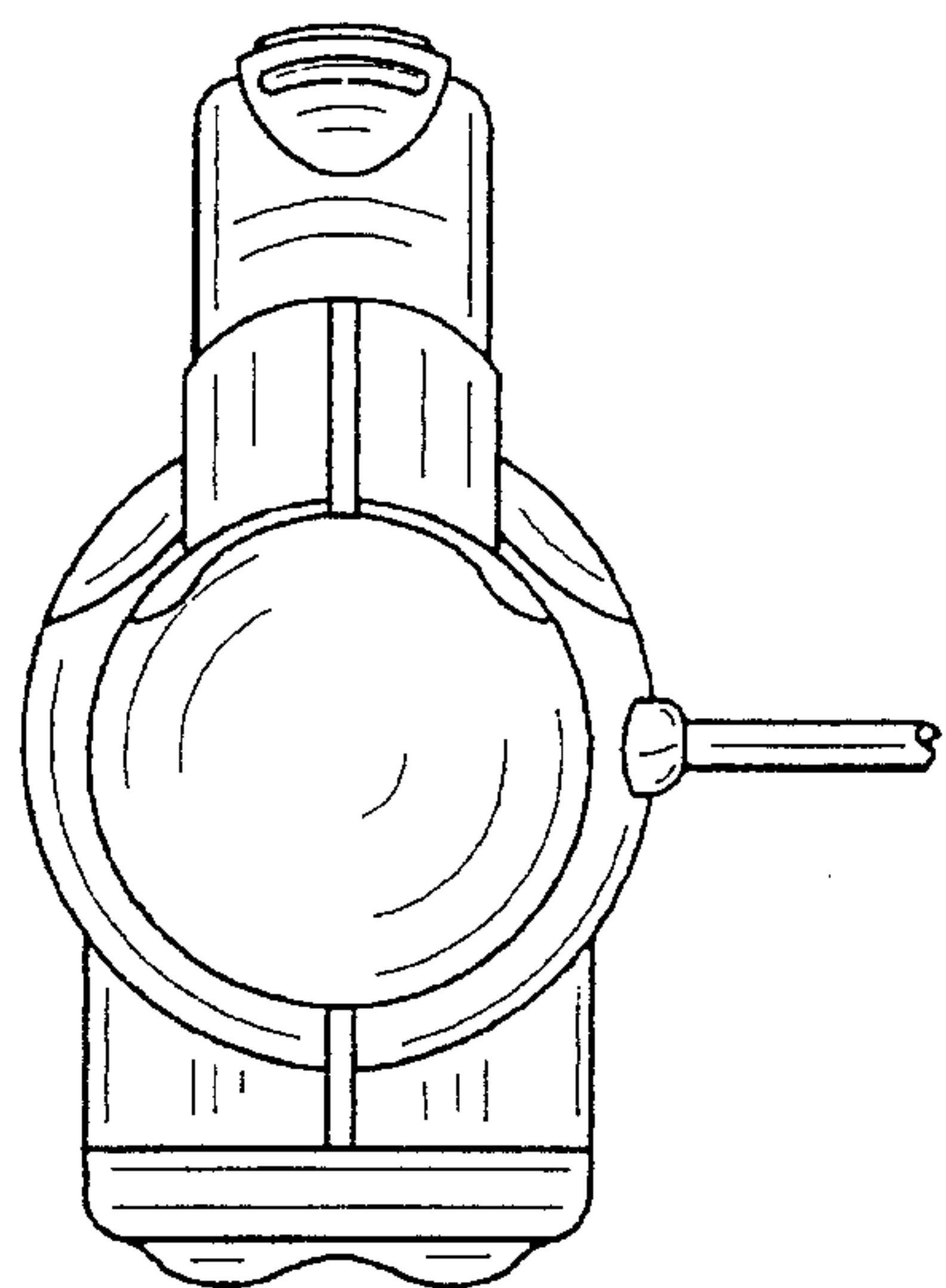


FIG. 7

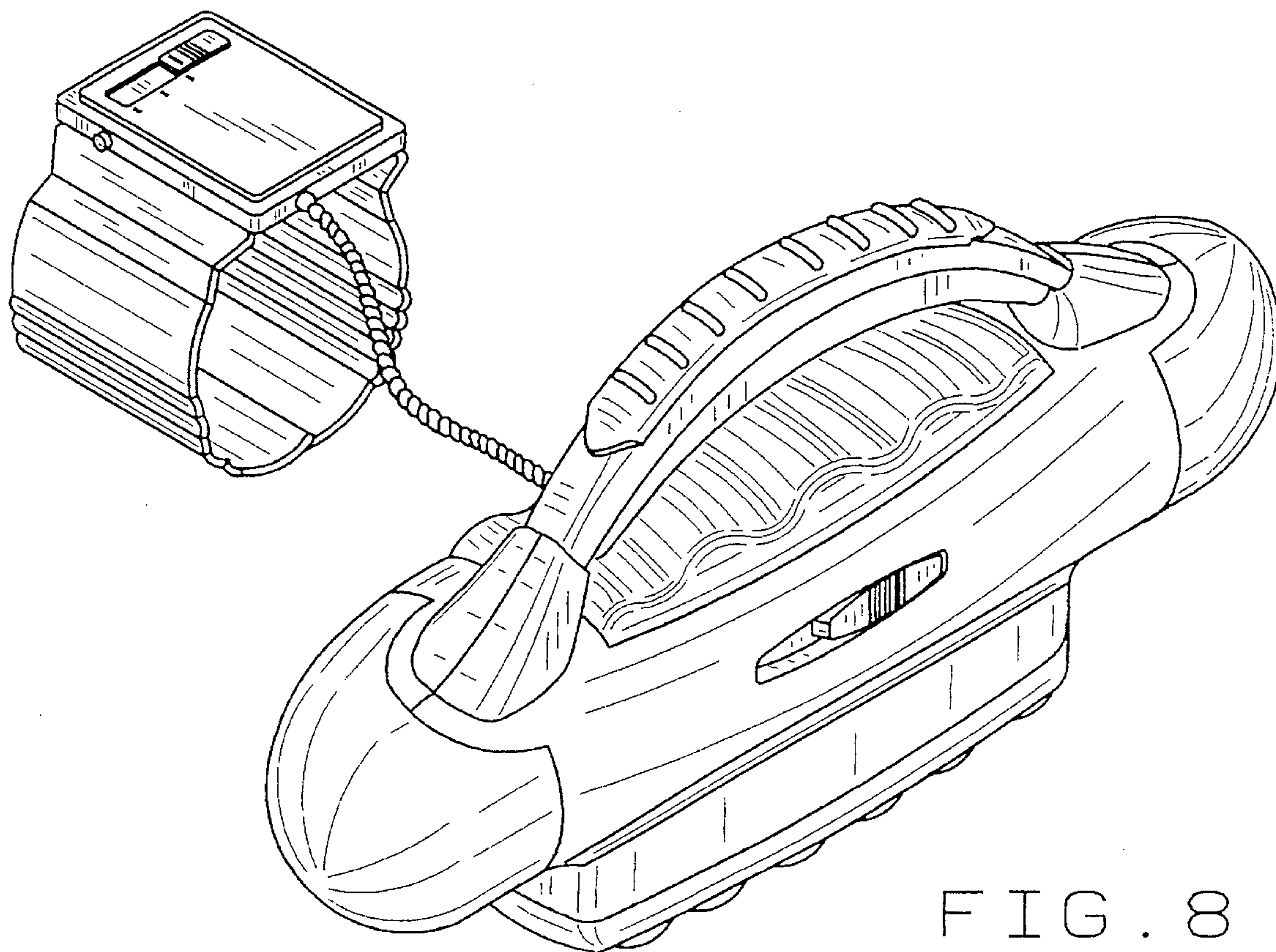


FIG. 8

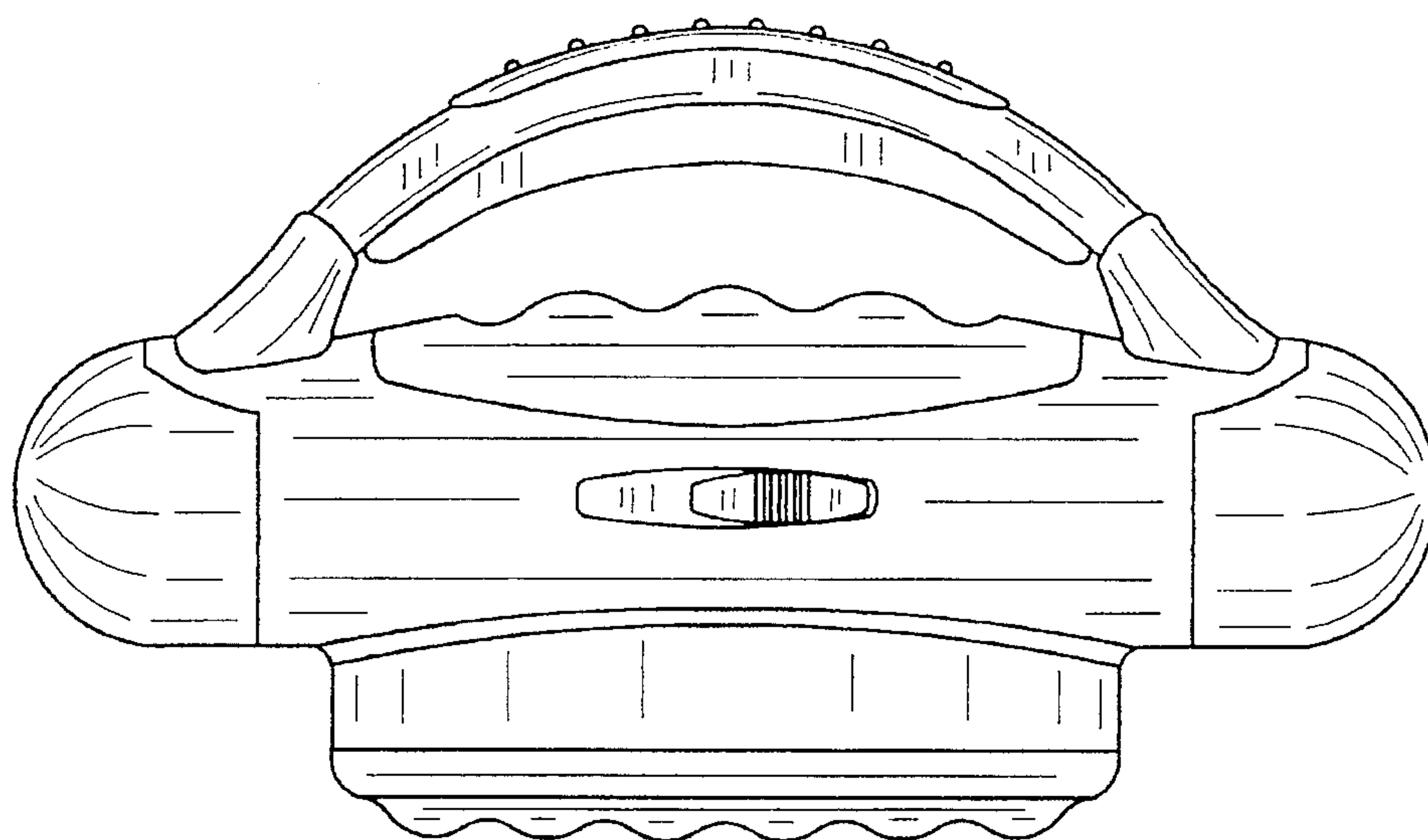


FIG. 9

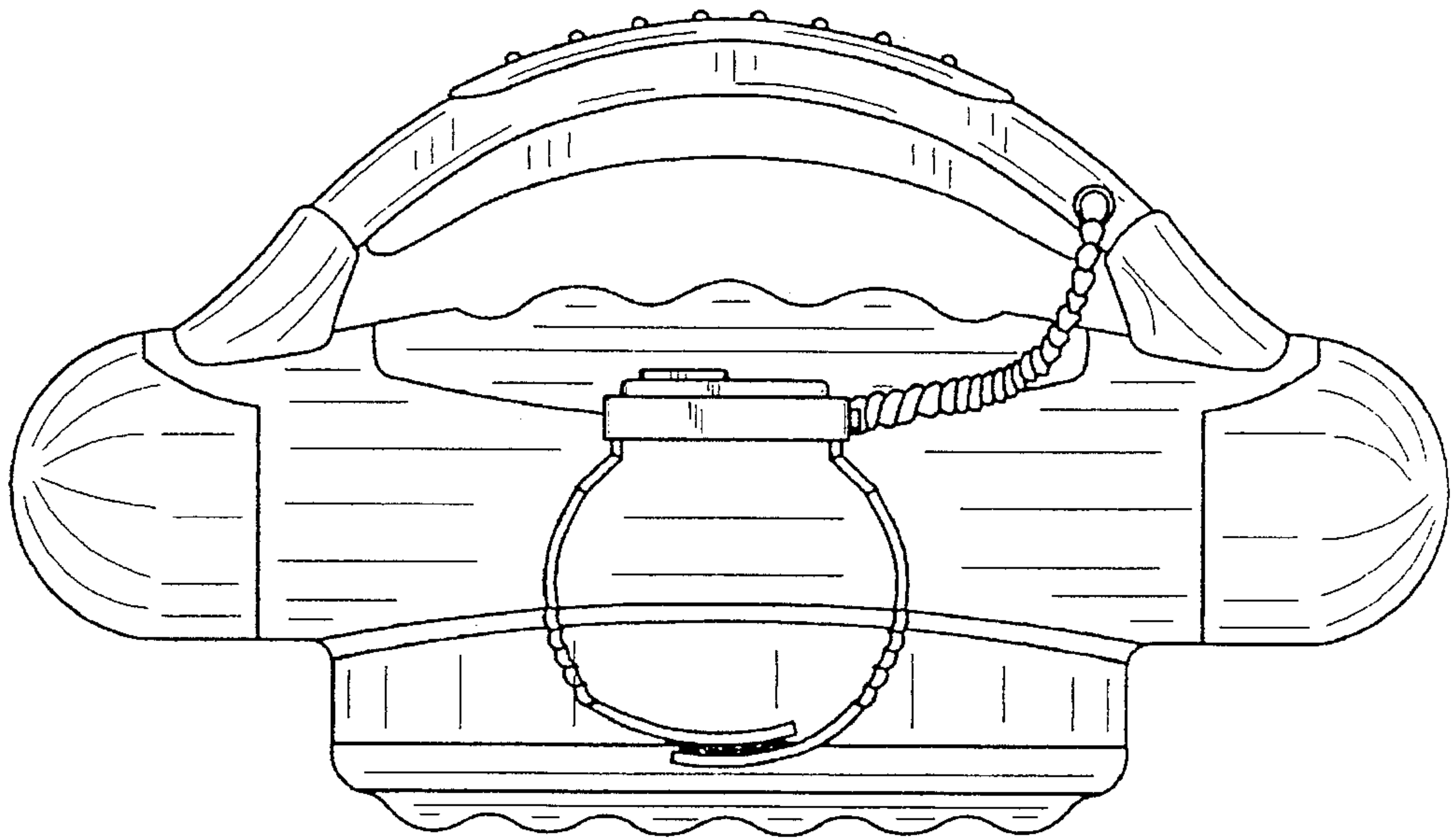


FIG. 10

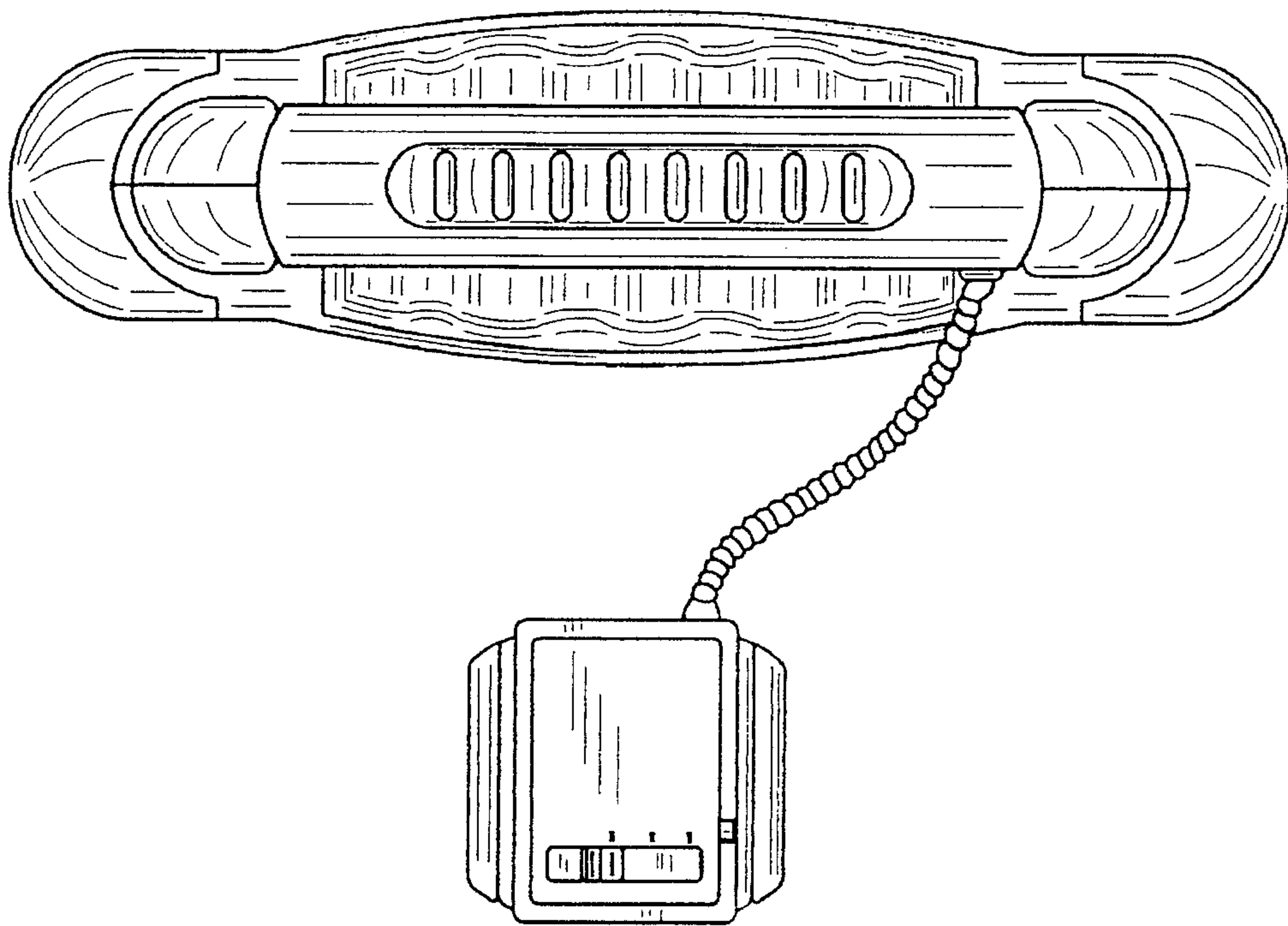


FIG. 11

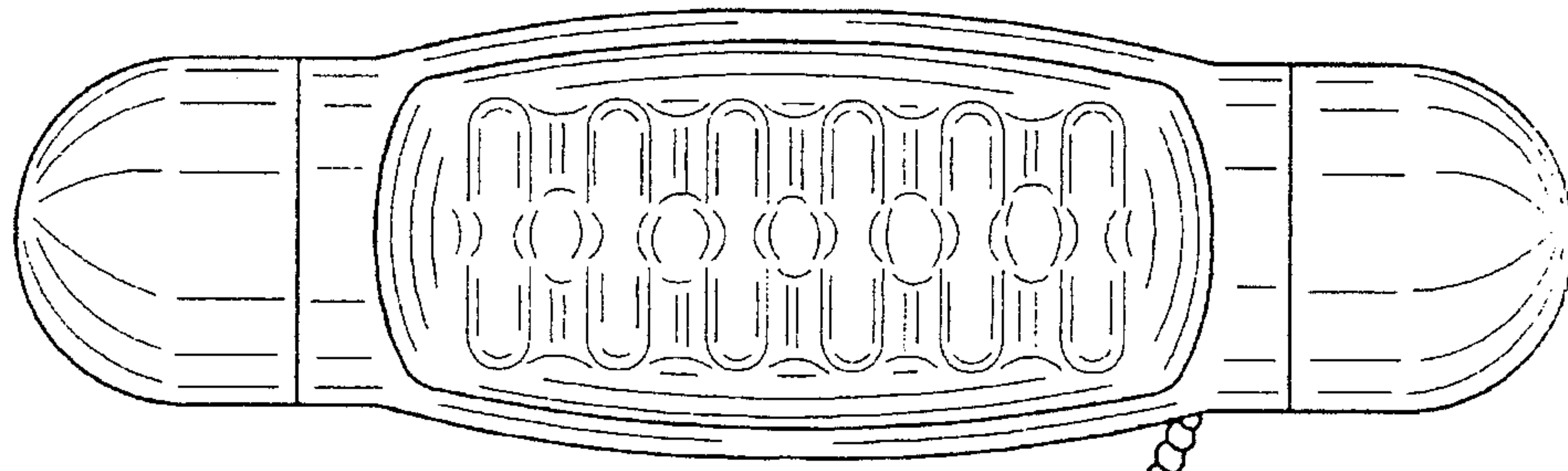


FIG. 12

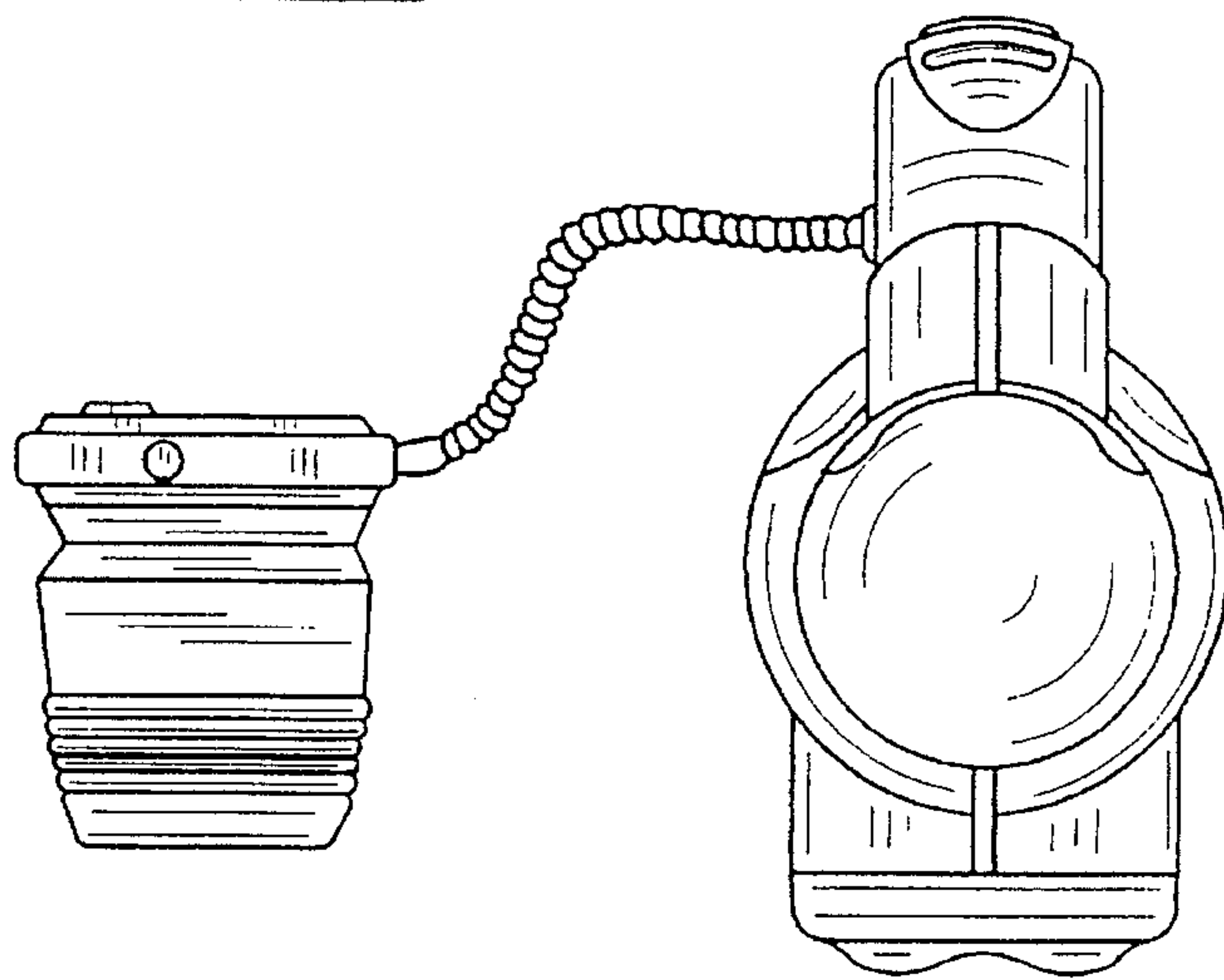
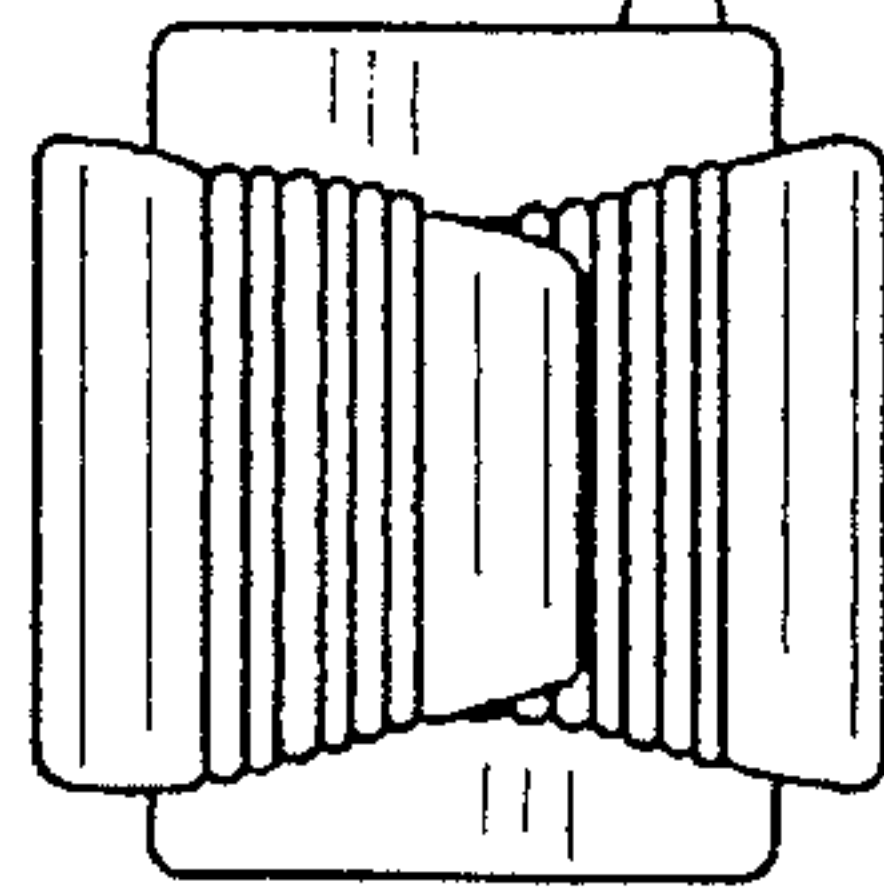


FIG. 13

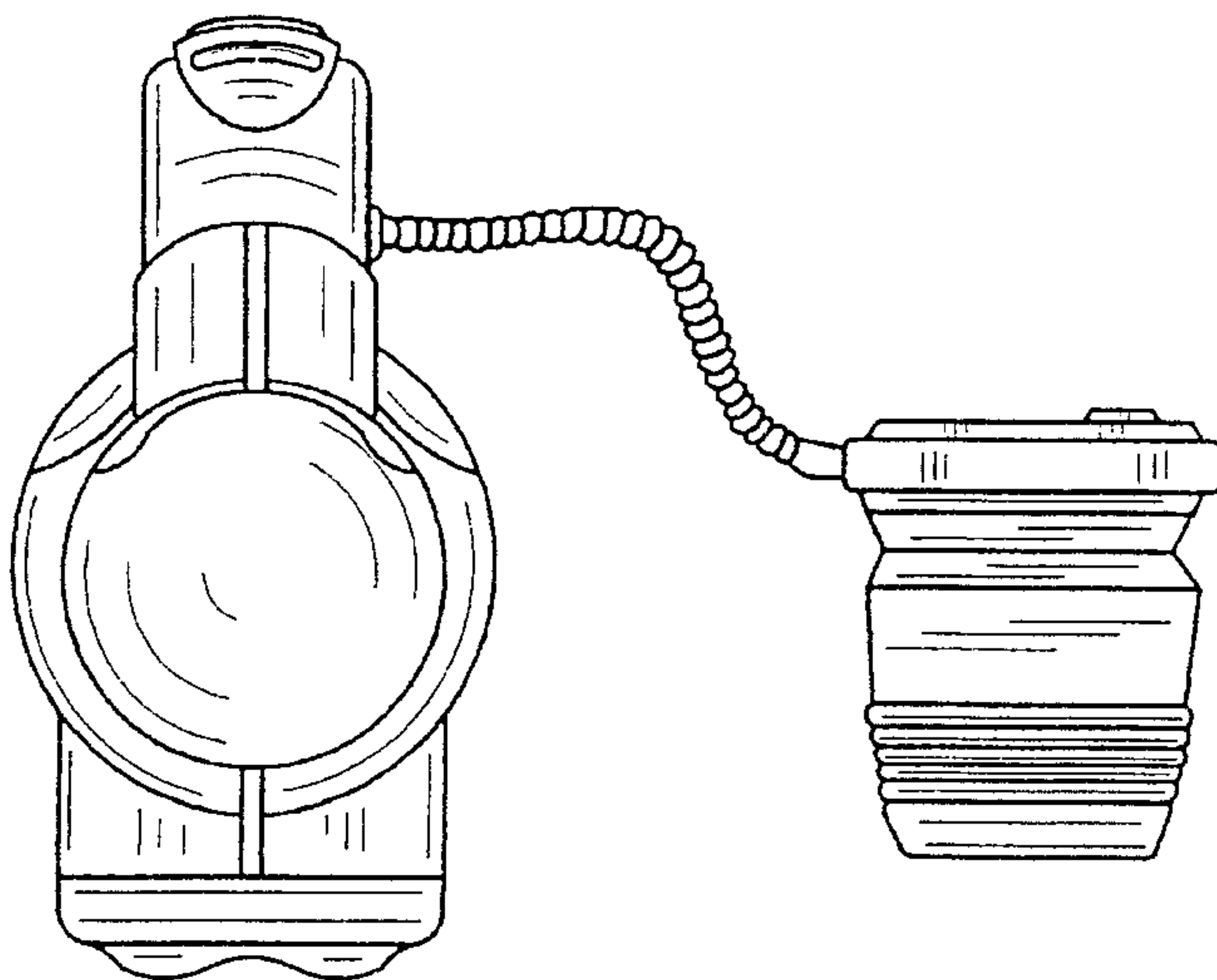


FIG. 14