



US00D373638S

# United States Patent [19] Colbert

[11] **Patent Number: Des. 373,638**  
[45] **Date of Patent: \*\*Sep. 10, 1996**

[54] **ORTHODONTIC BRACKET**  
[76] Inventor: **Earl J. Colbert**, 3696 Montego Dr.,  
Huntington Beach, Calif. 92649  
[\*\*] Term: **14 Years**  
[21] Appl. No.: **34,539**  
[22] Filed: **Feb. 7, 1995**  
[52] U.S. Cl. .... **D24/180**  
[58] Field of Search ..... **D24/180, 176;**  
**433/1, 2, 8, 18, 9, 17**

D. 331,975 12/1992 Pospisil ..... D24/180  
D. 340,523 10/1993 Barngrover ..... D24/180

*Primary Examiner*—Kay H. Chin  
*Attorney, Agent, or Firm*—Lawrence L. Colbert

### [57] CLAIM

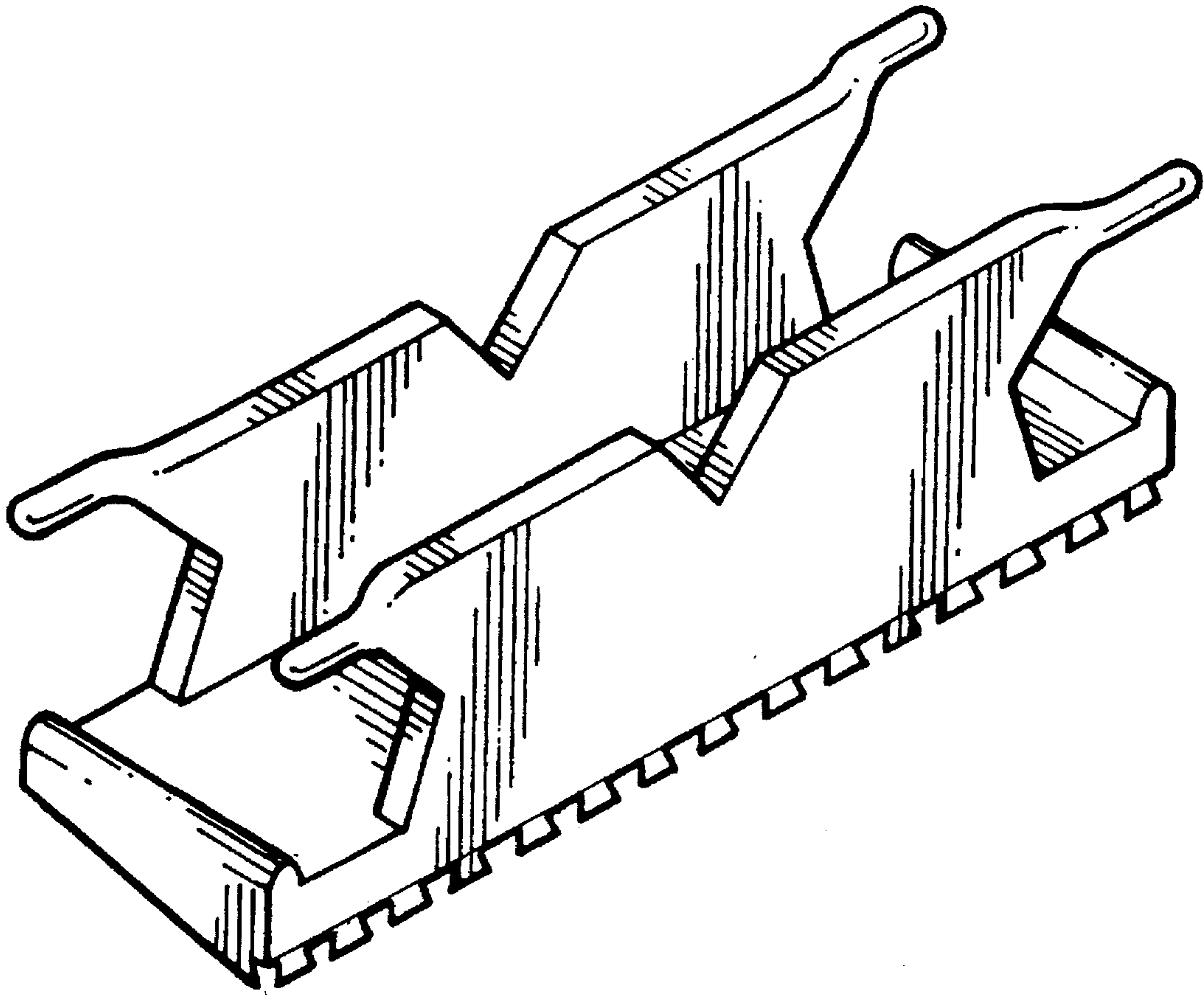
The ornamental design for an orthodontic bracket, as shown and described.

### DESCRIPTION

FIG. 1 is a perspective view of an orthodontic bracket showing my new design;  
FIG. 2 is a bottom plan view;  
FIG. 3 is a top plan view;  
FIG. 4 is a side elevational view; and,  
FIG. 5 is an end elevational view of FIGS. 1 and 4.

[56] **References Cited**  
**U.S. PATENT DOCUMENTS**  
D. 302,588 8/1989 Jones ..... D2/180  
D. 315,957 4/1991 Kelly et al. .... D24/180  
D. 322,482 12/1991 Ianieri et al. .... D24/180

**1 Claim, 1 Drawing Sheet**



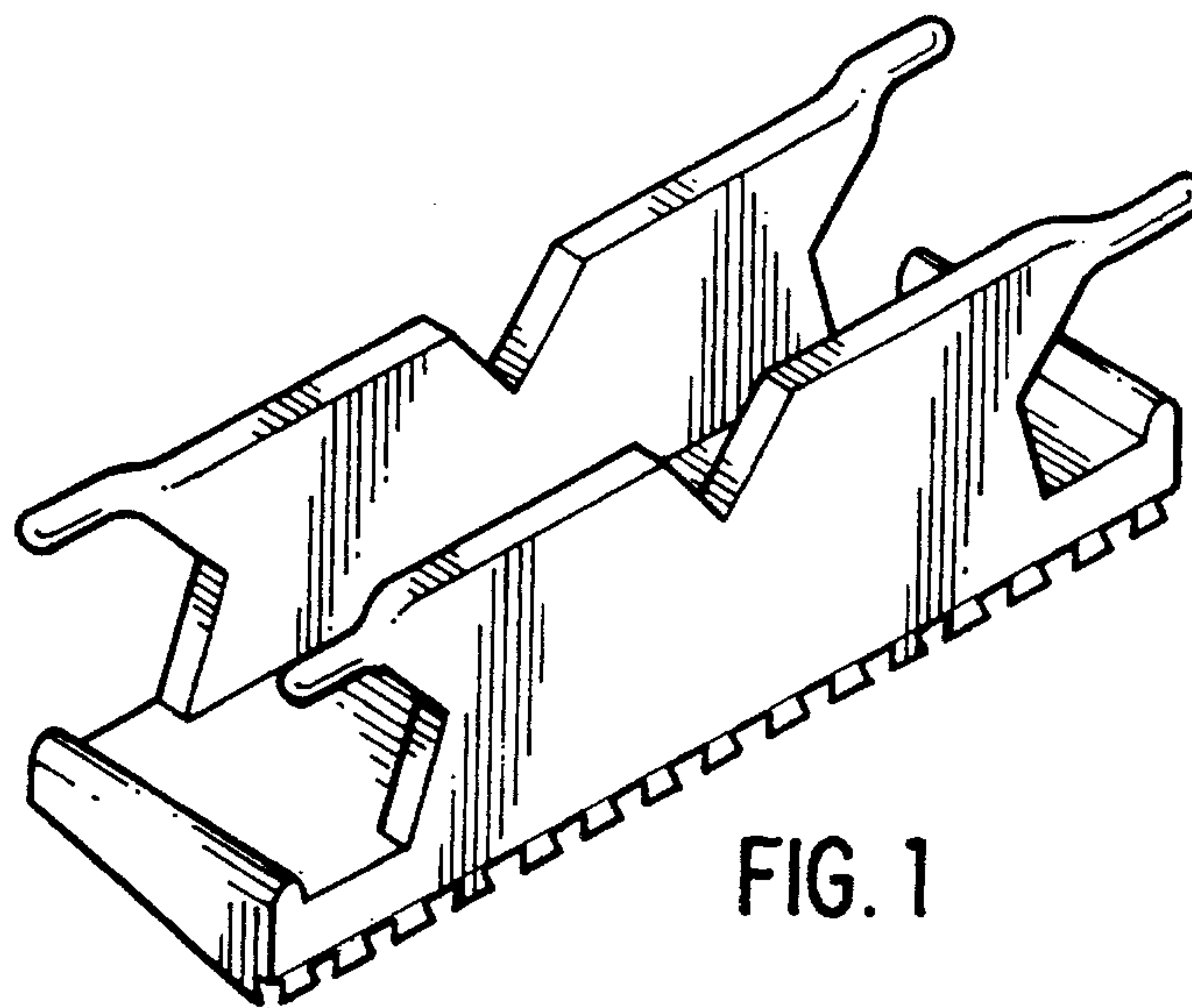


FIG. 1

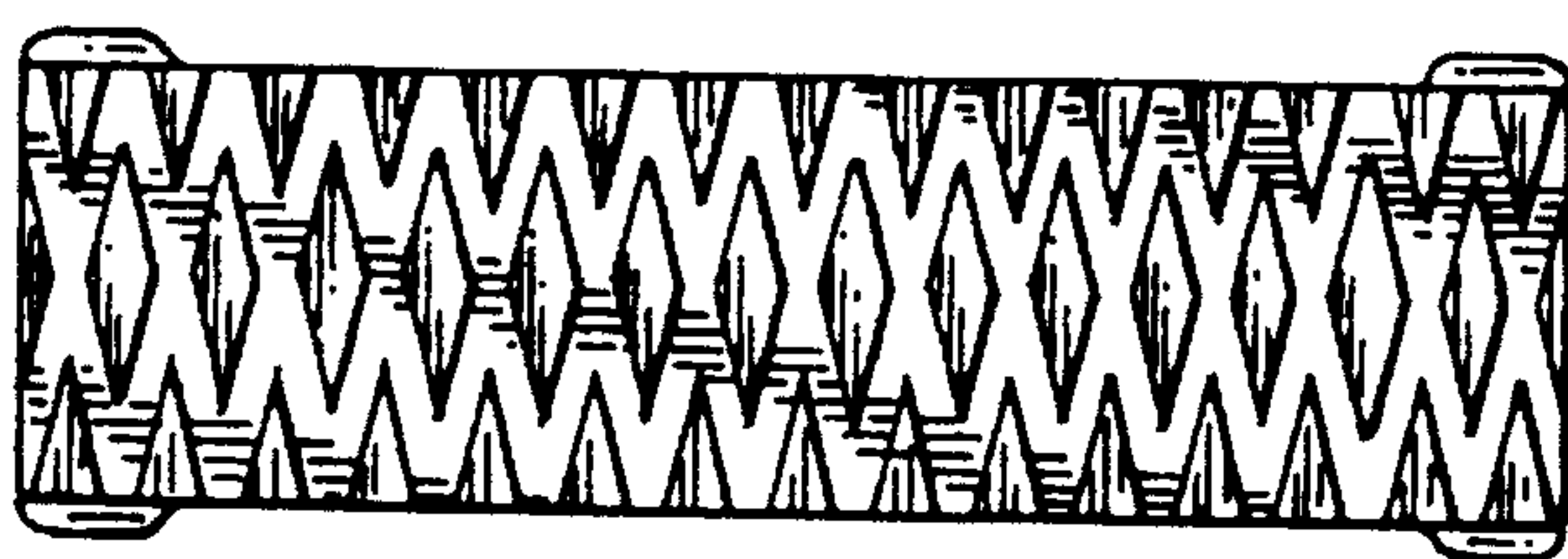


FIG. 2

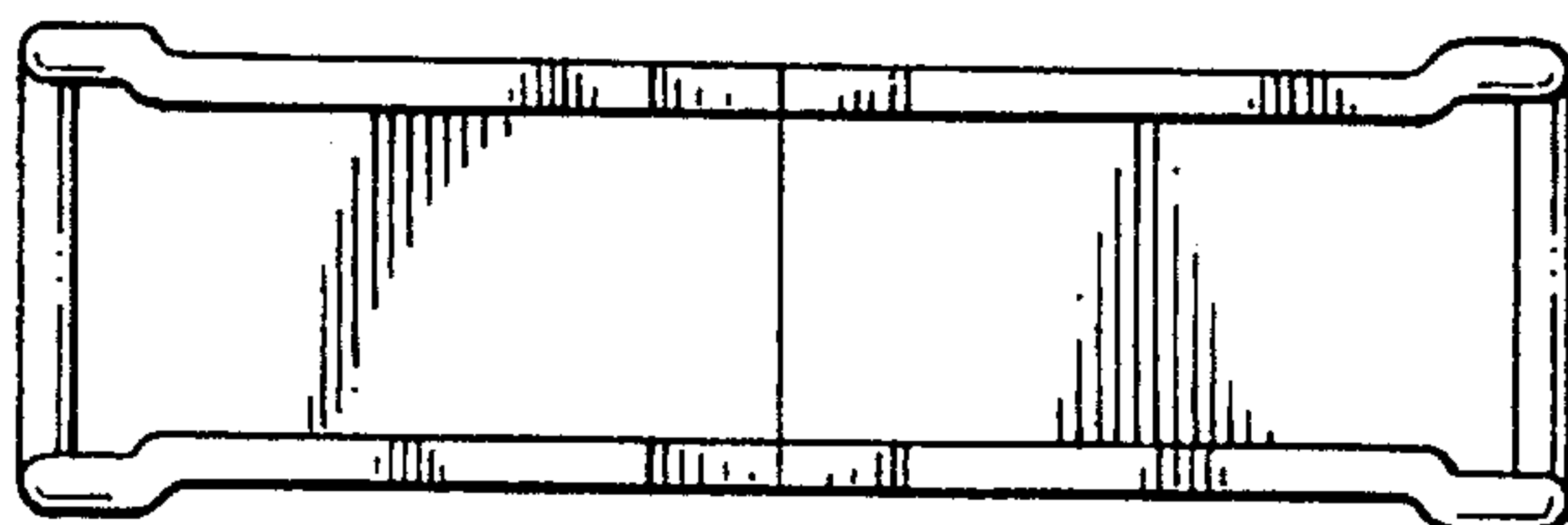


FIG. 3

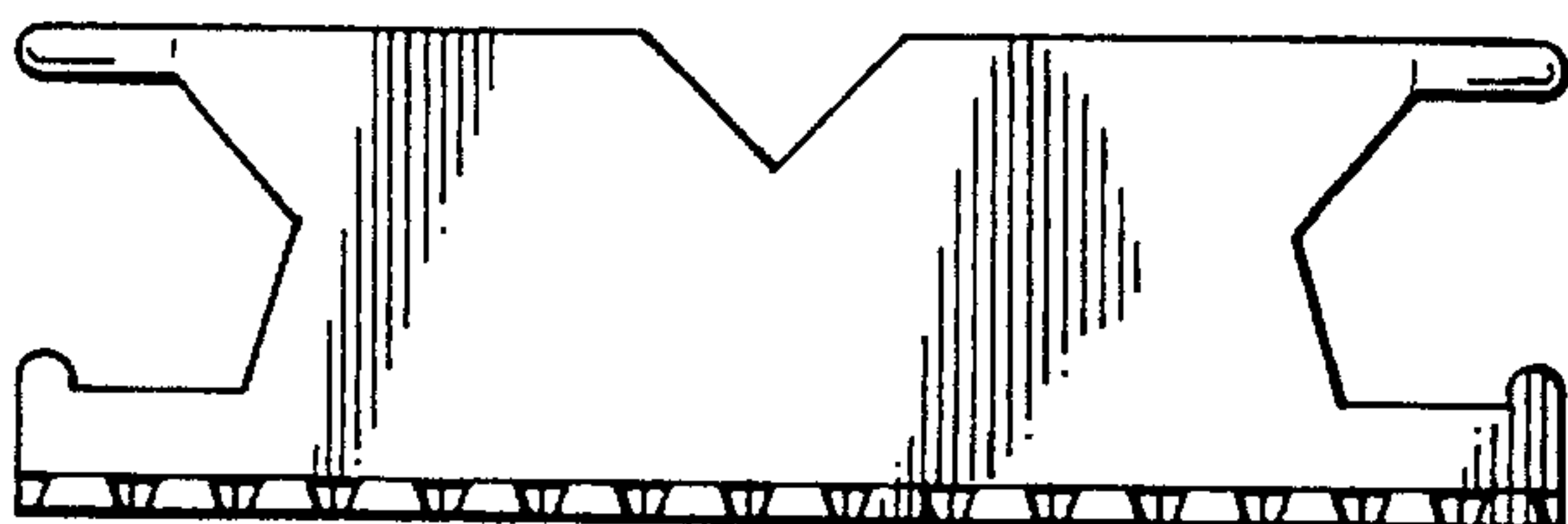


FIG. 4

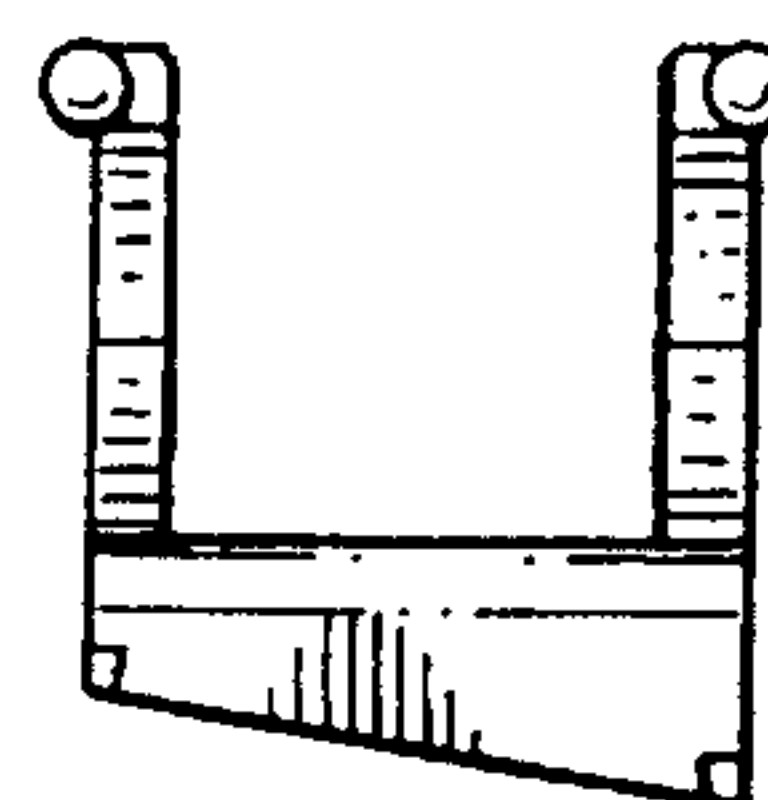


FIG. 5