



US00D373637S

United States Patent [19]

Spearman

[11] **Patent Number: Des. 373,637**

[45] **Date of Patent: **Sep. 10, 1996**

[54] **BOX FILTER**

[75] Inventor: **Michael R. Spearman**, St. Paul, Minn.

[73] Assignee: **Porous Media Corporation**, St. Paul, Minn.

[**] Term: **14 Years**

[21] Appl. No.: **38,534**

[22] Filed: **May 8, 1995**

[52] U.S. Cl. **D24/162**

[58] Field of Search D24/162; D23/209;
210/445, 446, 451, 493.2, 493.3, 769, 770;
55/497, 521, 514, DIG. 31; 128/205.12,
205.17, 205.27

D. 357,737	4/1995	Spearman	D24/162
3,765,536	10/1973	Rosenberg	.	
3,815,754	6/1974	Rosenberg	.	
4,014,797	3/1977	Raines et al.	.	
4,187,182	2/1980	Rosenberg	.	
5,195,527	3/1993	Hicks	D24/162 X
5,376,270	12/1994	Spearman	210/445

Primary Examiner—Stella Reid
Attorney, Agent, or Firm—Marshall & Melhorn

[57] CLAIM

The ornamental design for a box filter, as shown and described.

DESCRIPTION

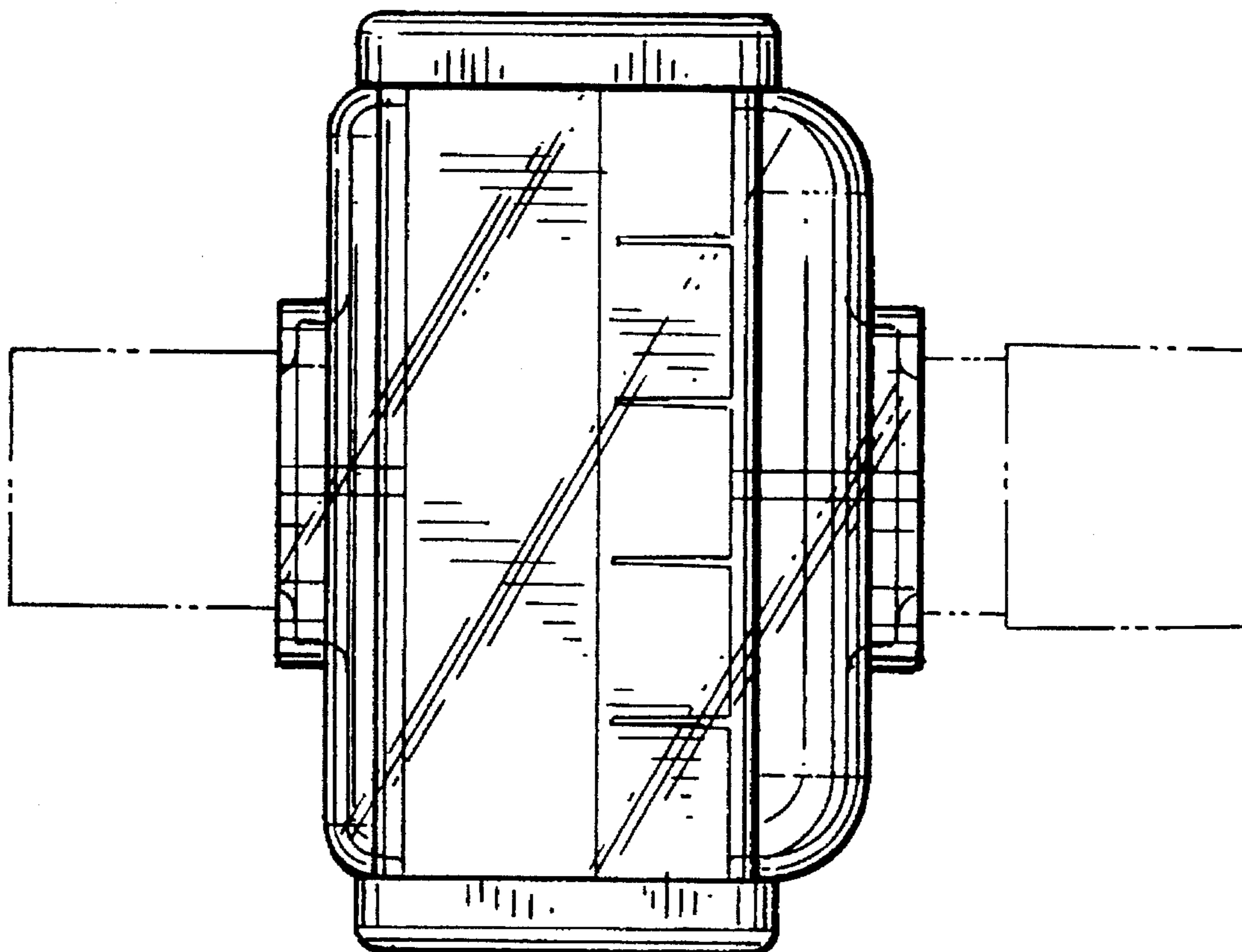
FIG. 1 is a side elevational view of a box filter, showing my new design, the opposite elevational view being a mirror image thereof; the broken line showing is for illustrative purposes only and forms no part of the claimed design; FIG. 2 is a right end elevational view thereof; FIG. 3 is a left end elevational view thereof; and, FIG. 4 is a top plan view thereof, the bottom plan view being identical thereto.

[56] References Cited

U.S. PATENT DOCUMENTS

D. 234,721	4/1975	Rosenberg .
D. 235,035	4/1975	Rosenberg .
D. 238,456	1/1976	Mouwen .
D. 247,252	2/1978	Rosenberg .
D. 260,175	8/1981	Hein et al. .
D. 267,117	11/1982	Rosenberg .

1 Claim, 1 Drawing Sheet



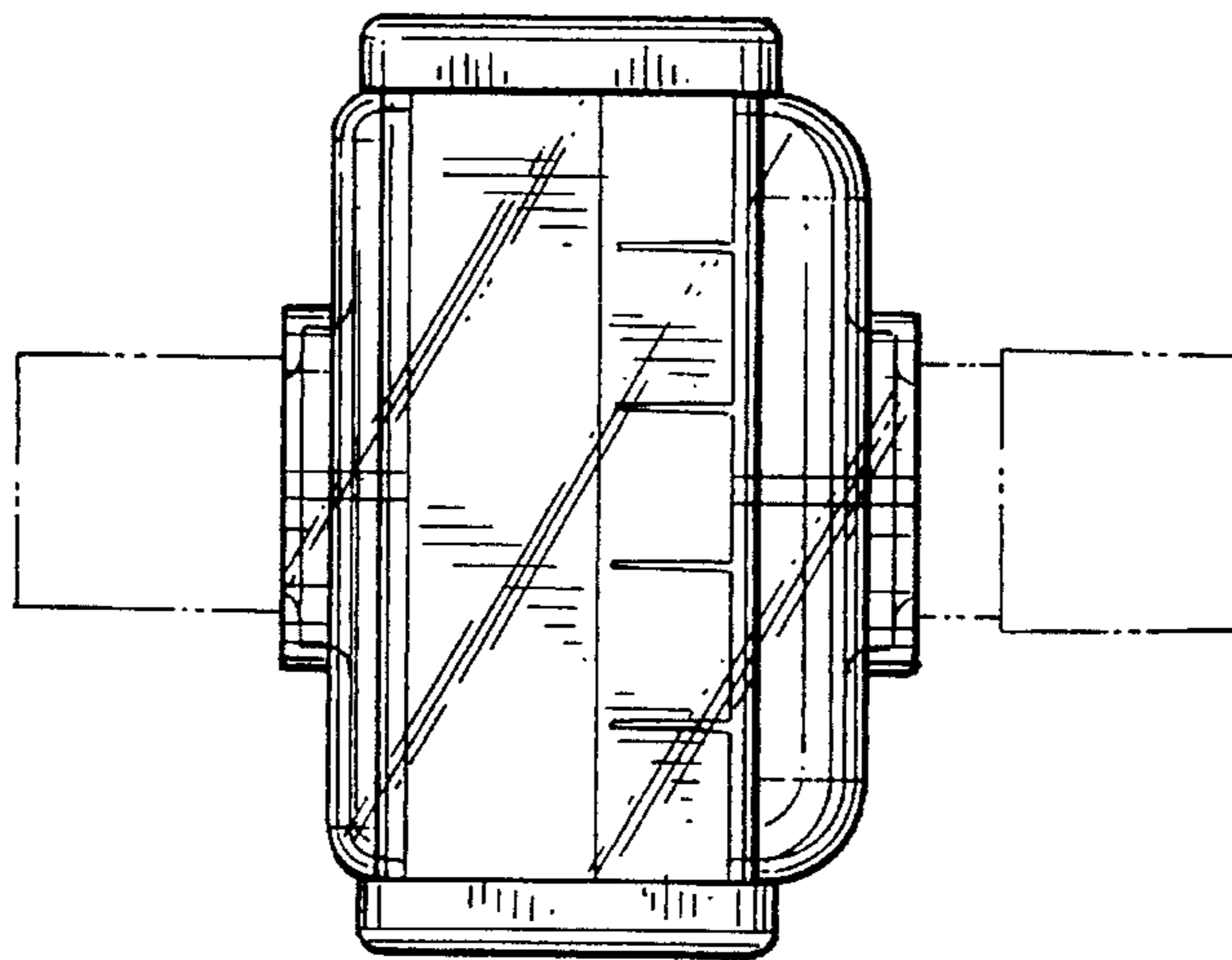


FIG. 1

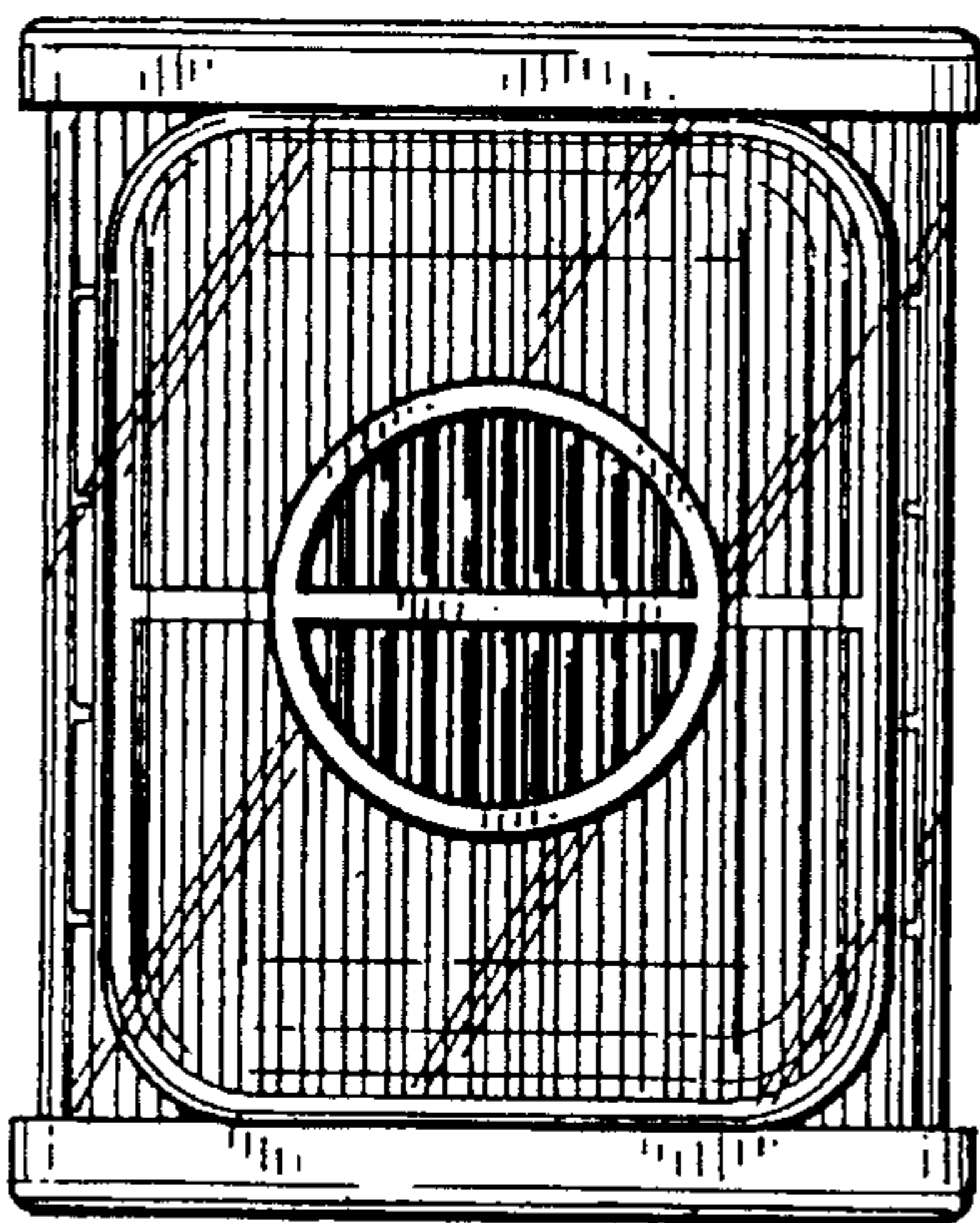


FIG. 2

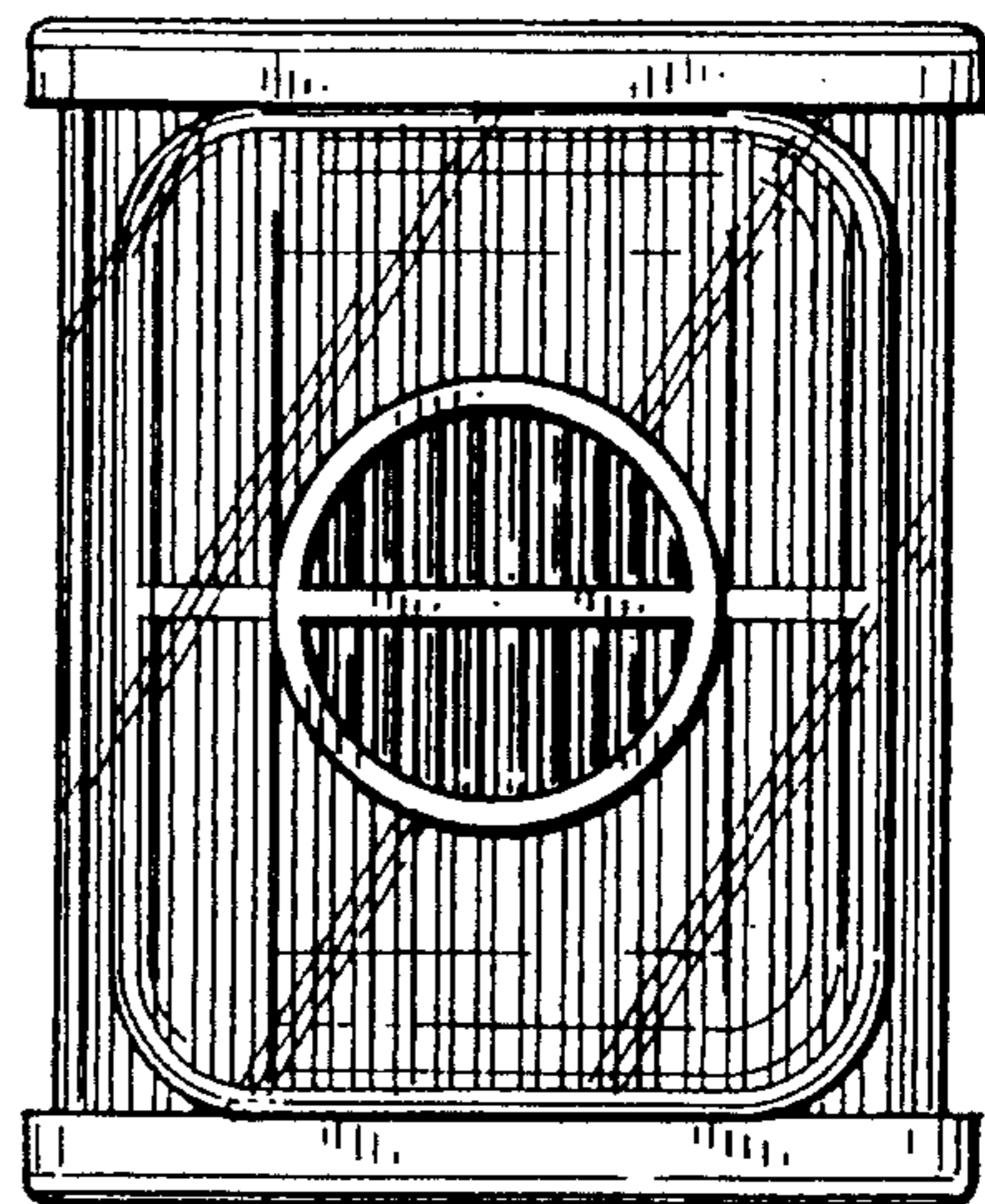


FIG. 3

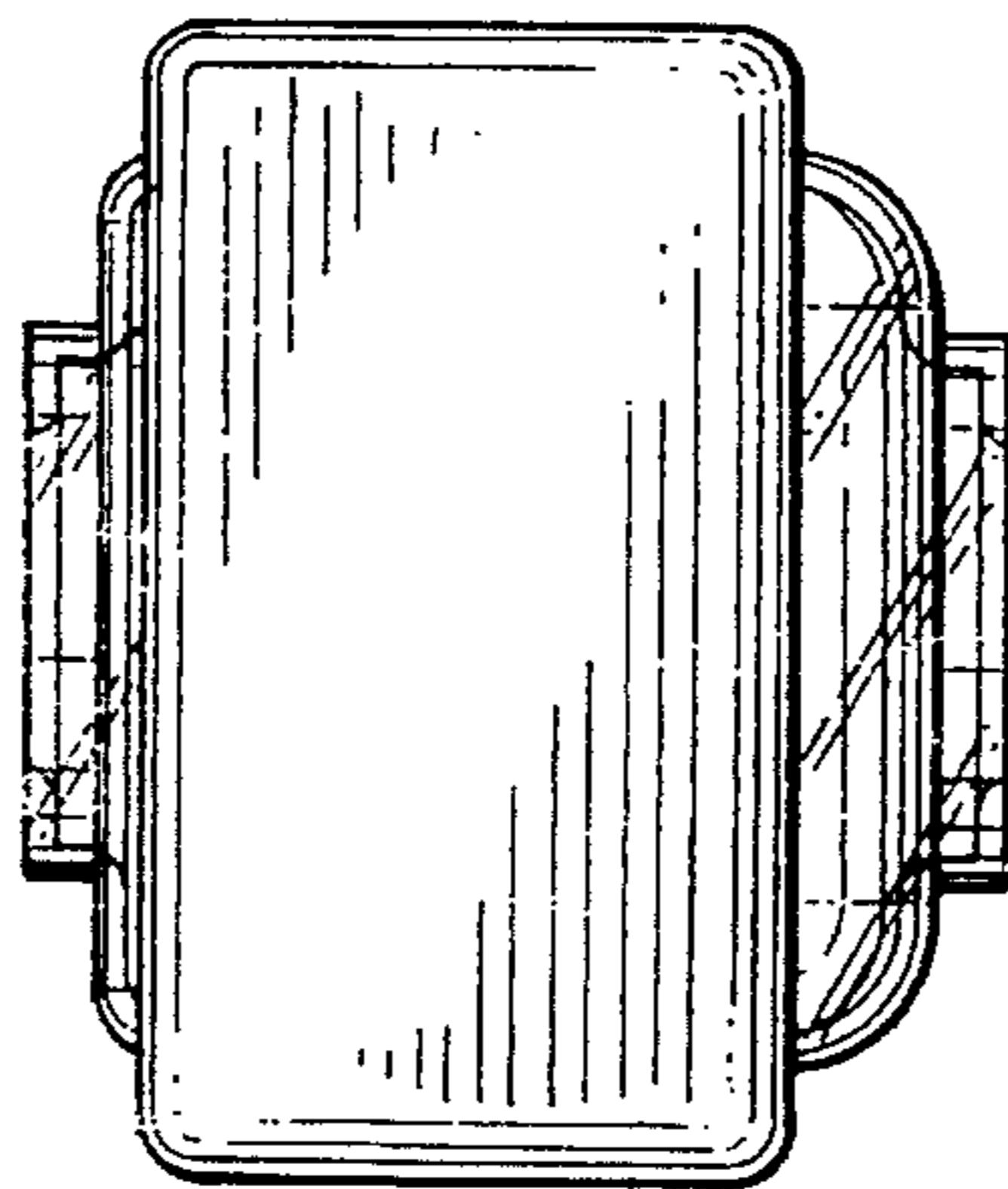


FIG. 4