



US00D373632S

# United States Patent [19]

Price et al.

[11] Patent Number: Des. 373,632

[45] Date of Patent: \*\*Sep. 10, 1996

[54] EXTERNAL FIXATION WIRE RETAINER

[75] Inventors: Gregory G. Price, Warsaw; Randall N. Allard, Plymouth, both of Ind.

[73] Assignee: Zimmer, Inc., Warsaw, Ind.

[\*\*] Term: 14 Years

[21] Appl. No.: 47,815

[22] Filed: Nov. 14, 1995

5,095,919	3/1992	Monticelli et al.	606/56
5,098,432	3/1992	Wagenknecht	606/54
5,112,331	5/1992	Miletich	606/53
5,167,661	12/1992	Wagenknecht	606/54
5,275,598	1/1994	Cook	606/54
5,300,072	4/1994	Aghion	606/59
5,300,075	4/1994	Gordon	606/53 X
5,330,476	7/1994	Hiot et al.	606/59 X
5,499,982	3/1996	Adamson	606/53

### FOREIGN PATENT DOCUMENTS

2499400 8/1982 France .

### Related U.S. Application Data

[62] Division of Ser. No. 25,126, Jun. 27, 1994, Pat. No. Des. 367,529.

[52] U.S. Cl. .... D24/127; D24/128; D24/130; D24/145

[58] Field of Search ..... D24/127, 128, D24/145, 140, 133; 606/53, 54, 59, 72, 73

### OTHER PUBLICATIONS

Zimmer, Inc.—Brochure—Torus External Fixation System—Lit. No. 97-2613-01 Rev. 1—1993.

Primary Examiner—Louis S. Zarfes

Assistant Examiner—I. Simmons

Attorney, Agent, or Firm—Margaret L. Geringer

### [57] CLAIM

The ornamental design for an external fixation wire retainer, as shown and described.

### References Cited

#### U.S. PATENT DOCUMENTS

D. 321,401	11/1991	Scanlan et al.	D24/155 X
D. 342,134	12/1993	Mongeon	D24/127
4,308,863	1/1982	Fischer	128/92 A
4,365,624	12/1982	Jaquet	128/92 A
4,535,763	8/1985	Jaquet	128/92 A
4,620,533	11/1986	Mears	128/92 Z
4,624,249	11/1986	Alvarez Cambras	128/92 ZK
4,688,560	8/1987	Schultz	606/59
4,768,524	9/1988	Hardy	128/92 Z
4,784,125	11/1988	Monticelli et al.	128/92 Z
4,889,111	12/1989	Ben-Dov	128/419 F
4,923,458	5/1990	Fischer	606/59
4,936,843	6/1990	Sohngen	606/54
4,941,481	7/1990	Wagenknecht	606/59
4,976,712	12/1990	Vander Slik	606/59
5,021,054	6/1991	Monfardini et al.	606/54
5,067,954	11/1991	Ilizarov	606/58
5,087,258	2/1992	Schewior	606/56

### DESCRIPTION

FIG. 1 is a perspective view of an external fixation wire retainer;

FIG. 2 is an end view thereof;

FIG. 3 is an end view thereof of the end opposite the end shown in FIG. 2;

FIG. 4 is a top plan view thereof;

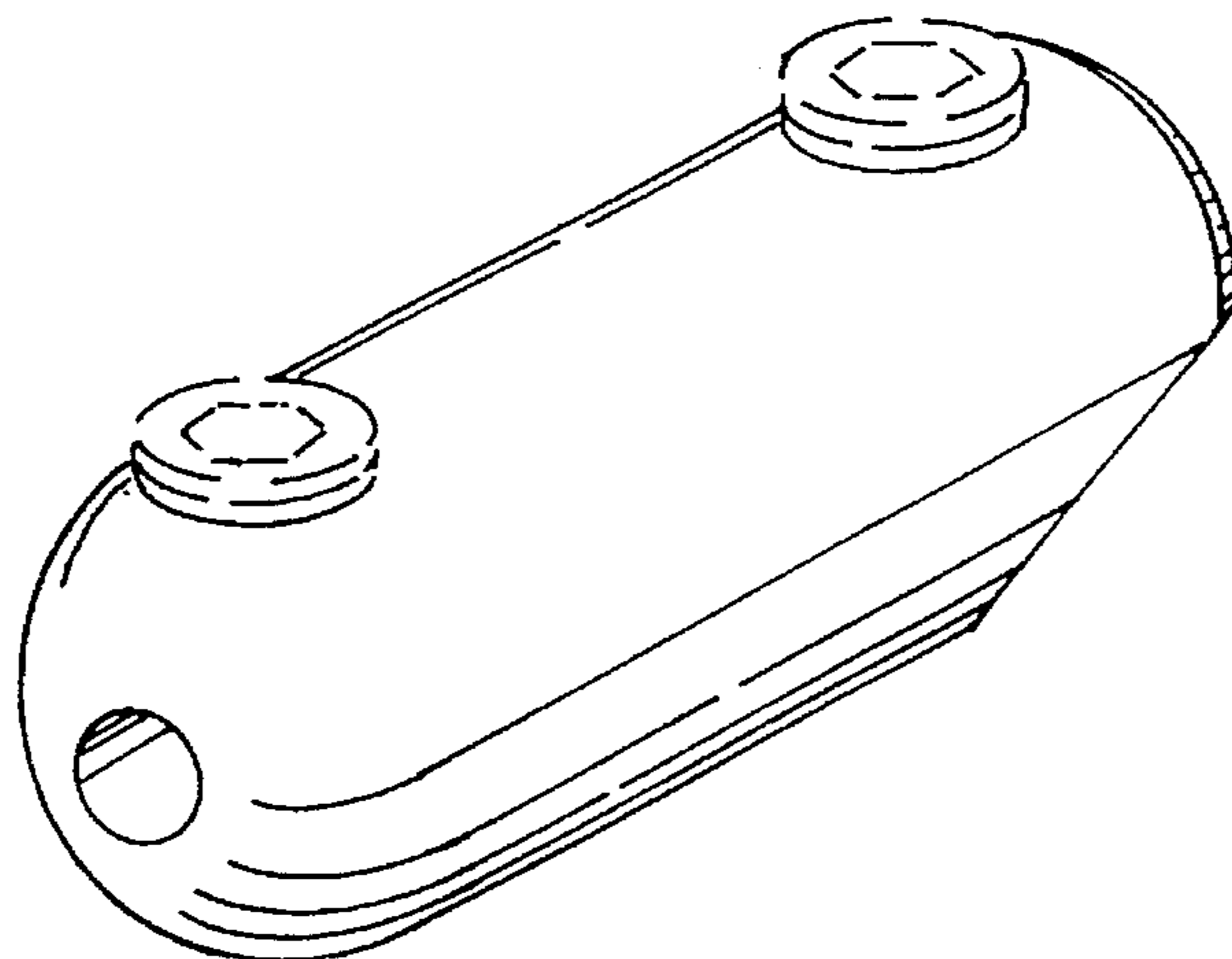
FIG. 5 is a bottom plan view thereof;

FIG. 6 is a side elevational view thereof; and,

FIG. 7 is a side elevational view thereof of the side opposite the side shown in FIG. 6.

The broken line showing of the set screws in FIGS. 1-7 is for illustrative purposes only and forms no part of the claimed design.

1 Claim, 1 Drawing Sheet



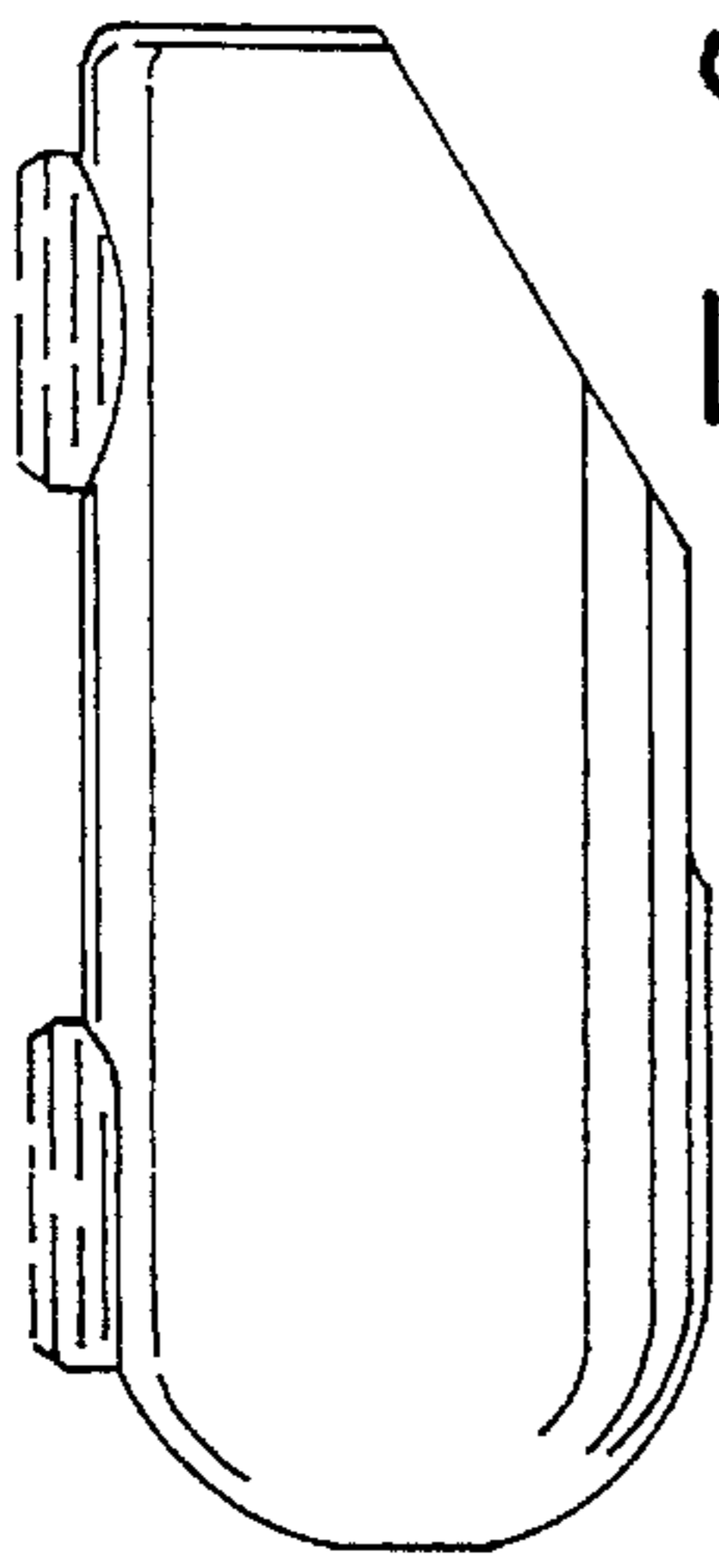


FIG. 1

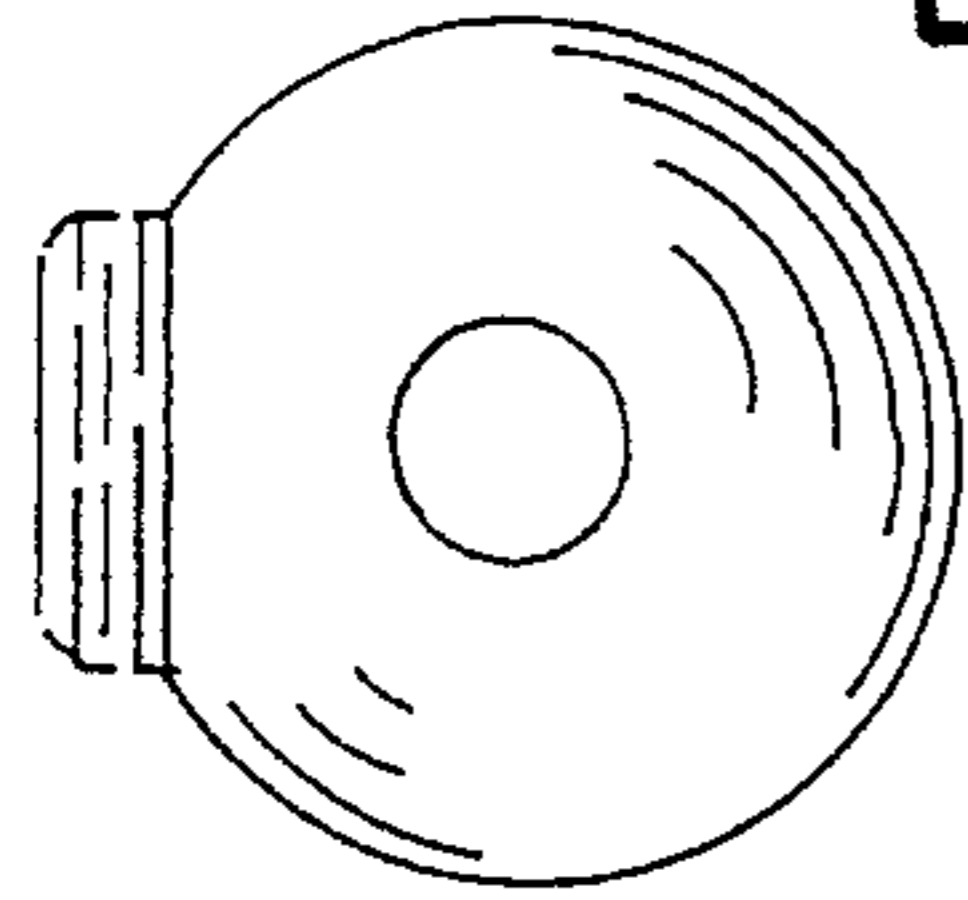


FIG. 2

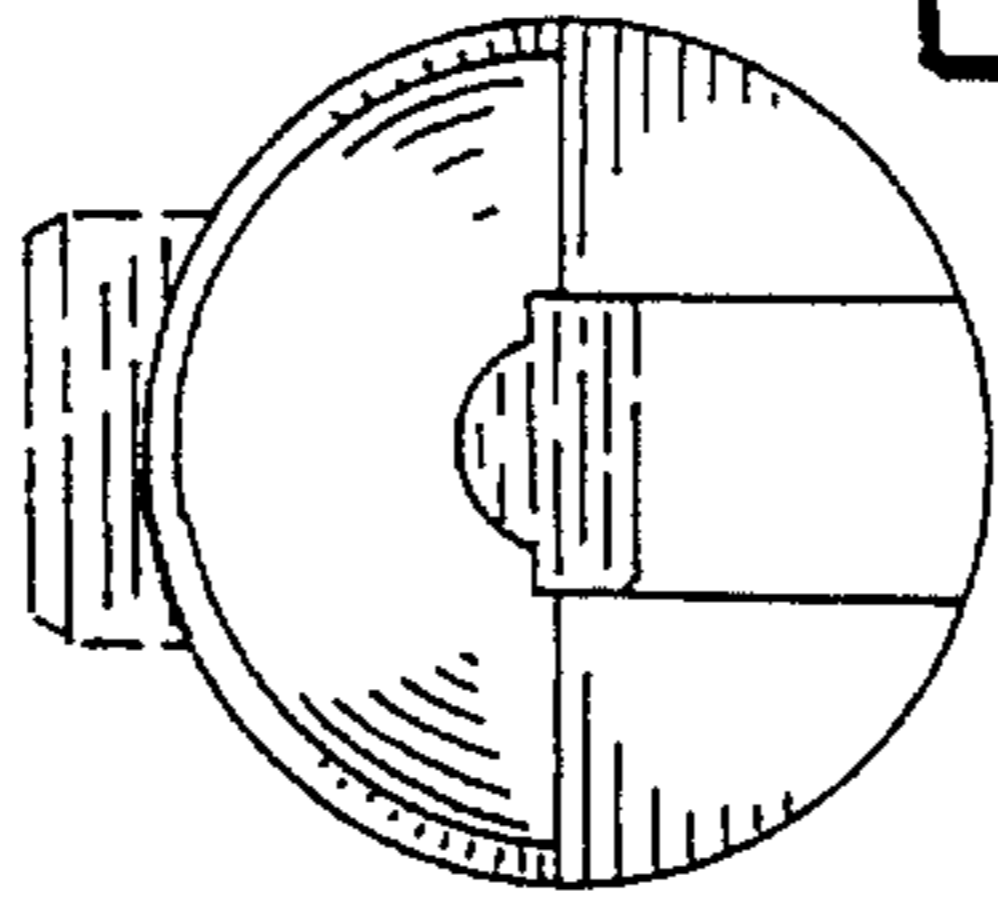


FIG. 3

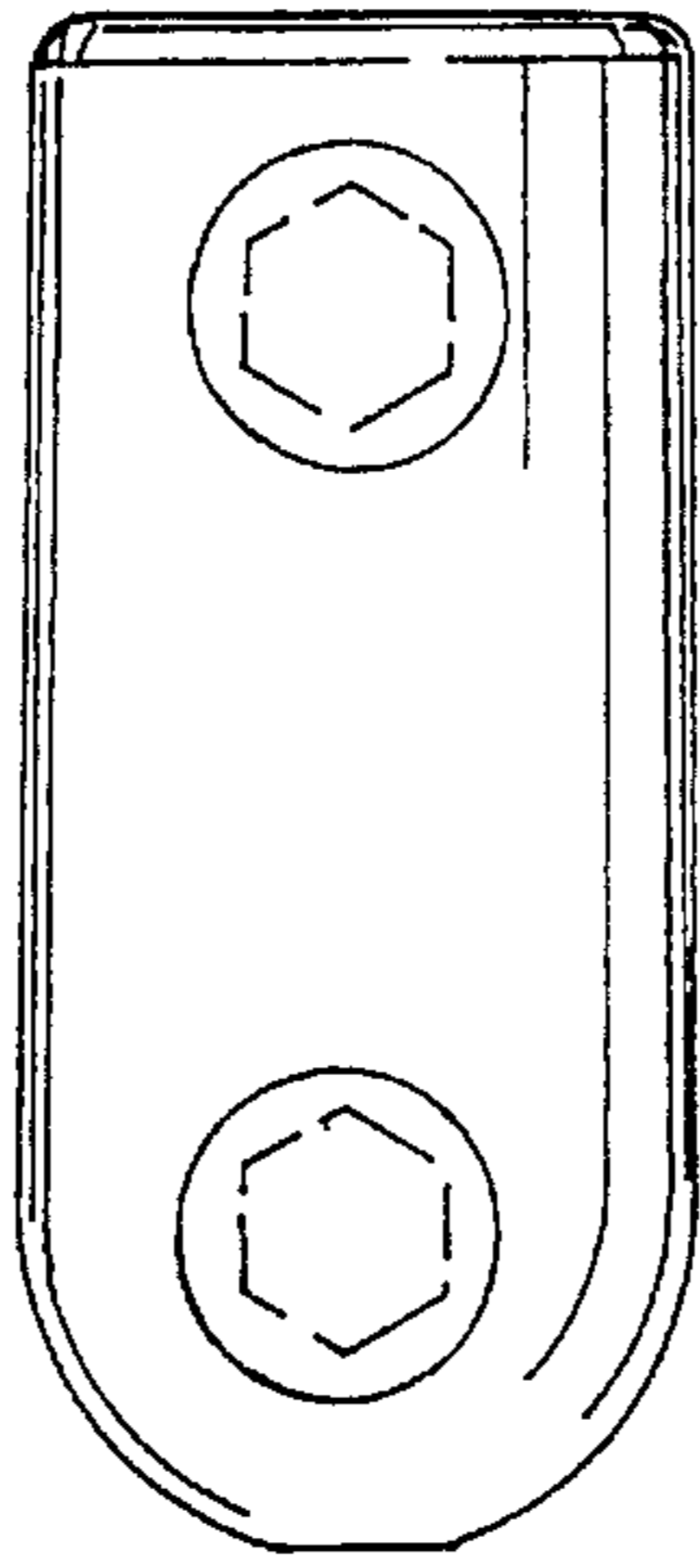


FIG. 4

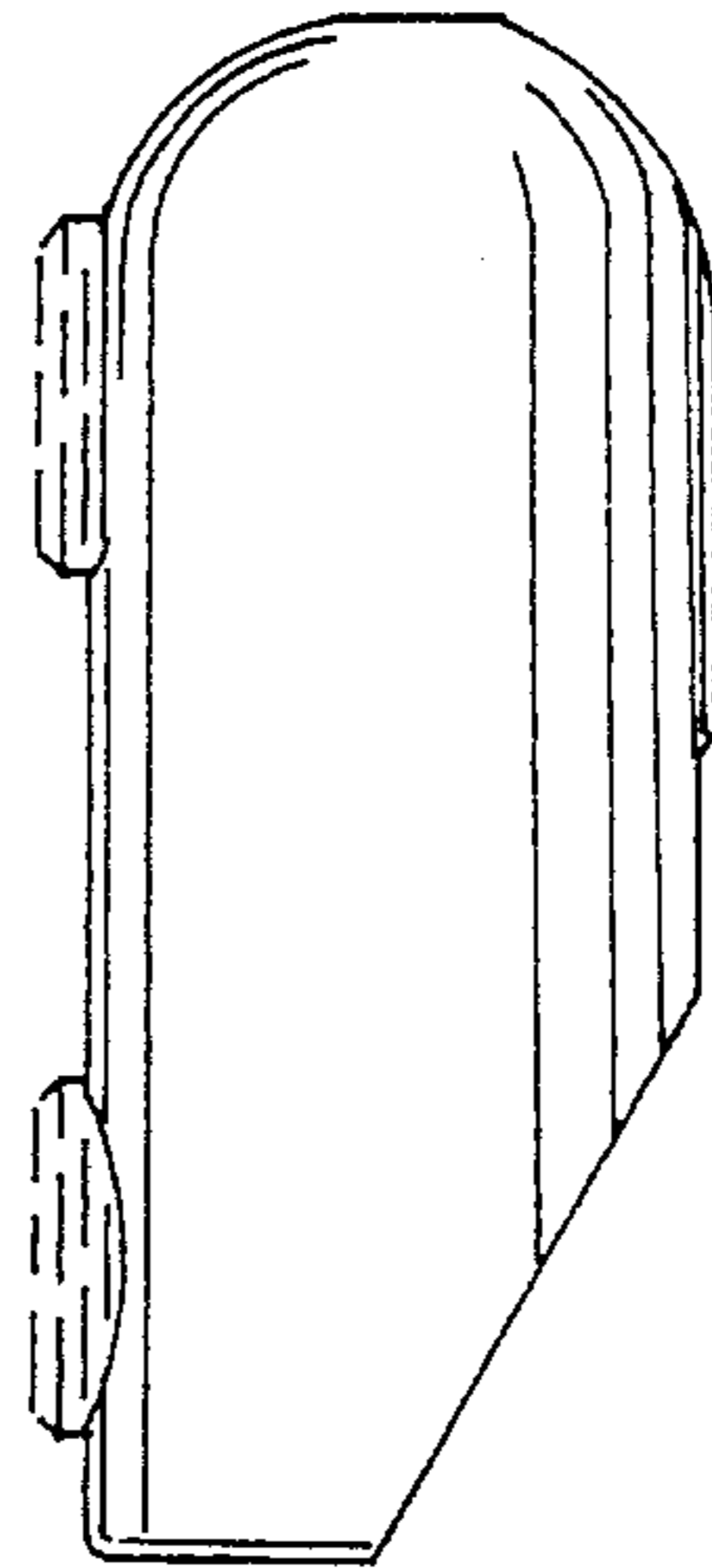


FIG. 5

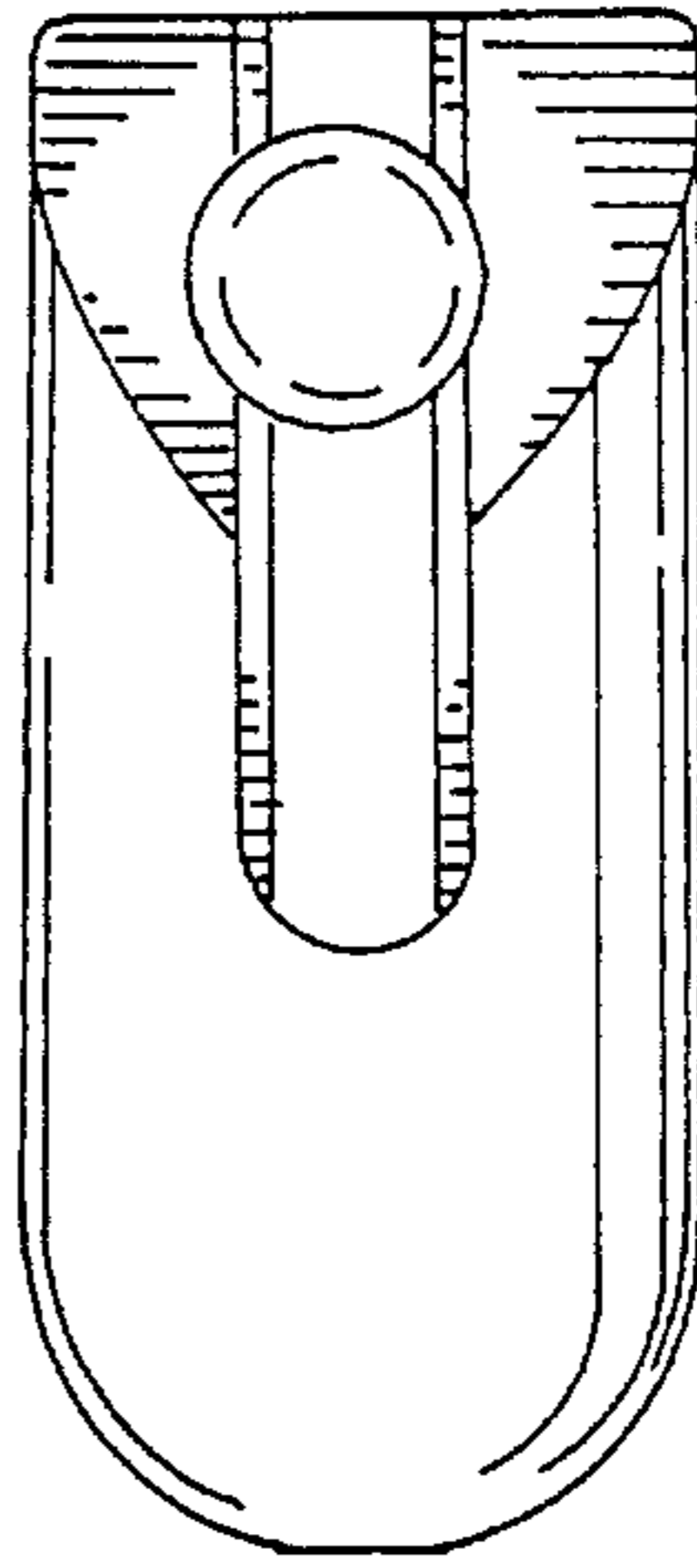


FIG. 6

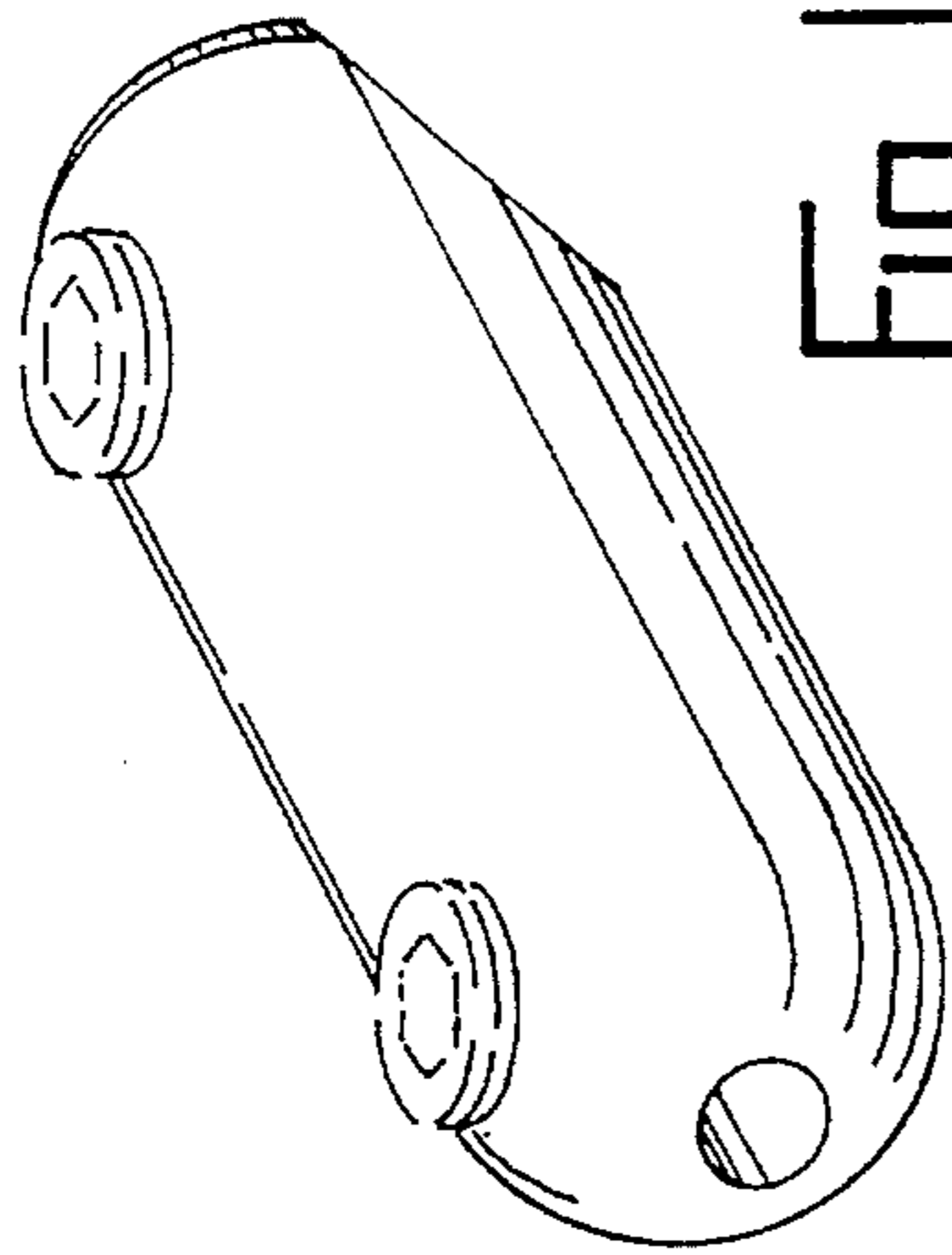


FIG. 7