



US00D373631S

# United States Patent [19]

Maeda et al.

[11] Patent Number: **Des. 373,631**

[45] Date of Patent: **\*\*Sep. 10, 1996**

[54] **ORAL CAVITY CLEANER**

4,236,889 12/1980 Wright ..... 433/88  
5,218,956 6/1993 Handler et al. .... 433/80

[75] Inventors: **Yasunari Maeda; Taro Mochida**, both of Kadoma, Japan

### OTHER PUBLICATIONS

Philips brochure, Philips Water Jet.

[73] Assignee: **Matsushita Electric Works, Ltd.**, Osaka, Japan

*Primary Examiner*—Kay H. Chin

*Attorney, Agent, or Firm*—Leydig, Voit & Mayer

[\*\*] Term: **14 Years**

### [57] CLAIM

[21] Appl. No.: **35,380**

The ornamental design for an oral cavity cleaner, as shown and described.

[22] Filed: **Feb. 27, 1995**

### DESCRIPTION

[30] **Foreign Application Priority Data**

Aug. 31, 1994 [JP] Japan ..... 6-26404

[52] **U.S. Cl.** ..... **D24/111; D24/176**

[58] **Field of Search** ..... D24/111, 176, D24/112, 113, 177; 433/80-83, 87-90

FIG. 1 is a perspective view of an oral cavity cleaner showing our new design;

FIG. 2 is a front elevational view thereof;

FIG. 3 is a rear elevational view thereof;

FIG. 4 is a right side elevational view thereof, the opposite side being a mirror image of this view;

FIG. 5 is a top plan view thereof; and,

FIG. 6 is a bottom plan view thereof.

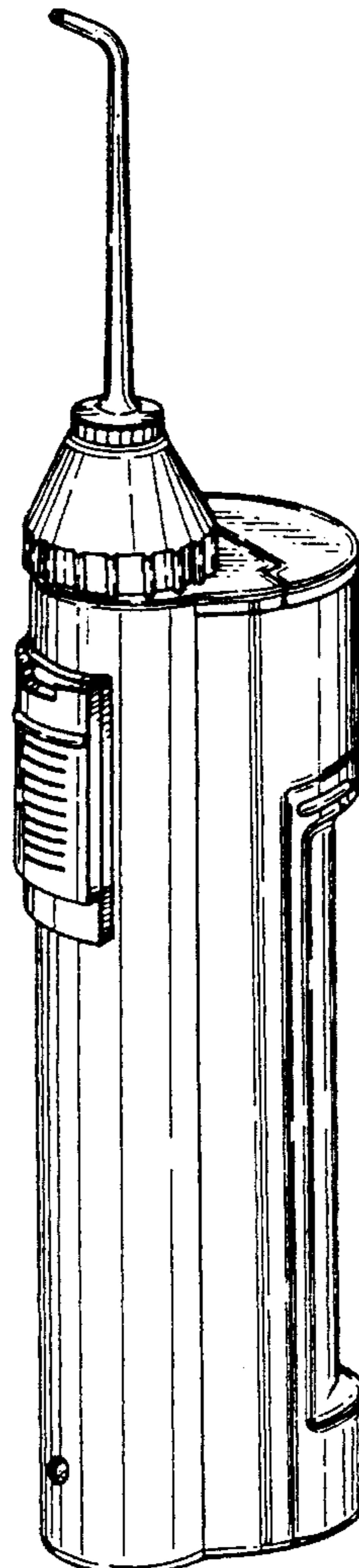
[56] **References Cited**

#### U.S. PATENT DOCUMENTS

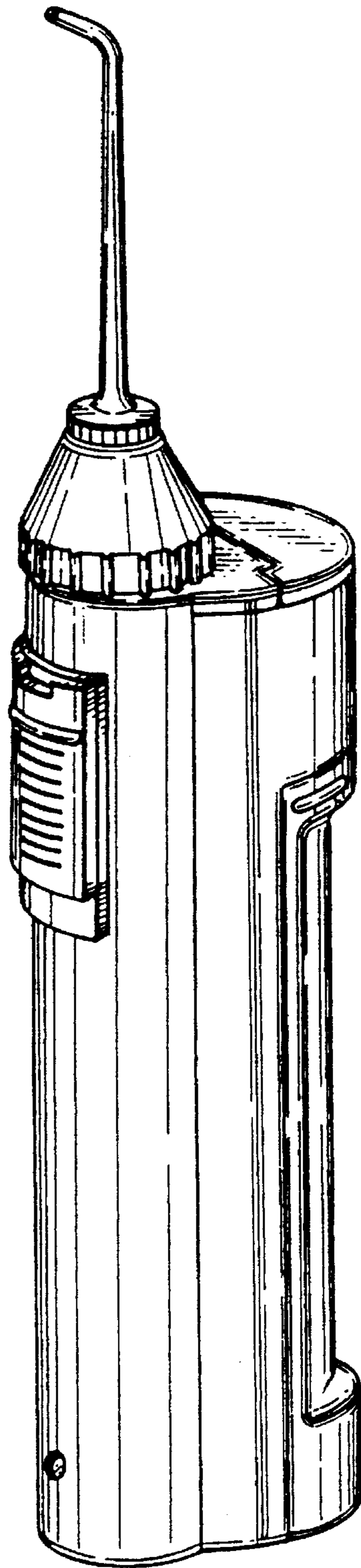
D. 322,314 12/1991 Ohbayashi ..... D24/111

D. 346,212 4/1994 Hösl ..... D24/176

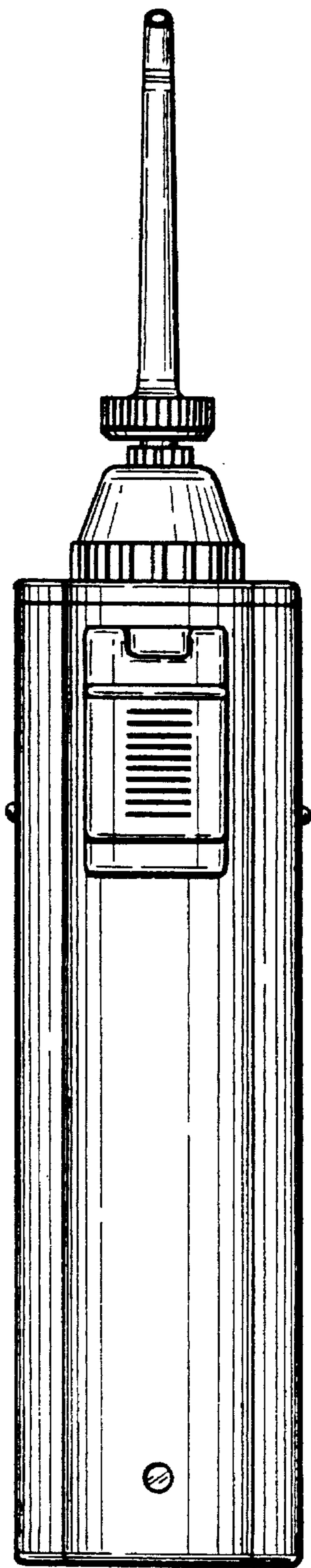
**1 Claim, 3 Drawing Sheets**



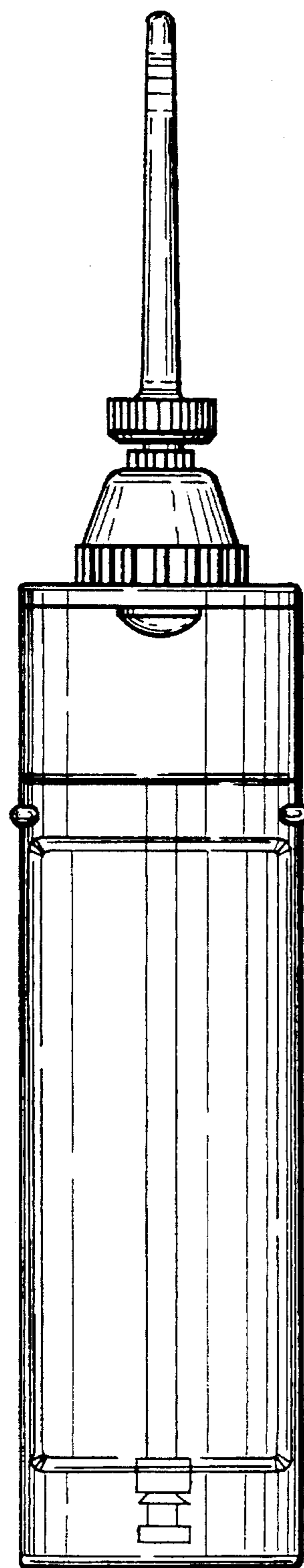
*Fig. 1*



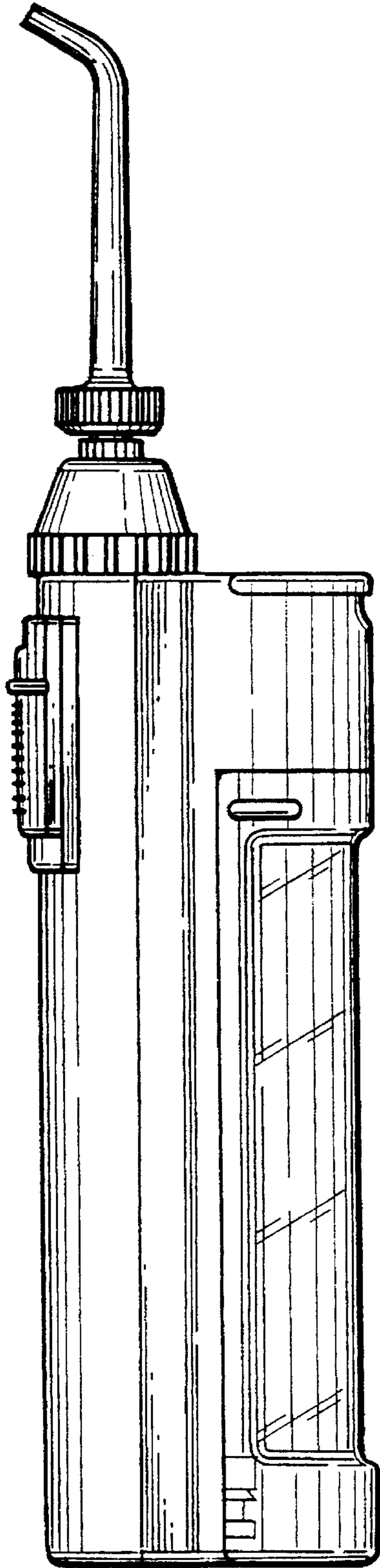
*Fig. 2*



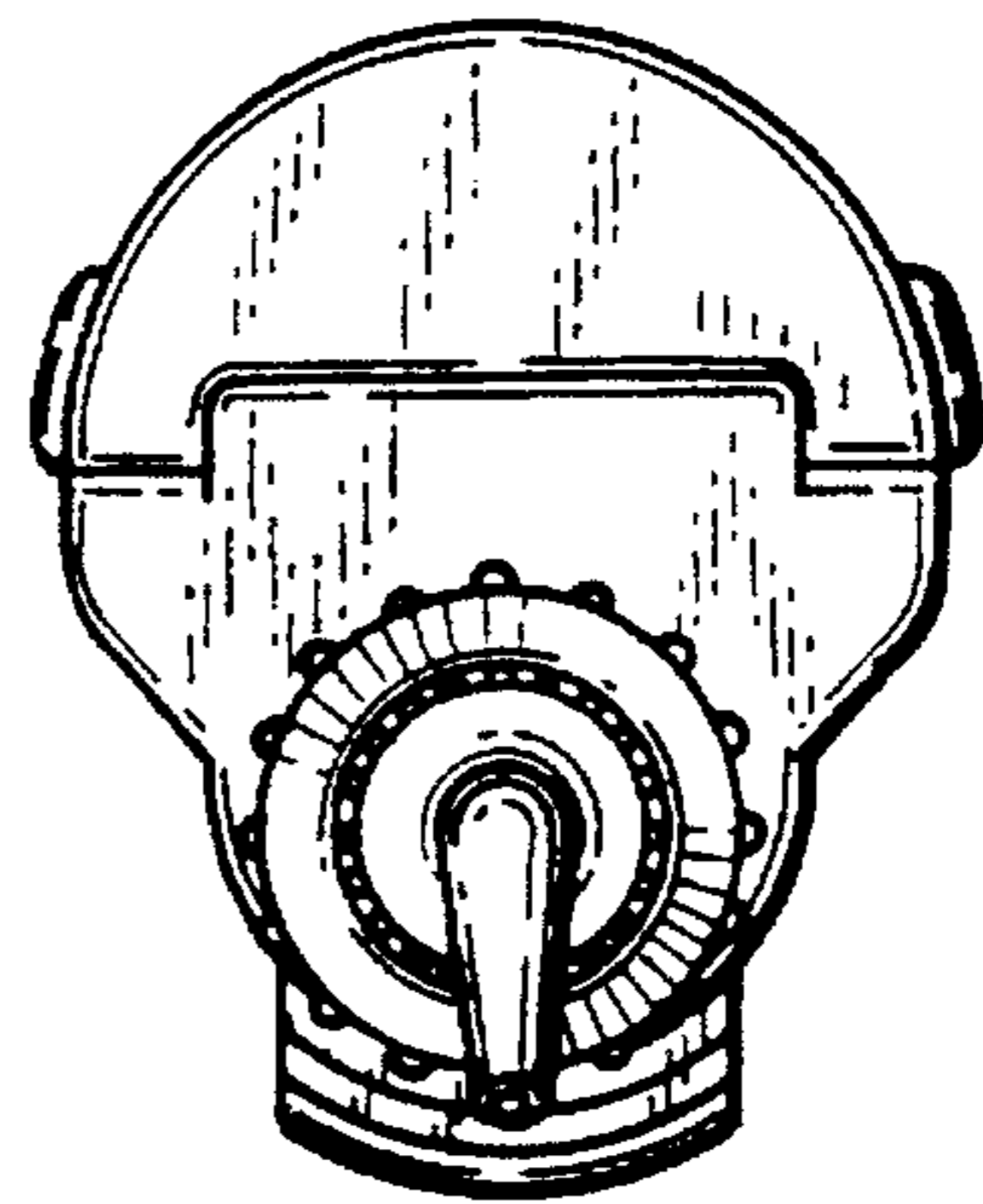
*Fig. 3*



*Fig. 4*



*Fig. 5*



*Fig. 6*

